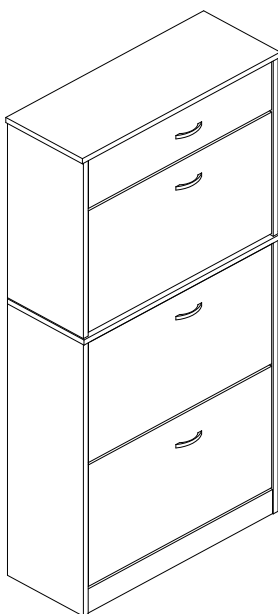




Assembly Instructions



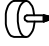



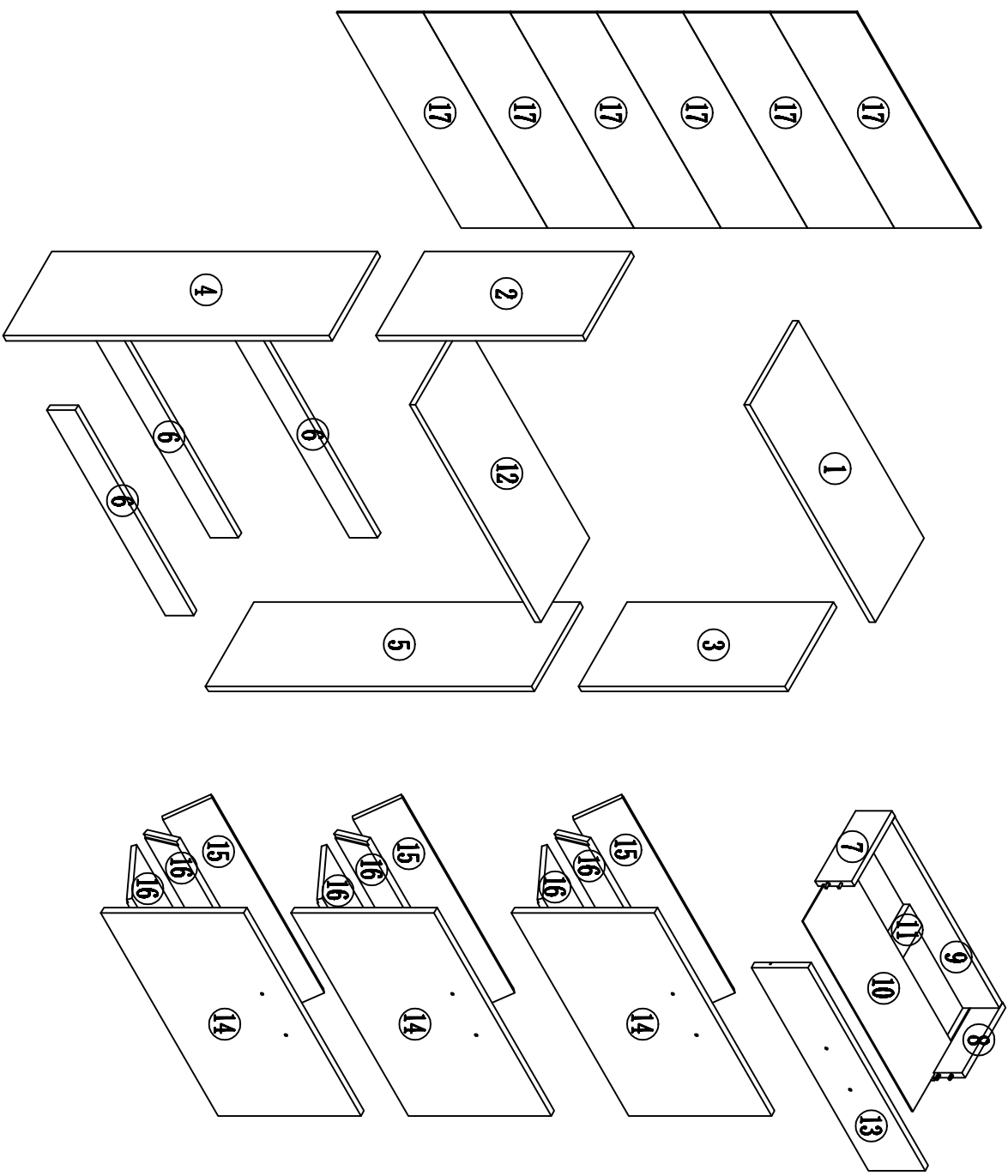
833-414BK / 833-414WT

Special Warnings:




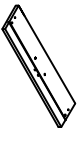
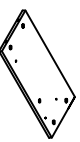












- * Please check that all parts are present before you start the assembly.
- * For the protection of your furniture, place all parts on a clean and smooth surface to prevent any damage.
- * For cleaning, wipe the surface with a damp (not wet) cloth or wipe dry with a clean lint free cotton cloth. Window cleaning liquid or a similar cleaning liquid can be used to clean the surface.
- * This unit is heavy. Please use an assistant when lifting. Never drag or push the pieces across the floor as this will cause damage to the joints.
- * Keep your furniture out of direct sunlight.

PARTS LIST

NO.	DESCRIPTION	QTY
A	 N6X34MM	22
B	 M15X12MM	22
C	 M6X30MM	10
D	 M3, 5X14MM	38
E	 M4X20MM	8
F	 Handle	4
G	 Neil pin	30
H	 SETS	3
I	 Nail Leg	4
J	 M4, 7X38MM	4
K		6
L		6
M	 SETS	2
N	 M6X20MM	6



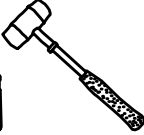



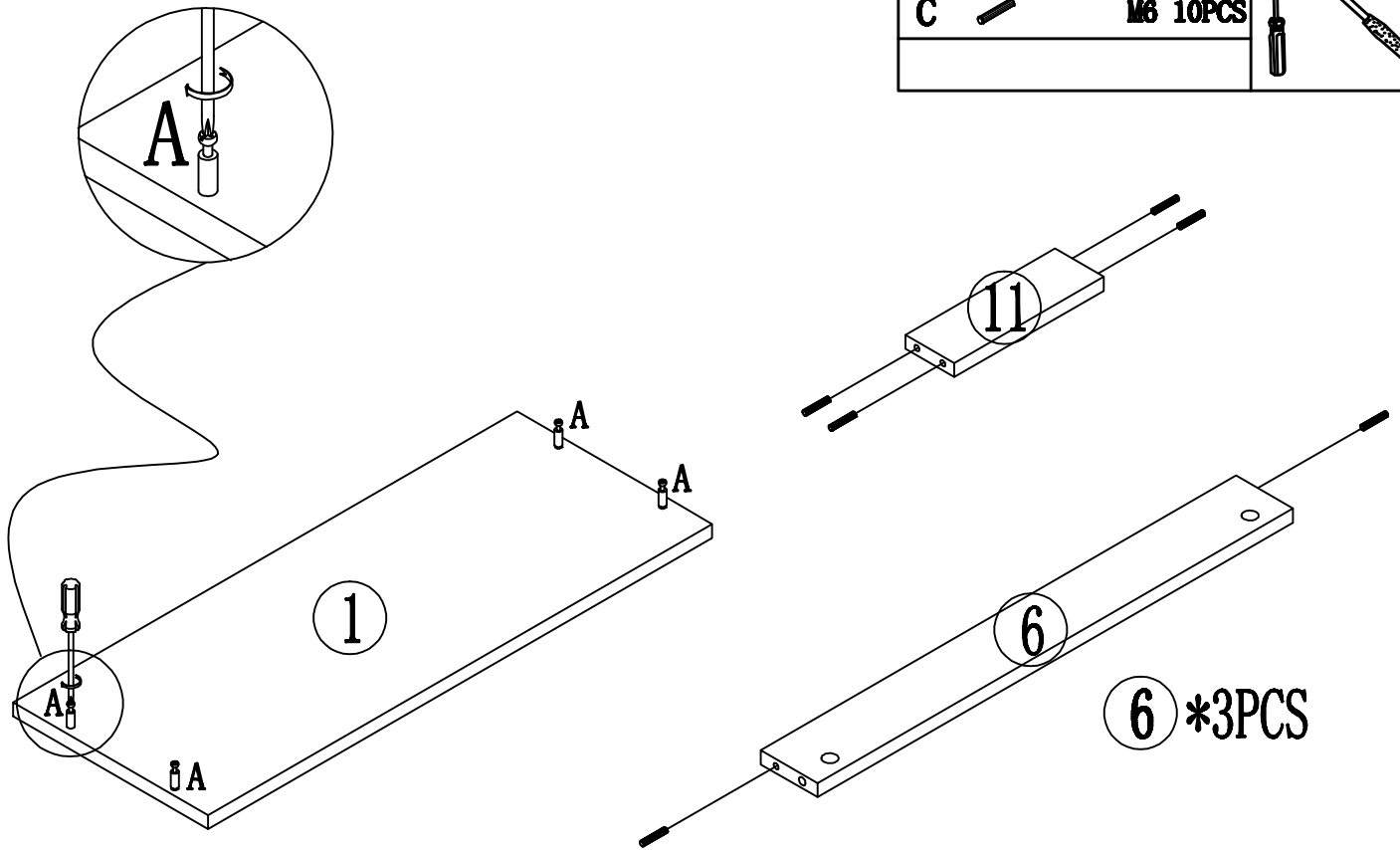
PARTS LIST

NO.	DESCRIPTION	QTY	NO.	DESCRIPTION	QTY
1	 620MM*240MM*1.5MM	1	12	 620MM*240MM*1.5MM	1
2	 510MM*238MM*1.5MM	1	13	 579MM*140MM*1.5MM	1
3	 510MM*238MM*1.5MM	1	14	 579MM*253MM*1.5MM	3
4	 797MM*238MM*1.5MM	1	15	 568MM*152MM*1.5MM	3
5	 797MM*238MM*1.5MM	1	16	 568MM*117MM*1.5MM	6
6	 585MM*70MM*1.5MM	3	17	 614MM*214MM*3MM	6
7	 200MM*90MM*1.5MM	1			
8	 200MM*90MM*1.5MM	1			
9	 531MM*90MM*1.5MM	1			
10	 542MM*195MM*3MM	1			
11	 184MM*60MM*1.5MM	1			

STEP 1




HARDWARE LIST

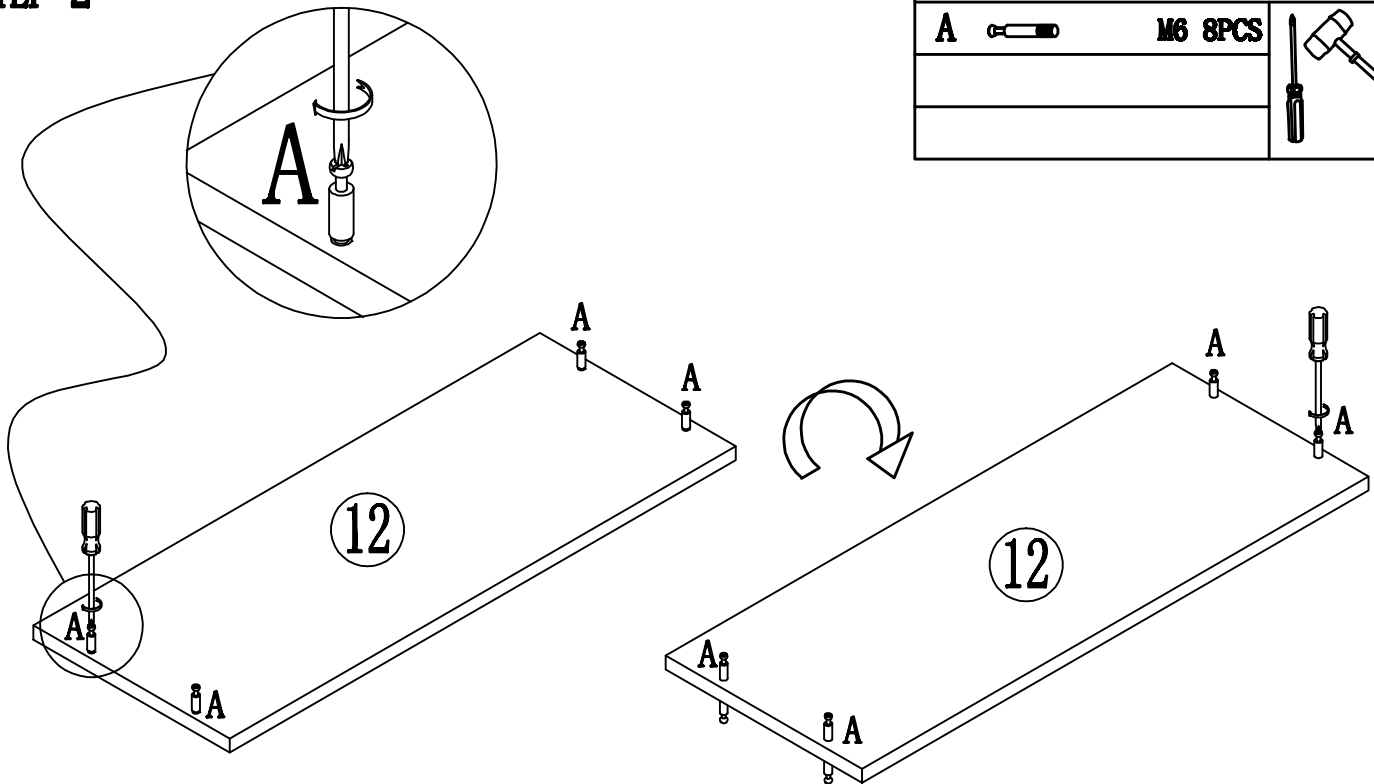
A		M6 4PCS	 
C		M6 10PCS	



STEP 2

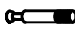



HARDWARE LIST

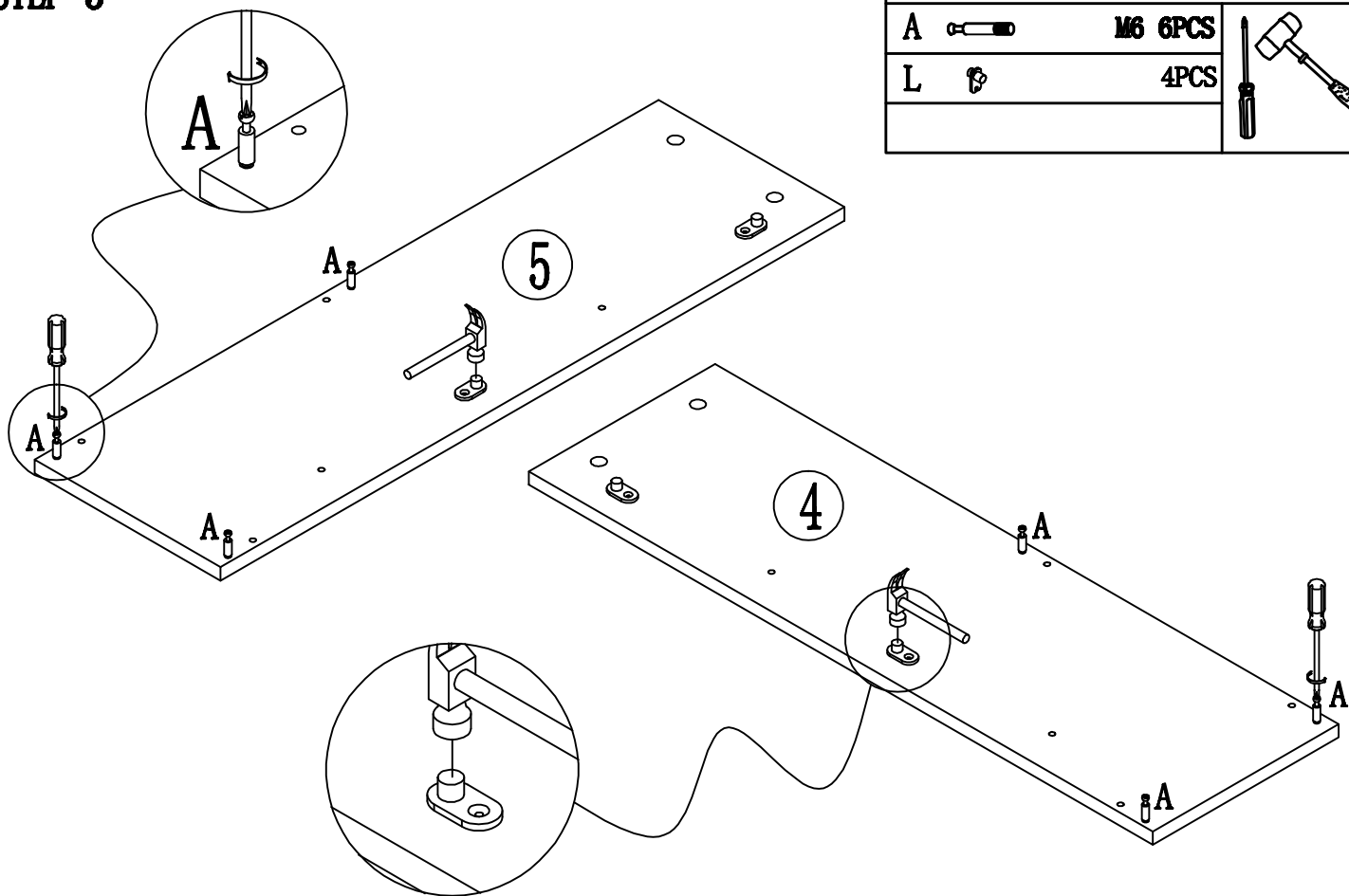
A		M6 8PCS	 



STEP 3






HARDWARE LIST

A		M6 6PCS	 
L		4PCS	



STEP 4

HARDWARE LIST

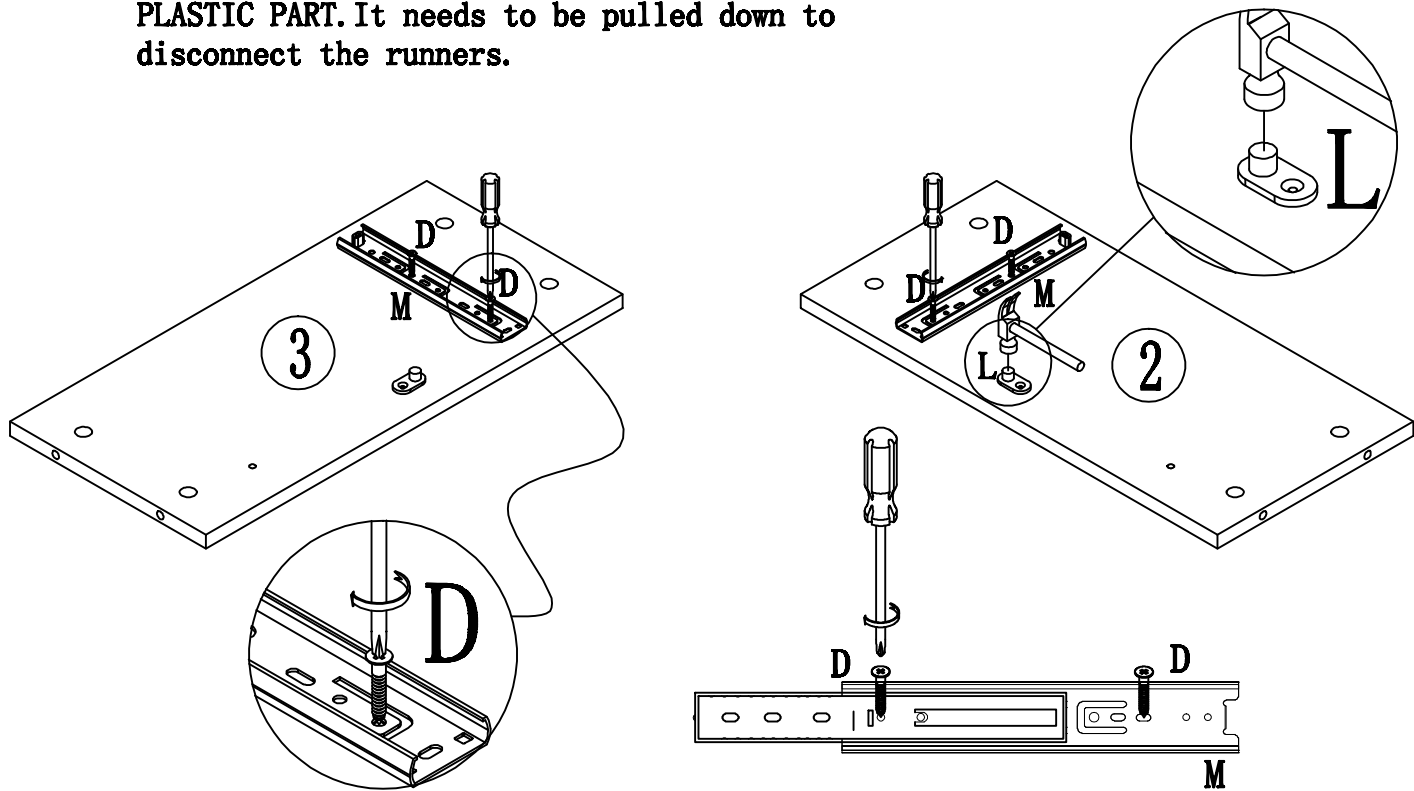
D		4PCS	 
L		2PCS	
M		2PCS	



Pull out

Push

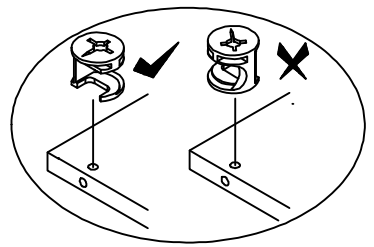
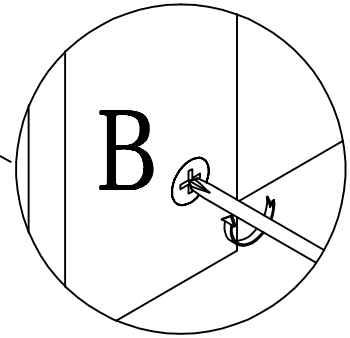
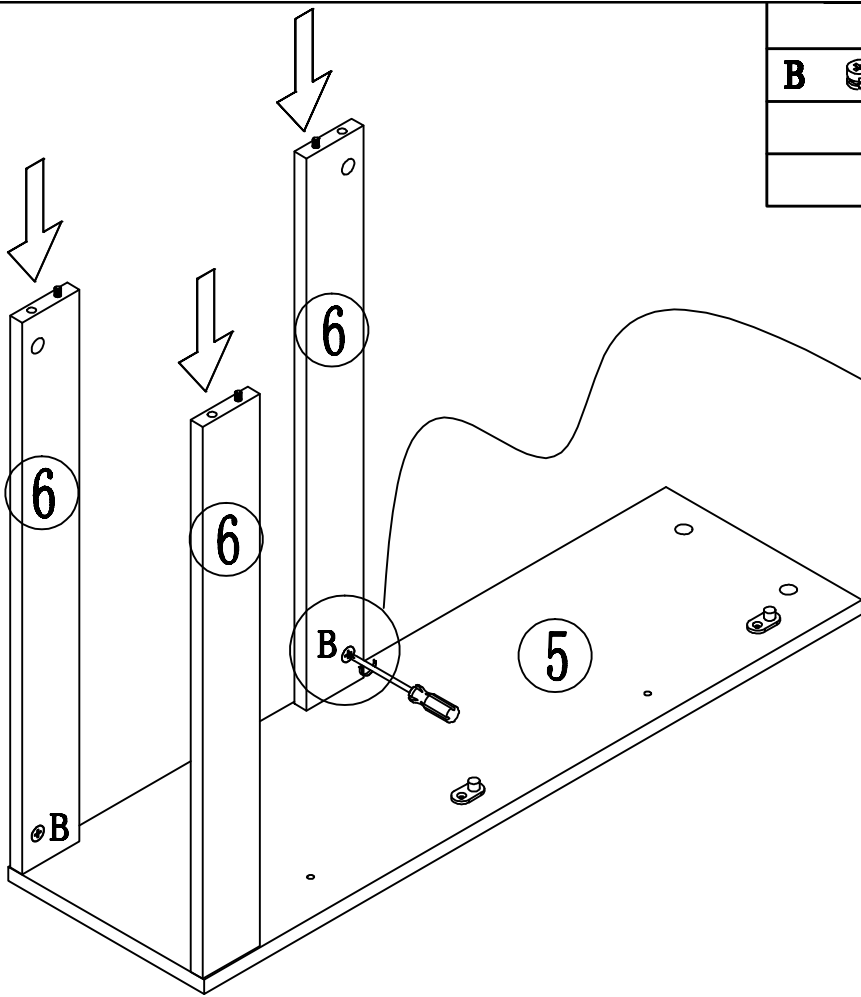
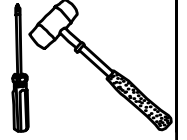
Disconnect the keyboard rail with the BLACK PLASTIC PART. It needs to be pulled down to disconnect the runners.



STEP 5

HARDWARE LIST

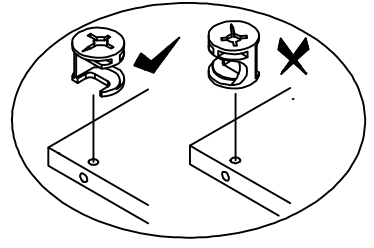
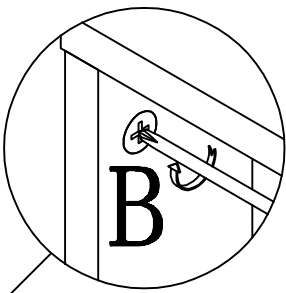
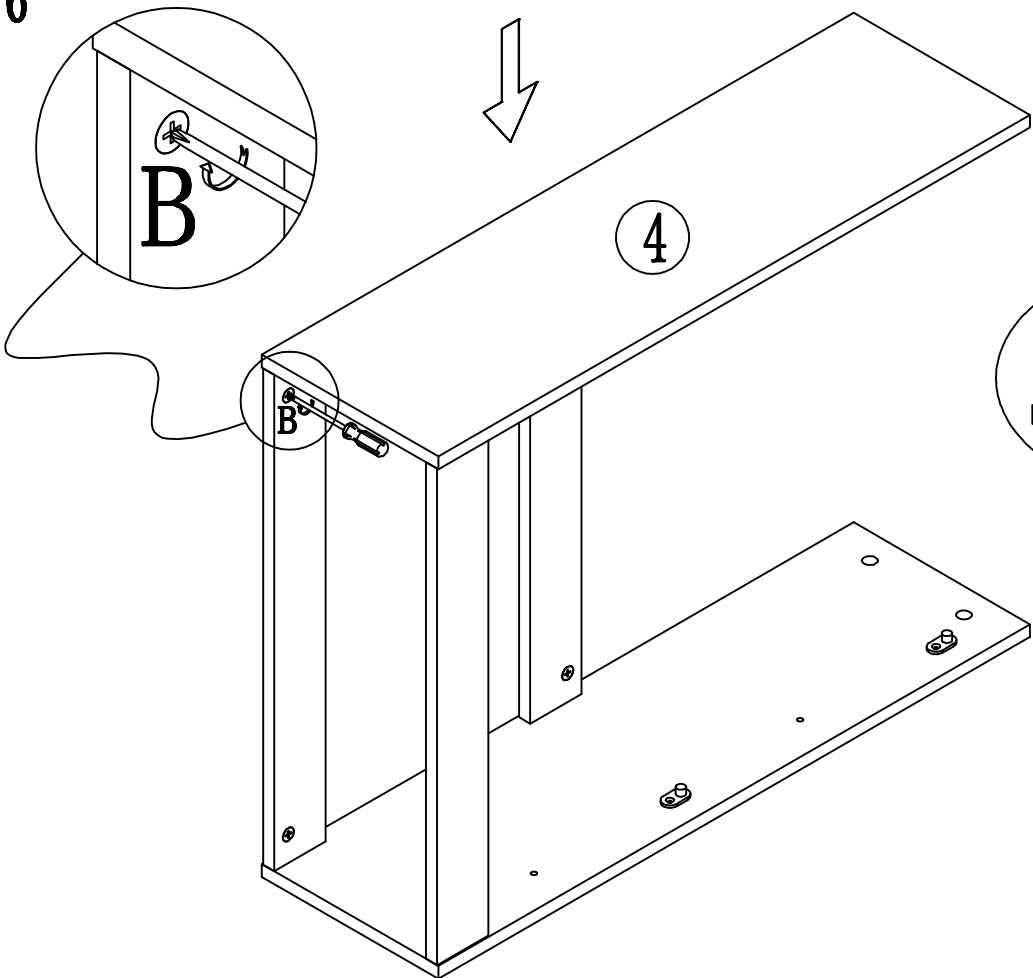
B  3PCS



STEP 6




HARDWARE LIST

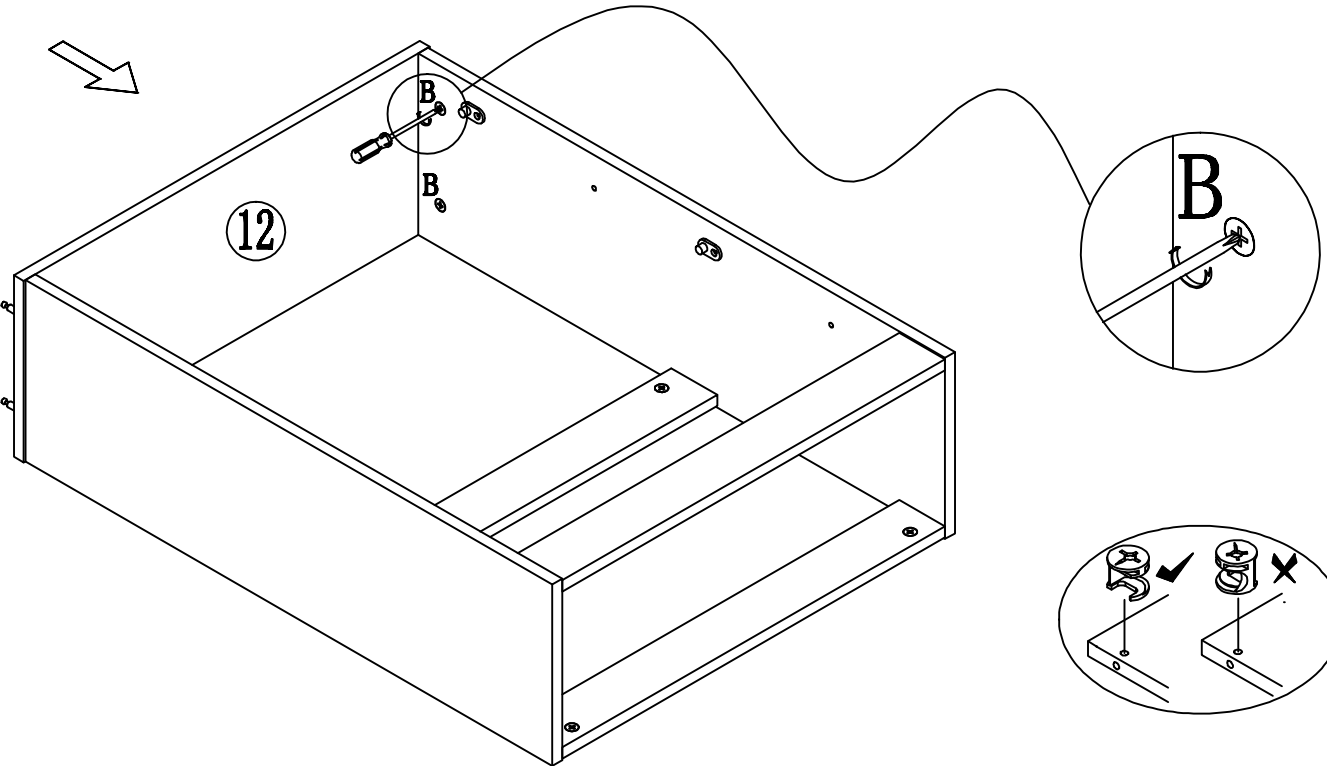
B  3PCS



STEP 7


HARDWARE LIST

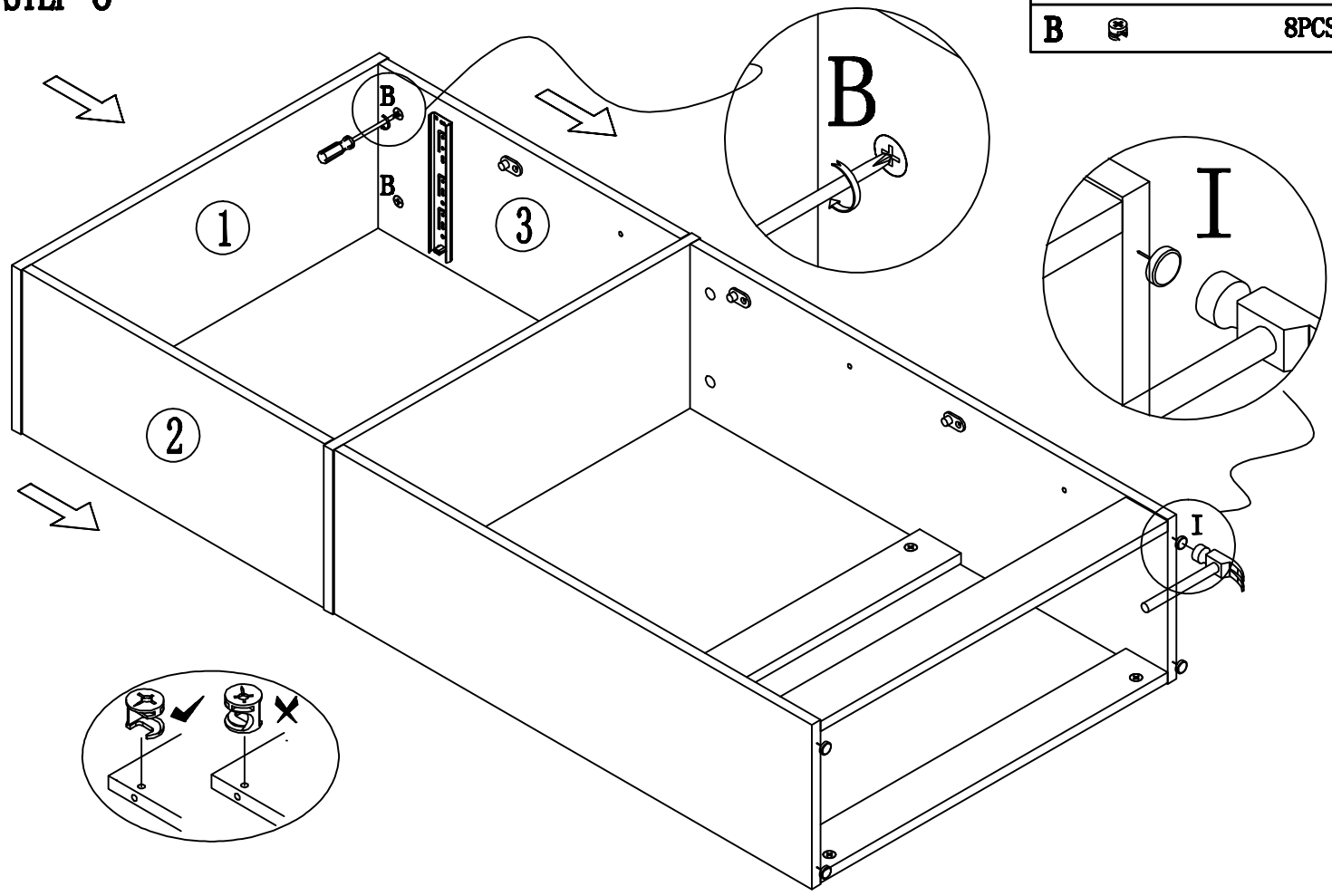
B		4PCS	 



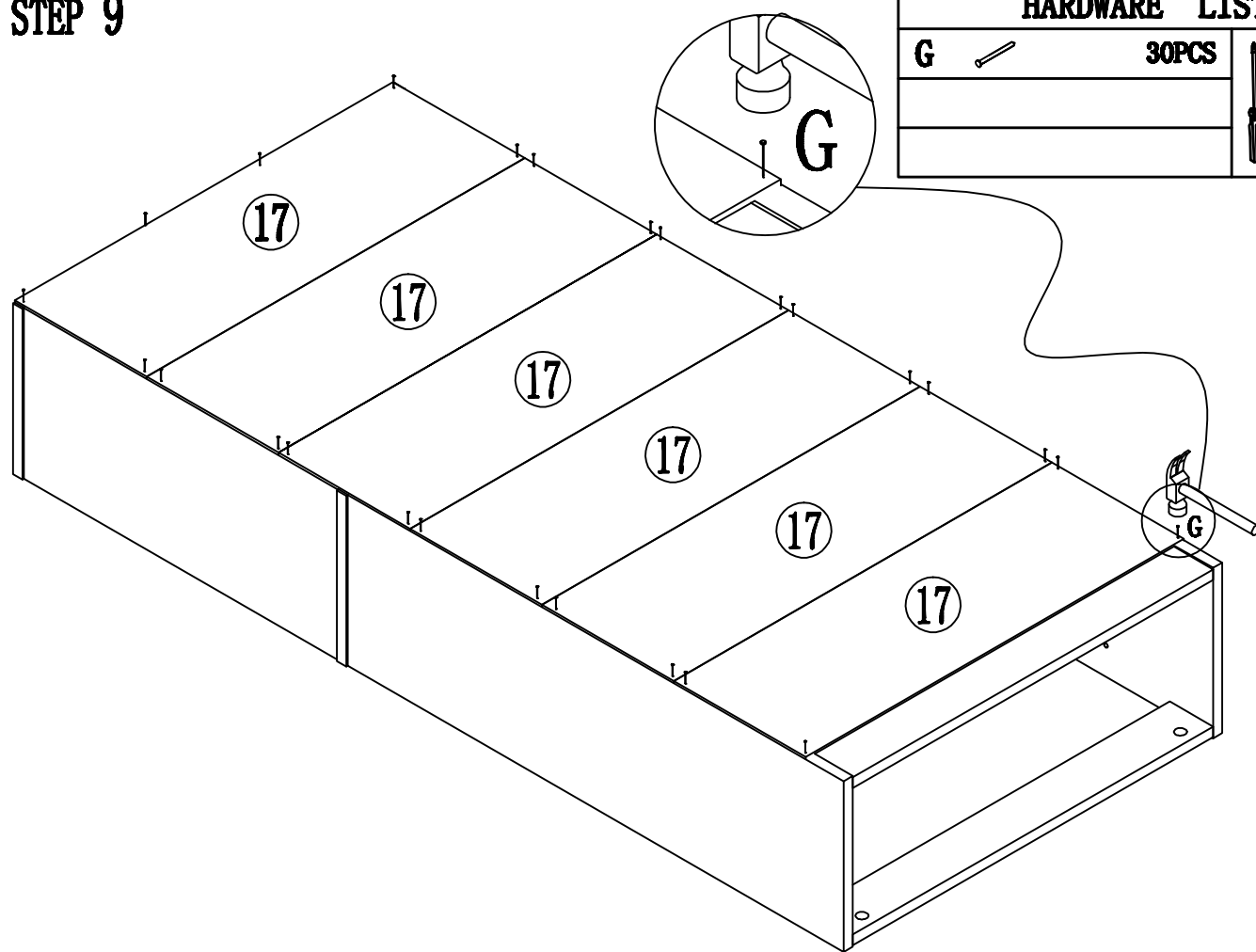
STEP 8

HARDWARE LIST

B		8PCS
---	---	------



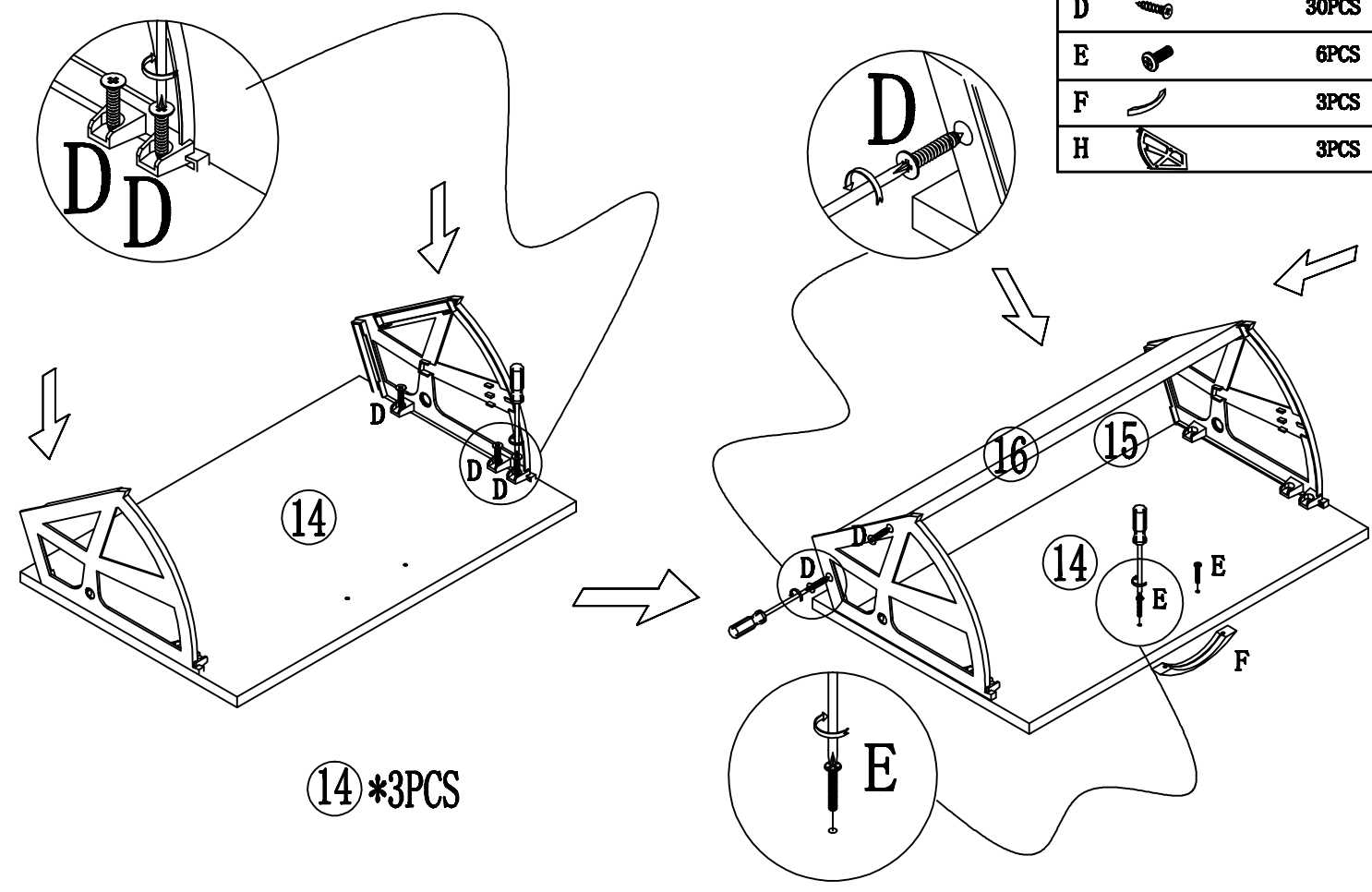
STEP 9



HARDWARE LIST

G		30PCS	

STEP 10



HARDWARE LIST

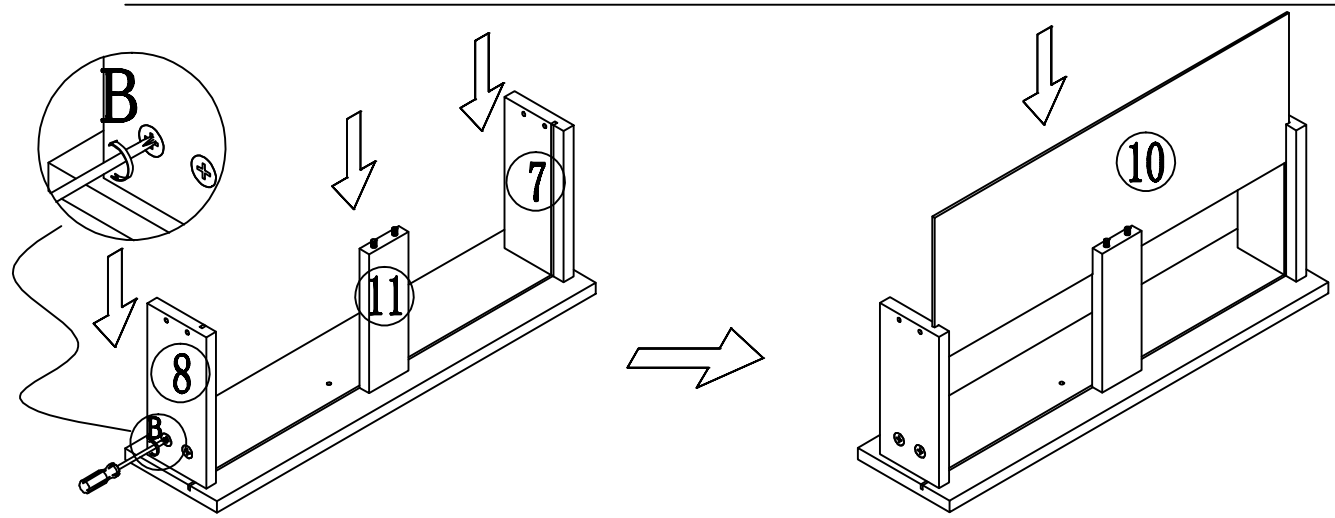
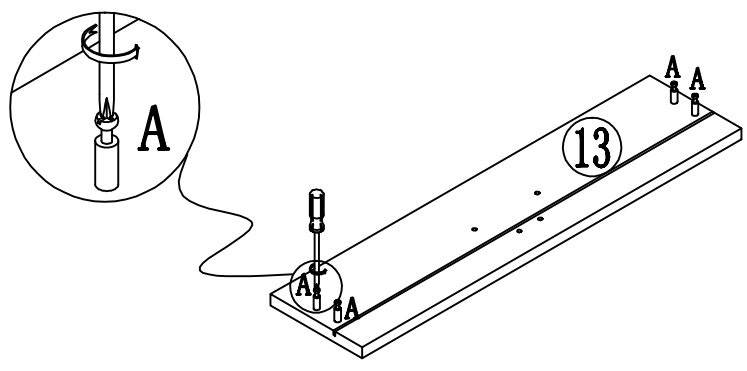
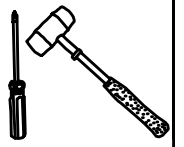
D		30PCS
E		6PCS
F		3PCS
H		3PCS

⑭ *3PCS

STEP 11






HARDWARE LIST

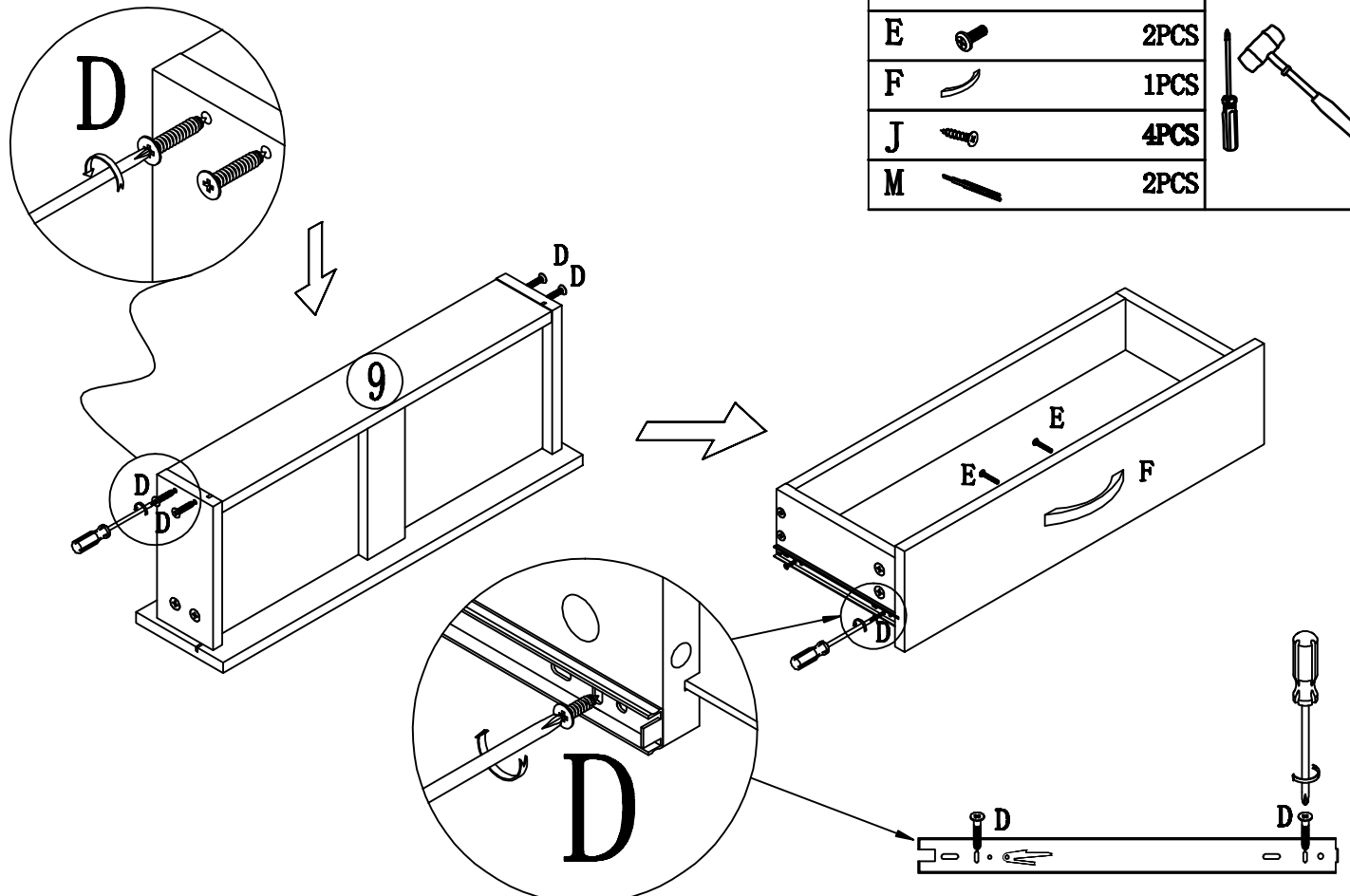
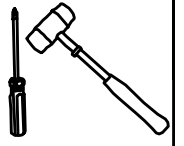
A		M6	4PCS
B			4PCS



STEP 12

HARDWARE LIST

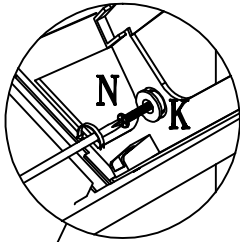
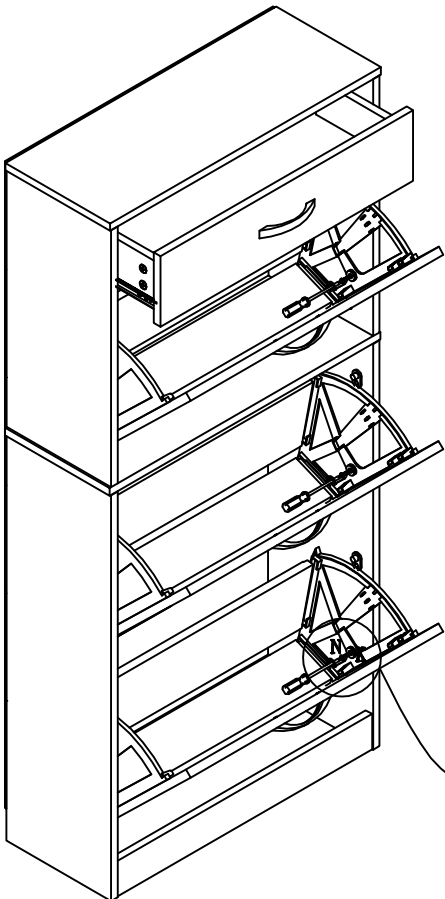
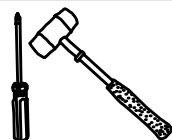
D			4PCS
E			2PCS
F			1PCS
J			4PCS
M			2PCS



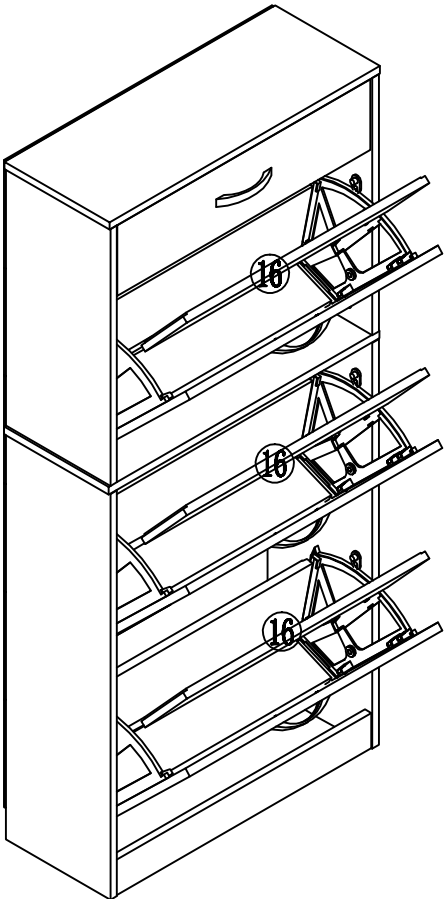
STEP 13

HARDWARE LIST

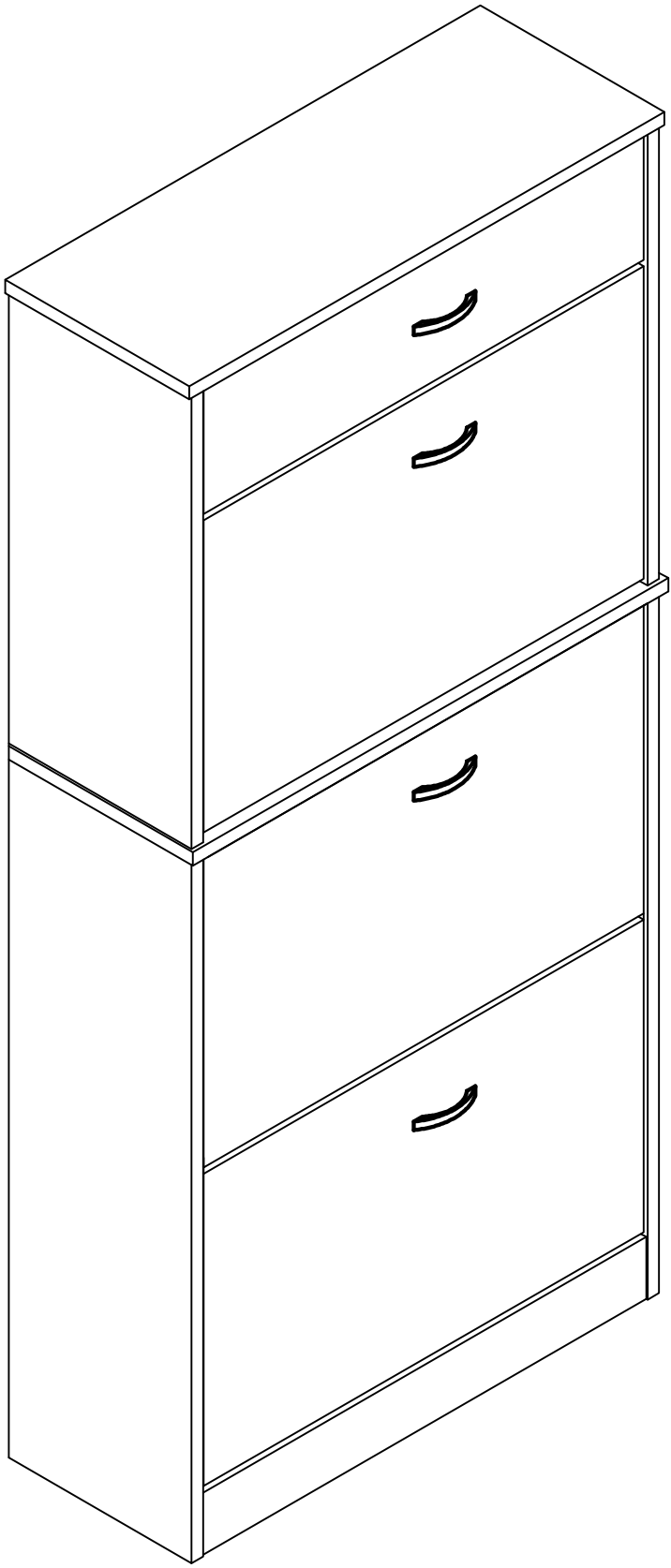
K		6PCS
N		6PCS



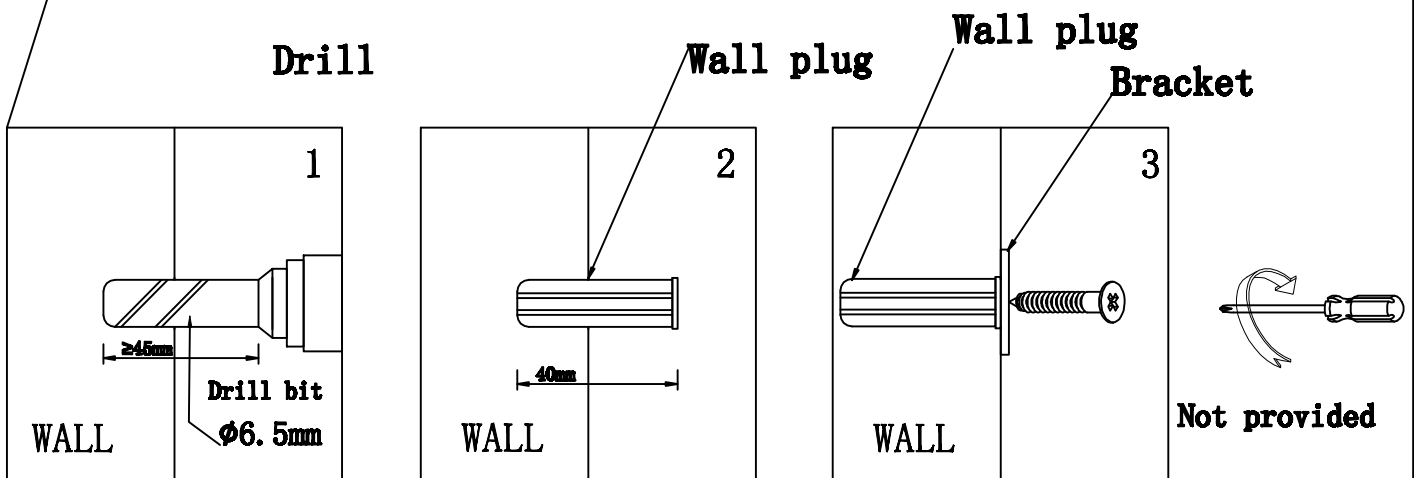
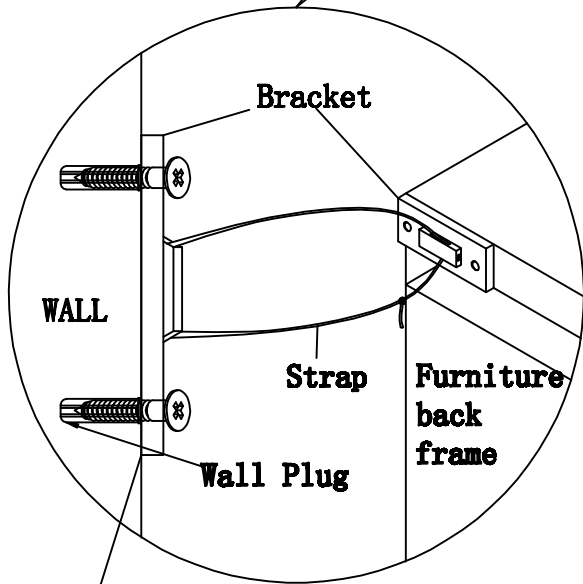
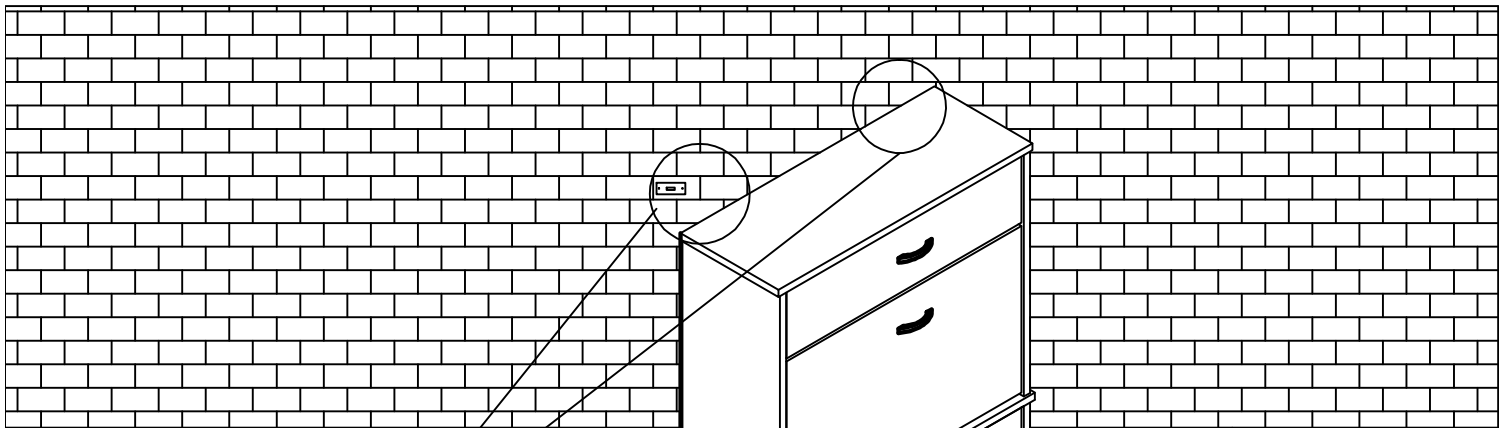
STEP 14



STEP 15



OK



(for installation of bracket onto concrete wall)

Philip screwdriver is required to install the bracket to the wall and furniture back frame. For concrete wall-a Drill is required.

Note:Screwdriver,Drill&drill bit are not provided.