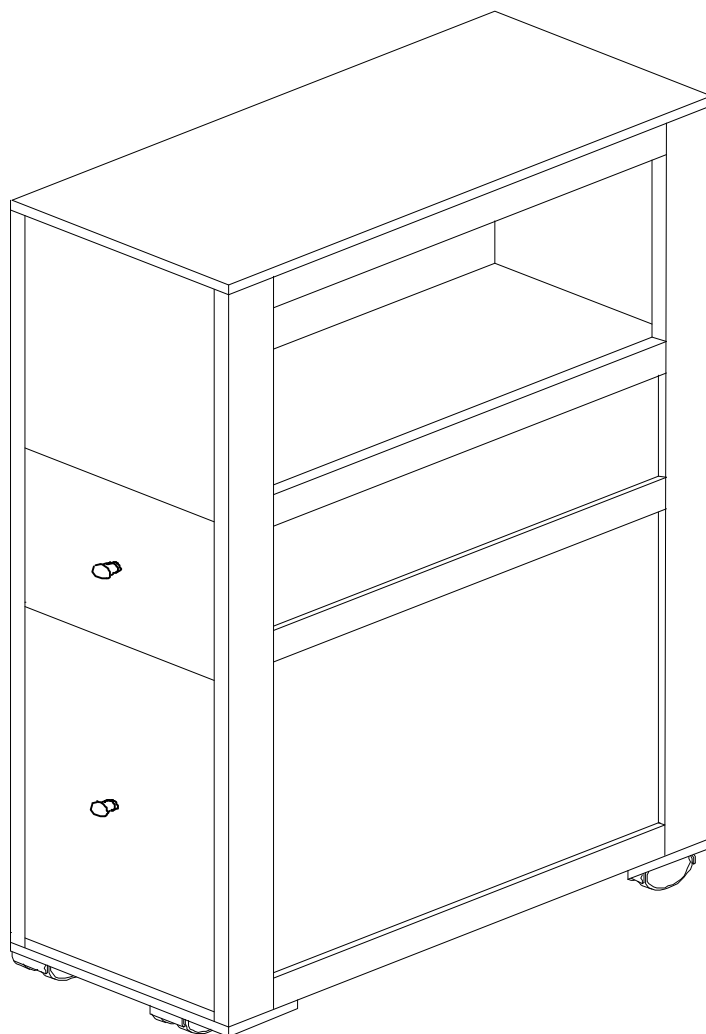
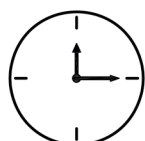




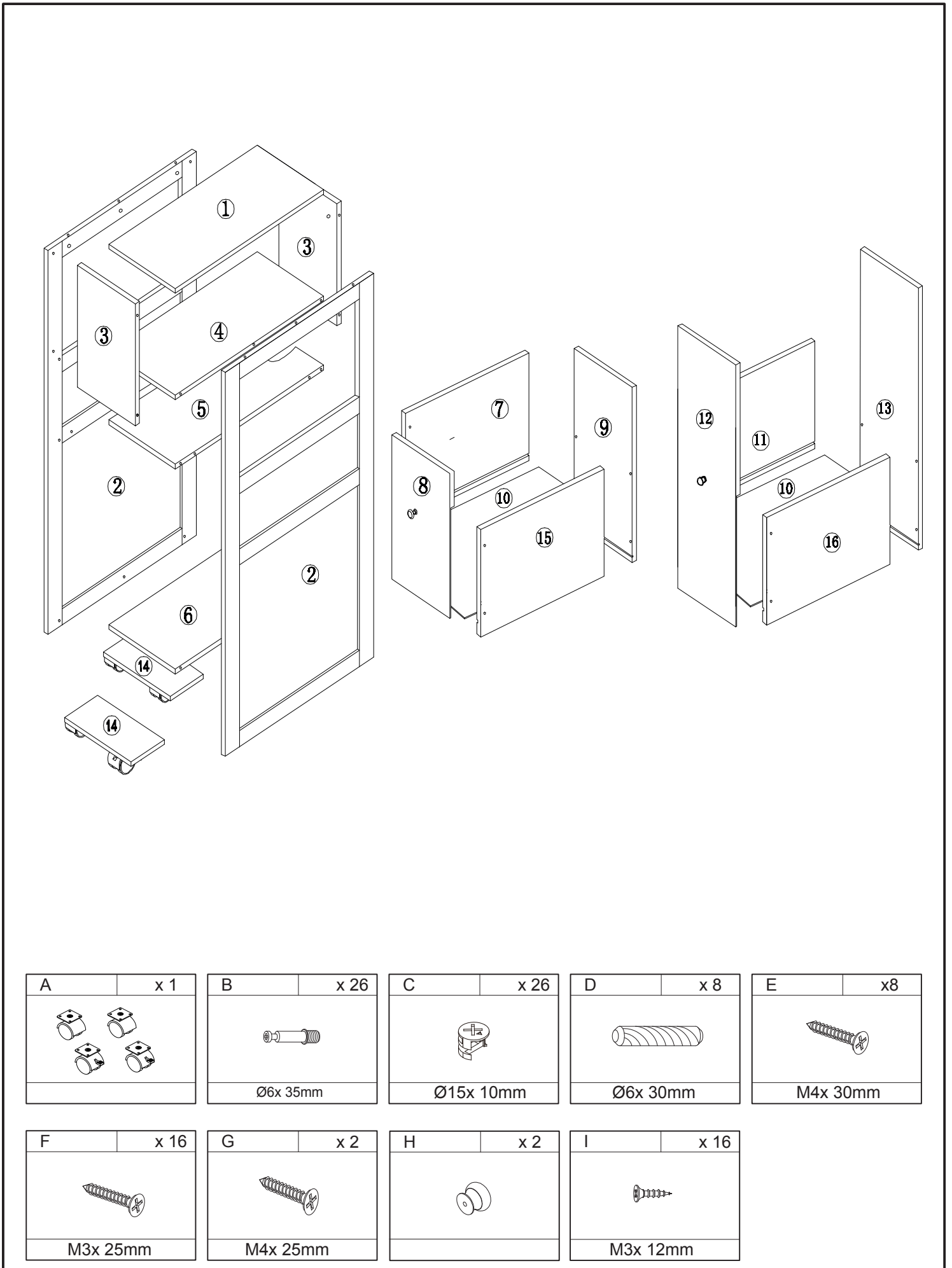
834-180
834-180V01



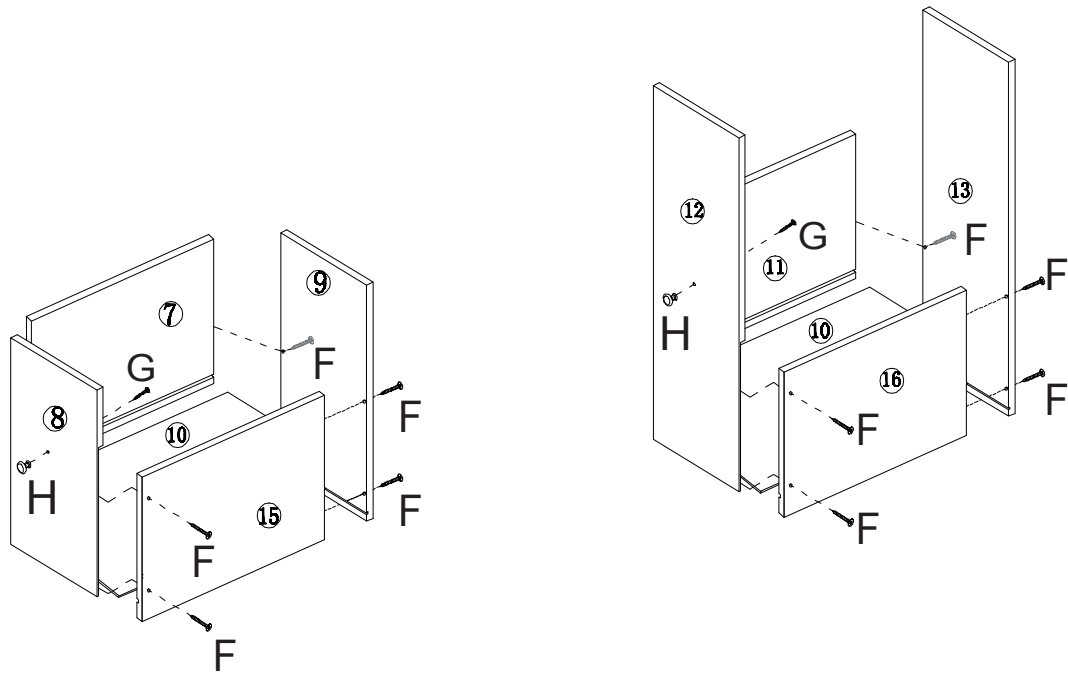
2 PERS.

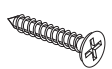




60 MIN

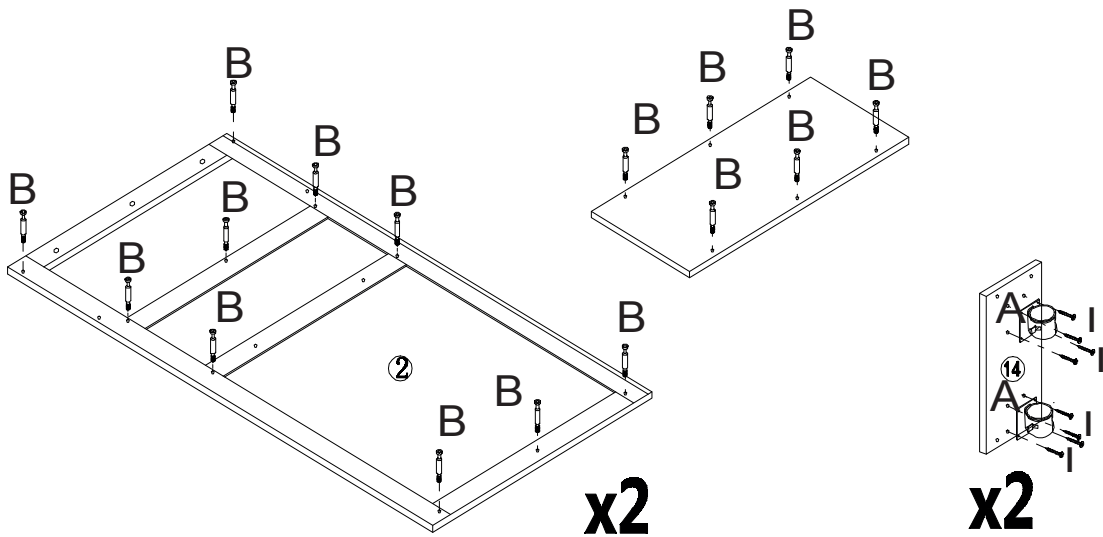


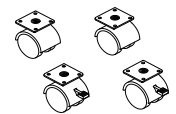
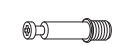

1



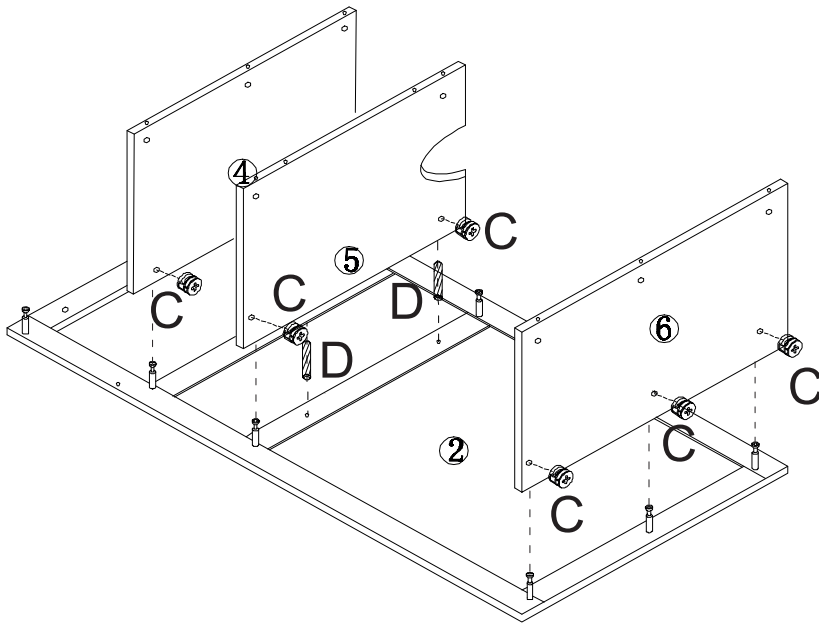
F	x 16	G	x 2	H	x 2
					
M3x 25mm		M4x 25mm			


2




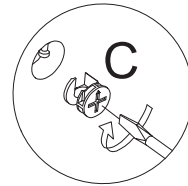
A	x 1	B	x 26	I	x 16
					
		Ø6x 35mm		M3x 12mm	

3

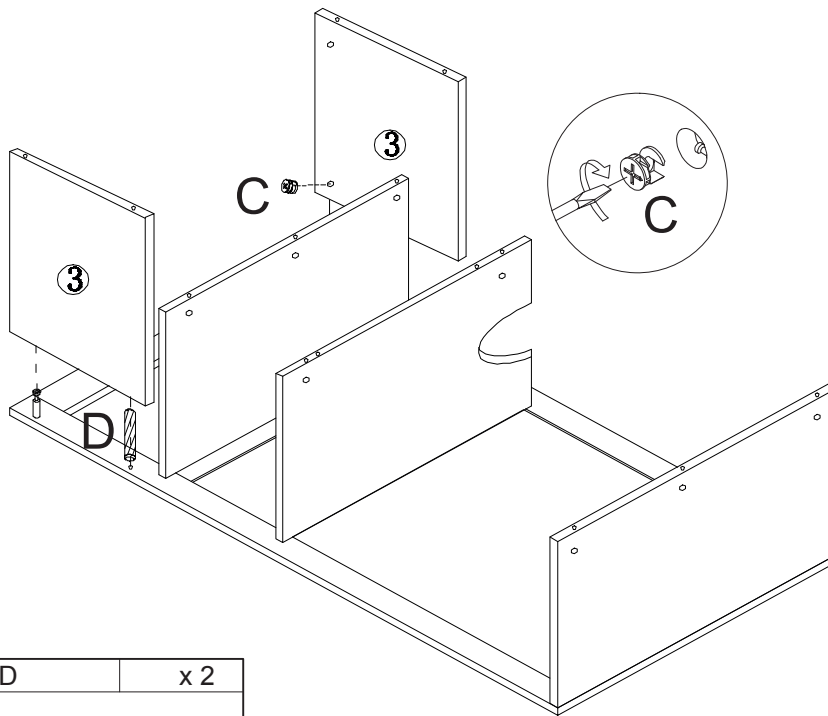



C	x 8
	
$\text{\O}15 \times 10 \text{mm}$	


D	x 2
	
$\text{\O}6 \times 30 \text{mm}$	

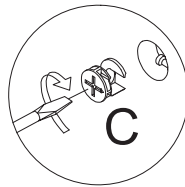


4

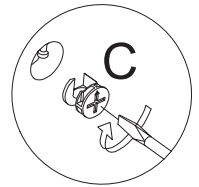
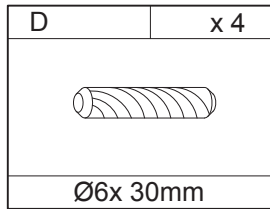
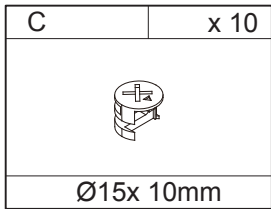
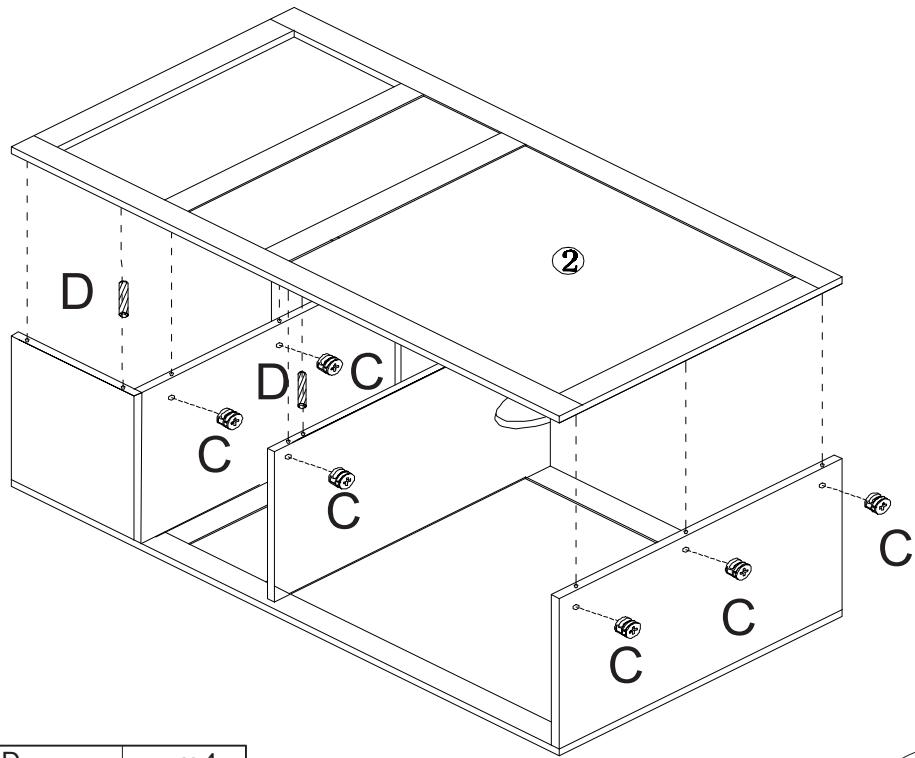


C	x 2
	
$\text{\O}15 \times 10 \text{mm}$	

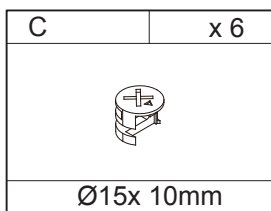
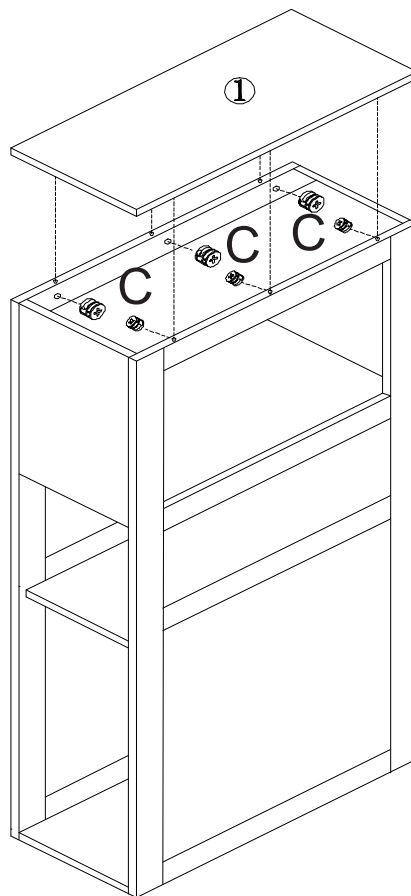
D	x 2
	
$\text{\O}6 \times 30 \text{mm}$	



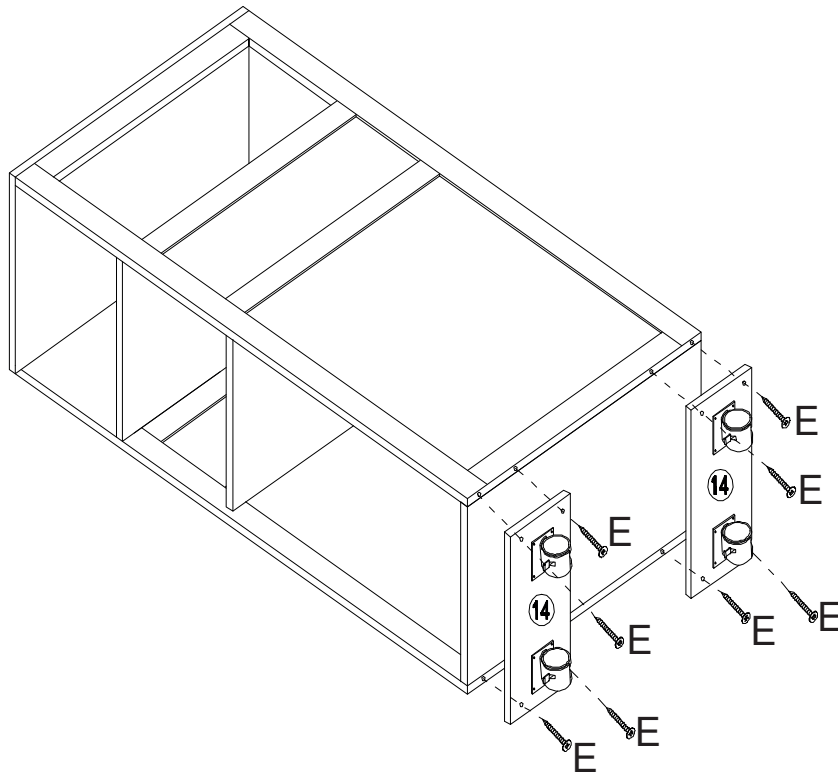
5




6



7



E	x8
	
M4x 30mm	

8

