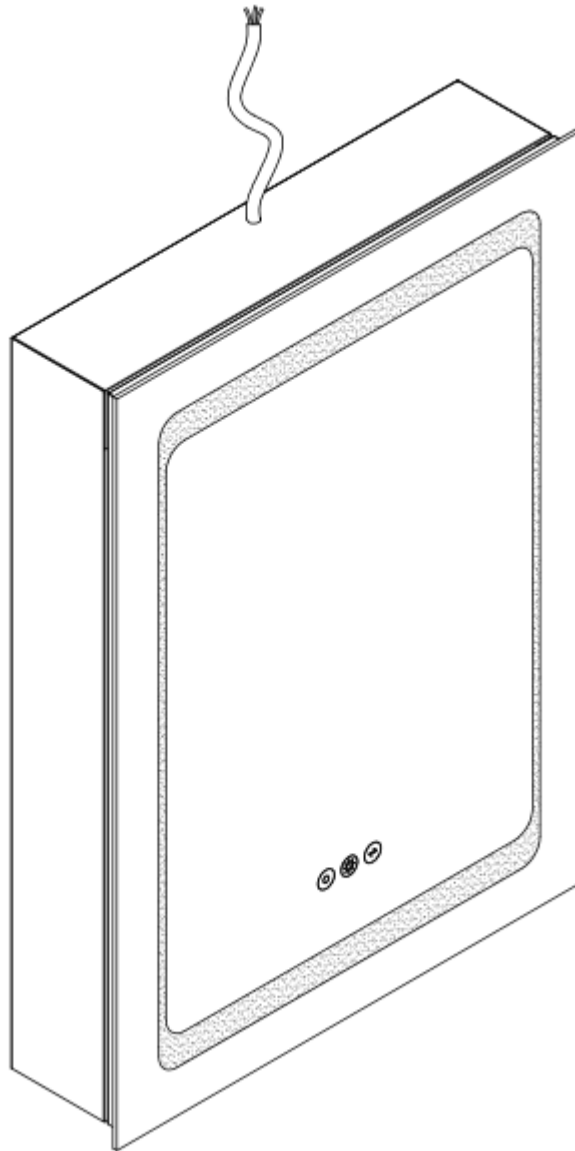


*kleanpin*

INcvd005V01\_UK

**834-322**



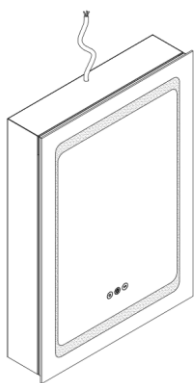
**UK  
CA** **CE**



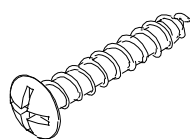
IMPORTANT, RETAIN FOR FUTURE REFERENCE: READ CAREFULLY

**ASSEMBLY & INSTRUCTION MANUAL**

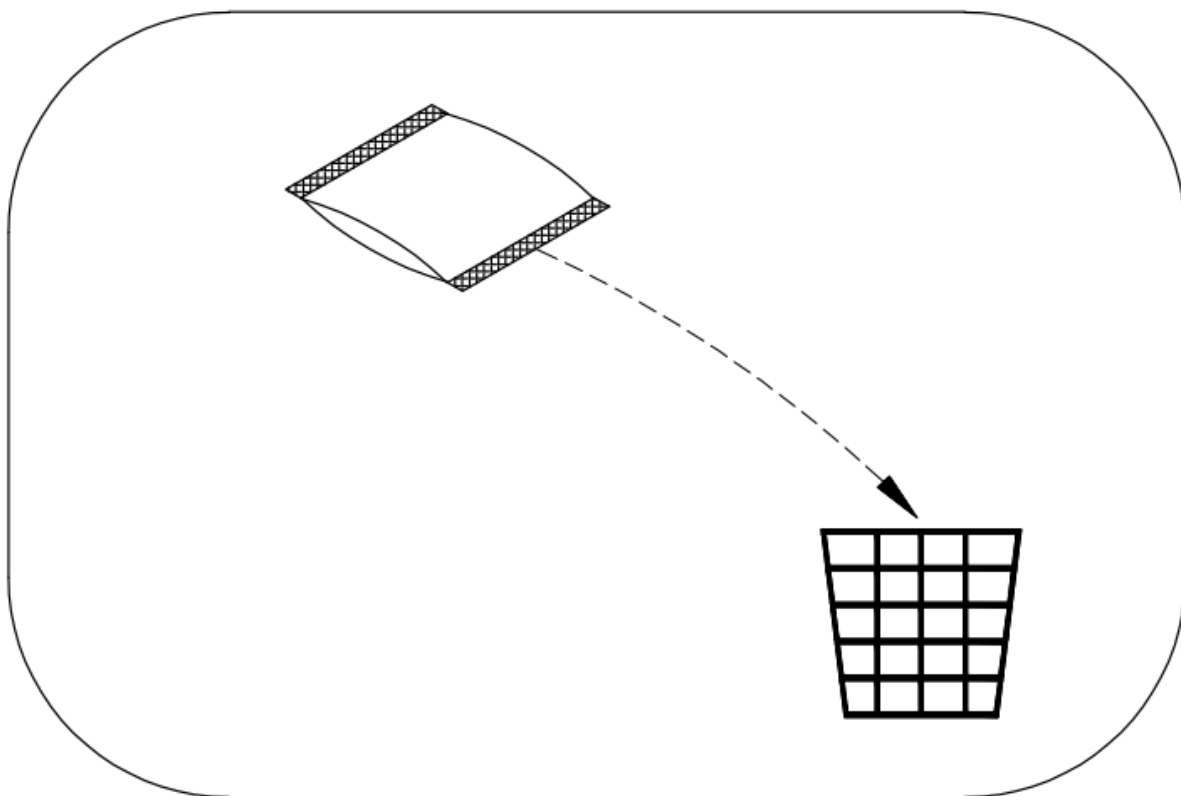
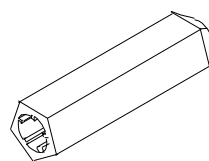
A x 1

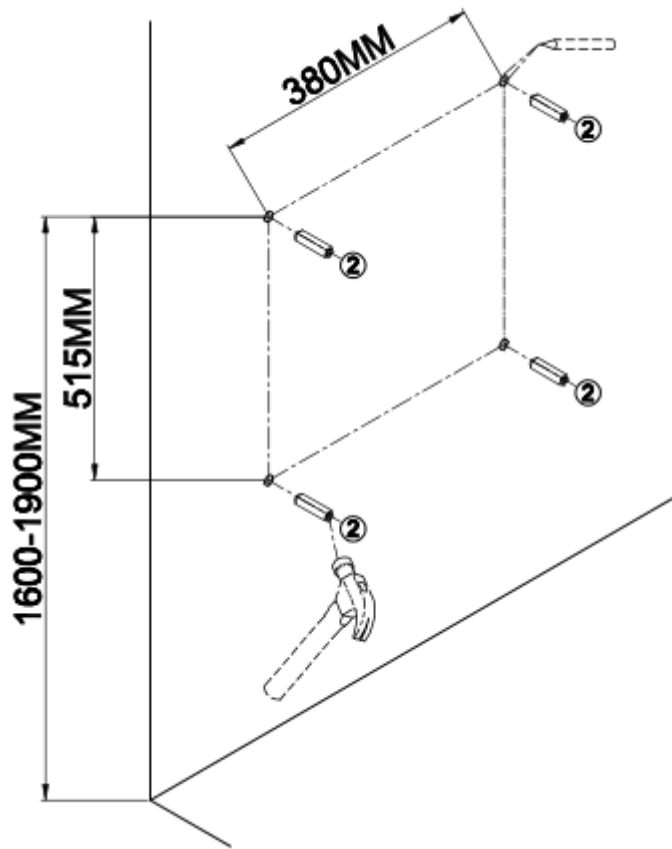
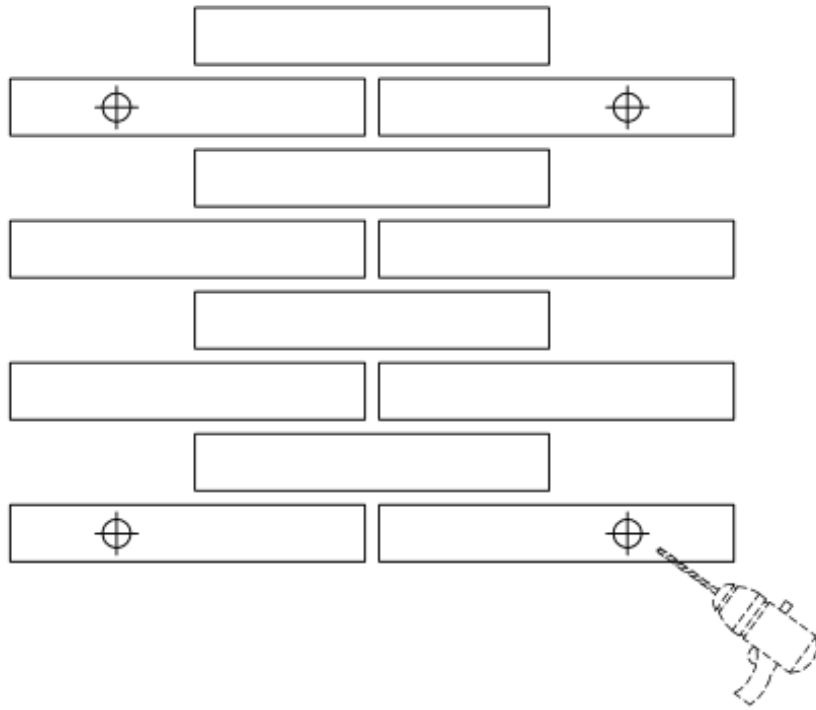
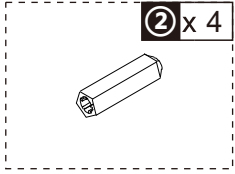


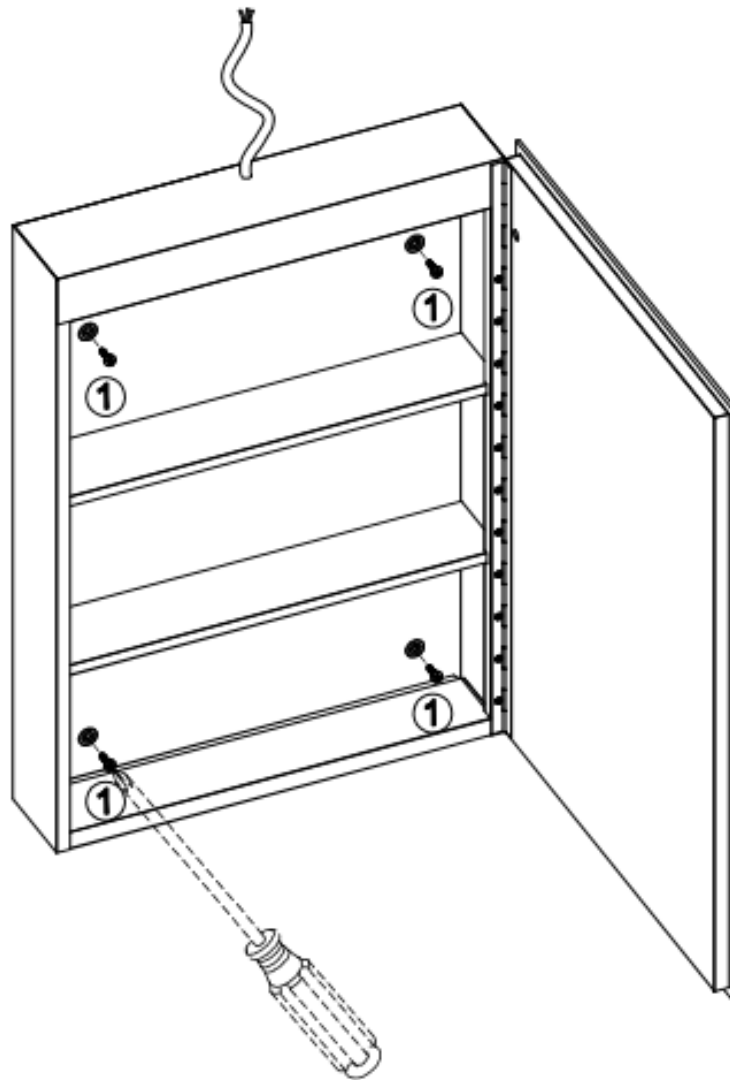
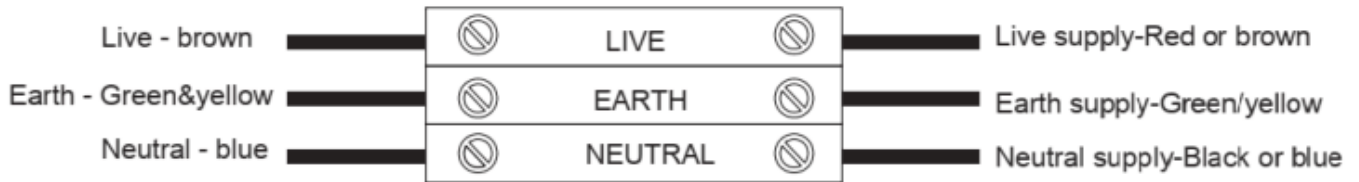
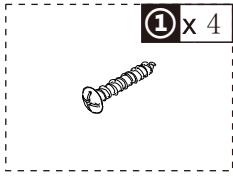
① x 4

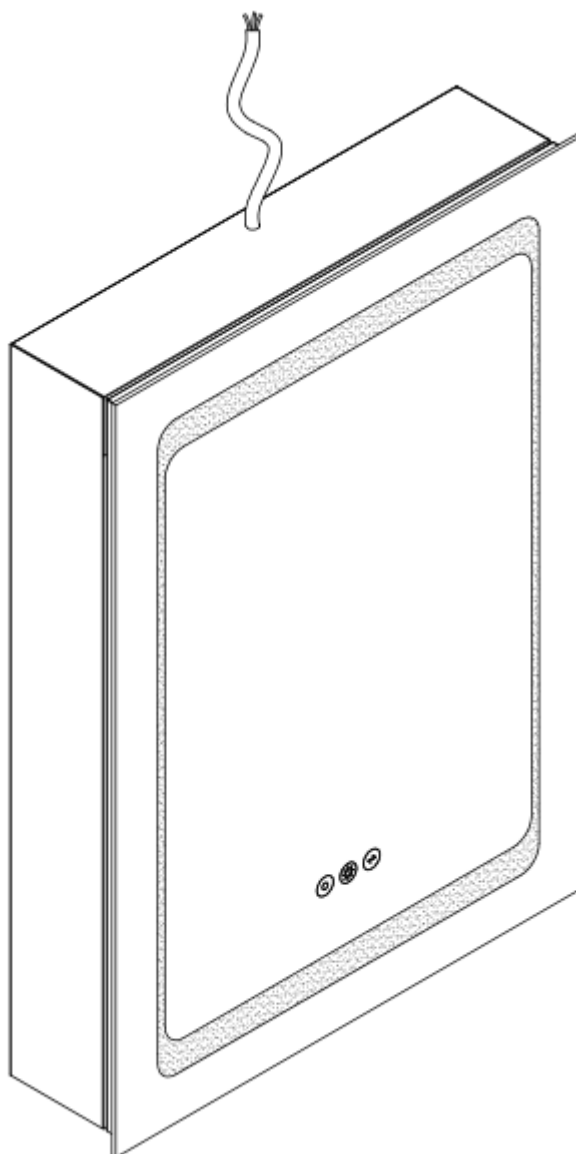


② x 4









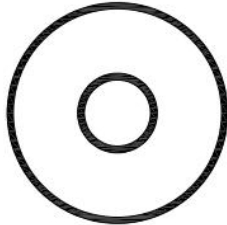
Done

Input voltage	220-240	V
Input AC frequency	50	Hz
Output voltage	12	V
Output current	1.67	A
Output power	18.5	W
Average active efficiency	40	%
Efficiency at low load (10 %)	76	%
No-load power consumption	1	W

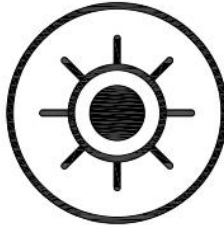
MH STAR UK LTD  
 Unit 27, Perivale Park,  
 Horsenden lane South  
 Perivale, UB6 7RH

# Connect the power:

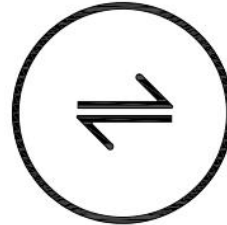
1



2



3



1. Turn the light on , Press and Hold, Brightens Mirror Light, Press and Hold Again, Dims Mirror Light.

2. Tap, Turns Touch Button Light ON.

3. Turn the light on , Press and Hold, Warm Mirror Light , Press and Hold Again, cold Mirror Light.

## 4. Warm Tips:

- During operation, never put hard and sharp materials directly against the mirror surface, or otherwise, it may result in current leakage and even personal injury accident.
- Never forget to turn off the power switch in storm days, or otherwise, lighting may damage electric elements of the product.
- During normal operation, never forcibly pull out the power plug to stop the product, or otherwise, electric elements of the product may be damaged.
- Please pull out the power plug if the product is not used for a long time .
- Do not touch electrical appliances when you are wet!