



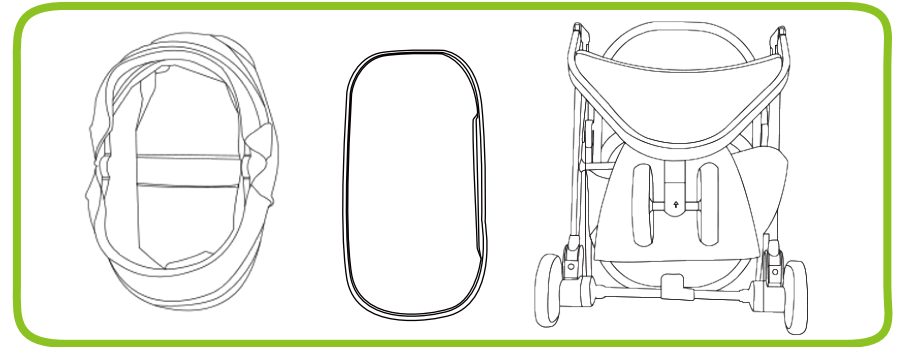
INdab017_UK_D00-119

INSTRUCTION MANUAL



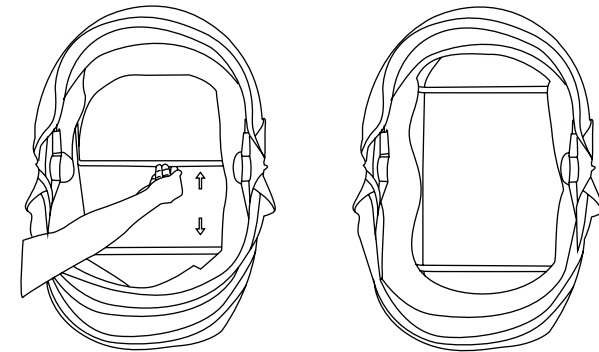
Read all instructions BEFORE assembly and USE of product.
KEEP INSTRUCTIONS FOR FUTURE USE.
For Pet Use Only!

Check that you have all the parts for this model
before assembling the stroller



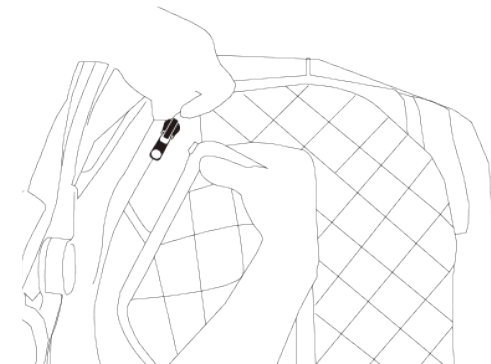
ASSEMBLING CARRIER

FIG 1.



1. Push out the support rods to each end until they are locked into place. (Fig 1)

FIG 2.



2. Install inner carrier lining by zipping the removable piece. (Fig. 2)

UNFOLDING AND FOLDING THE FRAME

NOTE: Please remove the carrier prior to unfolding and folding the frame

UNFOLDING



3. Hold the sides of the frame with both hands and pull up, once it clicks it will lock (Fig.3A) Once it is locked, it should look like (Fig.3B)

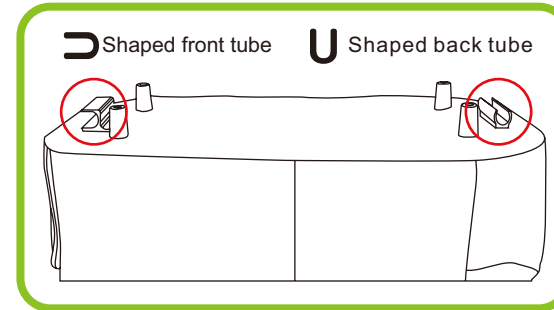
FOLDING

NOTE: Apply breaks before folding.



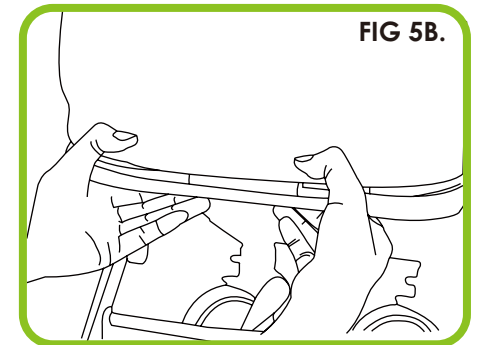
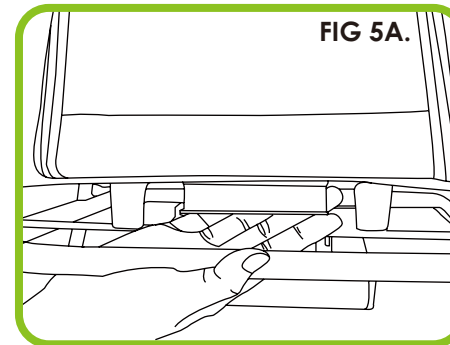
4. Slide the white button on the stroller handle to the left then press the black button on the bottom of the handle with the same hand (Fig.4A) and push forward to fold (Fig 4B)

INSTALLING CARRIER ON STROLLER



Locate locking tubes on the bottom of the carrier.

5. Put the carrier on the stroller frame with **C** tube towards the front of the stroller. (Fig 5A) Lock the back of the carrier by placing your finger on the bottom of the frame and pressing hard on to interlock the pieces as shown in (Fig 5B).



UNINSTALLING CARRIER ON STROLLER

Please remove the pet(s) before uninstalling the carrier, to do so, reverse the procedures shown in "Installing Carrier On Stroller." **WARNING:** Make sure brakes are applied before installing or removing carrier.