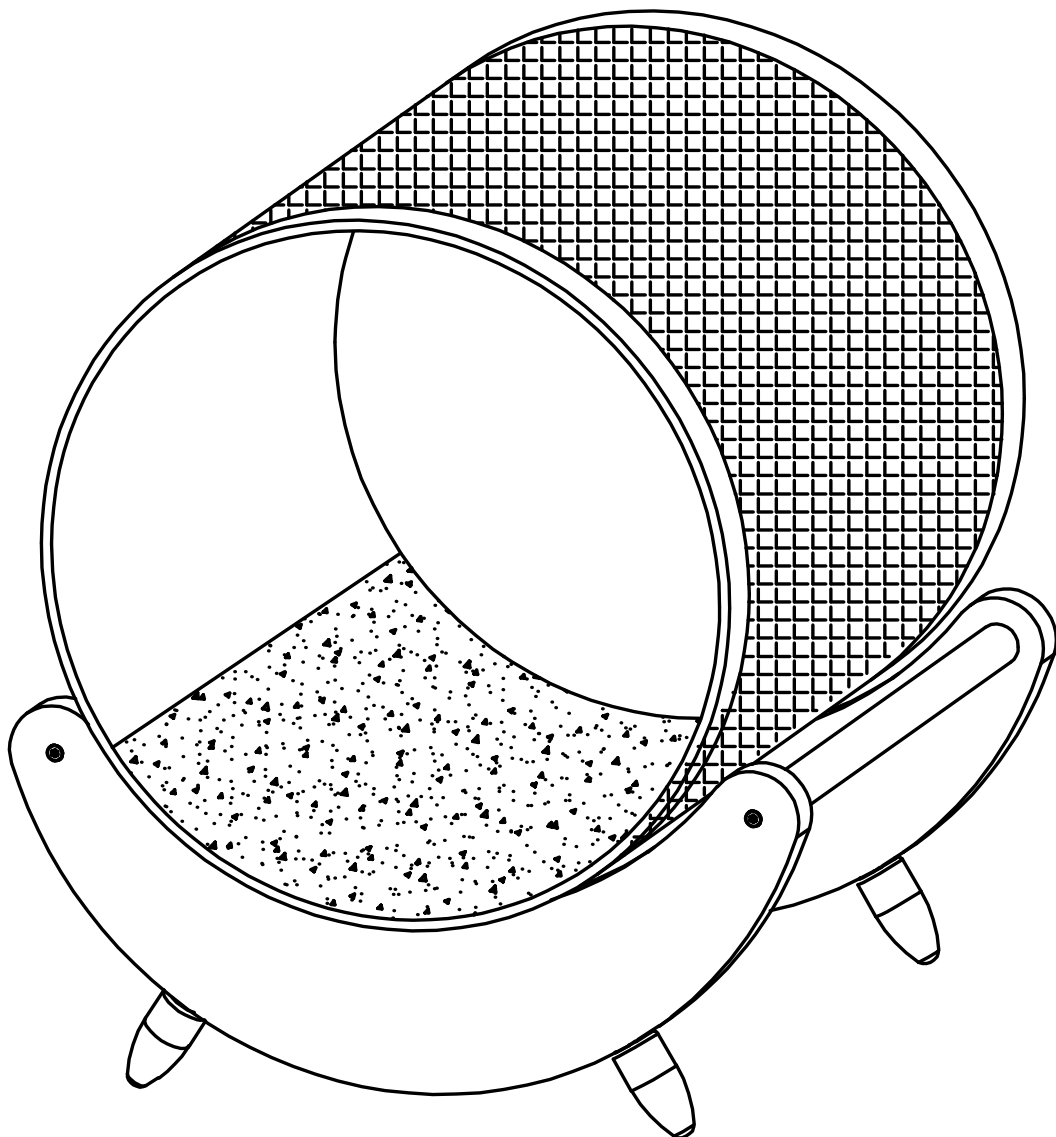


# PawHut

INdba066\_GL

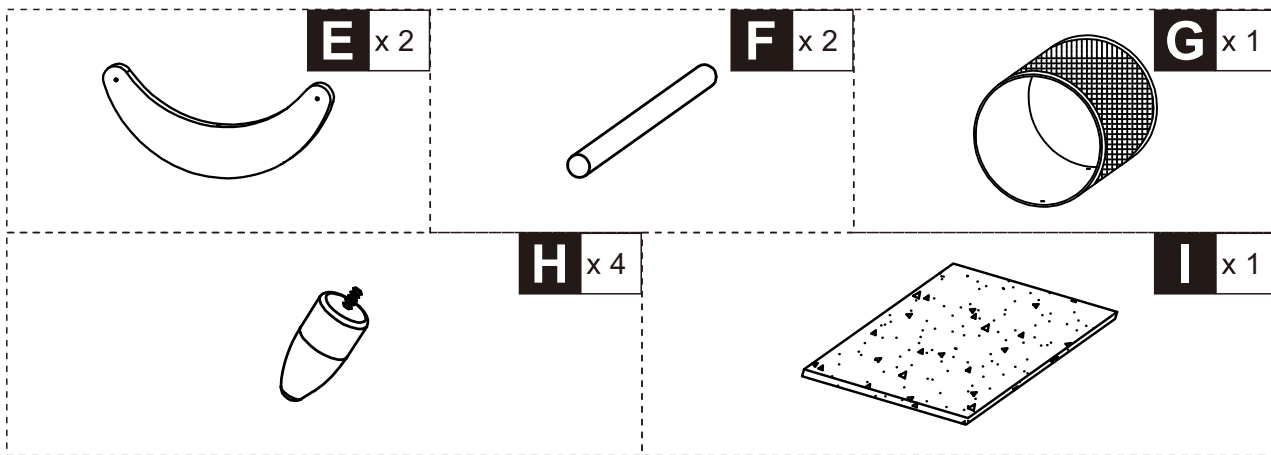
**D30-520V01\_D30-520V70**



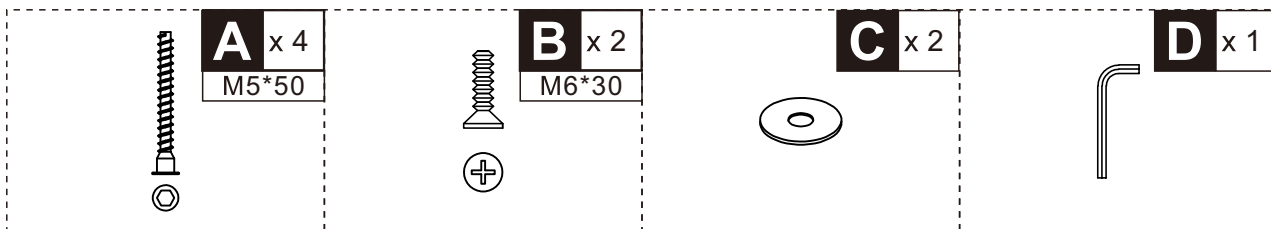
**IMPORTANT, RETAIN FOR FUTURE REFERENCE: READ CAREFULLY**

## ASSEMBLY & INSTRUCTION MANUAL

**PARTS**

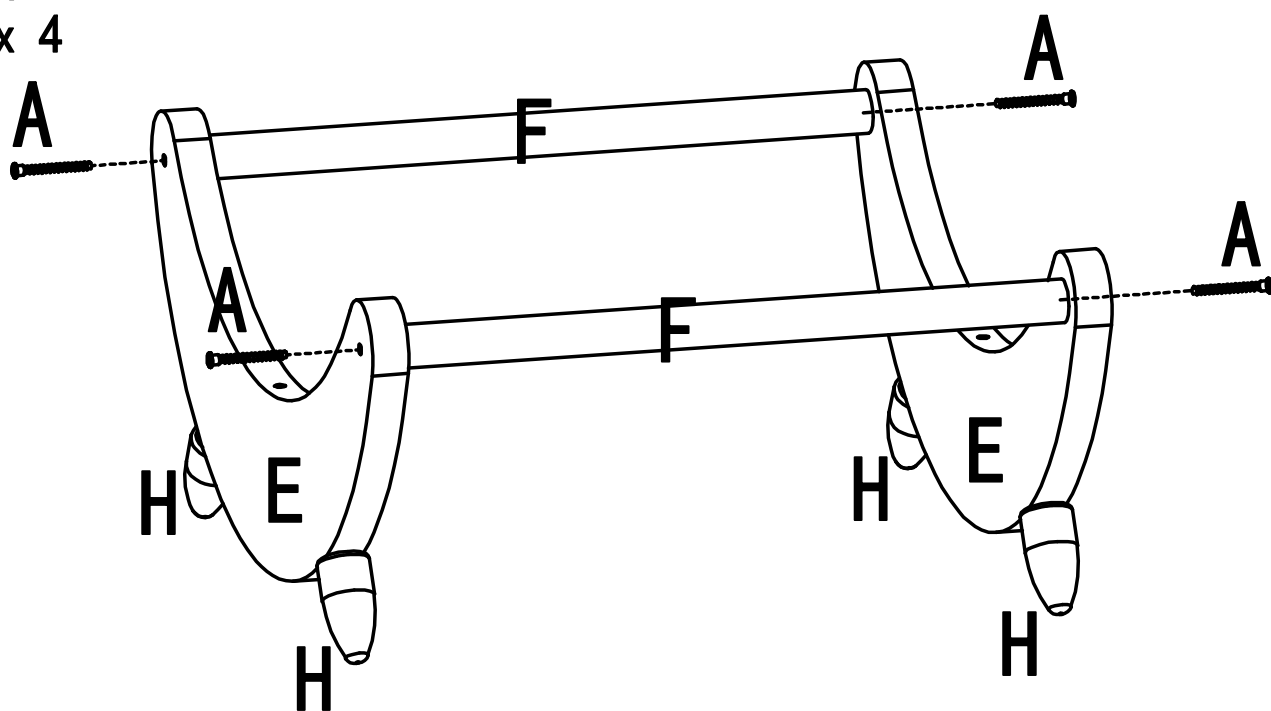


**HARDWARE**



- A** x 4
- E** x 2
- F** x 2
- H** x 4

**01**



B x 2  
C x 2  
G x 1  
I x 1

