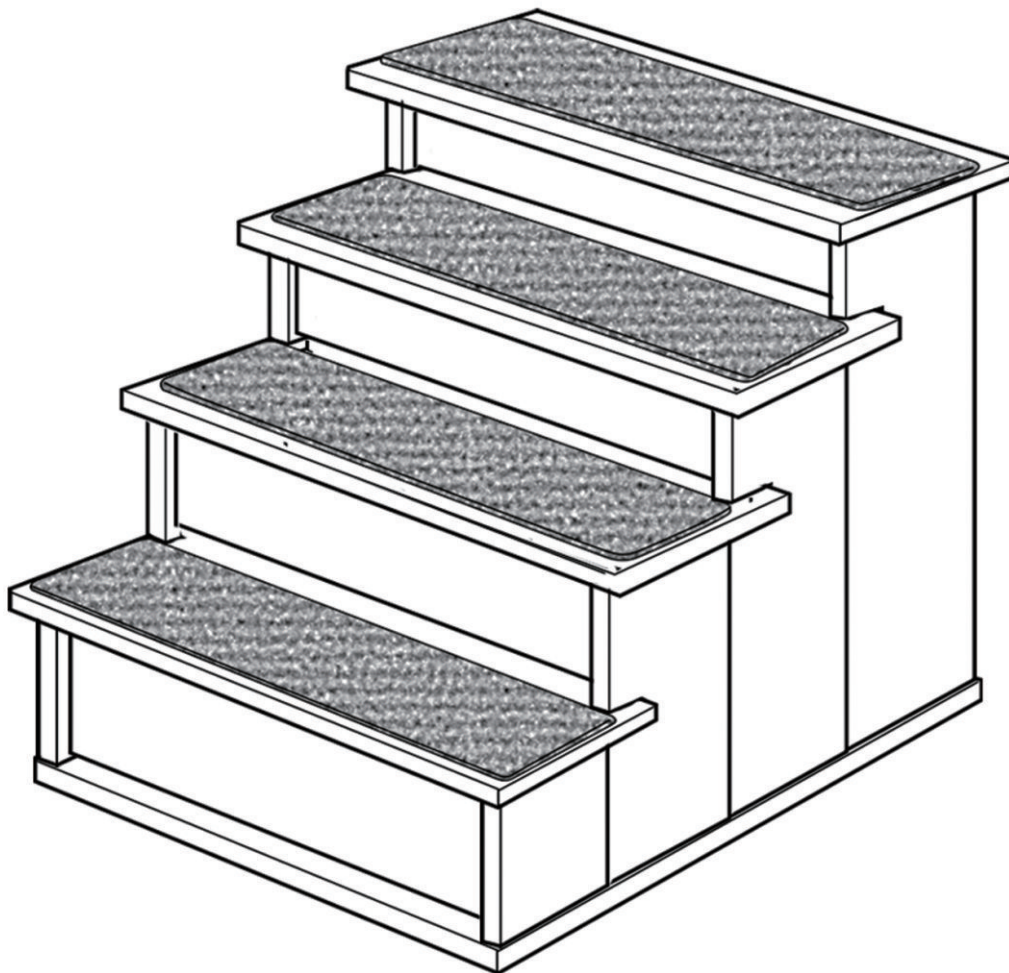


PawHut

INdbg008_GL

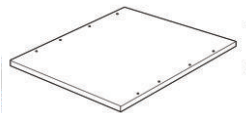
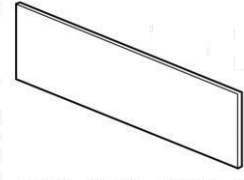
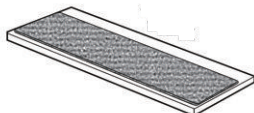
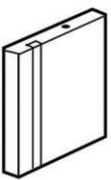
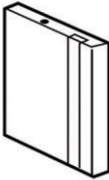
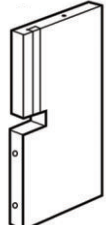
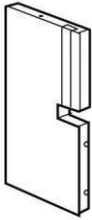
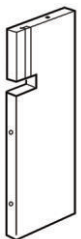



D06-078



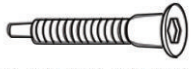




IMPORTANT, RETAIN FOR FUTURE REFERENCE: READ CAREFULLY

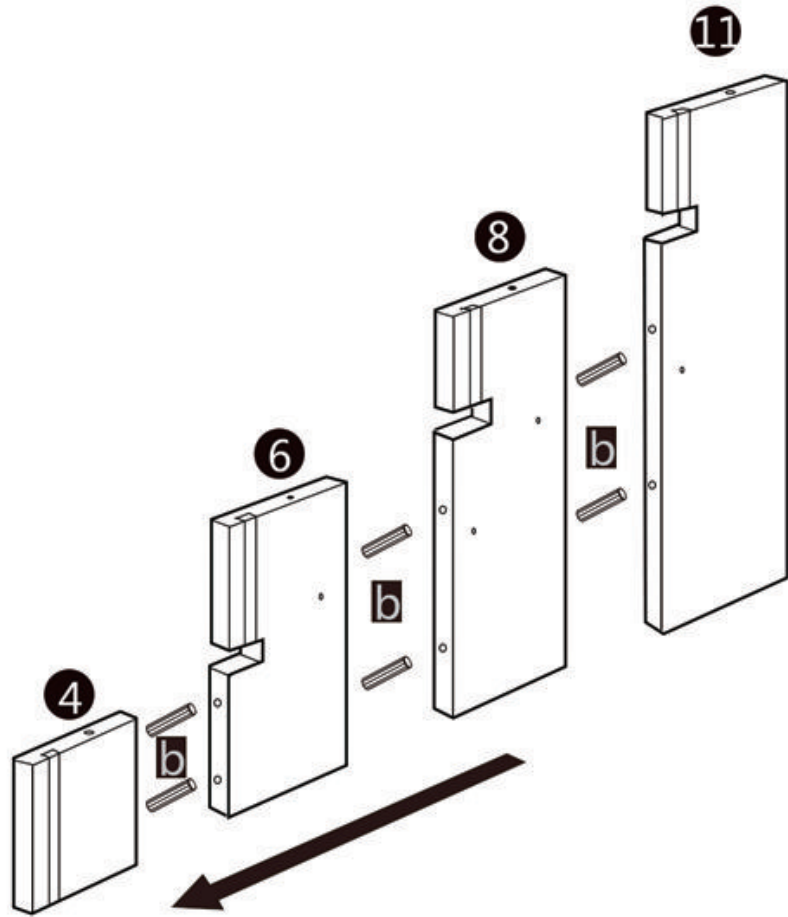
ASSEMBLY & INSTRUCTION MANUAL

PARTS

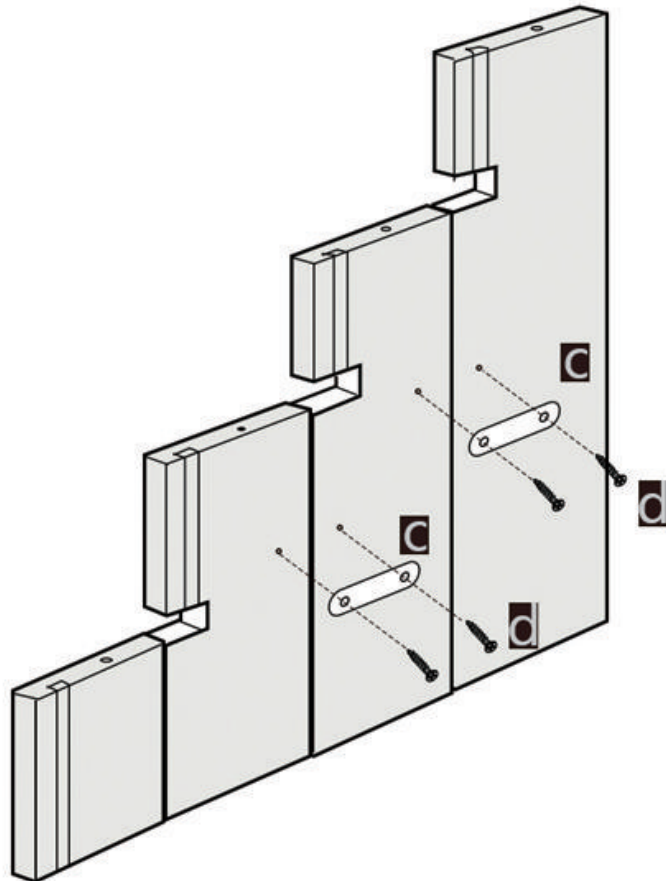
| | | |
|--|--|---|
|  <p>1 x01</p> |  <p>2 x04</p> |  <p>3 x04</p> |
|  <p>4 x01</p> |  <p>5 x01</p> |  <p>6 x01</p> |
|  <p>7 x01</p> |  <p>8 x01</p> |  <p>10 x01</p> |
|  <p>11 x01</p> |  <p>12 x01</p> | |

HARDWARE

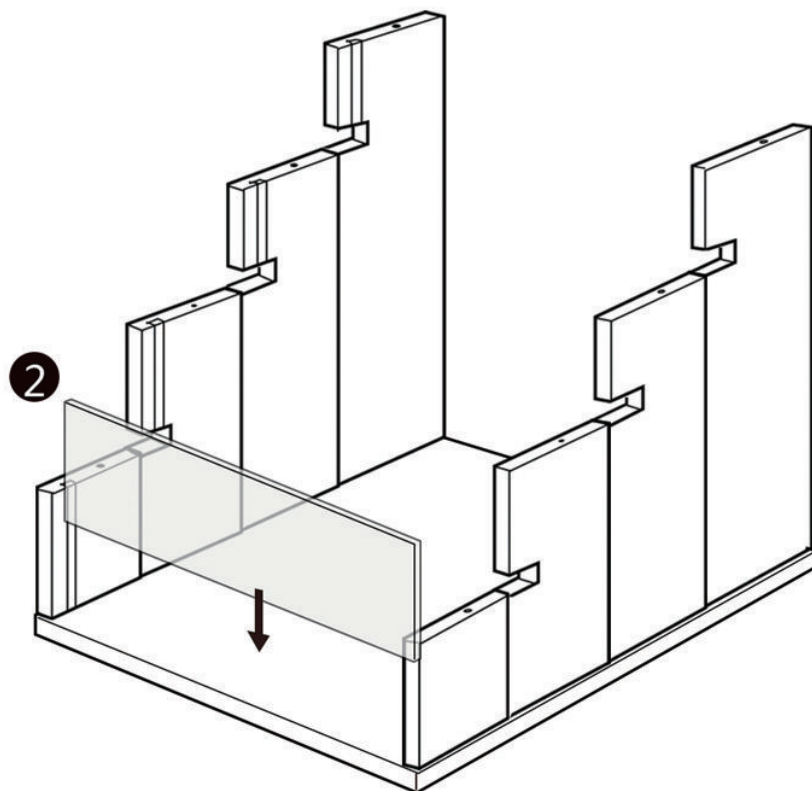
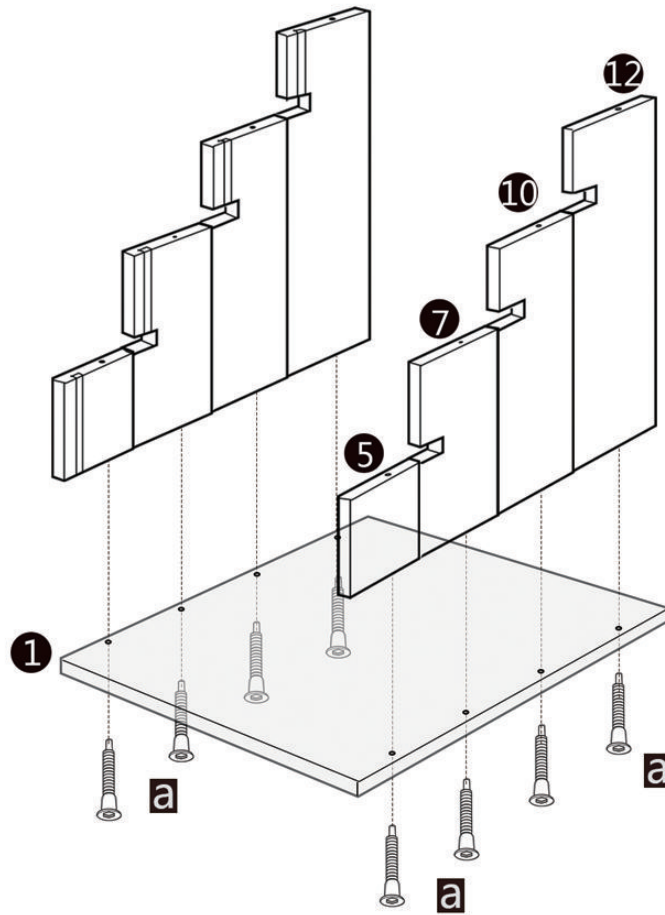
| | | |
|---|---|---|
|  <p>A x16</p> |  <p>B x12 +1(spare)</p> |  <p>C x04</p> |
|  <p>D x08 +1(spare)</p> |  <p>E x01</p> | |

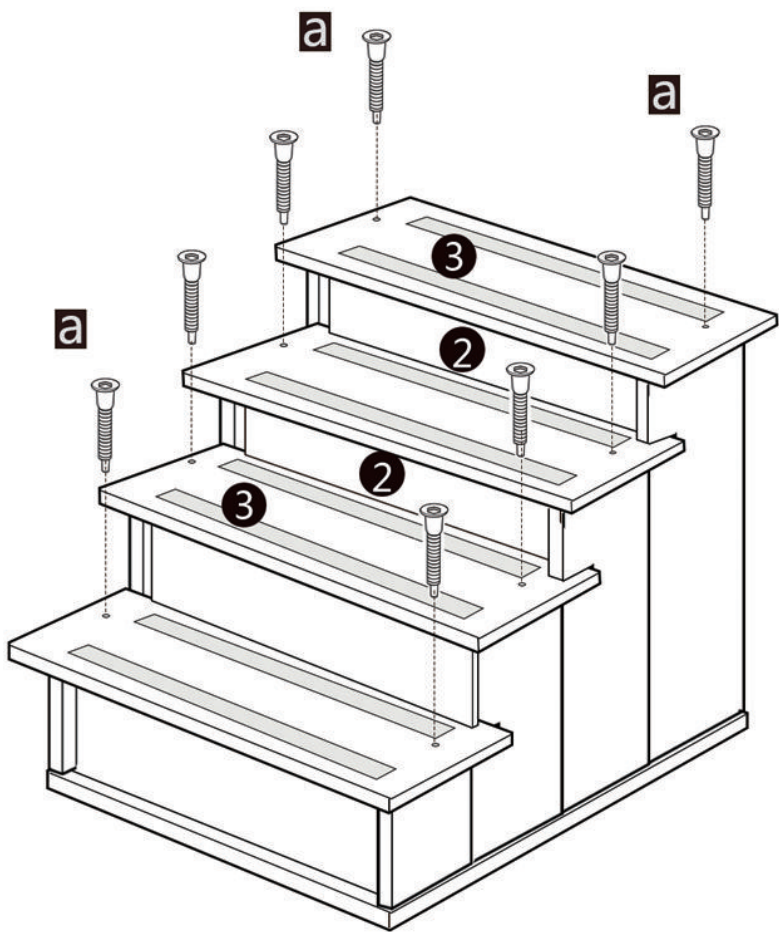
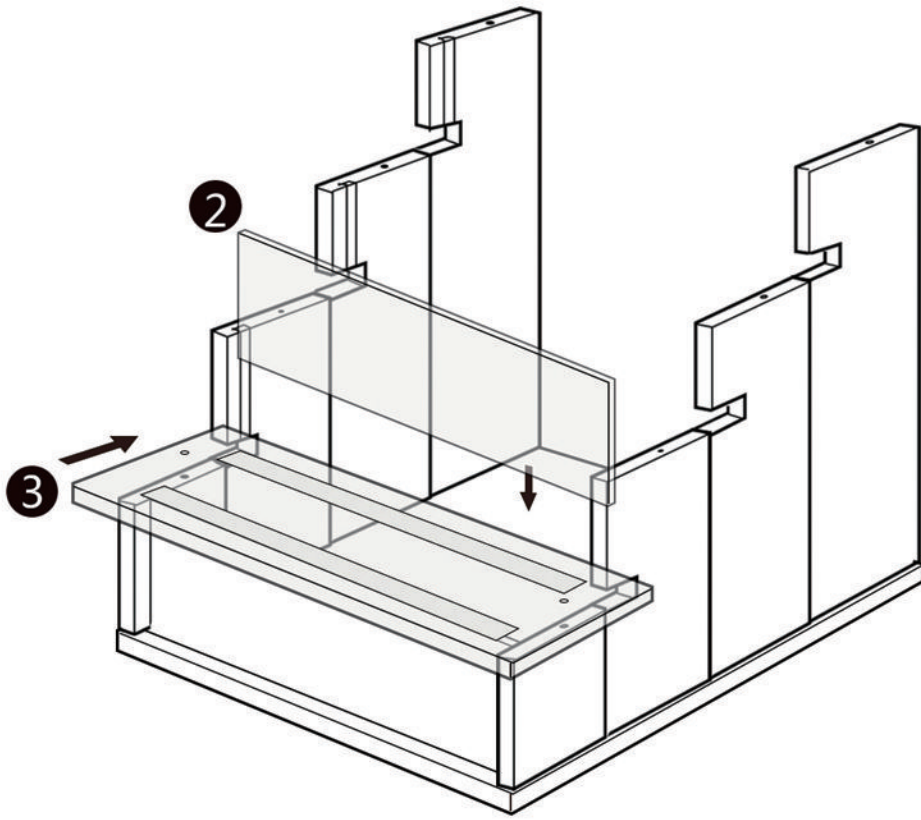


x2



x2





US



001-877-644-9366
customerservice@aosom.com

CA



001-855-537-6088
customerservice@aosom.ca

UK



0044-800-240-4004
enquiries@mhstar.co.uk

DE



0049-(0)40-88307530
service@aosom.de

FR



0033-1-84166106
contact@aosom.fr

ES



0034-931294512
atencioncliente@aosom.es

IT



0039-0249471447
clienti@aosom.it