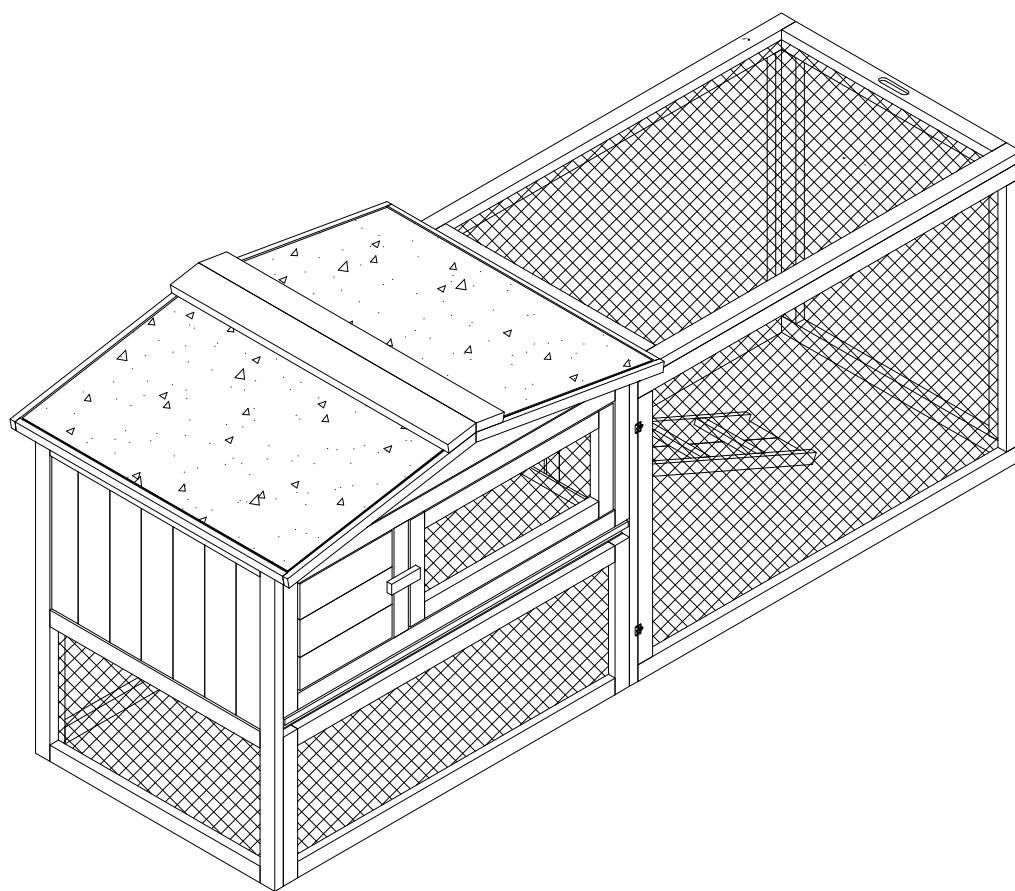


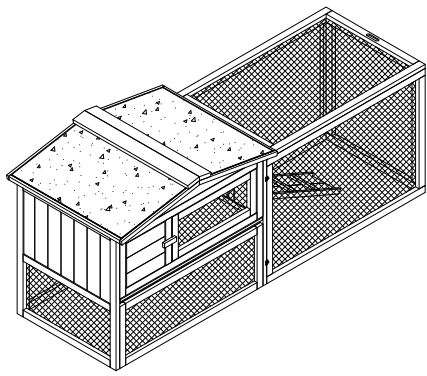


D2-0014

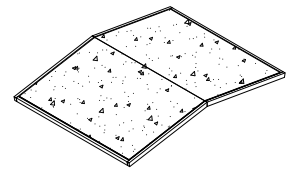


Please read these instructions and warranty information carefully before use and keep them properly for future reference.

OPERATING INSTRUCTIONS

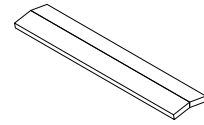


9



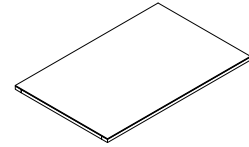
2PCS

10



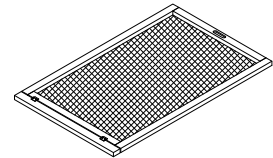
1PC

11



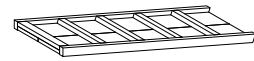
1PC

12



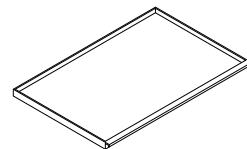
1PC

13



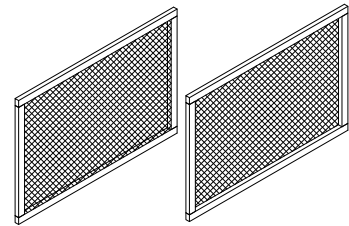
1PC

14



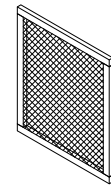
1PC

15



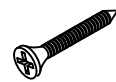
2PCS

16



1PC

A



3.5*35

30PCS

B



3*30

2PCS

C



3*25

4PCS

D



3*16

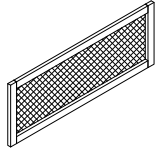
18PCS

E



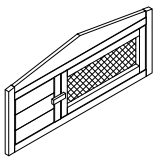
4PCS

1



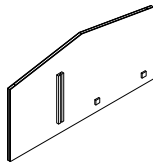
1PC

2



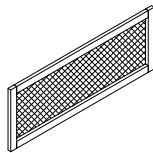
1PC

3



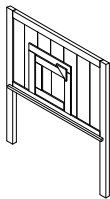
1PC

4



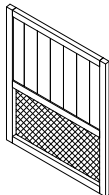
1PC

5



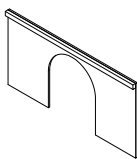
1PC

6



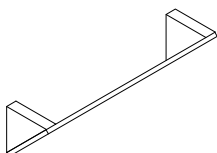
1PC

7



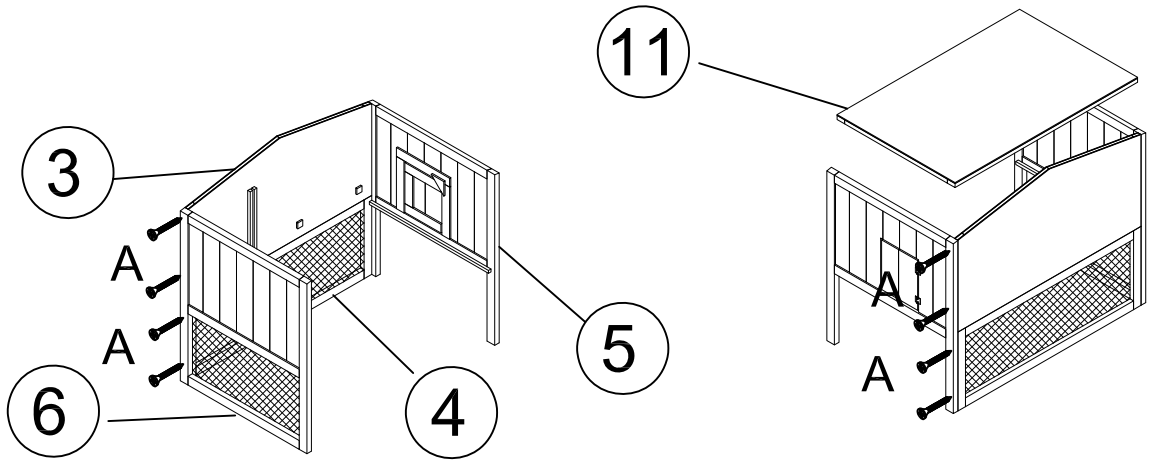
1PC

8

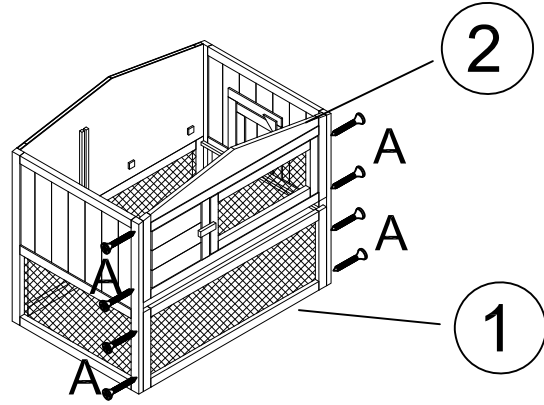


1PC

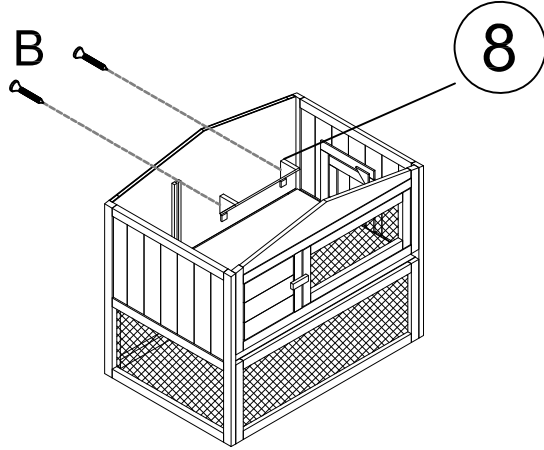
1 A M3.5*35 8PCS



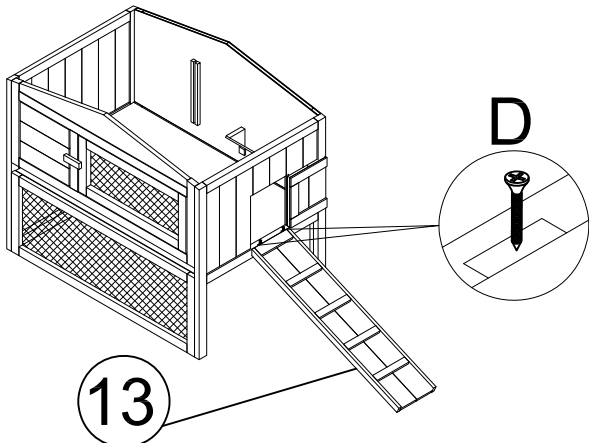
2 A M3.5*35 8PCS



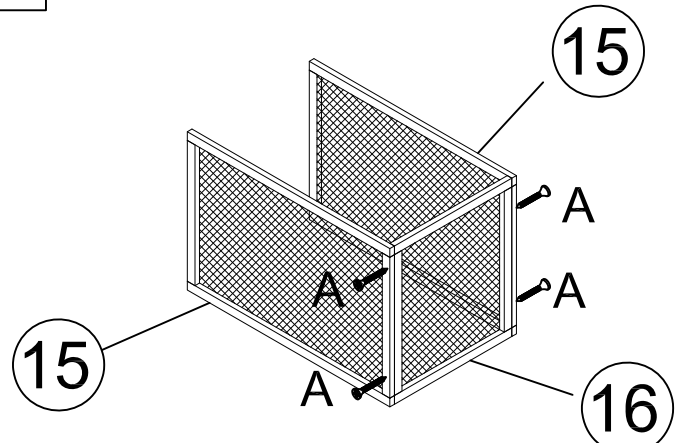
3 B M3*30 2PCS



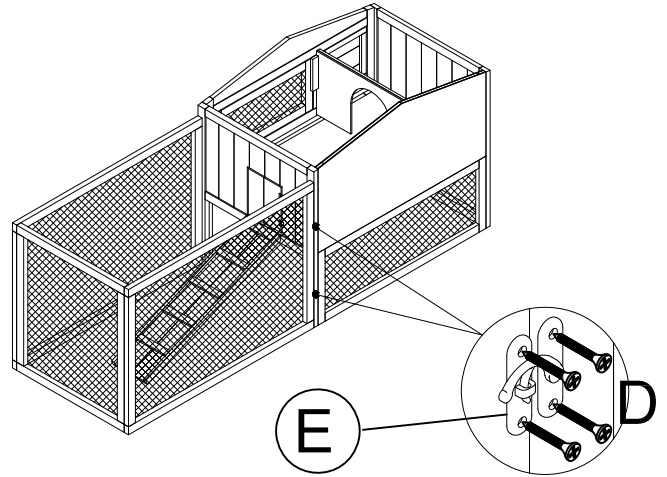
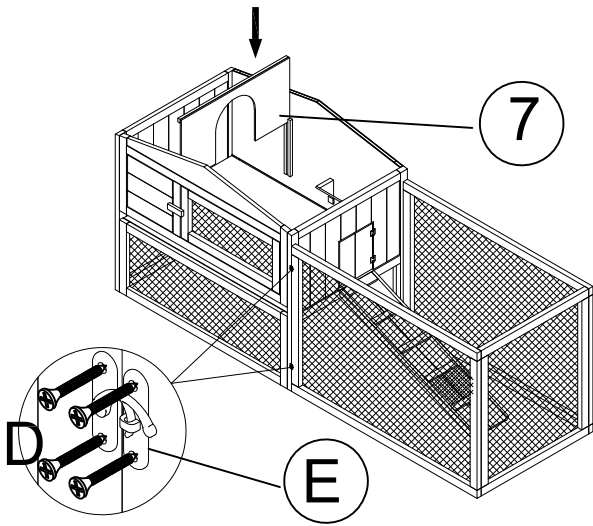
4 D M3*16 2PCS



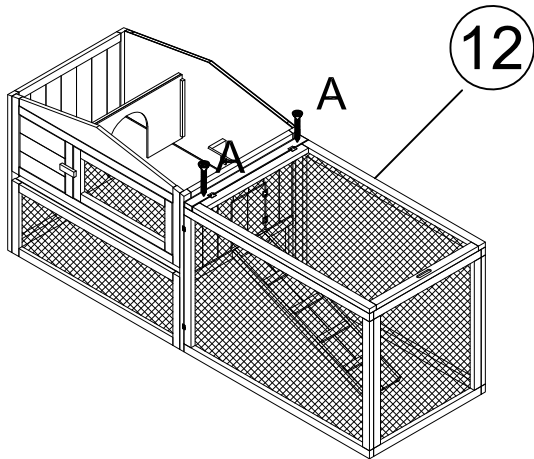
5 A M3.5*35 4PCS



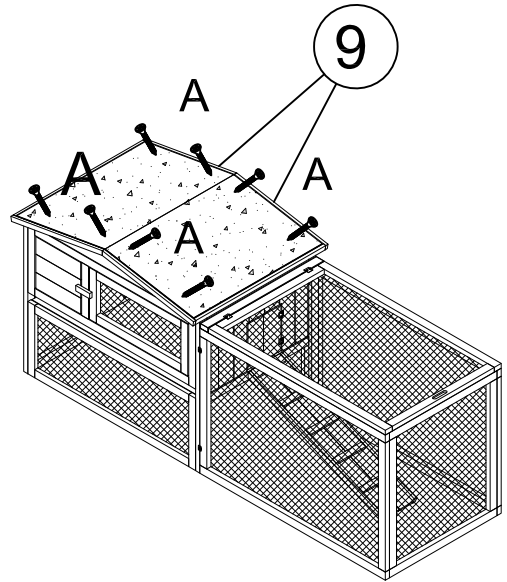
6 D M3*16 16PCS



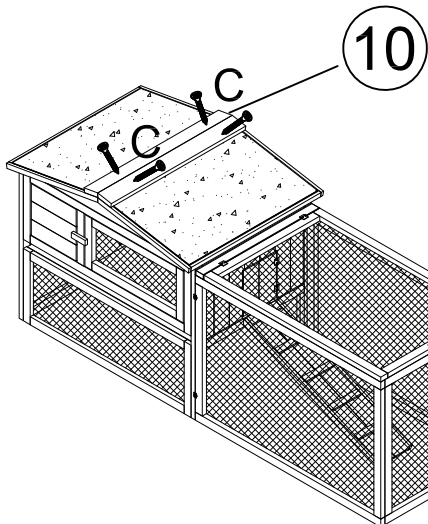
7 A M3.5*35 2PCS



8 A M3.5*35 8PCS



9 C M3*25 4PCS



10

