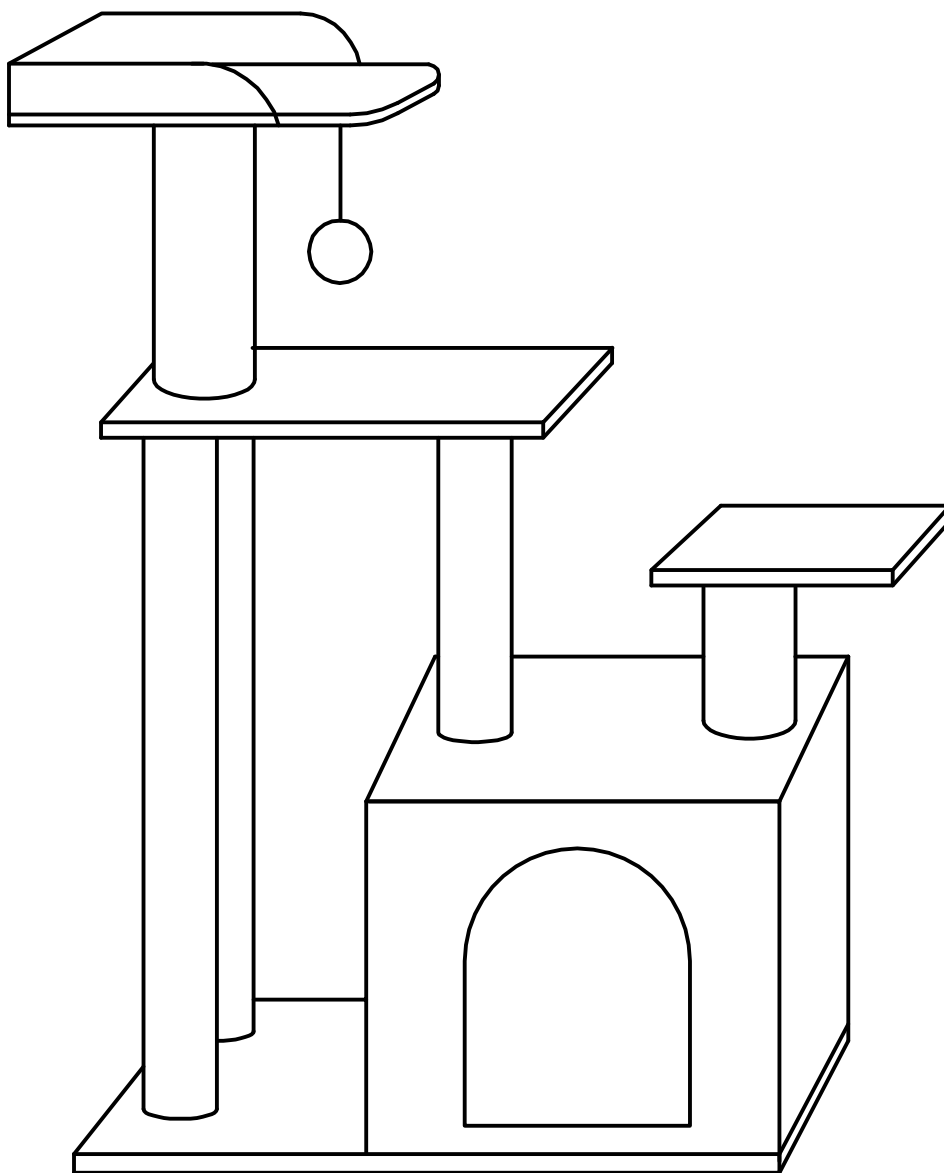


PawHut

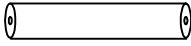
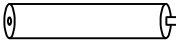
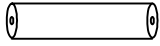
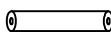
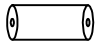
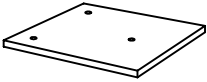
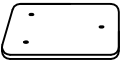
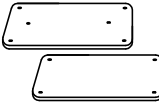
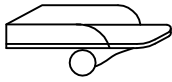
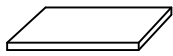
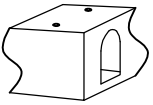


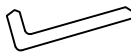
INdha136_GL

D30-348



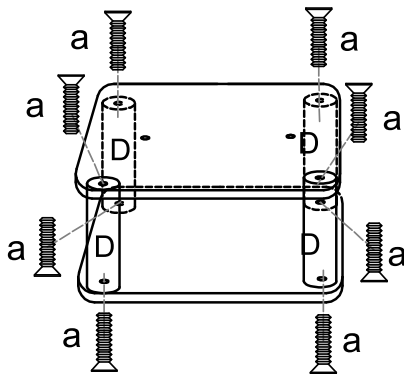
READ AND SAVE THIS INSTRUCTIONS FOR FUTURE USE

ASSEMBLY & INSTRUCTION MANUAL

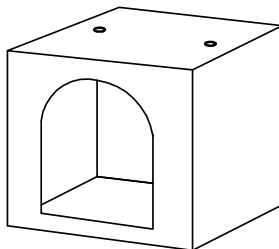
A x 2  H58.5CM	B x 1  H45CM	C x 1  H30CM	D x 4  H26CM	
E x 1  H15CM	F x 1 	G x 1 	H x 2 	I x 1 
J x 1 	K x 1 	a x 17  M8*30	b x 1  M8*40	

a x 8

01



+



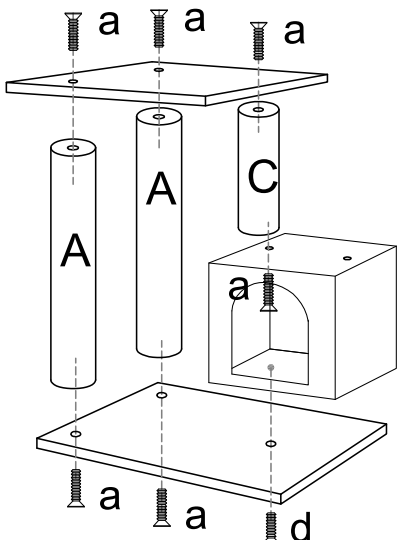
a x 6

A x 2

C x 1

D x 1

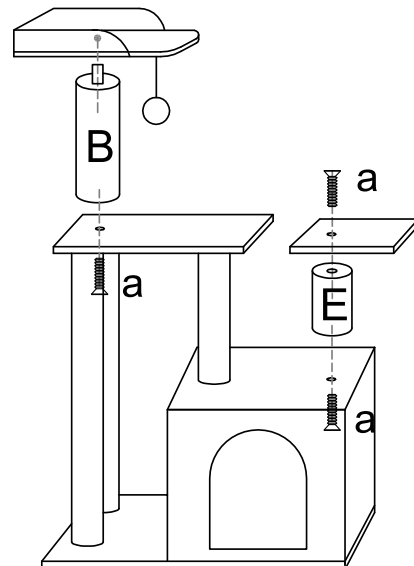
02



a x 3

B x 1

Done



US



001-877-644-9366
customerservice@aosom.com

CA



001-855-537-6088
customerservice@aosom.ca

UK



0044-800-240-4004
enquiries@mhstar.co.uk

DE



0049-(0)40-88307530
service@aosom.de

FR



0033-1-84166106
contact@aosom.fr

ES



0034-931294512
atencioncliente@aosom.es

IT



0039-0249471447
clienti@aosom.it