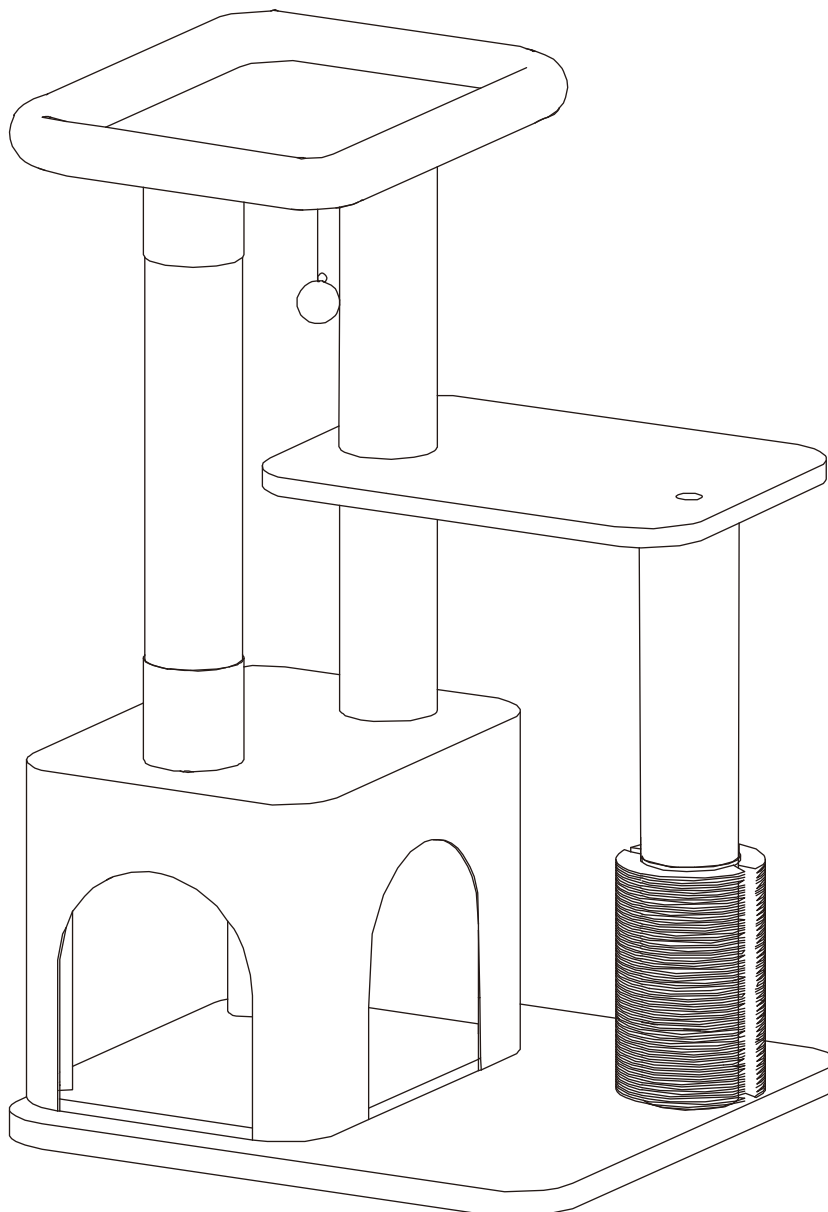


PawHut

INdha166_GL

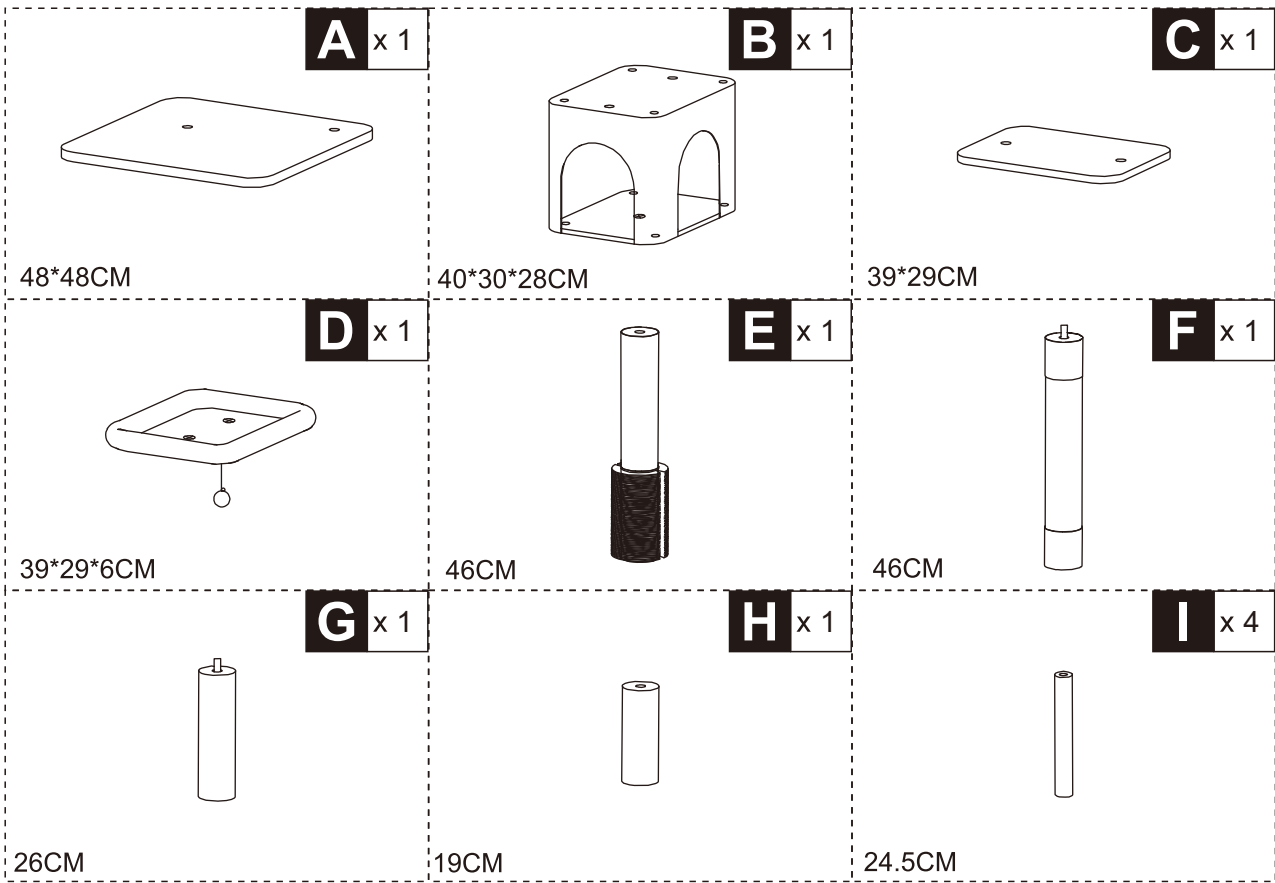
D30-467



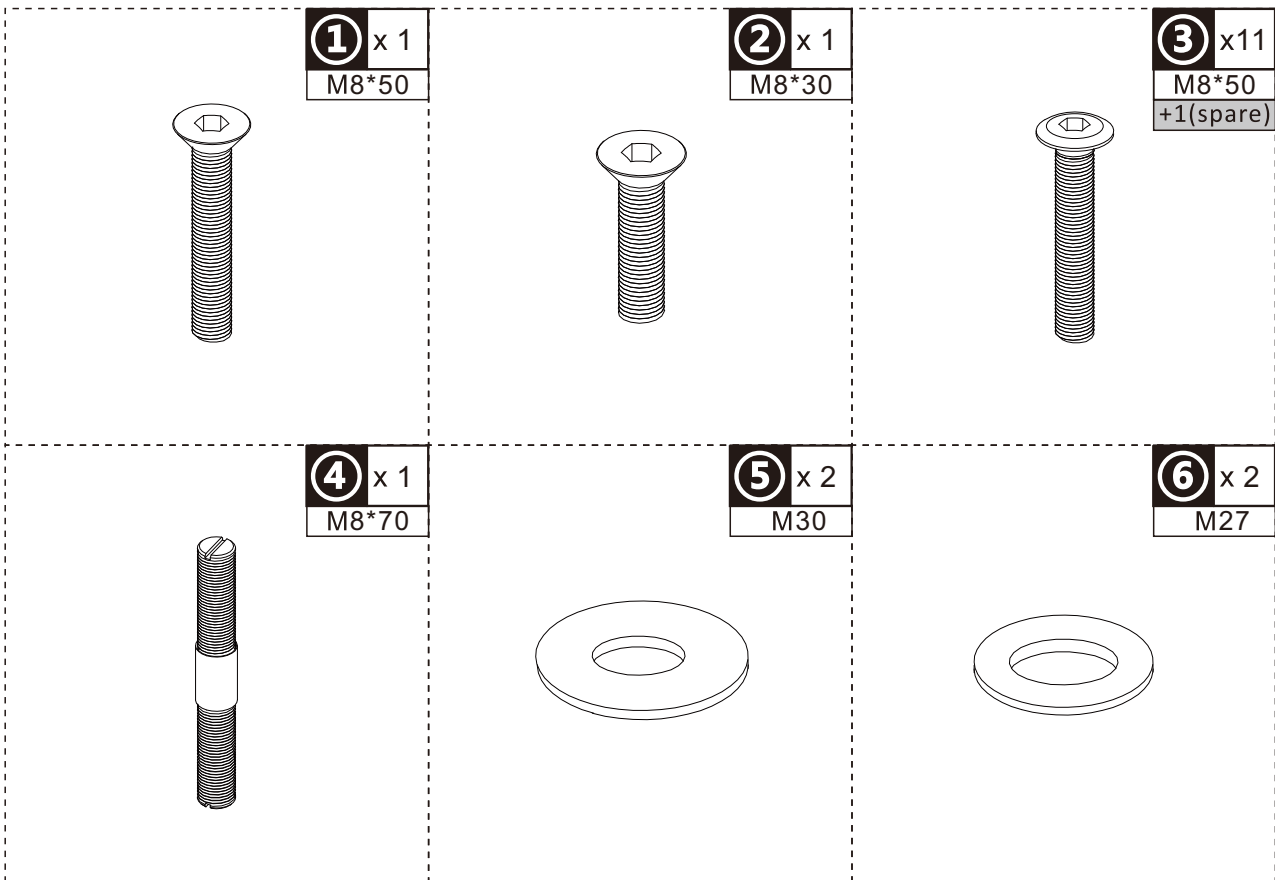
IMPORTANT, RETAIN FOR FUTURE REFERENCE: READ CAREFULLY

ASSEMBLY & INSTRUCTION MANUAL

PARTS



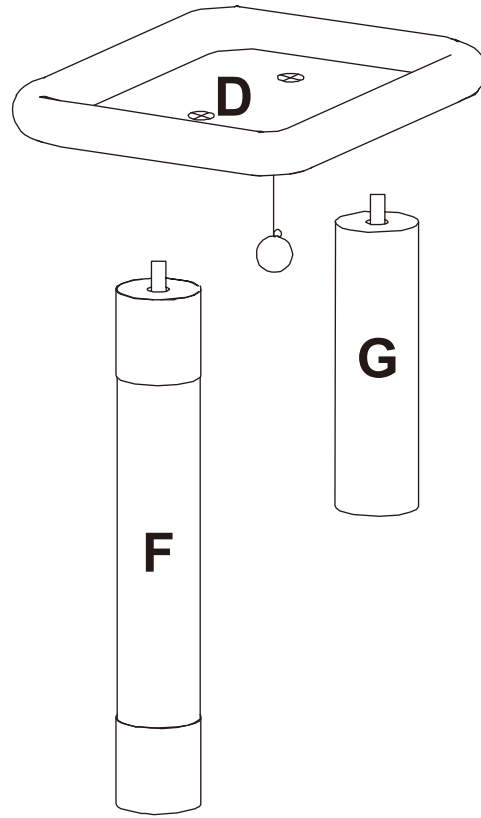
HARDWARE



D x 1

F x 1

G x 1



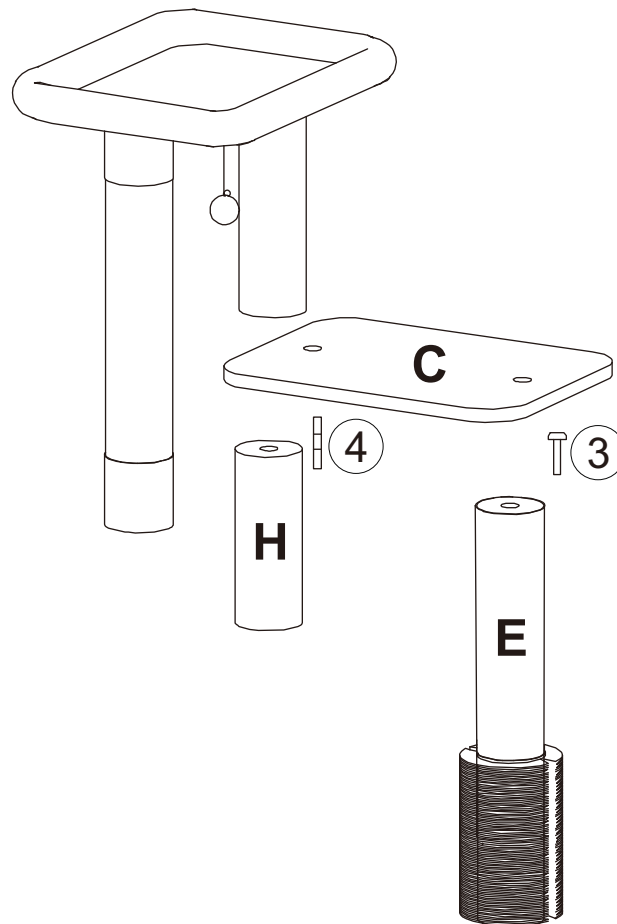
C x 1

E x 1

H x 1

3 x 1

4 x 1

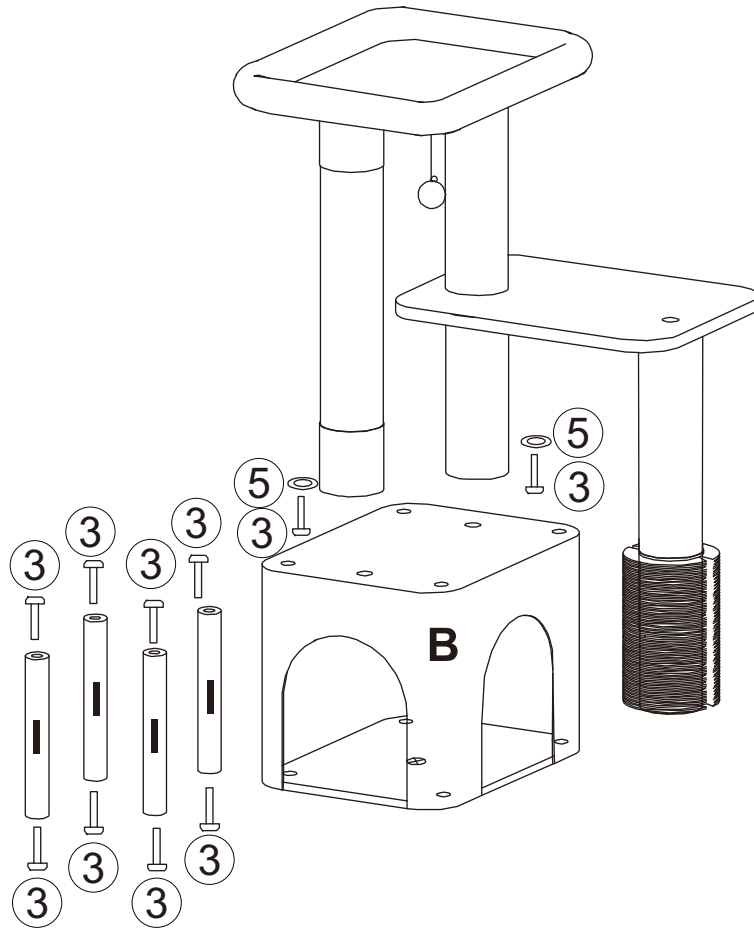


B x 1

I x 4

3 x 10

5 x 2



A x 1

1 x 1

2 x 1

6 x 2

