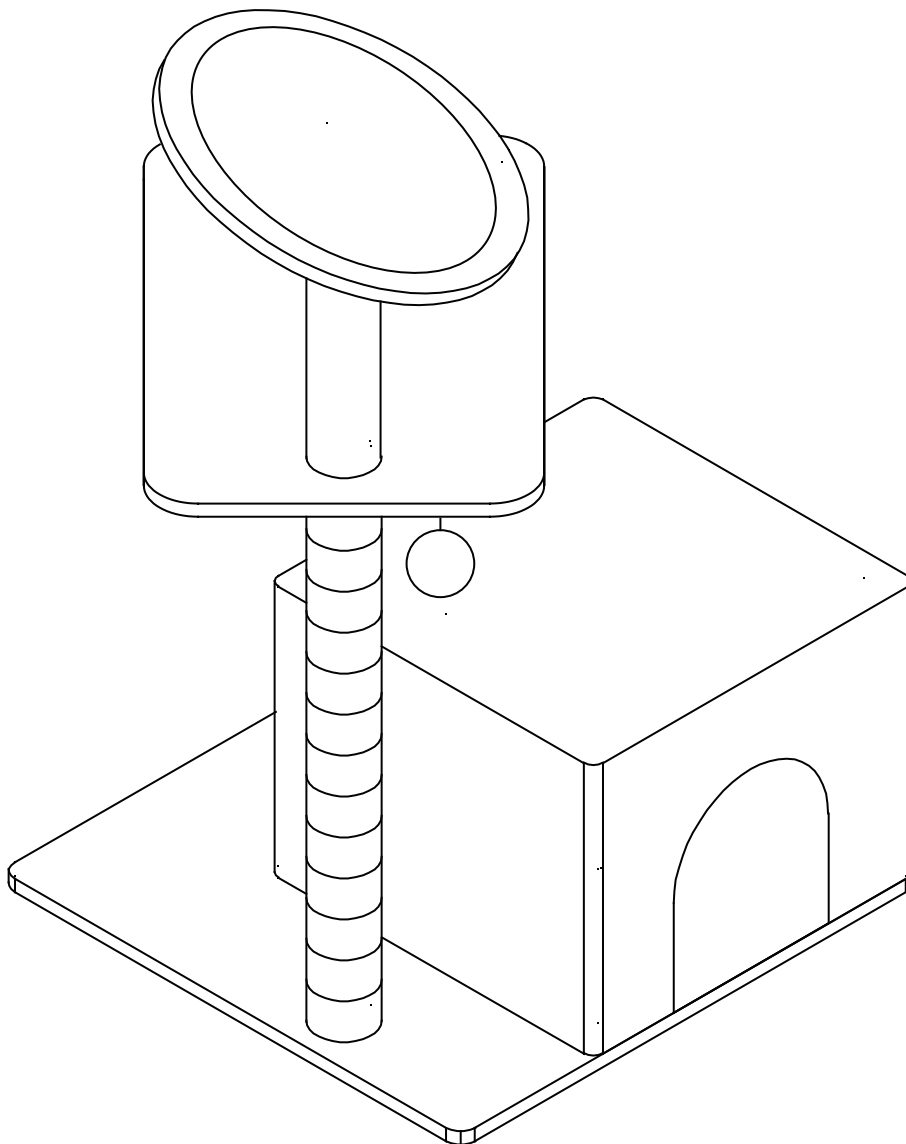


PawHut

INdha182_GL

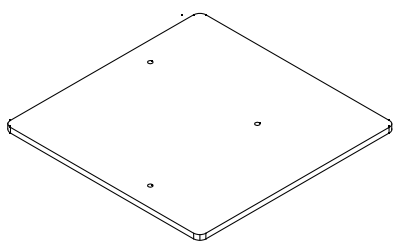
D30-476



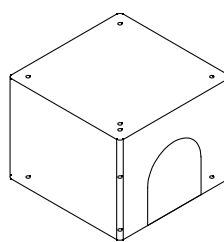
IMPORTANT, RETAIN FOR FUTURE REFERENCE: READ CAREFULLY

ASSEMBLY & INSTRUCTION MANUAL

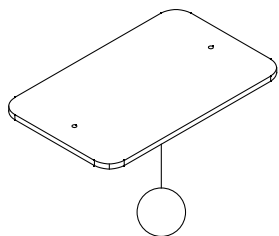
PARTS



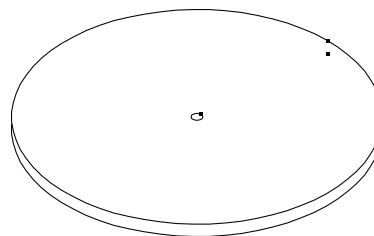
A1 x 1



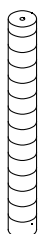
B1 x 1



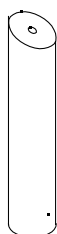
C1 x 1



D1 x 1



P1 x 2

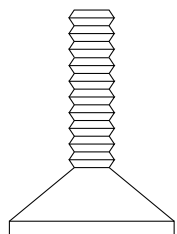


P2 x 1



P3 x 4

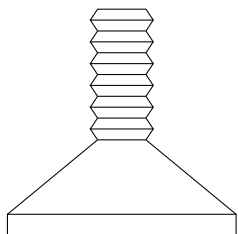
HARDWARE



W1 x11
M8*40
+1(spare)



W2 x 1
M8*70



W3 x 1
M8*25

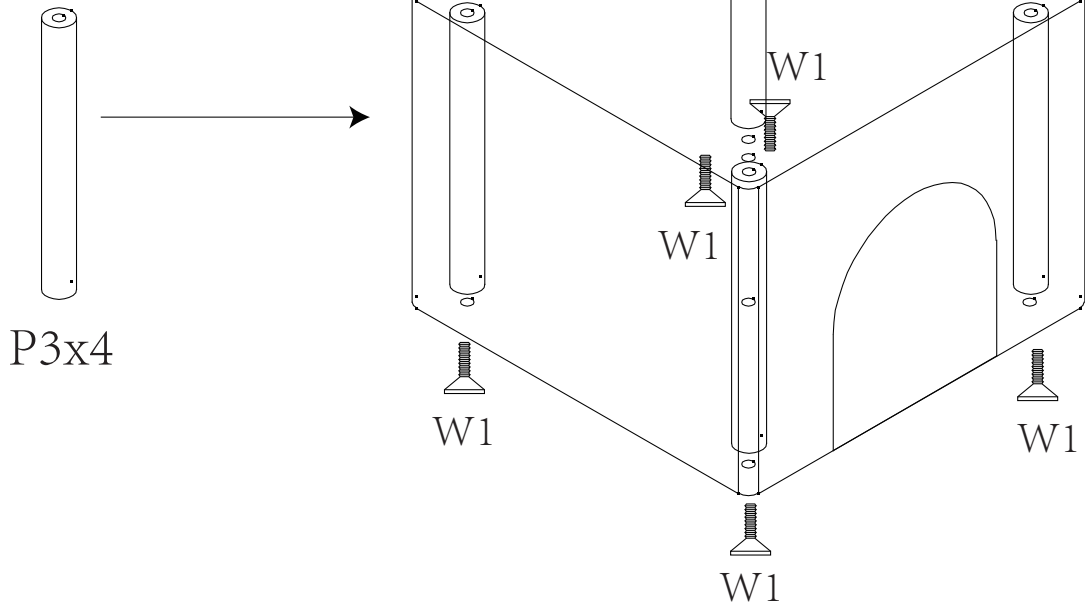


W4 x 1
M8*53



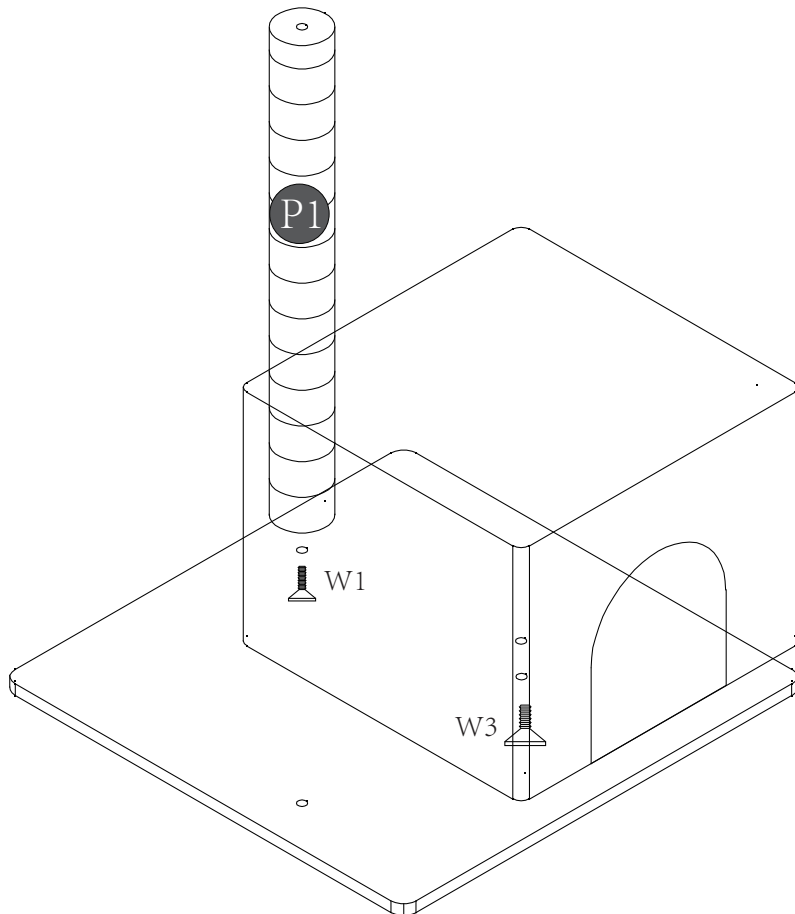
W5 x 1

W1 x 8
M8*40



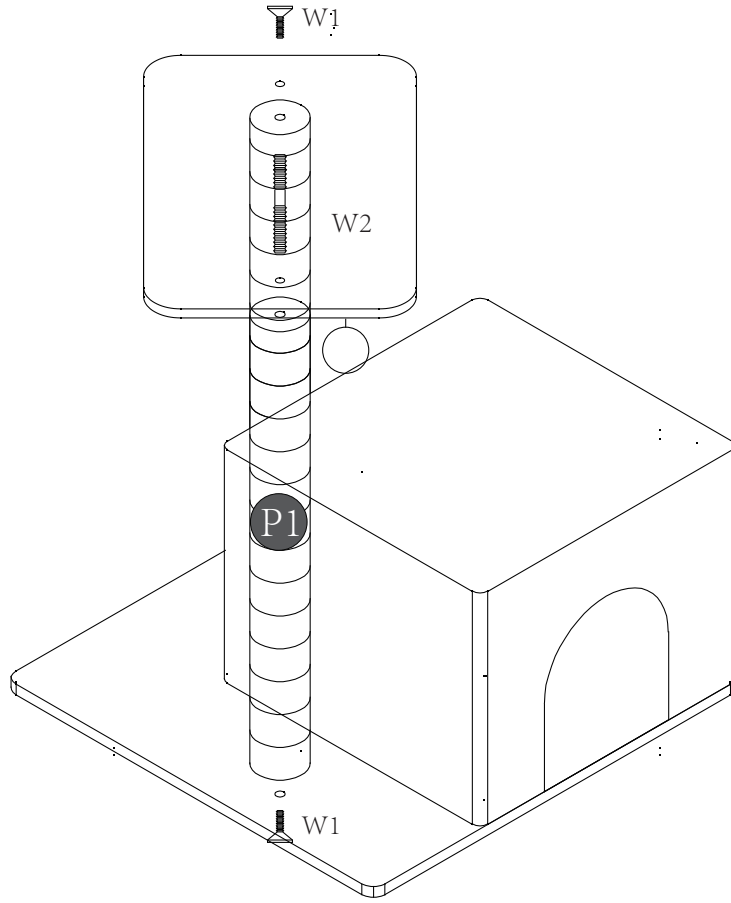
W1 x 1
M8*40

W3 x 1
M8*25



W1 x 2
M8*40

W2 x 1
M8*70



W4 x 1
M8*53

