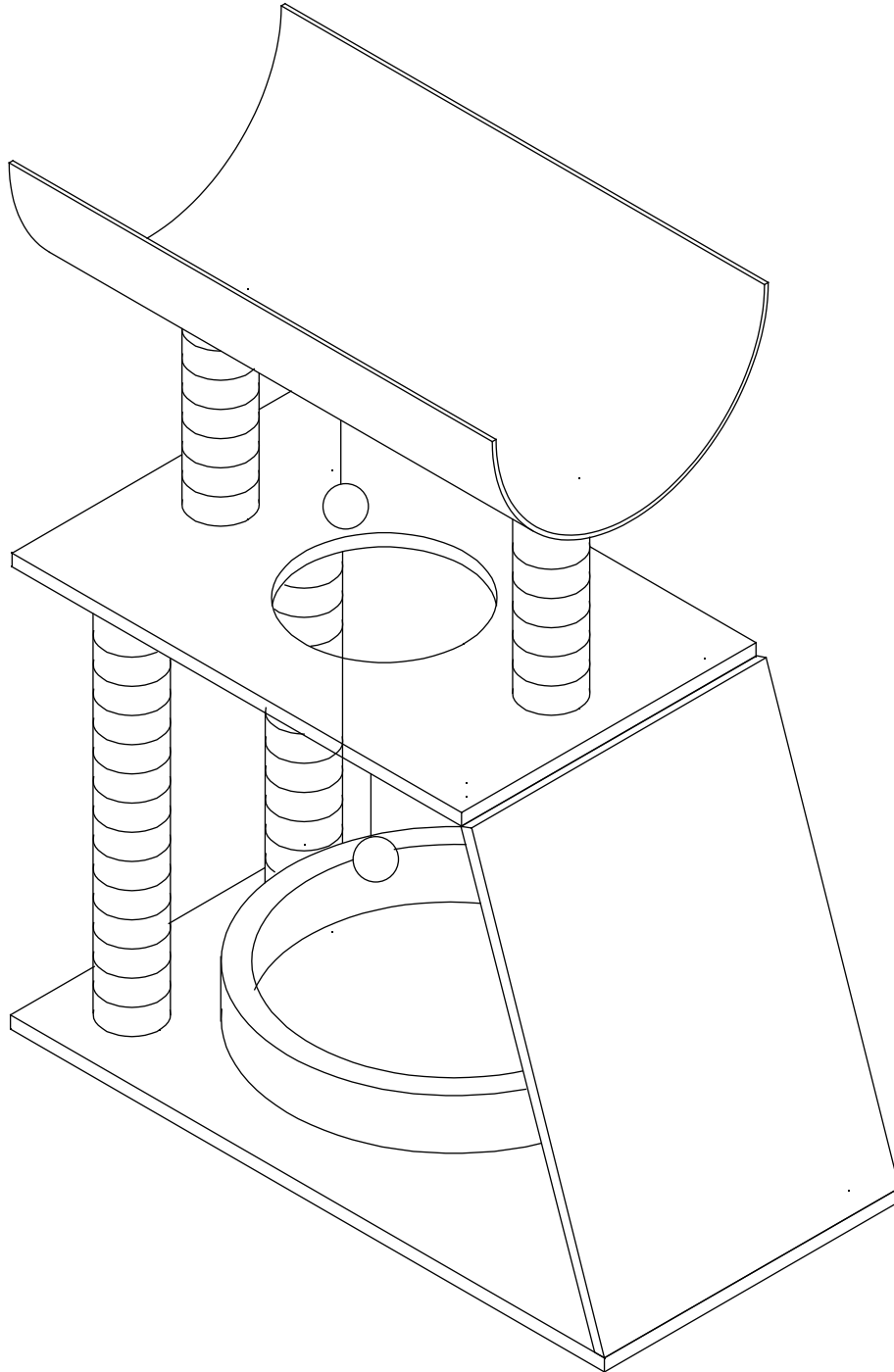


# PawHut

INdha183\_GL

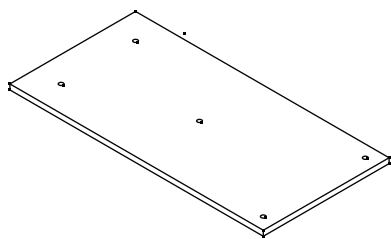
**D30-481**



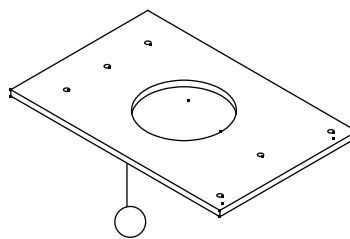
**IMPORTANT, RETAIN FOR FUTURE REFERENCE: READ CAREFULLY**

## ASSEMBLY & INSTRUCTION MANUAL

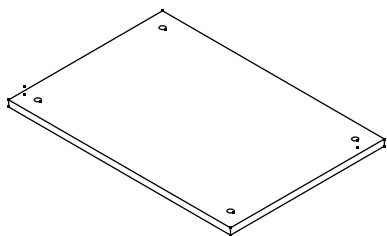
**PARTS**



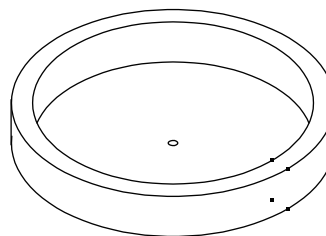
**A1** x 1



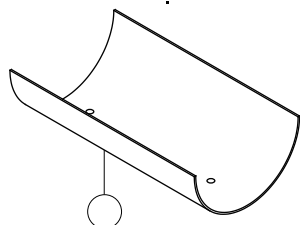
**B1** x 1



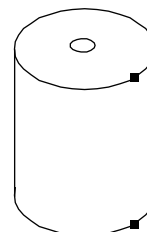
**C1** x 1



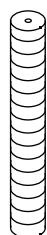
**D1** x 1



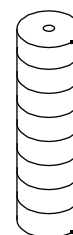
**E1** x 1



**P1** x 1

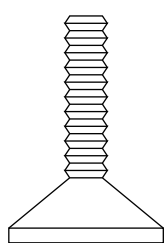


**P2** x 2

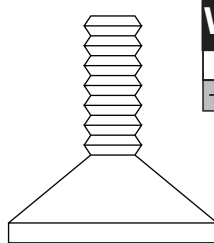


**P3** x 2

**HARDWARE**



**W1** x 9  
M8\*40  
+1(spare)



**W2** x 8  
M8\*15  
+1(spare)



**W3** x 1  
M8\*53



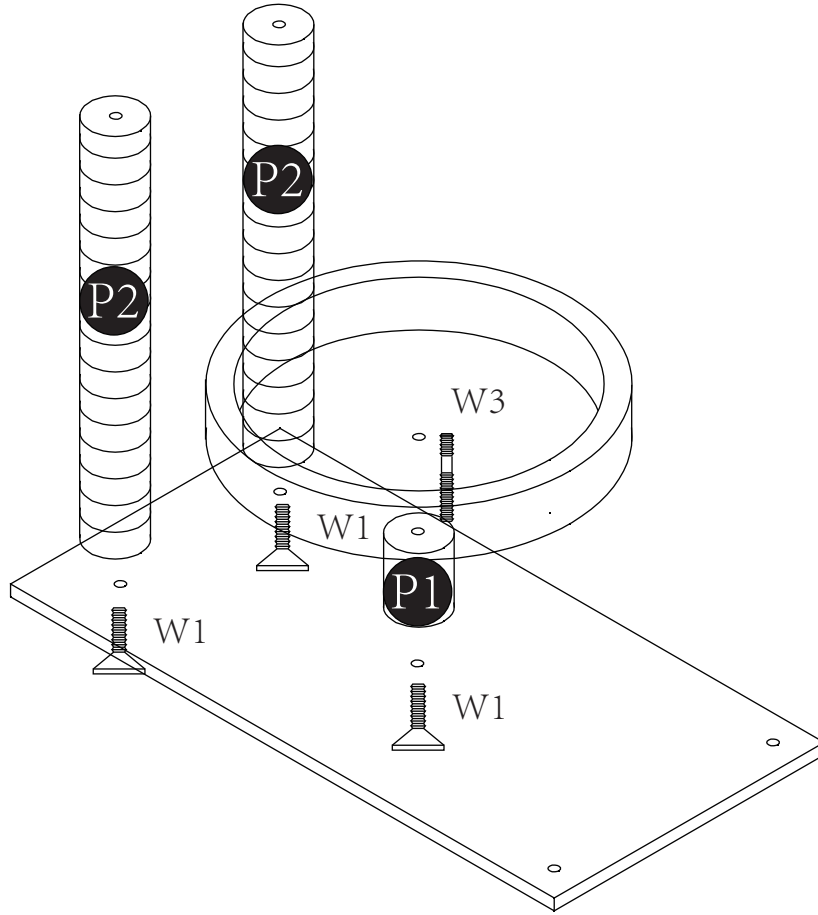
**W4** x 4



**W5** x 1

**W1** x 3  
M8\*40

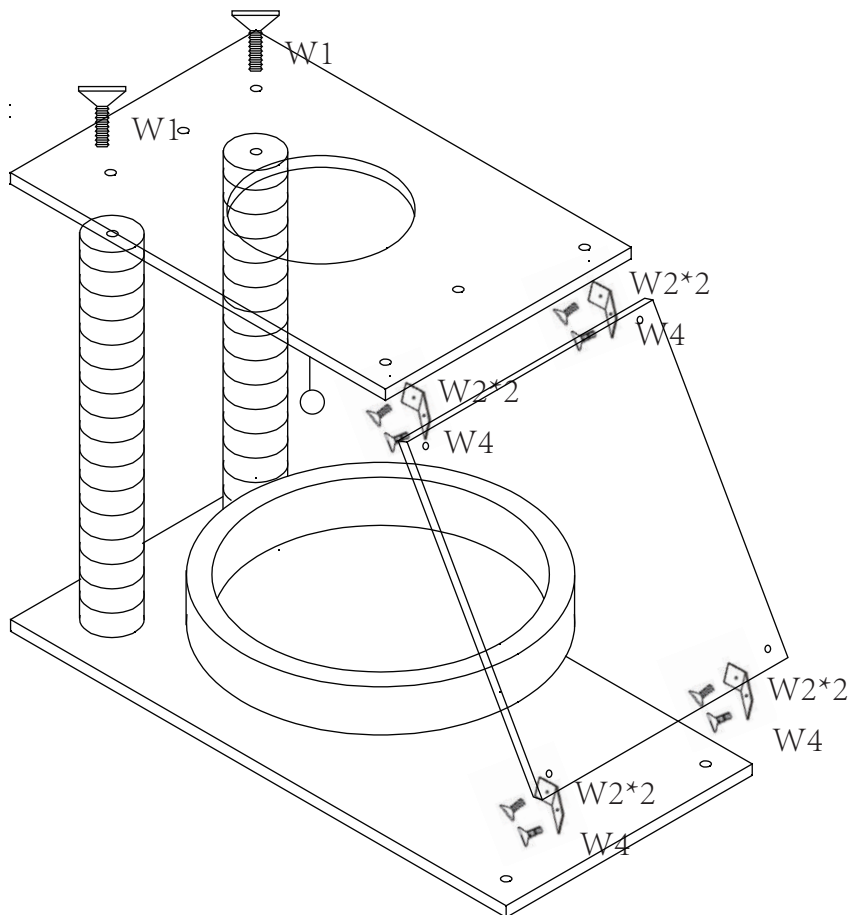
**W3** x 1  
M8\*53



**W1** x 2  
M8\*40

**W2** x 8  
M8\*15

**W4** x 4



W1 x 4  
M8\*40

