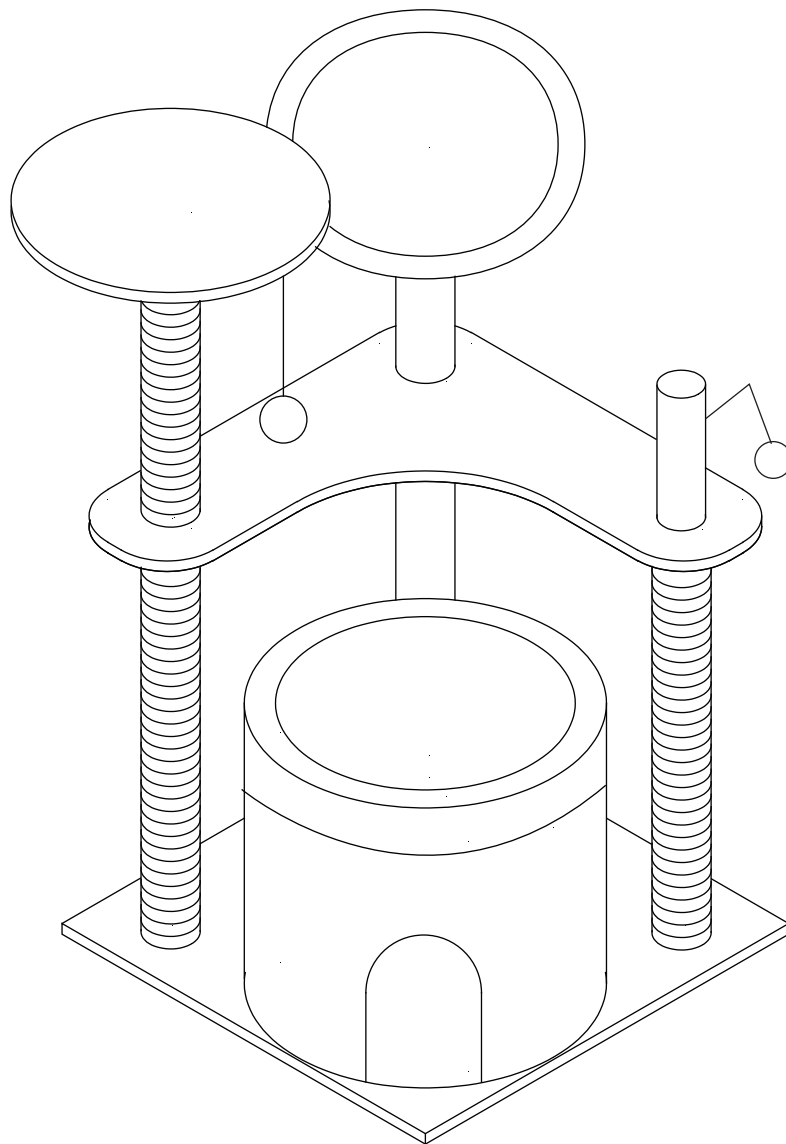


# PawHut

INdha184\_GL

**D30-482**

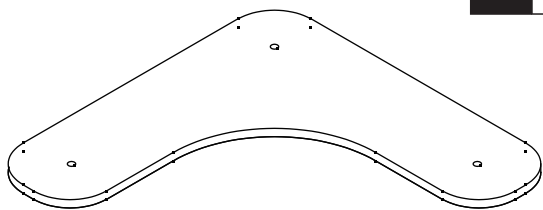


**IMPORTANT, RETAIN FOR FUTURE REFERENCE: READ CAREFULLY**

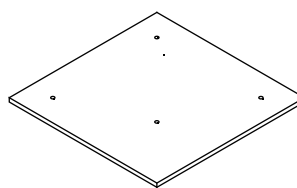
## ASSEMBLY & INSTRUCTION MANUAL

**PARTS**

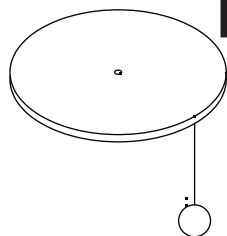
**A1 x 1**



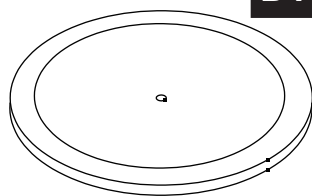
**B1 x 1**



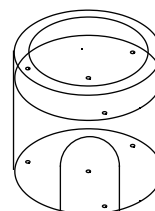
**C1 x 1**



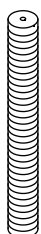
**D1 x 1**



**E1 x 1**



**P1 x 2**



**P2 x 1**



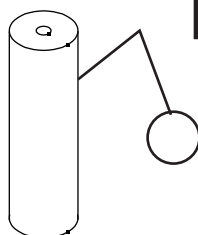
**P3 x 1**



**P4 x 1**



**P5 x 1**

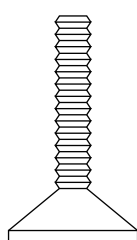


**P6 x 3**



**HARDWARE**

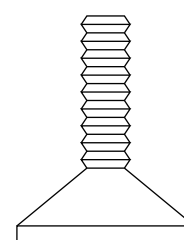
**W1 x 10**  
M8\*35  
+1(spare)



**W2 x 3**  
M8\*70



**W3 x 1**  
M8\*25



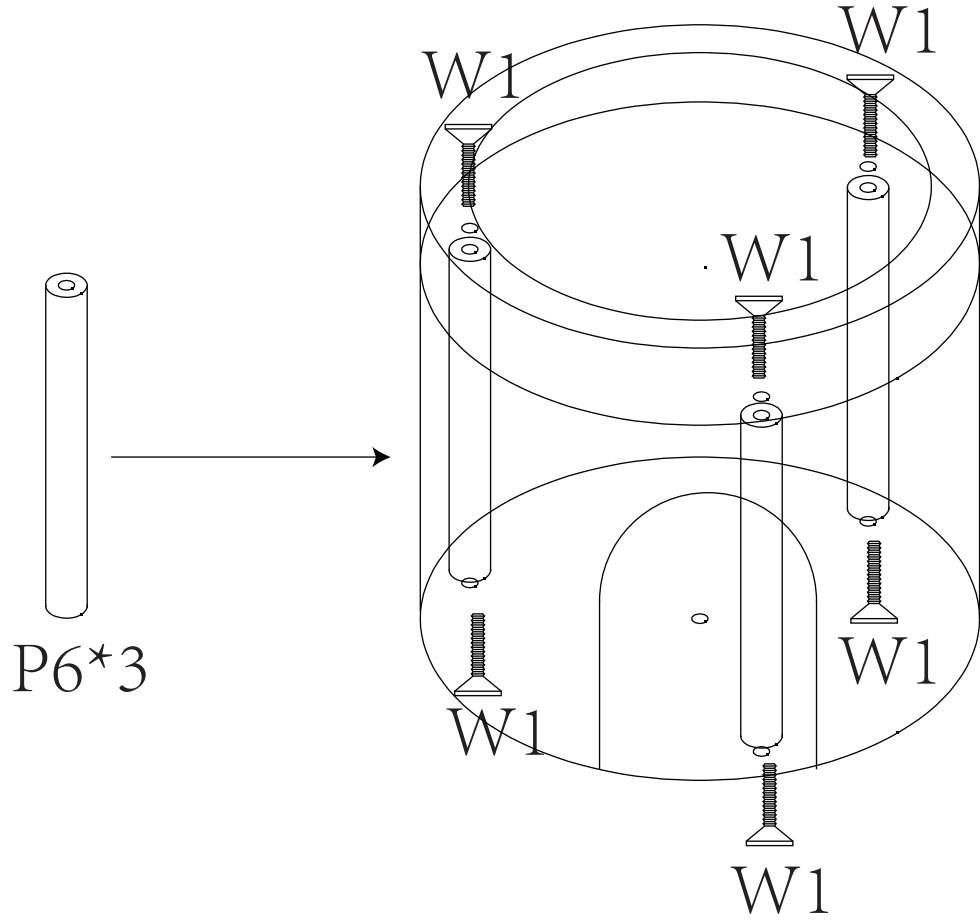
**W4 x 1**  
M8\*53



**W5 x 1**

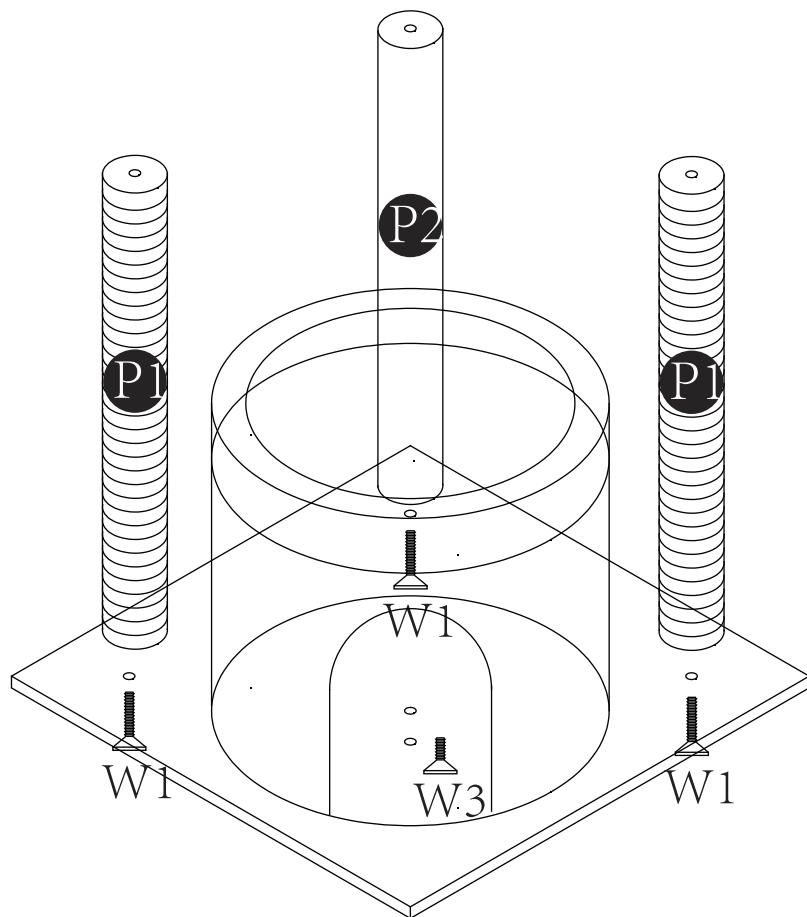


W1 x 6  
M8\*35



W1 x 3  
M8\*35

W3 x 1  
M8\*25



**W1** x 1  
M8\*40

**W2** x 3  
M8\*70

**W4** x 1  
M8\*53

