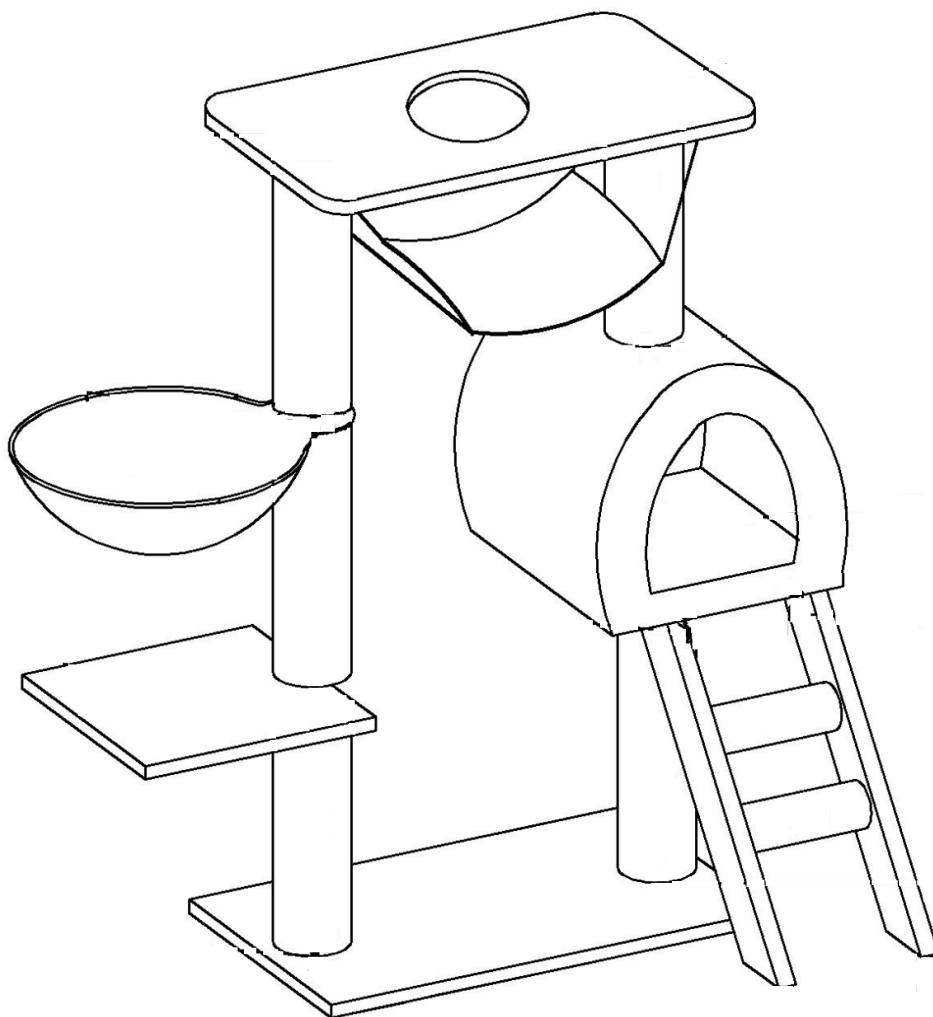


# PawHut

INdha191\_GL

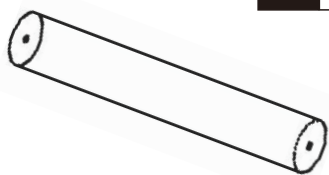
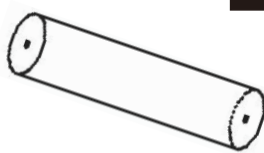
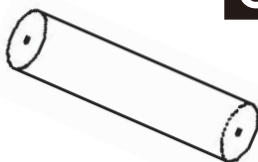
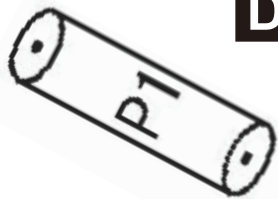

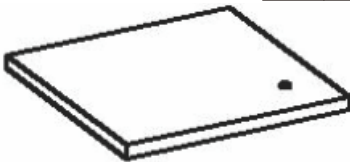
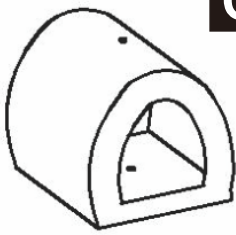

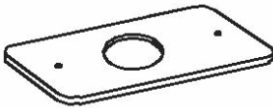



**D30-064V01**







IMPORTANT, RETAIN FOR FUTURE REFERENCE: READ CAREFULLY

## ASSEMBLY & INSTRUCTION MANUAL

**PARTS**

 <p><b>A</b> x 1</p>	 <p><b>B</b> x 2</p>	 <p><b>C</b> x 2</p>
 <p><b>D</b> x 2</p>	 <p><b>E</b> x 1</p>	 <p><b>F</b> x 1</p>
 <p><b>G</b> x 1</p>	 <p><b>H</b> x 1</p>	 <p><b>H</b> x 1</p>
 <p><b>G</b> x 1</p>	 <p><b>H</b> x 2</p>	 <p><b>H</b> x 2</p>

**HARDWARE**

 <p><b>1</b> x 4 M6*16</p>	 <p><b>2</b> x 8 M8*40 +1(spare)</p>
 <p><b>3</b> x 2 M8*80</p>	 <p><b>4</b> x 1</p>

