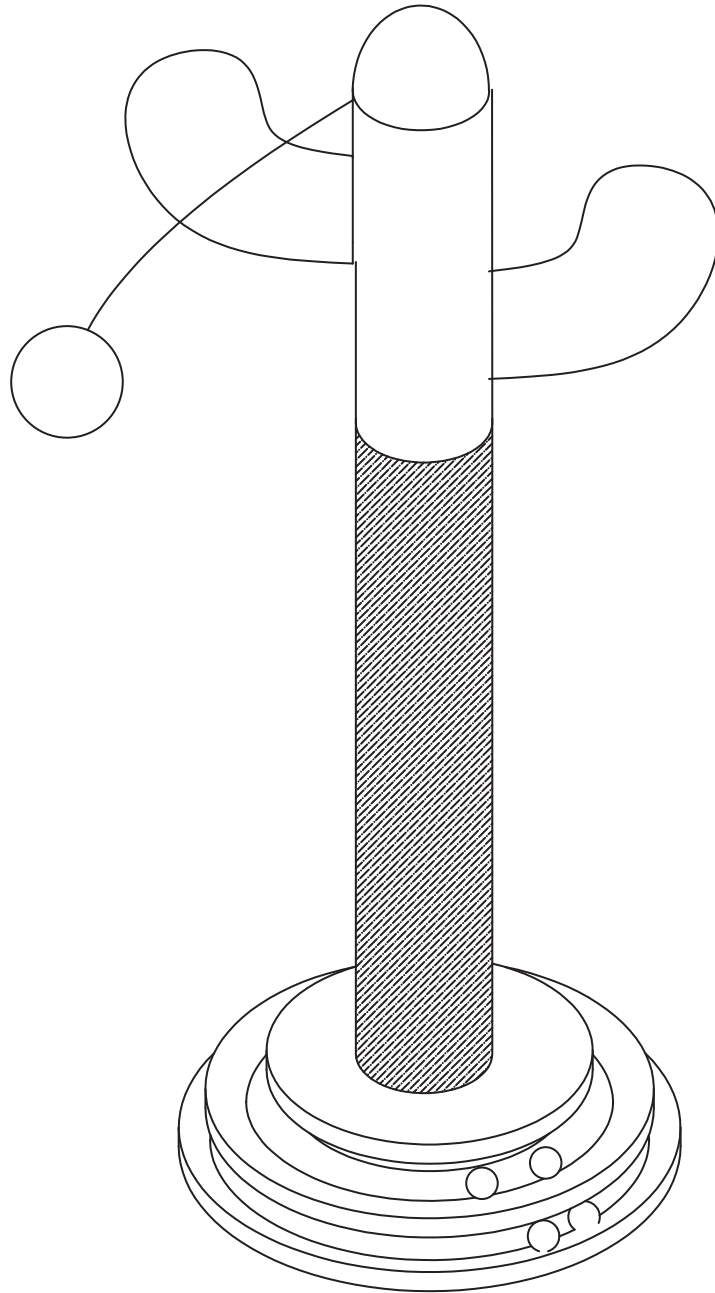


PawHut!

INdhc008_GL

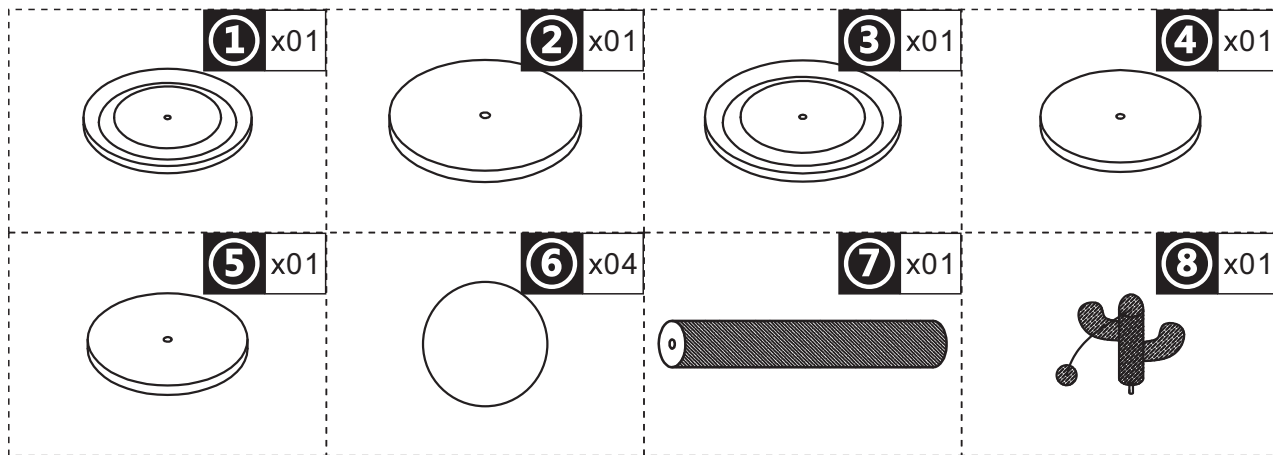
D30-453



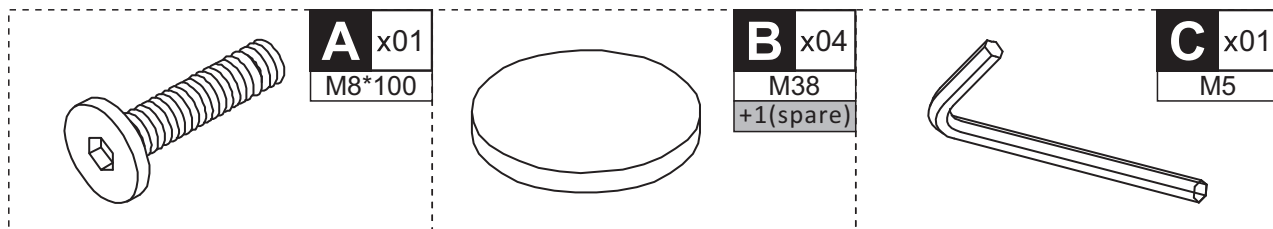
IMPORTANT, RETAIN FOR FUTURE REFERENCE: READ CAREFULLY

ASSEMBLY & INSTRUCTION MANUAL

PARTS

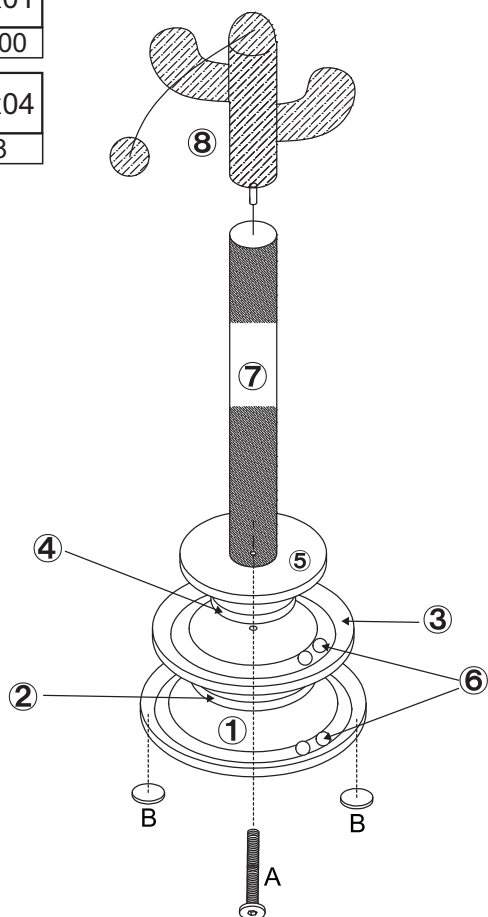


HARDWARE



01

- A** x01
M8*100
- B** x04
M38



02

