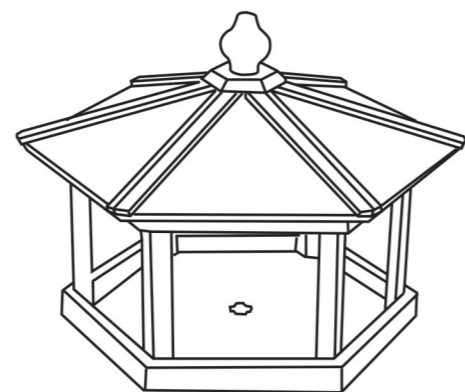
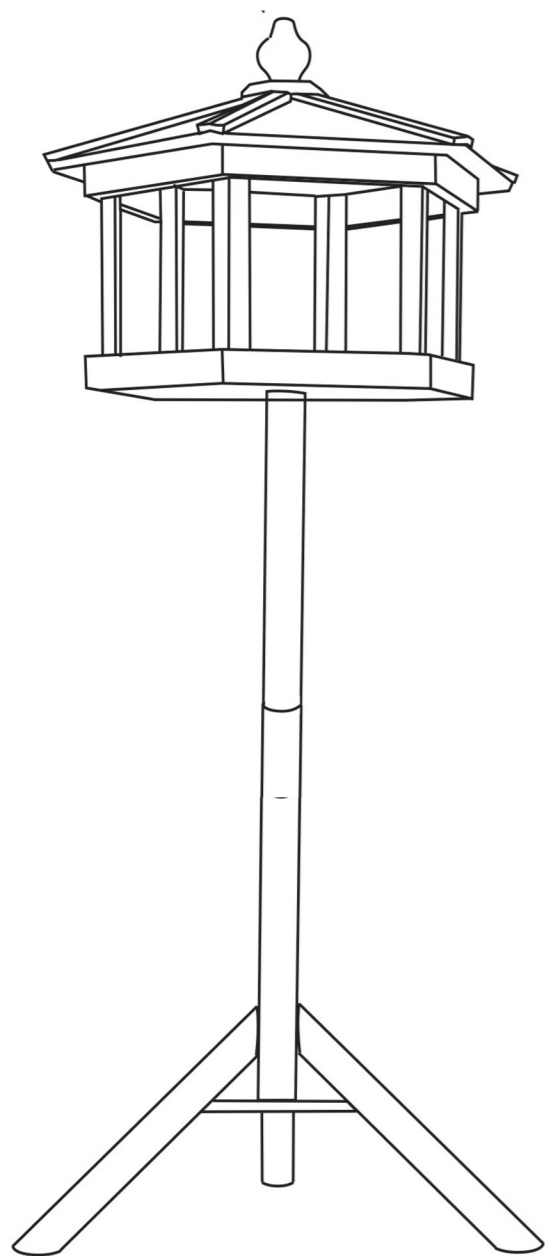
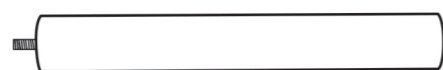




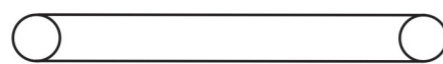
Assembly Instructions



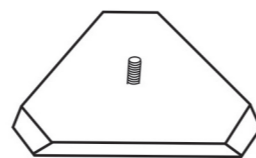
Ax1



Bx2



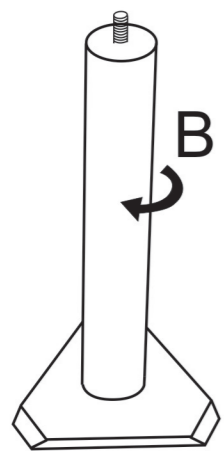
Cx3



Dx1

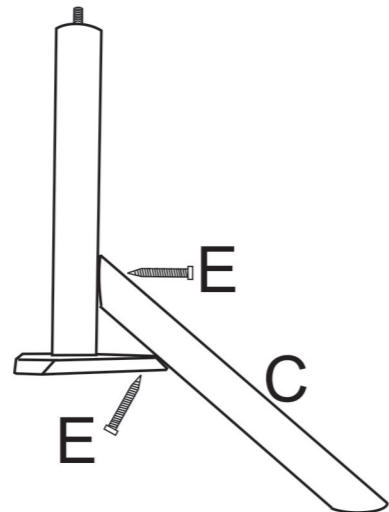


Ex6

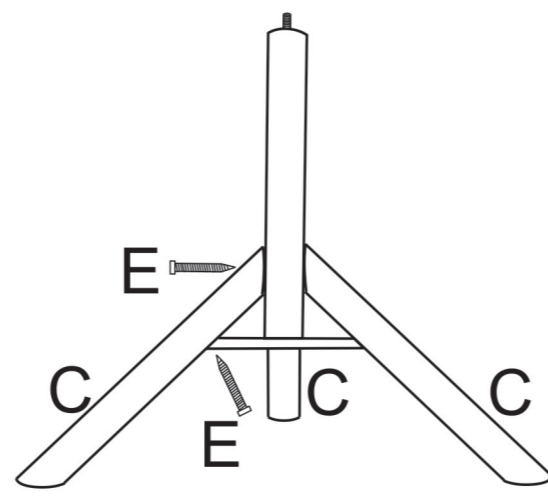


D

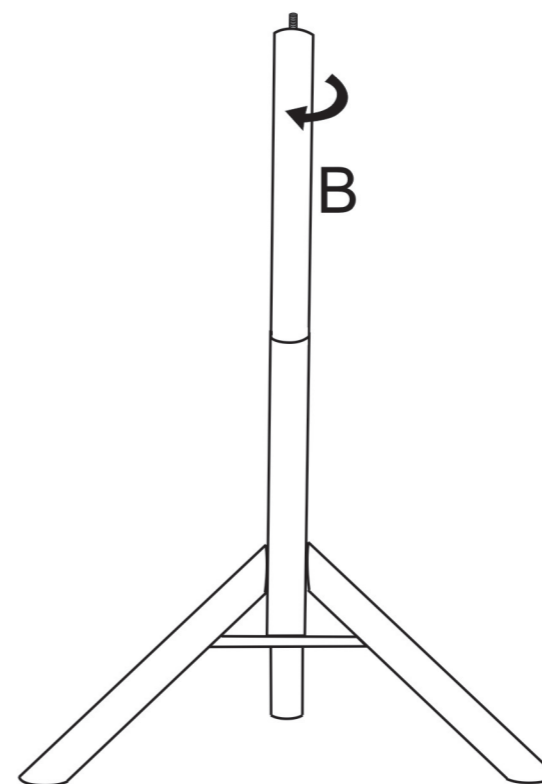
Step1



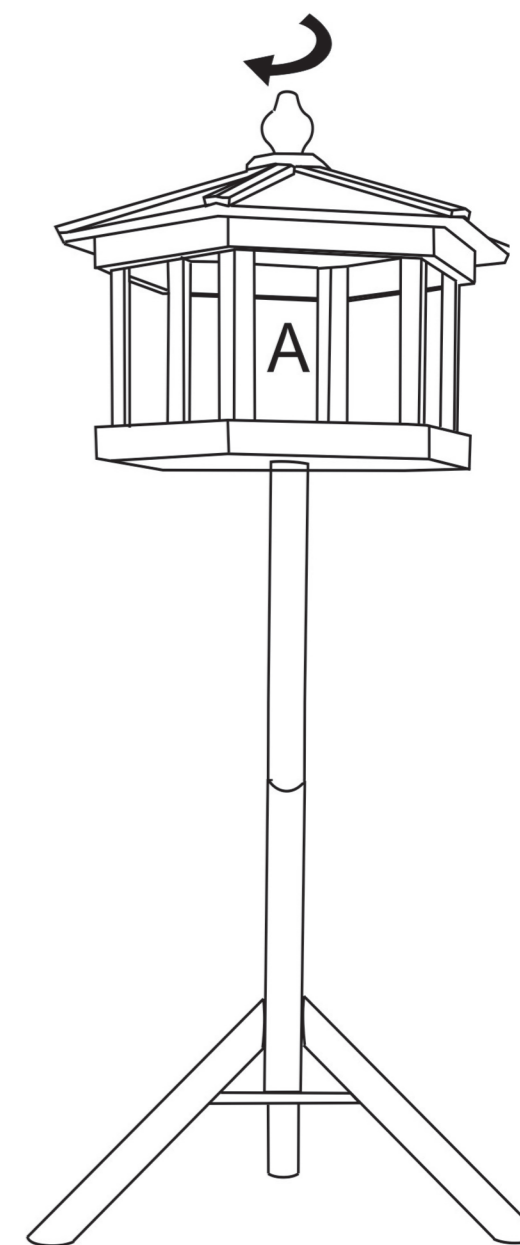
Step2



Step3



Step4



Step5