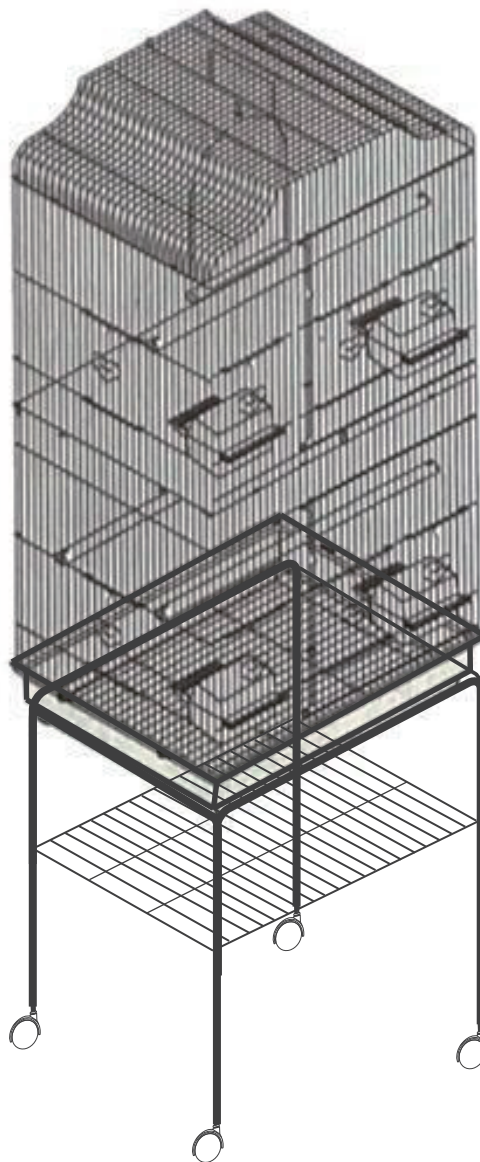


# PawHut

INdia007\_GL

**D10-019V01**

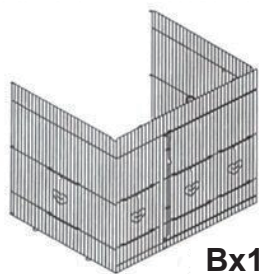


READ AND SAVE THIS INSTRUCTIONS FOR FUTURE USE

## ASSEMBLY & INSTRUCTION MANUAL



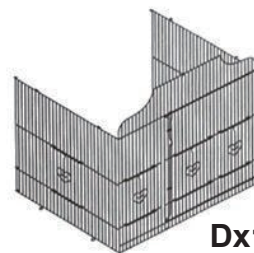
**Ax1**



**Bx1**



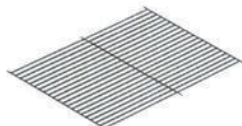
**Cx1**



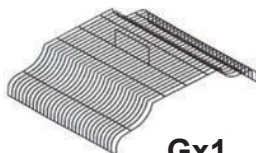
**Dx1**



**Ex1**



**Fx1**



**Gx1**



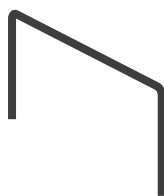
**Hx1**



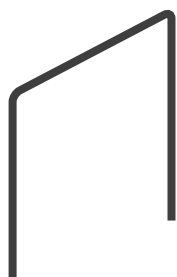
**Ix3**



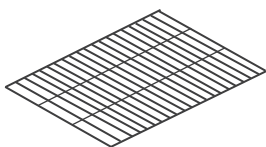
**Jx4**



**Kx2**



**Lx2**



**Mx1**



**Nx4**



**Ox8**



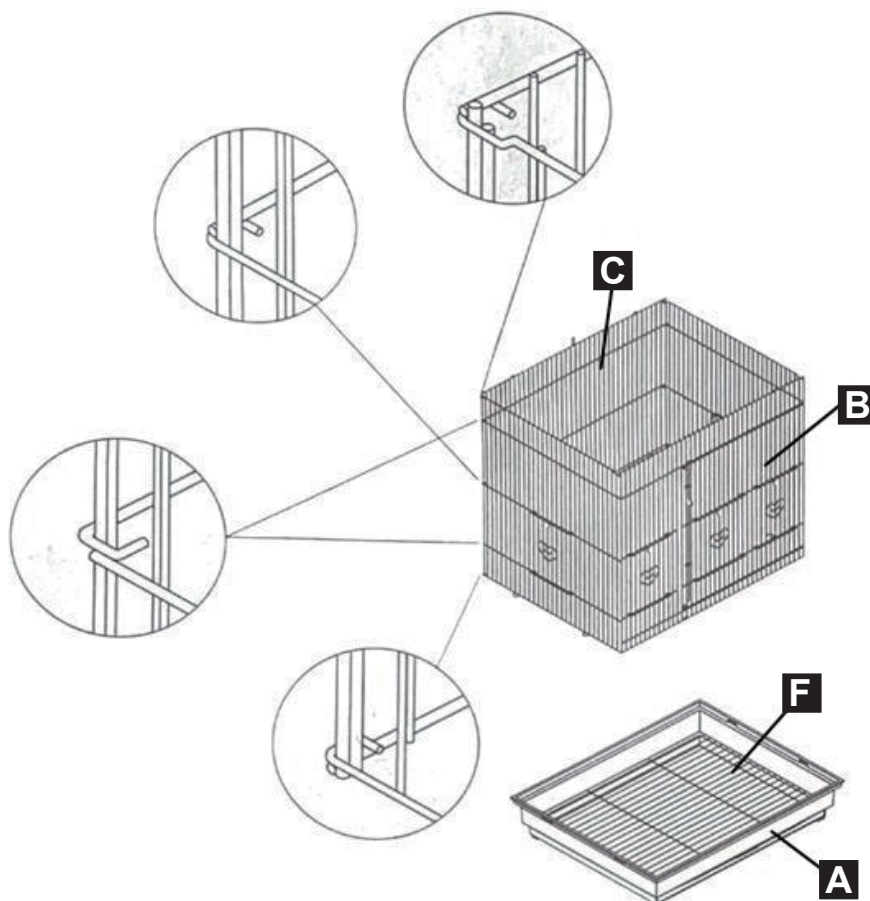
**Px8**

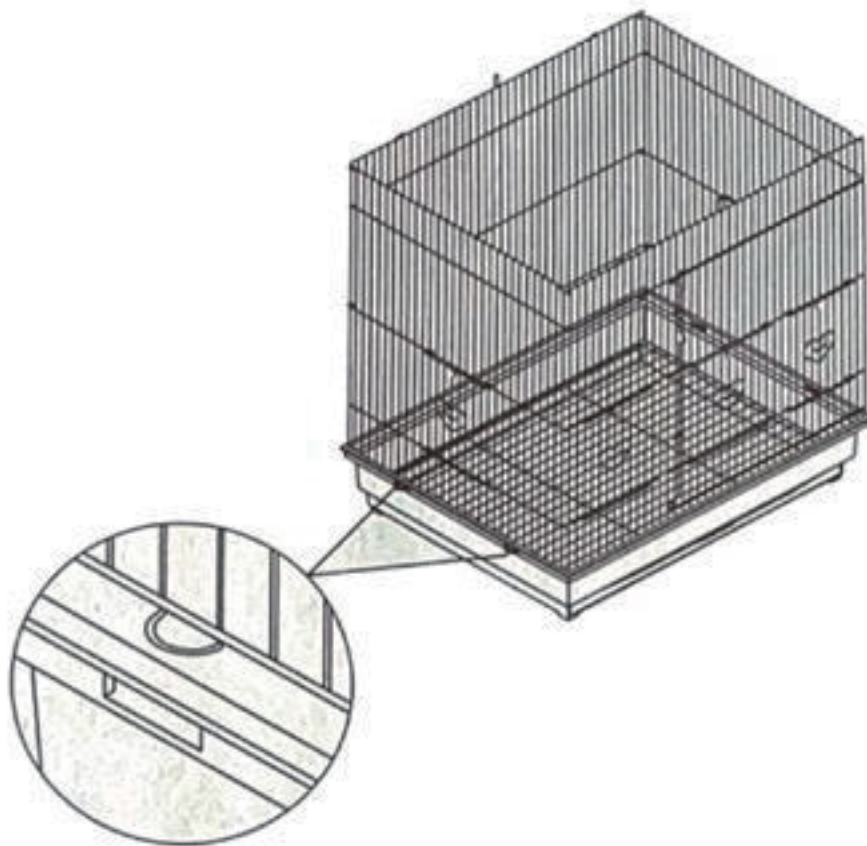
**A**x 1

**B**x 1

**C**x 1

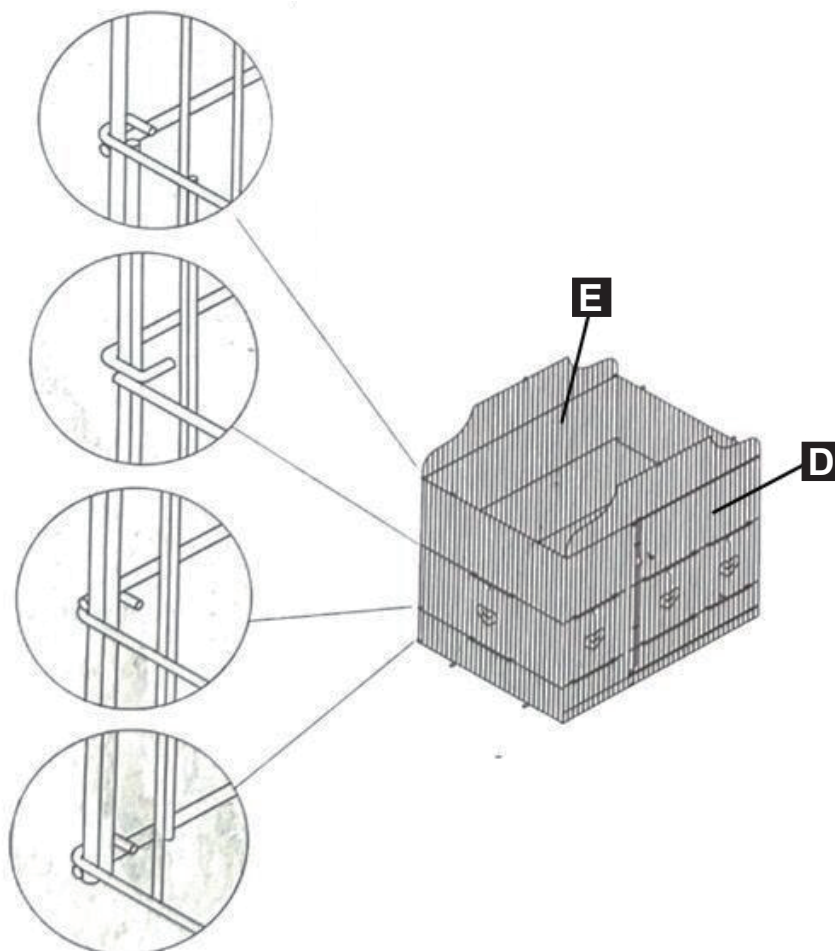
**F**x 1

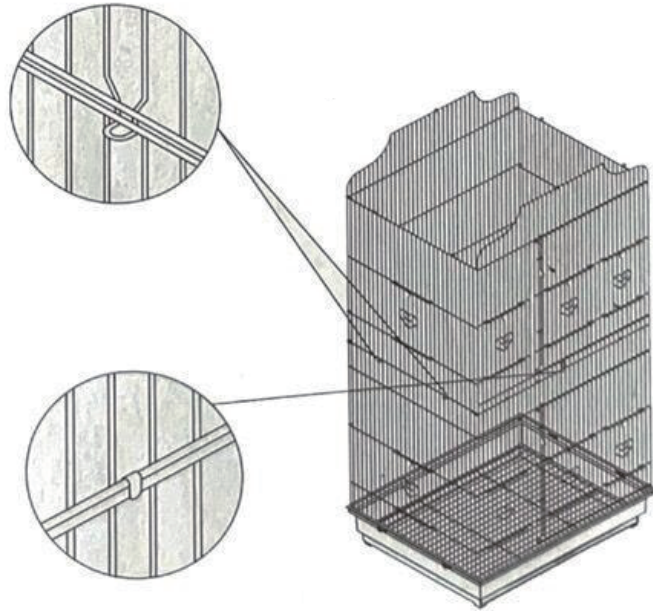




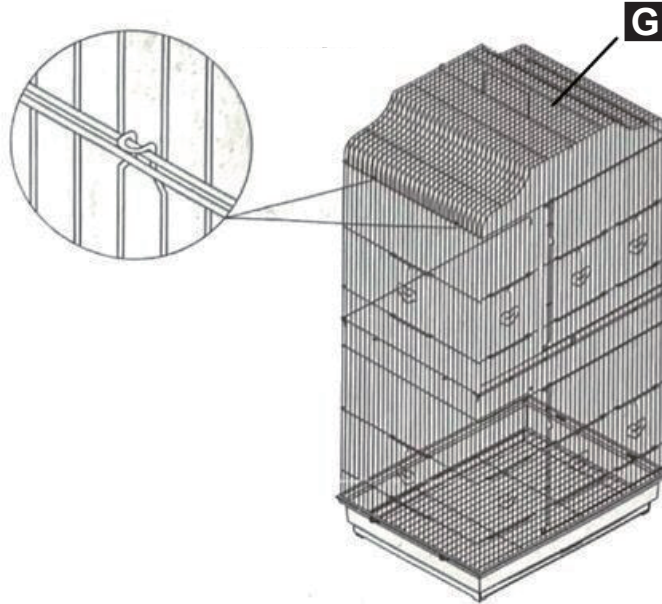
**E** x 1

**D** x 1





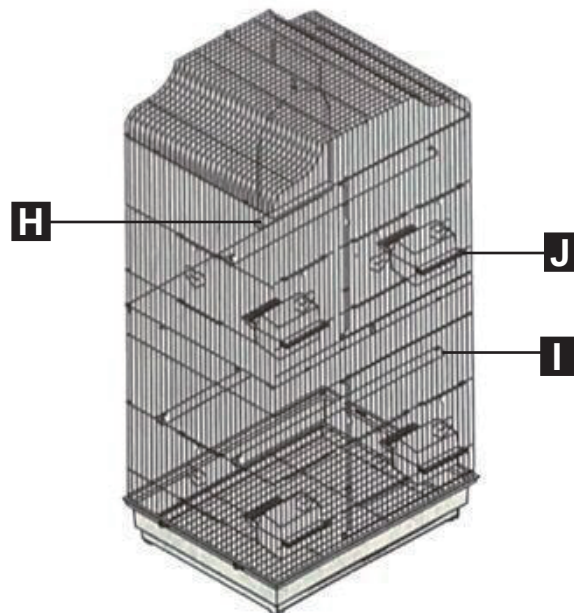
**G** x 1

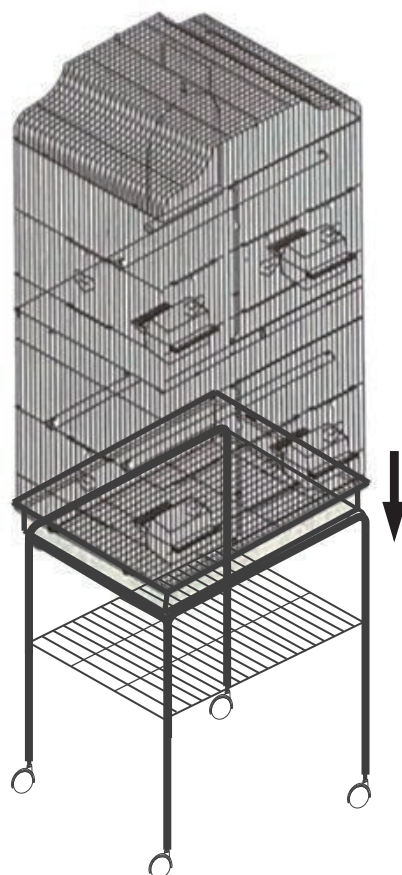
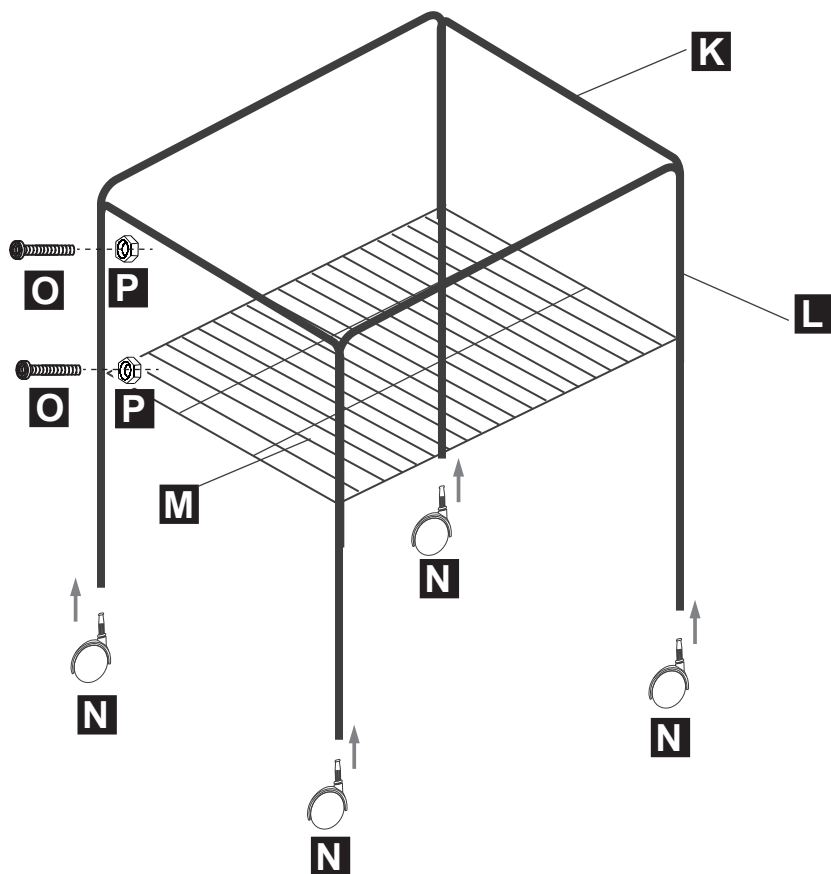


**H** x 1

**I** x 3

**J** x 4



**K** x 2**L** x 2**M** x 1**N** x 4**O** x 8**P** x 8

US



001-877-644-9366  
customerservice@aosom.com

CA



001-855-537-6088  
customerservice@aosom.ca

UK



0044-800-240-4004  
enquiries@mhstar.co.uk

DE



0049-(0)40-88307530  
service@aosom.de

FR



0033-1-84166106  
contact@aosom.fr

ES



0034-931294512  
atencioncliente@aosom.es

IT



0039-0249471447  
clienti@aosom.it