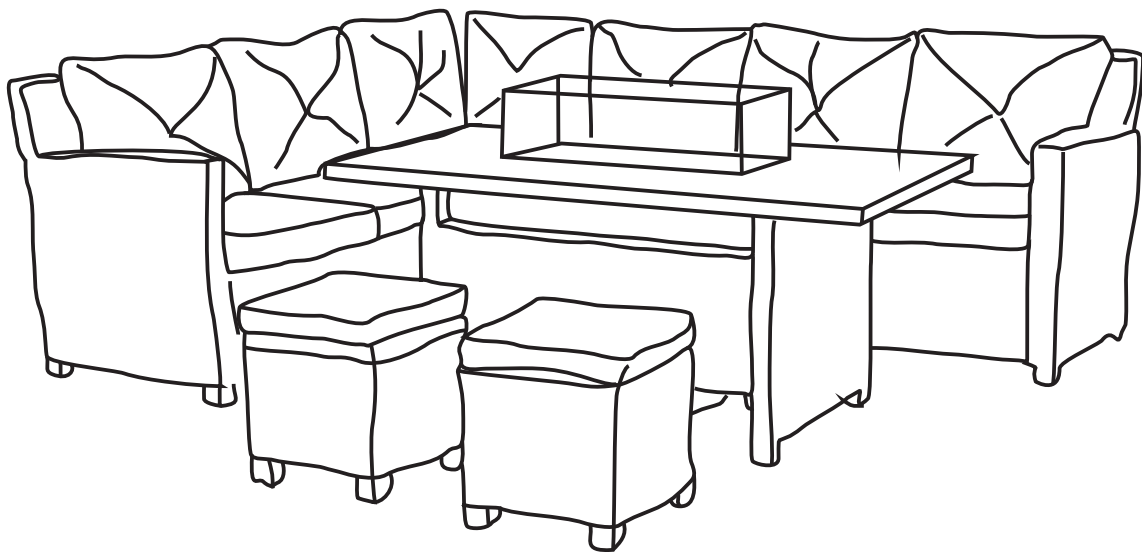




INedc017_UK

860-170



READ AND SAVE THIS INSTRUCTIONS FOR FUTURE USE

ASSEMBLY & INSTRUCTION MANUAL

Garden Chairs

IMPORTANT-KEEP THIS INFORMATION FOR YOUR SUBSEQUENT CONSULTATION: READ CAREFULLY

Only for domestic use

Use tips:

- *Put the chair stably on a flat floor.
- *Mount the garden chairs in the shelter of the weather.
- *Stay away from open flames.
- *Don't hang anything in the structure.
- *Avoid the overload at the anchors/structure.
- *It is advised that don't stay on the chairs when there is a storm.
- *It is recommended to protect in case of strong wind or rain and in your absence.

Precautions before assembly:

- *Prepare a clean and dry mounting area.
- *Verify that the product is not damaged.
- *Check that none of the pieces are missing.

Maintenance:

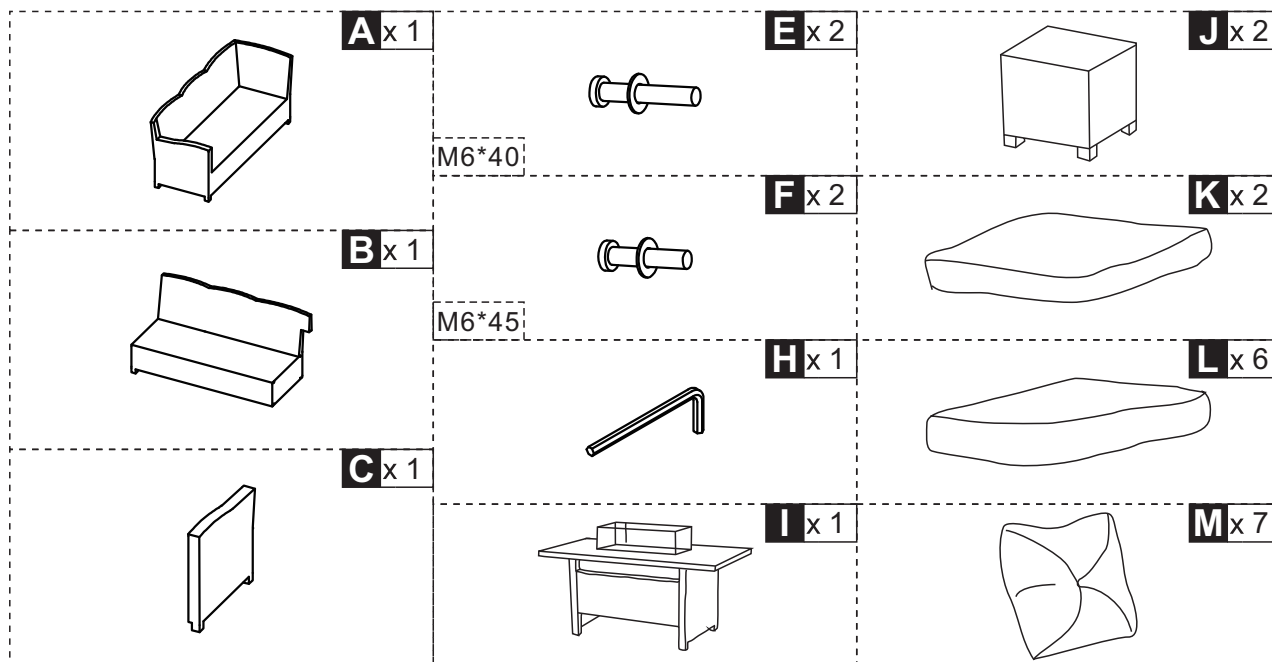
- *Clean with a soft fabric.
- *Regularly remove leaves and / or water collected on the canvas.
- *Check the chair regularly.

Storage conditions:

*The fabric should be stored completely dry, in a clean and dry place to avoid the risks of mold.

Caution with the risks of pinching or cuts during assembly.

The manufacturer declines all responsibility in case of damages due to a bad installation or due to weather.



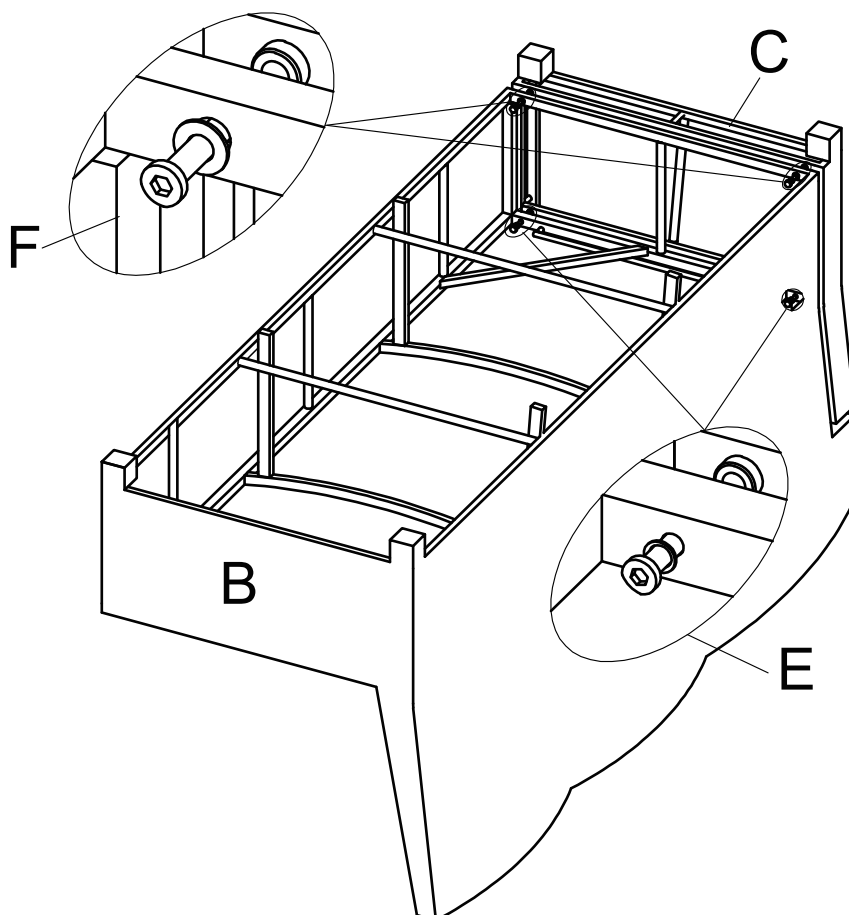
Note : Do not tighten bolts fully until all parts are connected!

Note : Ne serrez pas les boulons à fond tant que toutes les pièces ne sont pas connectées!

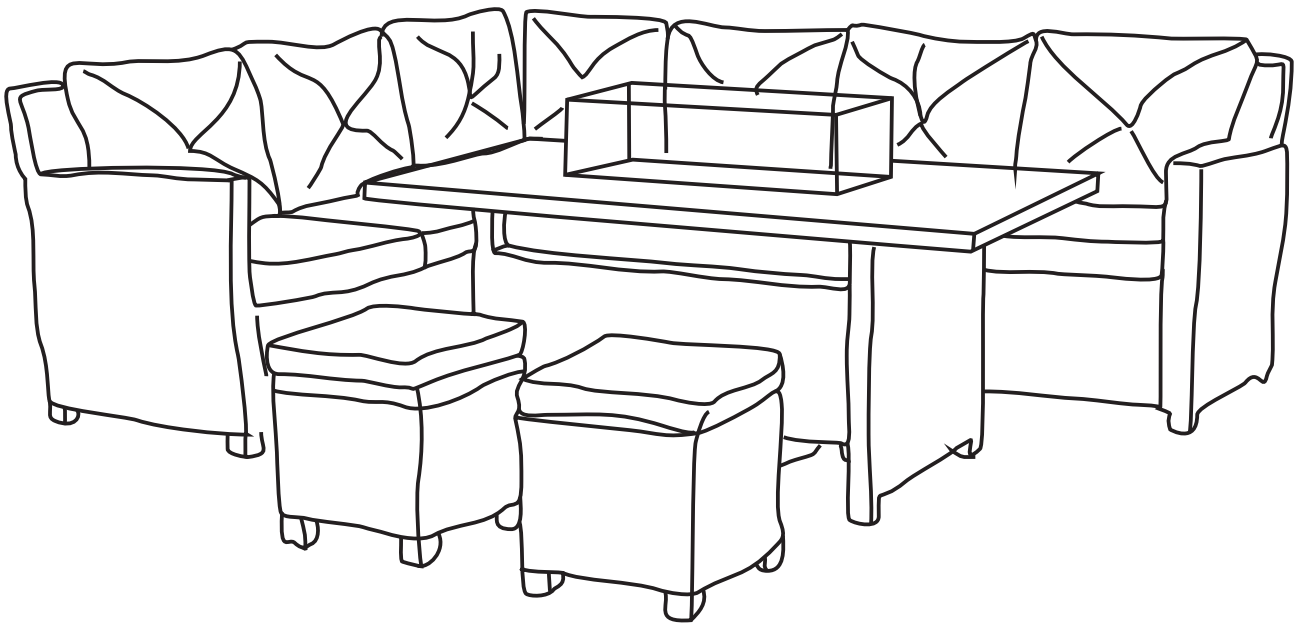
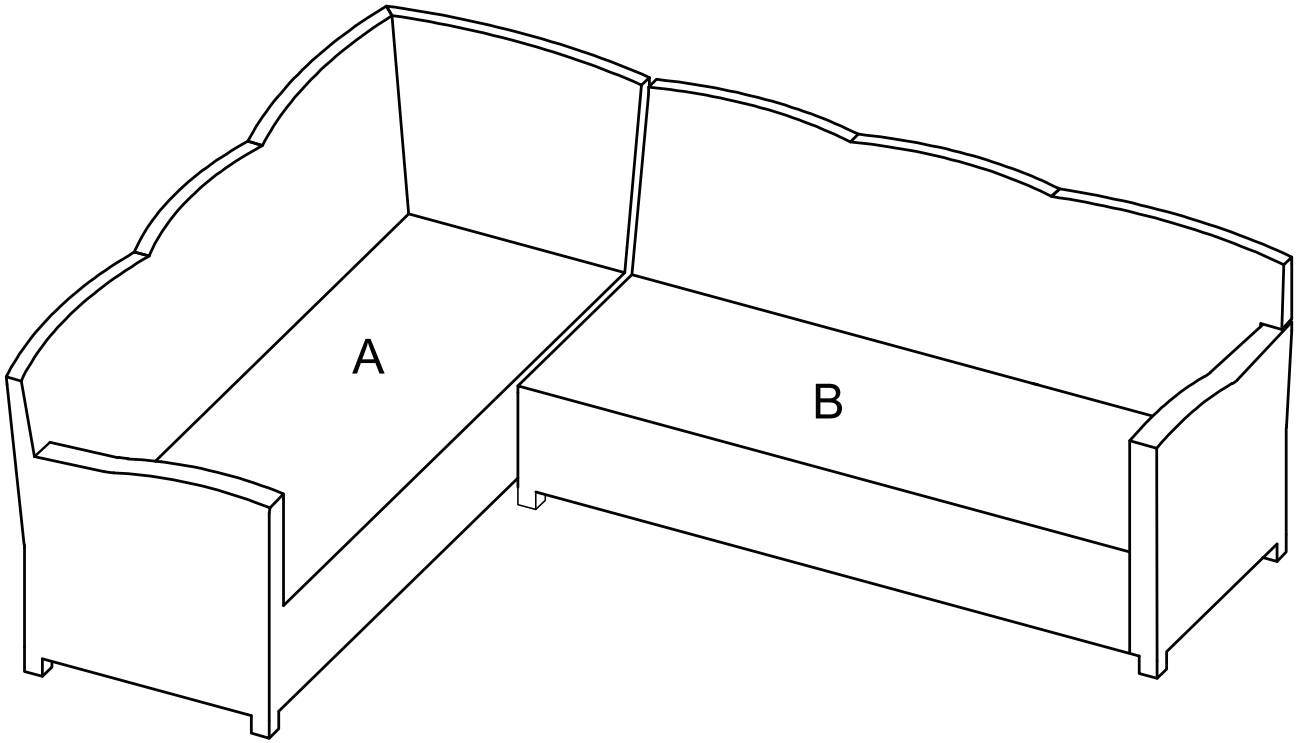
Hinweis: Ziehen Sie die Schrauben erst fest an, wenn alle Teile verbunden sind!

Nota: non serrare completamente i bulloni fino a tutte le parti non sono ancora collegate!

Nota: No apriete los tornillos completamente hasta que todas las partes están conectadas!

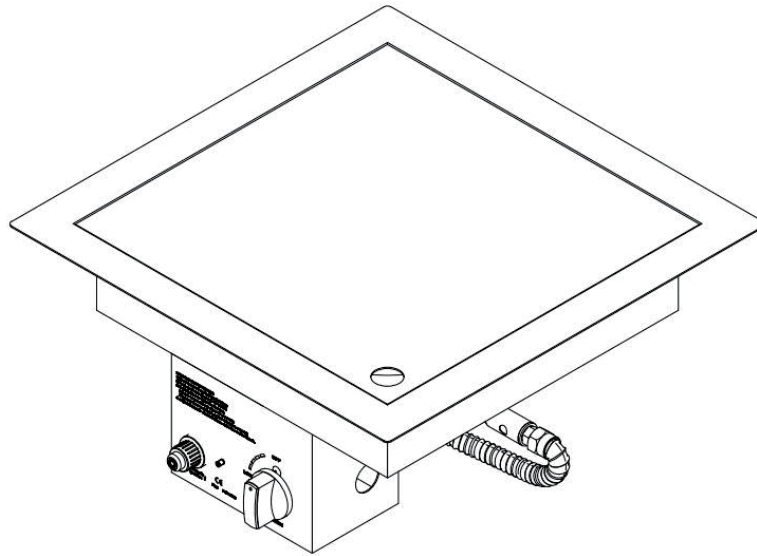


01



GAS FIRE PIT

Assembly & Operation Instruction



This appliance is intended for decorative purposes

Warning: For Outdoor use only!

Not for commercial use!

PRIOR TO USE:

- ⚠ Read the instructions before using the appliance.
- ⚠ Only to be used outdoors
- ⚠ Do not move the appliance during use
- ⚠ Any modification of the appliance may be dangerous
- ⚠ Parts sealed by the manufacturer or his agent must not be altered by the user.
- ⚠ Do not modify the appliance.

DANGER:

If you smell gas:

1. Shut off gas supply to appliance.
2. Extinguish any open flame, avoid using any electrical appliance.
3. Open lid and ventilate the area.
4. Check gas connections for leaks with soap solution.
5. If odor still exists, immediately contact your

gas supplier or fire department.

IMPORTANT:

Hazardous fire or explosion may result if these instructions are ignored.

It is the user's responsibility to see that this fire-pit is properly assembled, installed, and taken care of. Failure to follow instructions in this manual could result in serious bodily injury and/or property damage.


Any modification of the appliance, misuse, or failure to follow the instructions may be dangerous.

WARNING:

- ⚠ Accessible parts may be very hot. Keep young children and pets away.
- ⚠ Do not store or use petrol or other flammable vapor or liquids in the vicinity.

1. Information.....	3
2. Safety instructions.....	4
3. Parts List.....	5
4. Assembly instructions.....	6-7
5. Operating instructions.....	8
6. Cleaning and maintenance.....	9-10
7. Troubleshooting.....	11

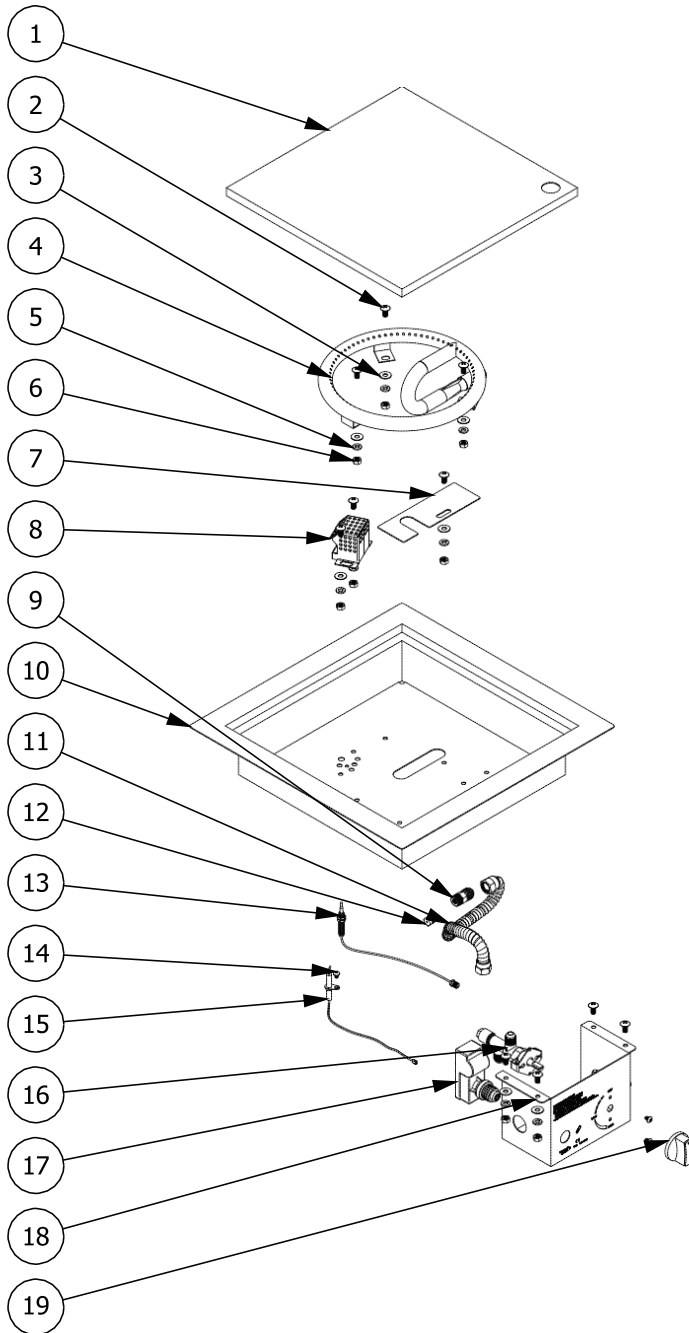
1. Information

Product Name	Gas firepit system		
Model Number	MJT-741		
Cat	I3+(28-30/37)	I3B/P(30)	I3B/P(50)
Country Code	BE, CH, CY, CZ, ES, FR, GB, GR, IE, IT, LT, LU, LV, PT, SK, SI	BE, CY, DK, EE, FI, FR, HU, IT, LT, NL, NO, SE, SI, SK, RO, HR, TR, BG, IS, LU, MT	AT, CH, DE, SK
Gas Type and Pressure	G30 Butane at 28-30mbar and G31 Propane at 37mbar	G30 Butane and G31 Propane at 30mbar	G30 Butane and G31 Propane at 50mbar
Rating	8.8KW(640g/h)	8.8KW(640g/h)	8.8KW(640g/h)
Orifice	1.45mm	1.45mm	1.30mm
Serial Number			
 CAUTION:			
USE OUTDOORS ONLY			
Read the instructions before use.			
This appliance is intended for decorative purposes			
This appliance requires a hose and regulator which are defined in the instruction			
WARNING: THIS APPLIANCE HAS A NAKED FLAME, A SUITABLE GUARD SHOULD BE USED FOR THE PROTECTION OF YOUNG CHILDREN AND VUNERABLE ADULTS.			
This appliance must be installed in accordance with the rules in force, and used only in a sufficiently ventilated space. Consult instructions before installation and use of this appliance.			
The use of this appliance in enclosed areas can be dangerous and is PROHIBITED .			
Be careful, accessible parts may be very hot. Keep away from young children and pets.			
No part of the guard shall be permanently removed. IT DOES NOT GIVE FULL PROTECTION FOR YOUNG CHILDREN AND VUNERABLE ADULTS.			
Close the valve of the gas cylinder or the regulator after use.			
NOT TO BE USED FOR THE HEATING OF DOMESTIC PREMISES			
The appliance shall be used for outdoor space heating only			
The appliance shall not be used in basements or below ground level			

2. Safety instructions

- ⚠ Leak test all connections after each tank refilled or first use after a long period, by which the method is described in the “Operating instructions” part.
- ⚠ This fire-pit is NOT for commercial use.
- ⚠ Never use an LP gas tank with damaged body, valve, collar, or footing.
- ⚠ The use of alcohol, prescription or non-prescription drugs may impair the ability to properly assemble or safely operate the appliance.
- ⚠ Never use charcoal, lighter fluid, lava rocks, gasoline, kerosene, or alcohol within this product.
- ⚠ Do not store or use gasoline or other flammable liquids or vapors within 25 feet (7.6m) from this appliance.
- ⚠ Minimum clearance from sides and back of unit to combustible construction: 3 feet from side and 3 feet from back. Do not use this appliance under overhead combustible surface.
- ⚠ Do not use the fire-pit unless it's completely assembled and all parts are securely fastened and tightened.
- ⚠ Use only factory authorized parts. The use of any part that is not factory authorized is dangerous. This may also void your warranty.
- ⚠ When operating, fire extinguishing materials should be readily accessible. In the event of an oil grease fire, do not attempt to extinguish with water. Use type B or type C dry chemical fire extinguisher or smother with dirt, sand or baking soda.
- ⚠ Operate on solid ground only, do not install or use in/on boats or recreational vehicles.
- ⚠ Do not leave a lit fire-pit unattended, especially keep children and pets away from the fire-pit at all times.
- ⚠ Do not move the appliance during use.
- ⚠ Always open fire-pit lid carefully and slowly as heat and steam trapped within the fire-pit can severely burn you.
- ⚠ Move gas hoses as far away as possible from hot surface and dripping hot grease.
- ⚠ Keep all electrical cords away from a hot fire-pit.
- ⚠ Turn off the gas supply at the gas container after use.
- ⚠ Never obstruct the ventilation openings of the container compartment.

3. Parts List



NO.	Description	Usage
1	Square pan Lid	1
2	M6 Screw	10
3	M6 Washer	10
4	Round burner	1
5	Spring Washer M6	10
6	M6 Nut	10
7	Plate	1
8	Pilot Cover	1
9	Brass Fitting	1
10	Square Pan	1
11	Flex Line	1
12	Brass Orifice	1
13	Thermocouple	1
14	Screw M4	3
15	Igniter needle with wire	1
16	Valve	1
17	Pulse igniter	1
18	Control Panel	1
19	Knob	1

4. Assembly instructions

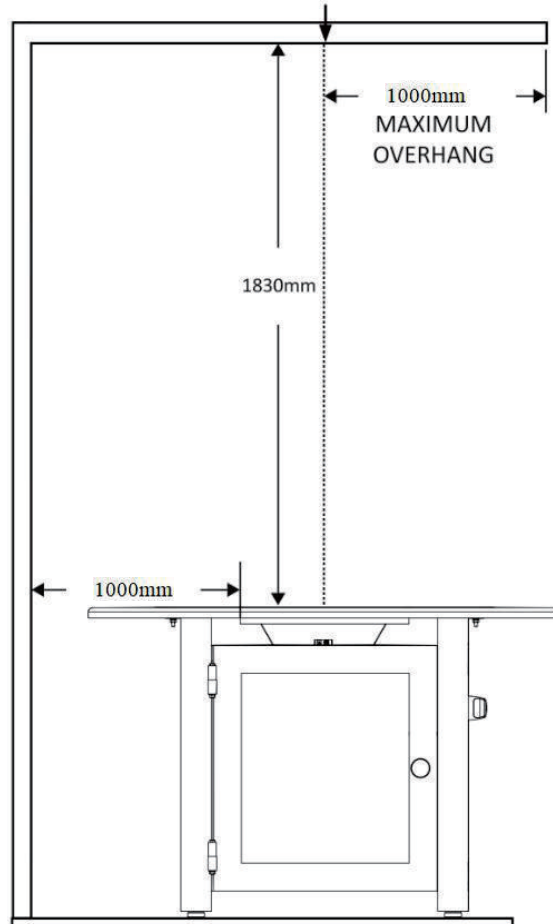
Please read these instructions carefully before assembly and use.

- Find a large, clean area to assemble your fire-pit. Please refer to the parts list and assembly diagram as necessary. Assembly of the fire-pit involves many large components; it is advisable to have two people assemble the unit.
- ⚠ Please use protective gloves when assembling this product.
- ⚠ To avoid losing any small component or hardware, assemble your product on a hard level surface that does not have cracks or openings.
- ⚠ To avoid damage to soft floor or carpet, do not assemble or move the appliance on soft floor or carpet.
- ⚠ Follow all steps in order to properly assemble your product.
- ⚠ Make sure all the plastic protection rip off before assembling.
- ⚠ Do not force parts together as this can result in personal injury or damage to the product.
- When applicable, tighten all hardware connections by hand first, once the step is completed, go back and full tighten all hardware.

Caution: Whilst every effort has made in manufacture of your fire-pit, you should handle all components with care to avoid accidental injury with sharp parts.


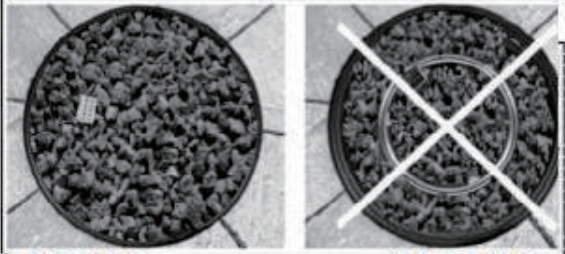
- Minimum Clearance From Unit To Combustible Material:

MINIMUM CLEARANCE TO COMBUSTIBLES		
	INCHES	MM
Side Walls	24	610
Top of unit to ceiling	72	1830



- efficient ventilation is achieved through openings in its lower and upper section; the total surface area of the openings in the upper section being equal to or greater than 1/100 of the base surface area of the housing, and that of the openings in the lower section being equal to or greater than 1/50 of the base surface area of the housing;

See **WARNING** and Figures:

<p>▲ WARNING</p>	<p>Screen</p>  <p>DO NOT PLACE LAVA ROCKS ON THE SCREEN. KEEP SCREEN CLEAR</p>
<p>This screen must be clear and free of obstructions at all times to insure proper operation.</p>	
<p>▲ WARNING</p> <p>The burner of the firebowl must be covered by lava rocks completely. Otherwise the flame may be extinguished. See the Figure for the CORRECT and INCORRECT ways for reference.</p>	 <p>CORRECT INCORRECT</p>

5. Installing with gas supply system

Important Notes:

- To operate you will need a precision-filled standard G30/G31 grill LP gas cylinder with external valve threads.
- ⚠ Use standard flexible tube with length less than 1.5 m. The tube shall be readily visible across its entire length for inspection after installation.

Danger: You must have the proper regulator and bottle in order for the fire-pit to operate safely and efficiently. Use of an incorrect or faulty regulator is dangerous.

Connect LP Gas cylinder

Before connecting, be sure that there is no debris caught in the head of the LP tank, head of the regulator valve or in the head of the burner and burner ports.

Connect gas line to tank by turning knob clockwise until it stops, make sure that the tube is not subject to twisting.

Do Not use this appliance with an adjustable regulator. We suggest use this appliance with LP gas cylinder of 5KG. The maximum diameter and the maximum height of the cylinder is 700mm and 600 mm as shown in (Fig.1).

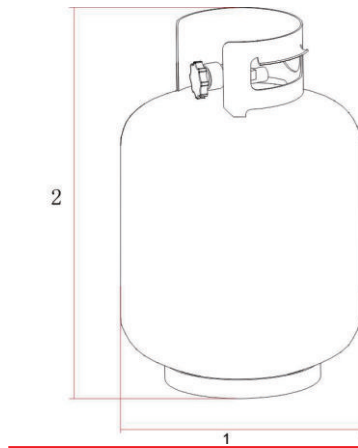


Fig.1

1: maximum diameter

2: maximum height

Pay attention when put the cylinder to the cylinder hole, ensure the hose connect to the cylinder not touch the hot surface. Keep the cylinder stay in place during operation. Never put spare cylinder in the same cylinder enclosure. Never block the way of shut off the cylinder valve.

Warning: Shut off the gas cylinder when you smell gas.

Disconnect LP Gas cylinder

Before disconnecting make sure the LP gas tank valve in "CLOSED"

Disconnect gas line from LP gas cylinder by turning knob counterclockwise until it is loose.

After connecting to gas cylinder, a leak testing is necessary.

Danger: When changing the gas container, care must be taken to keep away from any source of ignition.

Leak Testing (To be performed in a well-ventilated area)

- Confirm all fire-pit control knobs are in the off position.
- Open the gas control valve on gas cylinder.
- Check for leaks by brushing soap solution over all gas system joints, including all valve connections, hose connections and regulator connections.

⚠ NEVER USE AN OPEN FLAME to test for leaks at anytime.

- If bubbles form over any of the joints, there is a leak. Turn off the gas supply and retighten that joint.

Repeat the test. If bubbles form again, stop trying; contact your local dealer for assistance. Leak test annually, and whenever the gas cylinder is removed or replaced.

6. Operating instructions

Warnings

- ⚠ Before proceeding, make certain that you have assembled the appliance according to instructions.
- ⚠ Use your fire-pit at least 3 feet away from any wall or surface.
- ⚠ Never use your gas fire-pit in a building, garage, shed, breezeway, or any other enclosed area.
- ⚠ Never obstruct the flow of ventilation air around your gas fire-pit housing.

Before lighting

Inspect the gas supply hose prior to turning the gas "ON". If there is evidence of cuts, wear or abrasion, it must be replaced prior to use. Check leakage before use. Do not use the fire-pit if the odor of gas is present.

Lighting the fire-pit:

READ ALL INSTRUCTIONS PRIOR TO LIGHTING. USE OUTDOORS ONLY. KEEP FACE AND BODY AWAY FROM BURNER AREA WHEN LIGHTING. COVER MUST BE REMOVED WHEN BURNER IS IN OPERATION.

ENSURE CONTROL KNOB IS IN THE OFF POSITION, THEN TURN THE GAS ON AT THE SOURCE (PROPANE CYLINDER VALVE OR NATURAL GAS SUPPLY VALVE).

1. PRESS AND HOLD ELECTRONIC IGNITER BUTTON.
2. TURN THE BURNER CONTROL KNOB TO THE LOW POSITION, PRESS AND HOLD IN. WHEN THE BURNER LIGHTS, RELEASE THE ELECTRONIC IGNITER BUTTON.
3. CONTINUE TO DEPRESS THE BURNER CONTROL KNOB FOR 30 SECONDS AND THEN RELEASE. IF THE FLAME GOES OUT, REPEAT THE PROCEDURE.
4. ADJUST THE FLAME TO THE DESIRED HEIGHT WITH THE BURNER CONTROL KNOB.

IF THE BURNER DOES NOT LIGHT WITHIN 10 SECONDS, TURN THE VALVE OFF AND WAIT 5 MINUTES FOR ANY GAS TO DISSIPATE BEFORE REPEATING THE PROCEDURE. IF THE UNIT WILL NOT LIGHT WITH THE ELECTRONIC IGNITER, HOLD A LIT LONG MATCH OR LIT LONG BUTANE LIGHTER TO THE IGNITION AREA OF THE BURNER AND CONTINUE WITH STEP 2.

TO SHUT DOWN THE BURNER, TURN THE BURNER CONTROL KNOB CLOCKWISE TO THE OFF POSITION. THEN TURN THE GAS OFF AT THE SOURCE (PROPANE CYLINDER VALVE OR NATURAL GAS SUPPLY VALVE).

7. Cleaning and maintenance

To enjoy years of outstanding performance from your appliance, regular services of the appliance is mandatory as followings:

- The appliance should be inspected before at least one time a year by a Qualified Service only. More frequent cleaning may be required according to the use of the appliance.
- Any guard or other protective device removed for servicing the appliance must be replaced before operating it.
- Keep exterior surfaces clean, free and clear from combustible materials.
- Use warm soapy water for cleaning. Never use flammable or corrosive cleaning agents.
- While washing your unit makes sure to keep the area around the burner assembly dry at all times. If the gas control is exposed to water in any way, **DO NOT** tries to use it. It must be replaced.
- Burner and LPG compartment circulating air passageways of the appliance must be kept clean.
- Airflow must be unobstructed. Keep controls, burner and circulation air passageways clean. Signs of possible blockage include:
 - Gas odor with extreme yellow tipping of flame / Appliance glow is excessively uneven / Appliance makes popping noises.
 - Spiders and insects can nest in burner or orifices. This dangerous condition can damage the appliance and render it unsafe for use. Clean burner holes by using a heavy duty pipe cleaner. Compressed air may help clear away smaller particles.
 - Carbon deposits may create a fire hazard. If any carbon deposits develop, clean dome and engine with warm soapy water.
 - After the burner and lava rocks are completely cooled down, remove it from the bowl and use a soft brush to get rid of the mild stains, loose dirt and soil. Wipe with a soft cloth.
 - Clean the bowl and afterward put lava rocks again in proper position.
- For proper cleaning, a vacuum cleaner can be used.

Note: In a salt-air environment (such as near the sea), corrosion occurs more quickly than normal. Frequently check the corroded areas and repair them promptly. Stubborn stains, discoloration and possibly rust pitting can occur from exposure to harsh outdoor conditions. Be careful not let any powder or solvent come in contact with painted or plastic components as damage may occur.

After long use, some discoloration can come up and it screen is normal.

Make sure both gas supplies is in OFF position before changing battery. Please refer to the process of assembling battery.

Please contact the Manufacturer or dealer for information regarding replacement hoses, thermocouples, igniters, lava rocks, etc.

Attention: Never use unauthorized parts or component for this appliance.

Use only original equipment replacement spare parts and components.

Otherwise may void the warranty of this product and result in a hazardous condition.

STORAGE (after use)

- Turn control knob in “OFF” position (full disk).
- Turn LPG cylinder in “OFF” position.
- Store the appliance in a cool dry place away from direct sunlight; store it upright in an area sheltered from direct contact with inclement weather (such as rain, sleet, hail, snow, dust and debris).
- If desired, cover to protect exterior surfaces and to prevent build up in air passages.

Note: Wait until appliance is cool before covering.

During periods of extended inactivity or when transporting:

- Turn control knob in “OFF” position (full disk).
- Disconnect LPG cylinder and move to a secure, well ventilated location outdoors. DO NOT store in a location that will exceed 50 °C.
- Store appliance upright in an area sheltered from direct contact with inclement weather (such as rain, sleet, hail, snow, dust and debris).
- If desired, cover appliance to protect exterior surfaces and to prevent build up in air passages.

Note: Wait until appliance is cool before covering.

8. Troubleshooting

Problem:	Condition:	Solution suggested:
Burner won't light	Control knob is not in Maximum position (big, flame).	Turn control knob in Maximum position (big flame).
	LPG cylinder valve is closed / Empty.	Open the valve / Replace LPG cylinder with a new one.
	Blockage in the injector.	Clean or replace injector.
	Air in the gas circuit.	Open gas line and bleed it (pressing control knob in) for not over 1 minute or until you smell gas.
	Low gas pressure.	Replace LPG cylinder with a new one.
	Igniter fails.	Use match to light burner; change battery or obtain new igniter and replace it.
Burner won't stay lit	Dirty build up around burner.	Clean dirty around the burner.
	Low flames or not full running around the burner.	Flame spreader holes partially closed; clean the burner.
	Thermocouple is not operating correctly.	Replace thermocouple (FSD).
	Low Gas pressure.	Replace LPG cylinder with a new one.
Burner flame is low Note: Do not operate appliance below 5 °C	Outdoor temperature is greater than 5 °C and LPG cylinder is less than 25 % full.	Replace LPG cylinder with a new one.
	Gas pipe is bent or kinked.	Straighten hose and perform leakage test on gas pipe.
	Control knob is fully Maximum position (big flame).	Turn control knob to "OFF" position (full disk), let cool to room temperature and check burner and orifices for blockage.
Carbon build-up	Dirty or film on burner.	Clean burner.
Flash back (flame inside burner)	Burner ports are blocked.	Switch OFF the appliance. Close LPG cylinder valve. Wait 2 minutes, following the ignition procedure. Ignite burner. If problem continuous, switch-off. Contact your dealer.
Thick black smoke	Blockage in the burner.	Turn control knob to "OFF" position, let the appliance to cool at room temperature and remove blockage and clean burner inside and outside.

If you can not solve your issue by to one of the mentioned solutions, please contact your retailer for assistance.

IMPORTER**EN**

MH STAR UK LTD
Unit 27, Perivale Park, Horsenden lane South
Perivale, UB6 7RH
<https://www.aosom.co.uk>
Made in China

IMPORTATEUR**FR**

MH FRANCE
2 Rue Maurice Hartmann 92130 Issy Les Moulineaux
France
<https://www.aosom.fr>
Fabriqué en Chine

IMPORTADOR POR**ES**

SPANISH AOSOM, S.L.
C. roc gros no.15, 08550 Els hostalets de Balenya, Spain B66295775
TEL: 931294512
<https://www.aosom.es>
Fabricado en China

IMPORTEUR**DE**

MH Handel GmbH
Wendenstraße 309 D-20537 Hamburg
Germany
<https://www.aosom.de>
Hergestellt in China

IMPORTATO DA**IT**

AOSOM Italy srl
Centro Direzionale Milanofiori Strada 1 Palazzo F1 20090 Assago (MI)
P.I.: 08567220960
<https://www.aosom.it>
Prodotto in Cina

US



001-877-644-9366
customerservice@aosom.com

CA



001-855-537-6088
customerservice@aosom.ca

UK



0044-800-240-4004
enquiries@mhstar.co.uk

DE



0049-(0)40-88307530
service@aosom.de

FR



0033-1-84166106
contact@aosom.fr

ES



0034-931294512
atencioncliente@aosom.es

IT



0039-0249471447
clienti@aosom.it