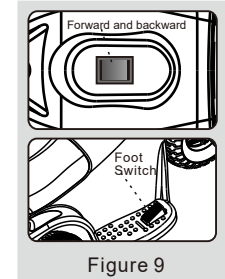


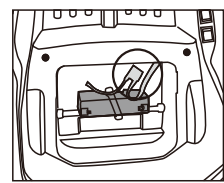
- 8. The connection of battery wires**  
 A) Remove the screws at the back of the saddle, take off the saddle.  
 B) Connect the wires to the battery, red side to red side, black side to black side, otherwise, it may cause damage to the battery. (The black side is already connected.)  
 C) Fix the saddle back and fasten by the screws.  
 D) Tighten the battery with treadle bar before replacing the battery and connecting the wires. Otherwise, it may cause an accident.  
 E) Do not connect the positive and negative side of the battery by any tools, otherwise, it may cause fire and explosion.  
 F) There may be harmful gas and pungent odor when charging. Keep far away from the battery in case of any explosion.



- 9. Function diagram**  
 A) When the battery wires are connected with battery terminals, press the forward/backward switch to "forward", press the food switch, the vehicle will move forward, and stop when released.  
 B) Press the forward/backward switch to "backward", press the food switch, the vehicle will move backward, and stop when released.  
 C) The front light will shine when moving.

**10. Fuse**

This product features a self-resetting fuse. When the driving car stops, mainly because the current exceeds the specified value, at this time, you should wait 8 seconds, then the fuse will automatically reset. To avoid the fuse trip causing power, please note the following: The maximum load is 25kg, do not over-load. Do not drag anything. Do not let water or other liquid touch the circuit, battery, and other parts. Never modify the structure and the electric circuit system.

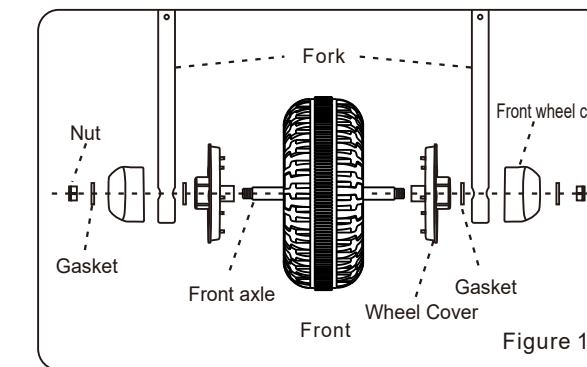


**Charging**

- Before first use, please make sure the battery is charged for not less than 16 hours. Otherwise, it may cause permanent and irreparable damage to the battery.
- When charging, put the DC plug of the charger into the car socket first, then connect the charger with power.
- When driving for 1-2 hours, please charge in time for 8-12 hours, but no longer than 16 hours.
- The heat is normal when charging. But if the temperature is too high, please check in time if the electric current is too large or there's any short circuit.
- Do not charge if there's any water inside the socket, otherwise it may cause a short circuit.
- To avoid damage to the battery and charger or the electric lines, the vehicle should use the provided battery and charger only.
- Do not charge the non-rechargeable battery. Remove the exhausted battery and handle it properly, keep it away from children.
- Do not mix new and old batteries or different batteries.
- Remove the treadle bar to take out or put in the battery, ensure right polarity, avoid short circuit.
- Charging should be done by an adult.
- When the vehicle will be not used for long time, ensure it is charged once a month.
- Do not put the conductor into the socket.
- Charge in a well-ventilated, dry place. Do not open the battery or the charger.

Parts diagram							
Part Number	Name	Picture	Quantity	Part Number	Name	Picture	Quantity
1	Front (Optional)		1	2	Fork		1
3	Wheel		1	4	Front Fender		1
5	Dashboard (Optional)		1	6	Wheel Cover		4
7	Car body		1	8	Saddle		1
9	Toolbox		1	10	Wrench		2
11	Rear Fender		1	12	Gearbox		1
13	Charger		1	14	Znstruction		1
15	Front wheel cap		2	16	Other	Battery, parts bag, Front axle, 3#8 screw	1 each

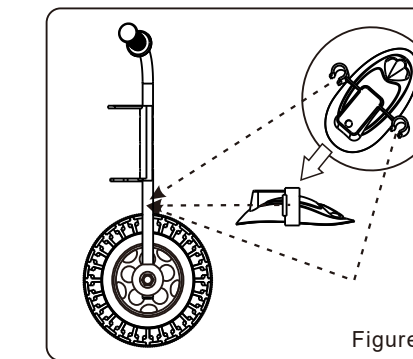
**Installing Instructions**



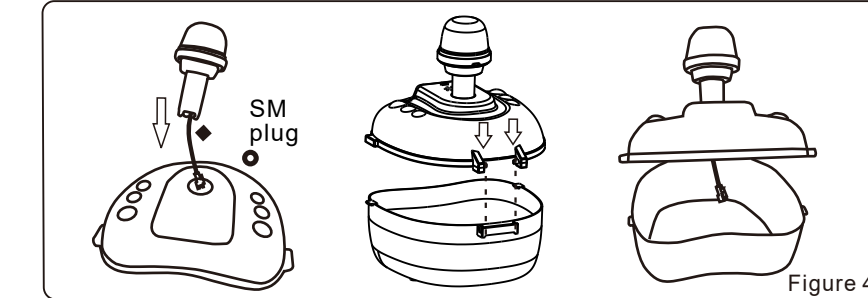
- 1. Fix the front wheel**  
 Fix the wheel cover from both sides of the front wheel. Then fix other parts by the order as picture 1 showed, last fix the nut at both sides of the wheel and tight up.

- 2. Fix the head**  
 A) As per picture 2, tight the wind mirror with 3 screws;  
 B) Fix the dashboard onto the fork;  
 C) Fix the head to the fork with right direction, and then tight with 3 screws.

Figure 2

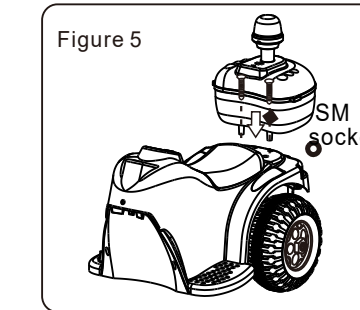


- 3. Fix the front fender**  
 As per picture 3, put the front fender onto the fork with right direction, push down and tight up.



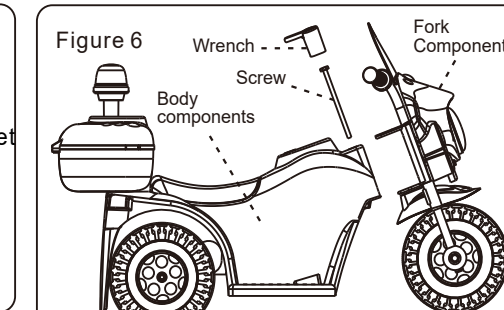
**4. Fix the tool box and use it**

- A) Put the fiber on the alarm lamp across the hole on tool box, connect the 3 plug-ins, and fix them.  
 B) Match the two parts of the tool box, and fasten it.  
 C) After the tool box is fixed on to the car body, connect the SM plug-in on the alarm lamp with the SM plug-in on the car body.



**5. Fix the tool box onto the body**

- As per picture 5, put the tool box onto the body with right direction, open the tool box and fix it to the body with 3 screws.

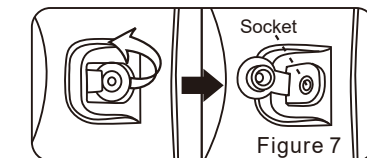


**6. Fix the fork with the body**

- As per picture 6, fix the fork components to the body with right direction, put the screw into the body with wrench, then fasten.

**7. Charging:**

- A) The socket is under the oil box cover. Open the cover first.  
 B) Put the DC plug of charger into the socket.  
 C) Put the charger into the power socket.



**WARNING: For safety, charging must be done by an adult.**

- Before first use, please charge 8-12 hours, otherwise it may permanently damage the battery.
- When the speed become slowly in normal driving, please charge in time for 8-12 hours, not longer than 16 hours.
- The vehicle is locked and can't be used when charging.

**MAINTENANCE**

- Check the main parts regularly, check if there's any damage of the battery, charger, plug, cover and other parts, check if the screws are tight, check if the wire lead is old. If any damage, please stop use and deliver to the professional service.
- Keep the vehicle away from fire and any hot objects, avoid direct sunshine, put in dry places when not use, and do not dump the vehicle.
- Clean the iron parts with little lubricating oil after a time of use to avoid rust.
- Clean the vehicle by dry soft cloth, do not use any chemical solvents, soap or water. Do not drive in raining or snowing days.
- Before first use and when the speed slow down in driving, charge in time; charge at least one time each month if not use for long.
- Do not change the line system, structure and additional electric system of the vehicle by yourself, repair work must be done by career man or under professional supervision.
- Do not use inconsistent fuse; disconnect the plug if not use for long time.

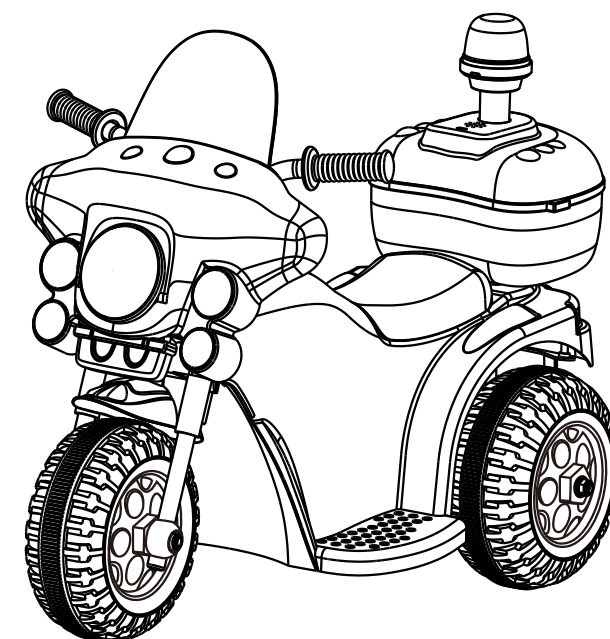
**WARNING**

- The pictures in this instruction is only for explaining the operation and structure of the product, when there's any difference with the real product, please confirm with the real product.
- In order to improve the quality of the product, we may amend some structure or appearance of the product without notification. Thank you for your understanding.



**Infaa027\_UK**  
**370-109V70**

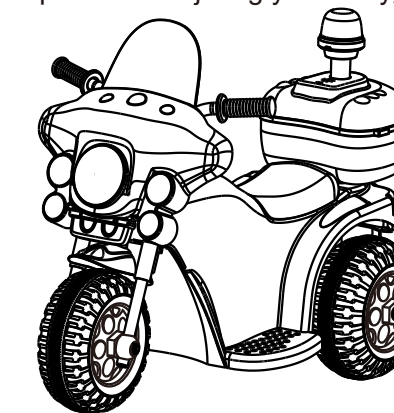
- Forward and reverse functions
- Realistic lighting and sound systems
- With back tool box



**CHILDREN ELECTRIC MOTORCYCLE MANUAL**

- Suitable age: 37 - 95 months
- This product should be assembled by an adult, charging must be done by an adult.
- Instructions contains important safety information content, please keep as a reference.

Thank you for choosing our children electric car. Please read this instruction carefully before use, it will tell you the right way of assembling and operating. To avoid incorrect operations damaging the product or injuring your baby, please keep this instruction.



Specifications:	
Battery	6V 4AH
Motor	RS-380-6V,RPM14000 x1
Suitable ages	37-95 months
Maximum weight	25 KG
Size	800X350X520mm
Speed	2-3 km / h
Use of time	Charg: 8-12 hours Use: 1-2 hours
Charger	Input AC100-240V, 50/60Hz, output DC6V500mA
Fuse	Resettable Fuse

**Caution**

- Before first use, please charge for 8-12 hours, or it may damage the battery.
- The car is only suitable for flat ground, DO NOT drive at street, road, ramp, pool side or other dangerous places.
- Only 1 person driving every time, and the maximum weight is 25kg, please do not overload and keep sitting on the seat when driving.
- The car should be assembled by an adult. Adult's safety guidance and supervising is necessary when driving.
- Do not change the forward/backward switch when driving.
- Do not drive in water, do not pour water or other liquids onto the car.
- When replacing the battery, please connect the terminals properly as to the instruction.
- Charger and battery are not toys, please do not play, do not take this children for other use.

**Troubleshooting**

Fault type	Test site	Remedy
Non-function vehicle	1. Is the battery terminal connector off? 2. Is the fuse intact? 3. Is the connection wire of battery and motor damaged?	1. Yes: connect the terminal plug; No: next. 2. Yes: next; No: change the fuse. 3. Yes: change the wire
The car can run, but no light	1. Check if the connection wire and plug of battery and car head is good.	No: connect the wire and the plug.
The car can't move, the light is ok	1. Check if the foot switch connection is well. 2. Check if the motor terminal leads are off. 3. Disengage the motor connector, connect it to the battery ends directly, see if the motor run.	1. Yes: next; No: repair the foot switch. 2. Yes: connect the terminal leads; No: next. 3. Yes: drive line failure, deliver to the professional service for repairing; No: change the motor.
Only move forward but not backward	1. Check if the detection switch is connected well; 2. Check if the wire between the battery to the detection switch is connected well.	1. Yes: next; No: change the detection switch; 2. No: connect it.
Move slowly	1. Check if the battery voltage is normal (more than 6V). 2. Disconnect the motor plug, connect to the battery directly, see if it run faster; 2. Remove the gear box, check if the gear run good.	1. Yes: next; No: charge the vehicle; 2. Yes: drive line failure, deliver to the professional service for repairing; No: next. 3. Yes: change the motor; No: change the gear box.
Front light not shining	1. Check if the light bulb is good; 2. Check if the switch is good; 3. Check if the wire between light bulb and PCB is disconnected.	1. Yes: next; No: change the light bulb; 2. Yes: next; No: change the switch; 3. Yes: connect it.
No sound	1. Check if the loudspeaker is good; 2. Check if the switch is good; 3. Check if the wire between loudspeaker and PCB is disconnected.	1. Yes: next; No: change the loudspeaker; 2. Yes: next; No: change the switch; 3. Yes: connect it.
Can't be charged	1. Check if the output of the charger is 6.8V-7.2V. 2. Connect the input and output of the charger, connect both side of the battery, check if it is about 6.8V. 3. Check if the charger fastening is tight, jointing is off.	1. Yes: next; No: change the charger; 2. Yes: change the battery; No: check if there's any damage to the charge diode; deliver to the professional service; 3. Yes: tight the screw; joint the jointing back.

**Warning!** Non-transport, should be used in the guardian's care. Before use, do the safety education!

For your baby's safe driving, Please follow warning:

- The vehicle should be assembled by adult, and confirm assembling finished and safety before use.
- In order to avoid injury, please keep the small parts away from children under 3 years.
- Child should drive under adult's supervision, and the supervisor should keep stay when driving.
- Charger should be done by adult. Please charge the vehicle before first use.
- To avoid harm to child, please keep the plastic bags and other package materials away from the child.