

CHILDREN'S ELECTRIC MOTORCYCLE INSTRUCTION

- Suitable age 18 -60 months.
- This product should be assembled by adult.
- This instruction contains important safety information content, please keep it as a reference.

IMPORTANT, RETAIN FOR FUTURE REFERENCE: READ CAREFULLY

ASSEMBLY INSTRUCTION

About the products

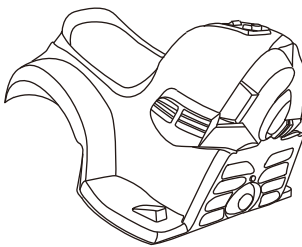
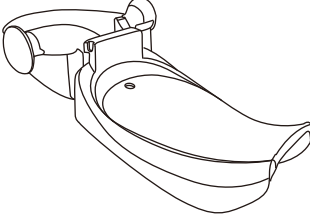
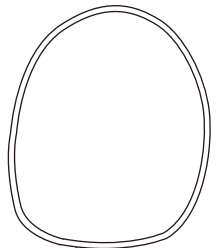
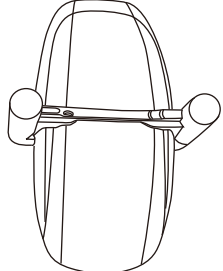
Thank you for choosing our children electric car. We always keep pursuing being outstanding and designing comfortable and safe ride on car for children. Let Beisida children carriage be with every children's growth.

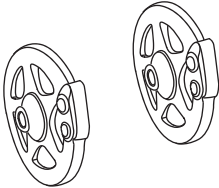
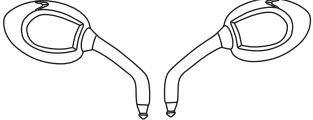
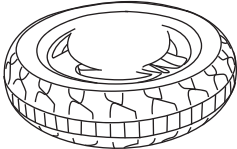
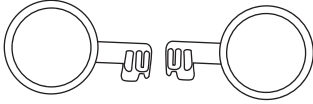
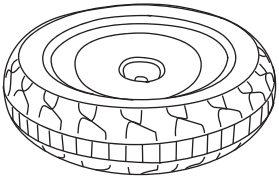

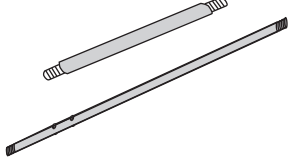
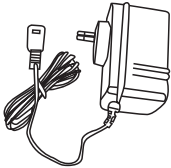
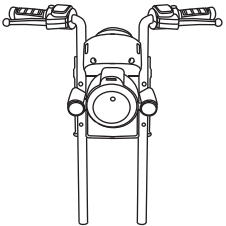

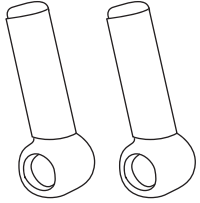
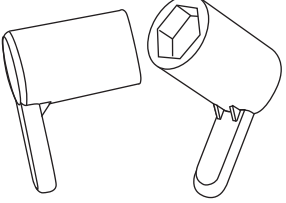
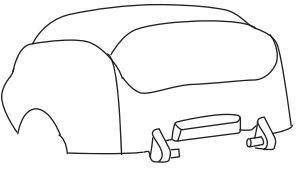

Please read this instruction carefully before use, it will tell you the right way of assembling and operating. To avoid incorrect operations damaging the product or injuring your children. Please keep this instruction.

Specifications

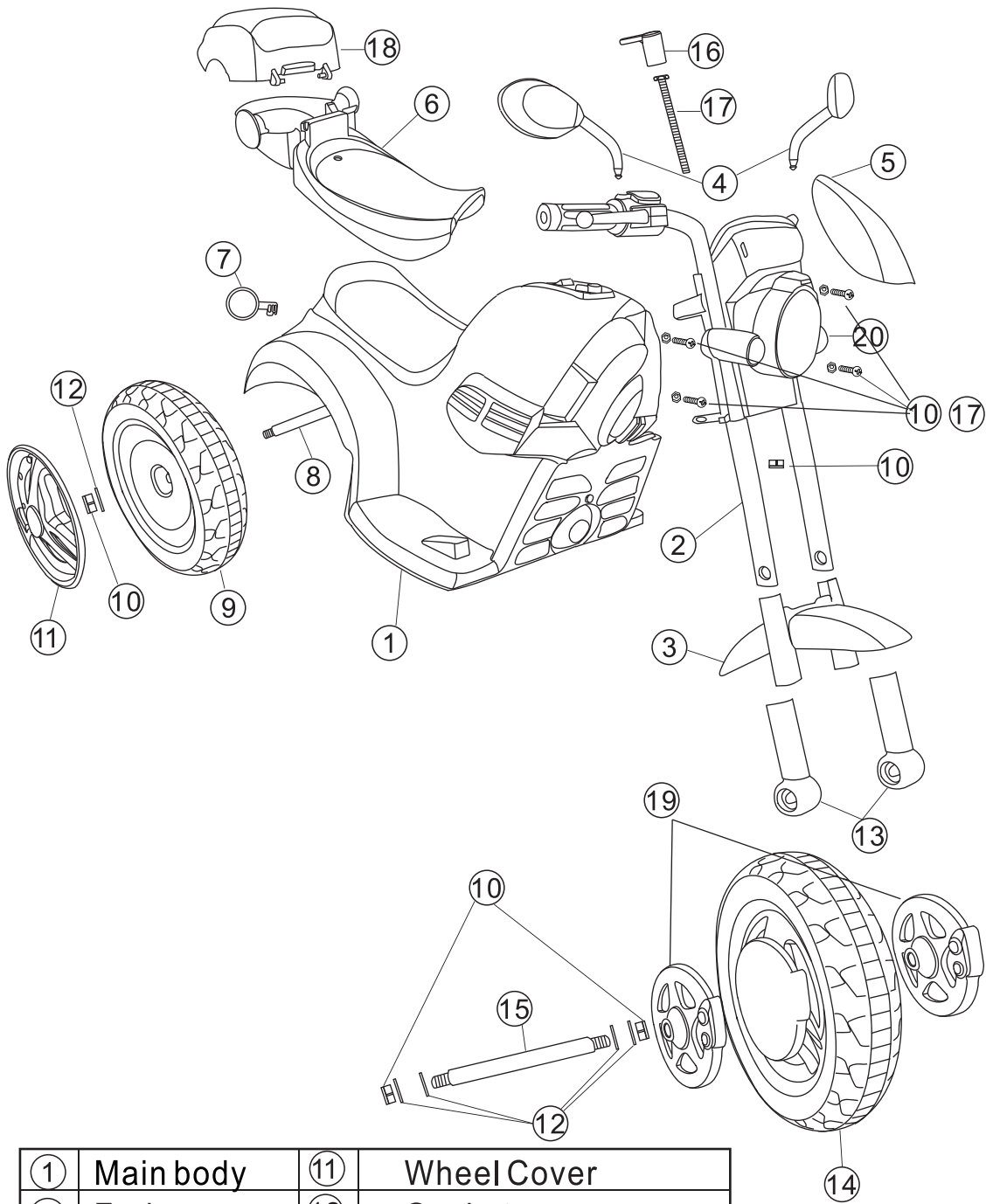
Battery:	6V4Ah		
Main material:	PP		
Suitable age:	18-60months	Maximum weight:	25kg
Motor:	RS-380- 6V, RPM14000 x1		
Car Size:	87x46x54cm	Package Size:	59x34x31cm
Speed:	2-3km/h		
Operation time:	1-2hours after charging about 8-12hours		
Charge:	Input AC100-240V; Output DC6V500mA		
Fuse:	Resettable Fuse		

Parts List

Part Number	Part Name	Picture	Q'ty (pcs)	Part Number	Part Name	Picture	Q'ty (pcs)
1	Main body		1	2	Seat		1
3	Wind shield		1	4	Front Fender		1

Part Number	Part Name	Picture	Q'ty (pcs)	Part Number	Part Name	Picture	Q'ty (pcs)
5	Front wheel trim		2	6	Mirror		2
7	Front wheel		1	8	Rear lamp		2
9	Rear wheel		2	10	Wheel Cover		2
11	Front axle Rear axle		1	12	Charger		1
13	Fork		1	14	Screw		1
15	Decorative pieces		1	16	Wrench		2
17	Tunk lid		1	18	Instruction		1

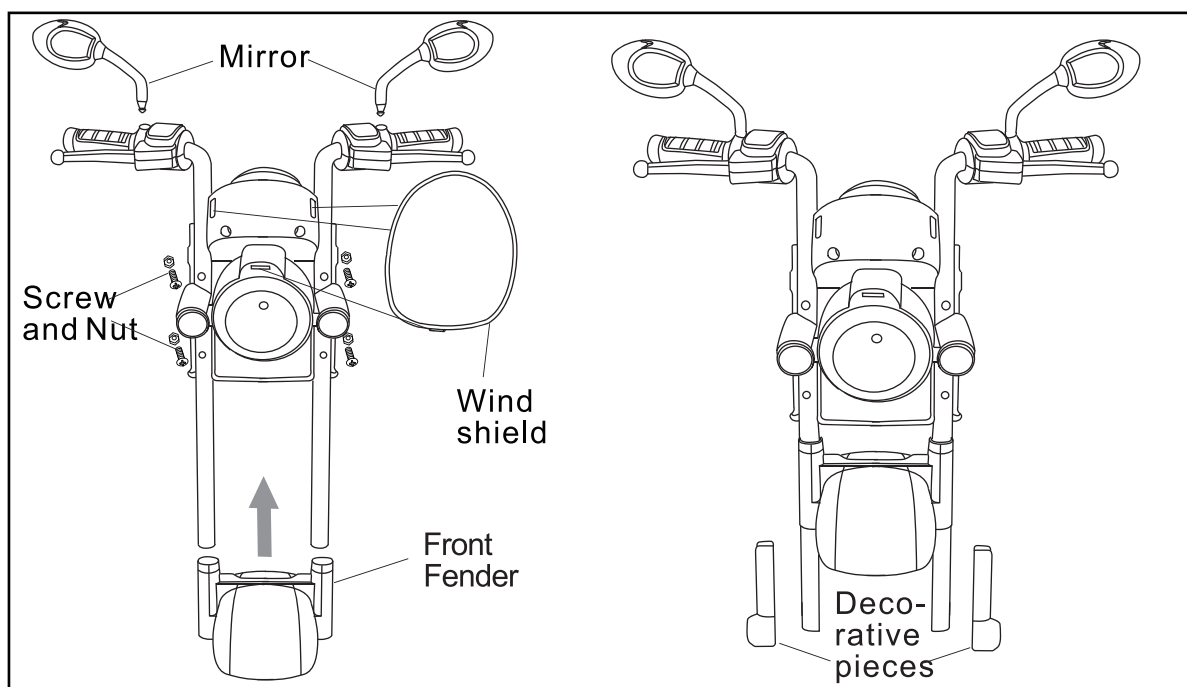
Explosion map



①	Main body	⑪	Wheel Cover
②	Fork	⑫	Gasket
③	Front Fender	⑬	Decorative pieces
④	Mirror	⑭	Front wheel
⑤	Wind shield	⑮	Front axle
⑥	Seat	⑯	Wrench
⑦	Rear lamp	⑰	Screw
⑧	Rear axle	⑱	Tunk lid
⑨	Rear wheel	⑲	Front wheel trim
⑩	Nut	⑳	Dashboard

Assembling

- The vehicle should be assembled by adult before use. It will take 30 minutes to complete.
- The small parts might cause choke, please keep away from the children.
- Please check the number of the parts before assembling, and keep the packaging bags away from the children in case of choke.



1. The installation of front fork suite

A) attach the fork to the dashboard with four screws

B) insert the front fender into the front fork

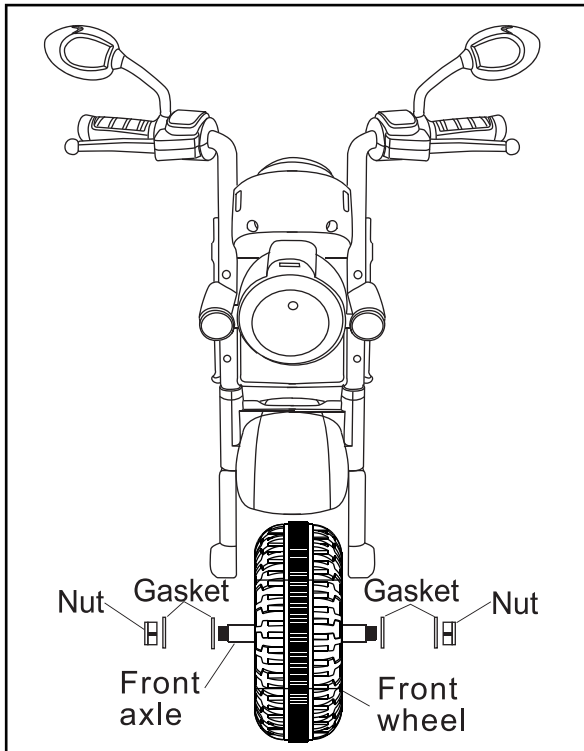
C) clip the decorative pieces into the front fork

2. Install windshield

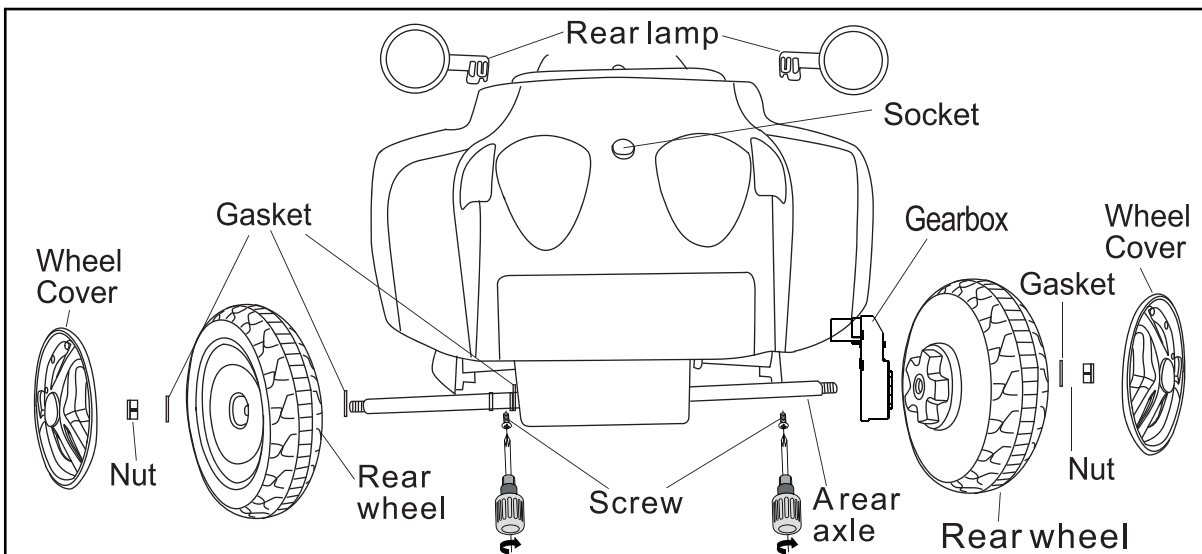
Insert the three legs of the windshield into the corresponding plastic bayonet of the dashboard until it doesn't fall off easily.

3. Installation of mirror

Place the left and right mirror in the corresponding holes in the front fork until they do not fall off easily.



4 installation of front wheel
 To the front axle from left to right sequentially through the gasket, the front fork pipe, gasket, front wheel, gasket, the front fork pipe, gasket, respectively at both ends of the front axle each into a nut and equipped with a wrench can be tightened.



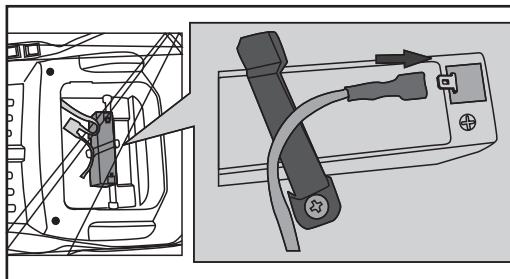
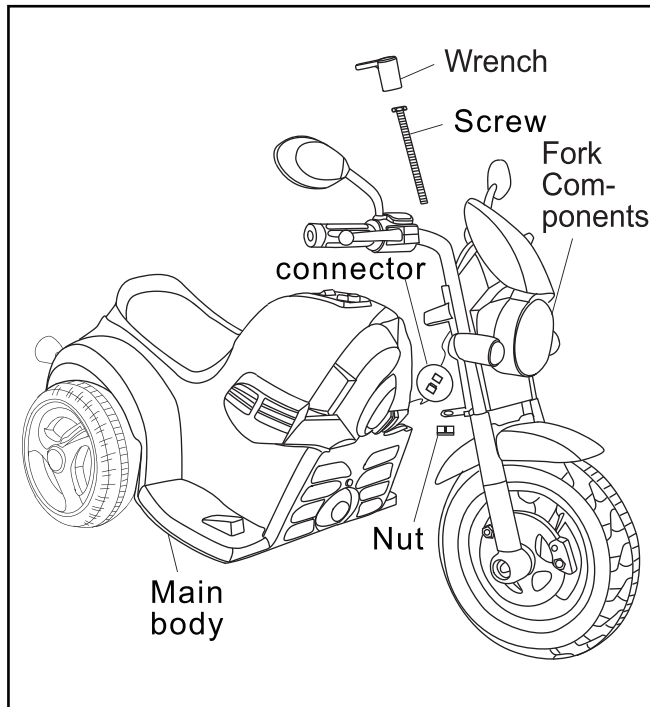
5. Rear tail light installation

As shown by the self tapping screws fixed on the vehicle taillight corresponding hole.

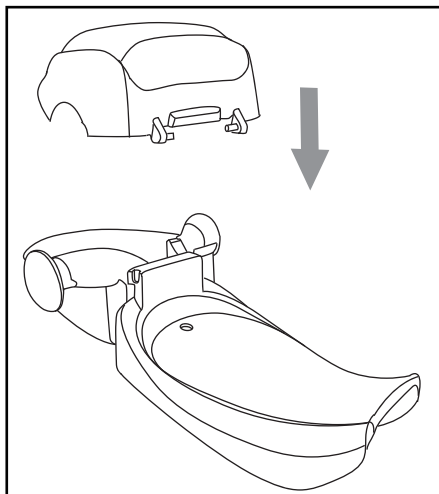
6. Rear wheel mounting

The gearbox is installed on the right side of the body below, holding the embossed end of the rear axle, passing through the gasket, body, gearbox, rear wheel, gasket from left to right, in turn on the left to insert the gasket, rear wheel, gasket, then lock the end of the rear axle with nuts, finally buckle the wheel cover .

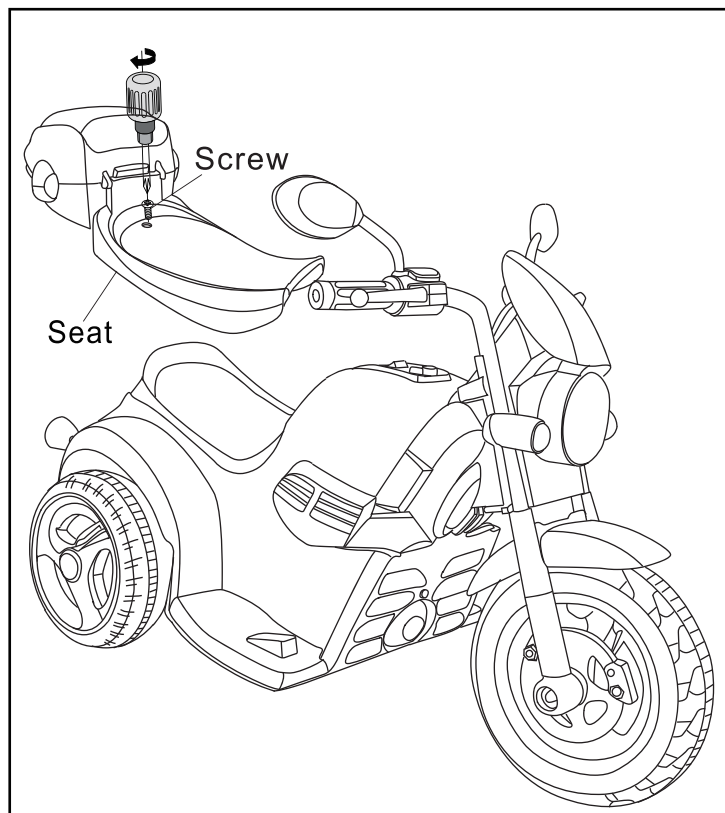
7. Front wheel assembly connection with the body
 First connector plug, and the corresponding position of the front wheel assembly into the body, use a wrench to screw from top to bottom sequentially passes through a front fork, a body, a front fork, the diameter of nut are screwed.



8. Connect the power
 As showed in the picture, connect the power plug-in with the right direction (red to red, black to black)



9. The installation of the toolbox
 Position the cover of the toolbox at the bottom of the trunk seat behind the seat and fasten the two front buckles on the bottom of the trunk seat.



10. Assemble the seat
 Aim the seat at the hole on the body and screw it in.

GIVE SAFETY EDUCATION BEFORE USE

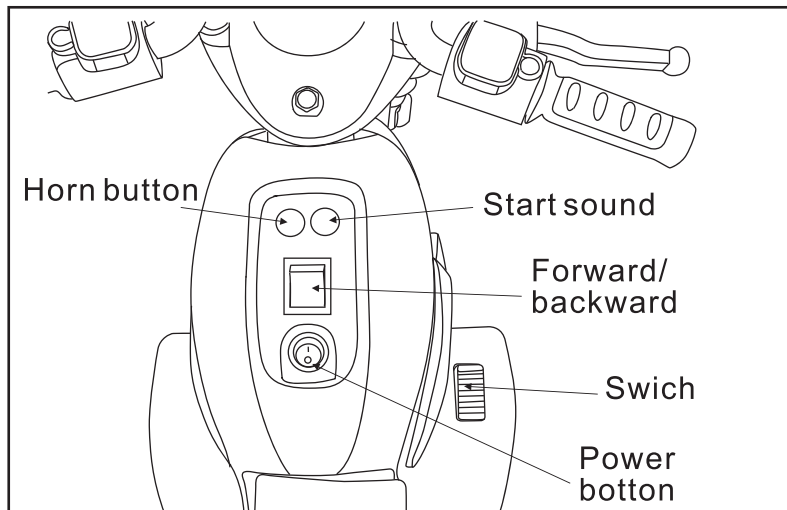
1. To avoid be harmed by the little spare parts, less than 1.5 years old can't drive.
2. Assembled and charged Only by adult,
3. The max loading is 25kgs, suitable for 1.5-5 years old children. Do not over loading for safety.
4. This product is not traffic tool, keep driving on hard and flat ground.
5. Do not drive in the dangerous place, like street, road or slope.
6. Do not drive the mire or uneven places.
7. Children should be instructed to the correct operation, to prevent the damage caused by improper operation, accident
8. When change gears, release the foot switch, after the car stopped.
9. When driving, adult care and supervision is necessary, Do not leave and keep your child in your sight.
10. Do not let the product in rain or other ways touch water, avoid damage the circuit and motor.
11. Check whether the charger, plug-ins, and other parts are in good condition and well connected in time.
12. To make sure safety and use longer, avoid damage the charger, battery or system, must be use the originals.
13. When stop using the car, cut off the power, turn all buttons to "stop" or "off" .
14. The charger and battery of the products are not toy, forbidden children playing the charger and battery.
15. Do not use the product on other ways.
16. Do not use the spare parts not supply from us.
17. The product mainly use PP, safety use time is 2 years.

HOW TO OPERATE YOUR VEHICLE

1. Before use, must be confirm the product as follows:
 - According to the instruction assemble the car, connected well.
 - Make all the screws fastened tightly in the right place.
 - Before driving, parents should tell your children safety rules and make them understood.In order to reduce dangerous:
 - Please sit on the seat when driving.
 - Only one child drive every time.
 - Driving must be under the adult supervision
 - Note the driving in safe place, keep driving on hard and flat ground,
 - DO not drive in dangerous places.

- a. ditch pit, river side, slopes or other uneven ground.
- b. Beside the road or other places for cars and people walking.
- c. Barrier which might cause damage and injury.
- d. Other dangerous places.
- Do not drive in black, it may cause injury. Do drive in day time or bright places.

FUNCTIONS



Note: Must tell your children, When change gears, release the foot switch, after the car stopped.
Do not change gears when the car is driving, or damage the line and other parts.

FUSE

This product configure self-resetting fuse, when the driving car stopped, mainly because of the current exceeds the specified value, at this time, you should wait 8 seconds, then the fuse will automatic reset.

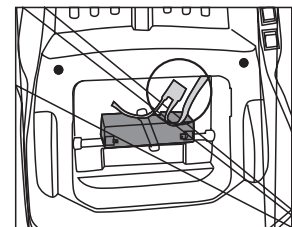
To avoid the fuse trip cause cut the power, please note the things as follows:

The max loading is 25kgs, do not over the loading.

Do not drag everything.

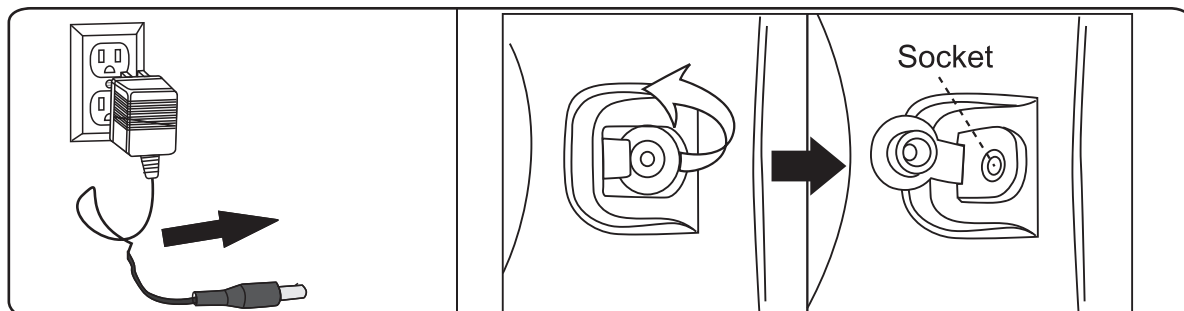
Do not let the water or other liquid touched the circuit, battery and other parts.

Never modify the structure and the electric circuit system.



CHARGE

- This product charge should be by an adult for safety.
- Before first use, you should open the seat, the lines connected (red to red, black to black) please charge at least 8-12 hours.
- The charging jack is on the fuel tank cap, the steps are as follows:
- When driving slowly, you should charge 8-12 hours in time, it can't be over 20 hours.



1. to open the charging hole cover. Plug the charger into the charging hole. (charging hole in the rear of the body)
2. plug the charger into the power outlet. (charge state car can not start)

NOTE:

- Only can use the manufacturer's specified battery and charger.
- The old and new batteries and different types of batteries cannot be mixed use.
- Do not open the battery and charger.
- Do not overturn the battery.
- Before charge, please confirm whether the charger battery and the jack are well, if damaged, stop use, until restored.
- When charging, the battery will be warm, it's regular or the battery maybe damaged.
- Must use the platen fasten the battery, the battery will hurt the children when the car overturn.
- The adult should bring out the battery, proper recycling.
- When the car will be not used for long time, ensure it be charged and charge once every 3 month to keep the battery life.
- The charger is not toy, keep it away from the children.

MAINTENANCE

1. Check the main parts regularly, check if there's any damage of the battery, charger, plug, cover and the other parts, check if the screws are tight, check if the wire lead is old .If any damage, please stop use and deliver to the professional service.
2. Clean the iron parts with little lubricating oil after a time of use to avoid rust.
3. Keep the car away from fire, avoid direct sunshine; always turn it up but not turn it over; put in dry place when not use, and do not dump the car ,Keep the car inside door room or cover it with cloth when wet weather.
4. Keep the car away from hot obejects loke stove or heater, for the plastic might be melted; when charging , keep it away from flammable materials to avoid fire.
5. Charge in time after use, and do it by adult, When the car will be nor used for long time, ensure it be charger and charge once every 3 month to keep the battery life.
6. Clean the vehicle by dry soft cloth , do not use any chemical solvents, soap or water, Do not drive in raining or snowing days.
7. When stop using the car, cut off the power, turn all the buttons to “stop” or “off” .
8. Do not use inconsistent fuse.
9. Do not change the line system, structure and additional electric system of the vehicle by yourself, repair work must be done by career man or under professional supervision.
10. Toy is not to be used for other purposes

**WARNING: NOT TRAFFIC TOOL, TO KEEP SAFE,
ADULT'S SUPERVISION IS REQUIRED.**

MALFUNCTION ELIMINATES:

Vehicle couldn't move	1, Check whether the power switch is off.
	2, Check whether the forward/backward switch is in the neutral gear (in the middle)
	3, Check the fuse is damaged, if so, change it.
	4, Check whether the battery wires are connected well?
	5, Charger's dc in the charging socket will make it not work, if so, take it out.
	6, Check whether stepped on the pedal.
	7, Check whether anything trapped in the wheels.
Vehicle move slowly	1, Check whether the battery be fully charged.
	2, Check whether anything trapped in the wheels.
	3, Check whether the vehicle is over loaded.
Vehicle cannot be charged	1, Check whether the charger or battery is damaged.
	2, Check whether the charger and the battery is well connected.
	3, The charger or battery if there is a loose connection.

WARNING

- 1, This note is to use illustrations to illustrate the operation of the product and product structure, there are a few differences, in kind prevail.
- 2, In order to improve the quality of the products, under the condition of without telling, we may make changes to the product part of the structure with the appearance, please understanding

US



001-877-644-9366
customerservice@aosom.com

CA



001-855-537-6088
customerservice@aosom.ca

UK



0044-800-240-4004
enquiries@mhstar.co.uk

DE



0049-(0)40-88307530
service@aosom.de

FR



0033-1-84166106
contact@aosom.fr

ES



0034-931294512
atencioncliente@aosom.es

IT



0039-0249471447
clienti@aosom.it