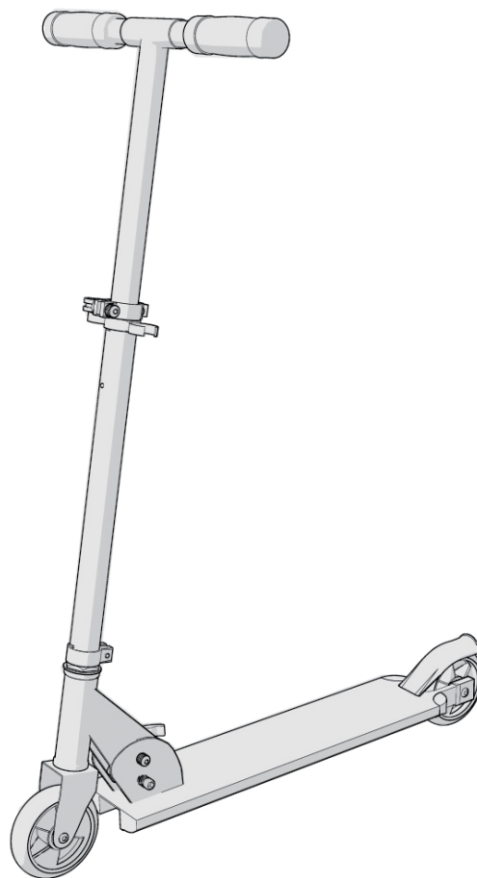




INfd001V03\_UK

**371-004\_371-005**



## **2-Wheel Scooter Instruction**



READ AND SAVE THESE INSTRUCTIONS FOR FUTURE USE

# **ASSEMBLY INSTRUCTION**

## Instructions:

1. To unfold the scooter, place one hand on the stem of the scooter and pull the folding mechanism with your other hand and the scooter will un-lock.
2. Install the handle by lifting the handle bar and insert into the t-shape portion of the scooter stem and the handle will pop into handle bar with elastic cord/button latch system.
3. Adjust the T-bar height with three telescopic positions for variable height.
4. Usage/Braking: Press on the brake on top of the back wheel to slow down or to stop.

This folding scooter is adjustable, safe and easy to use!

## Warning!

Make sure the handle bars are safely in place with spring clip before using the scooter. For ultimate safety, please control the speed of the scooter. Do not ride on sand, hills, steep inclines or frozen ground. This item is recommended for children, ages 5 to 8 years old.

## Maintenance of product

- .Clean your Barbie street Scooter and wheels with a clean, damp, cloth.
- .Maximum weight:80kgs
- .Always wear safety equipment such as helmet, knee pads and elbow pads. Always wear a helmet when riding your scooter and keep the chinstrap securely buckled. Always wear shoes.
- .Ride on smooth, paved surface away from motor vehicles.

▪ Avoid sharp bumps, drainages grates, and sudden surface changes as scooter may suddenly stop.

▪ Avoid streets and surface with water, sand, gravel, dirt, leaves, and other debris. Wet weather impairs traction, breaking and visibility.

▪ Do not ride at night.

▪ Brake may get hot from continues use. Do not touch your scooter after breaking.

▪ Avoid excessive speed associated with downhill rides.

▪ Adult must assist children in the initial adjustment procedures to unfold scooter, adjust handlebar and steering to height, and finally to fold scooter

▪ Obey all local traffic and scooter riding laws and regulation

▪ Watch out for pedestrians

▪ Check and secure all fasteners before every ride

▪ Replance worn or broken parts immediately

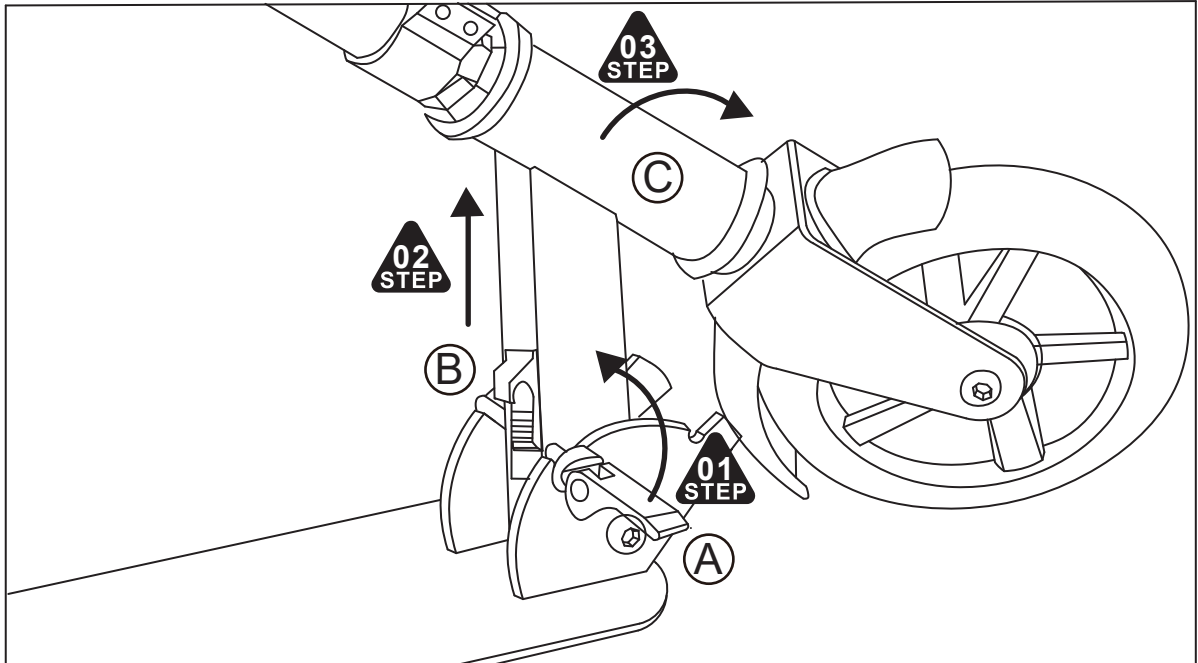
## Assembly And Adjustment Instructions

### Assembly

This scooter is shipped pre-assembled.  
Follow the instructions below to setup the scooter.

- Loosen Quick Release Lock (A).

Pull up (B) and unfold steering head (C) until it locks into the vertical position.



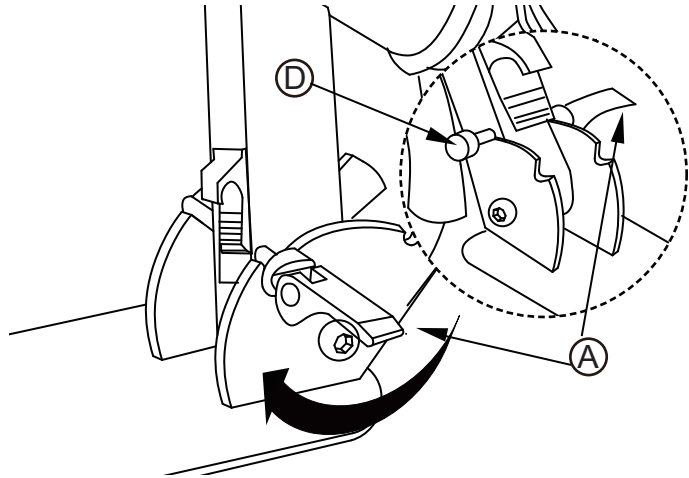
## Assembly - continued

- Tighten Quick Release lock (A).



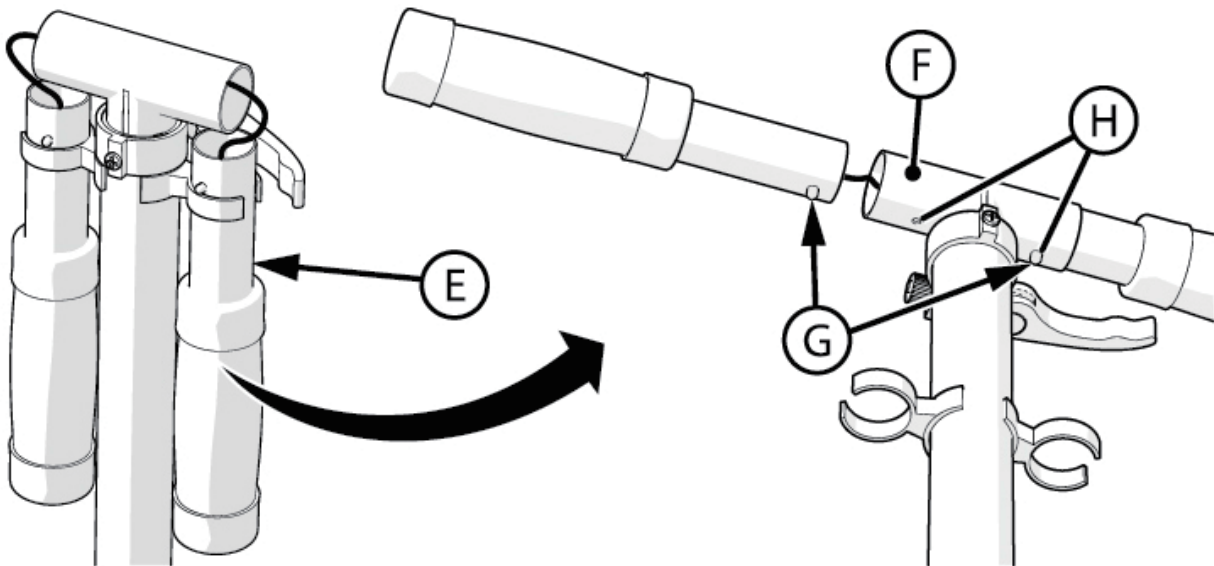
### WARNINGS:

- The Quick Release Lock (A) and Nut (D) **MUST** be sufficiently tightened to hold the unit in the upright position.
- Failure to obey this warning may cause the handlebar to fold while riding, and may cause serious injury to the rider or others.



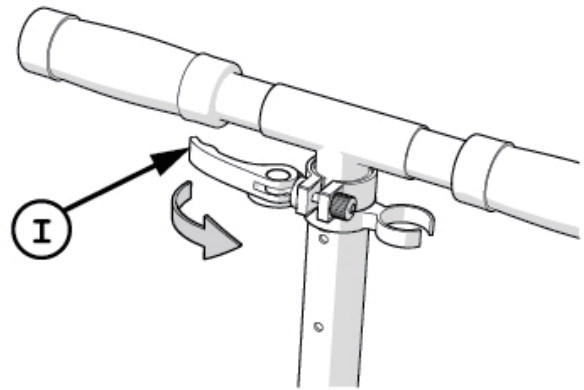
Assembly

- Insert the handgrips (E) into the handlebar (F). Ensure the lock buttons (G) on each handgrip are fully engaged with the Locking Hole Stops (H) in each side of the handlebar.

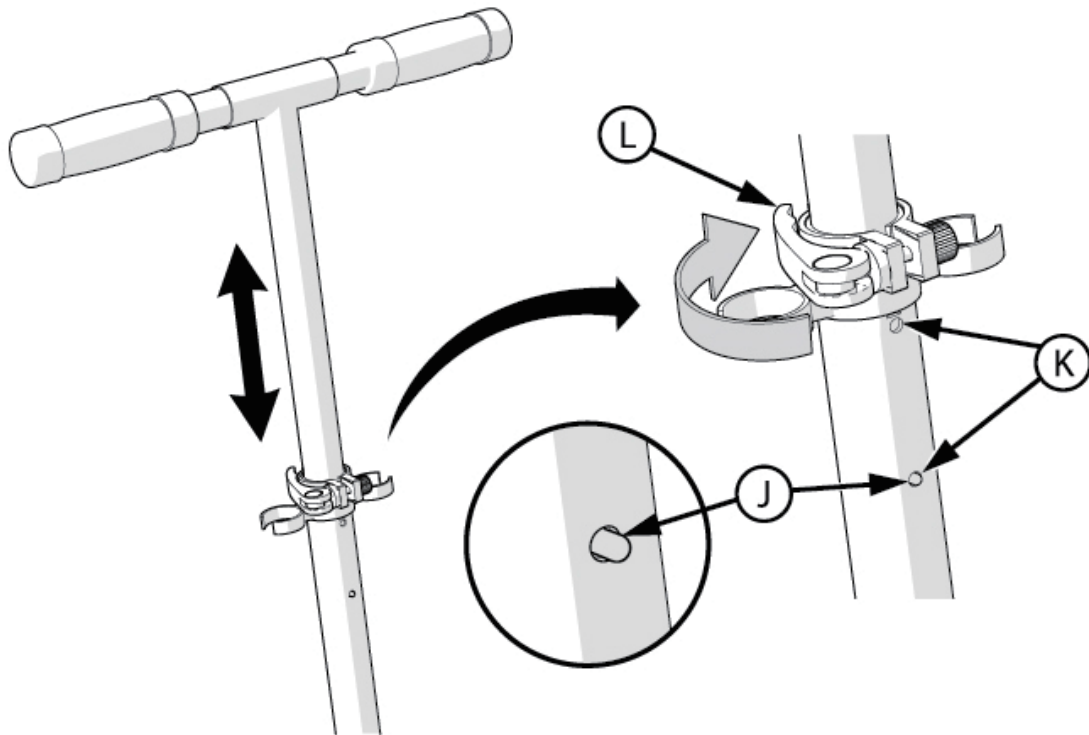


## Assembly - continued

- Release Quick Release Lock (I)



- Slide handlebars up to a comfortable height, making sure the Lock Button (J) locks into one of the Locking Hole Stops (K)
- Tighten the Quick Release Lock (L) securely.



**⚠ WARNING:** The Quick Release Lock must be sufficiently tightened to hold the handlebar in place.

