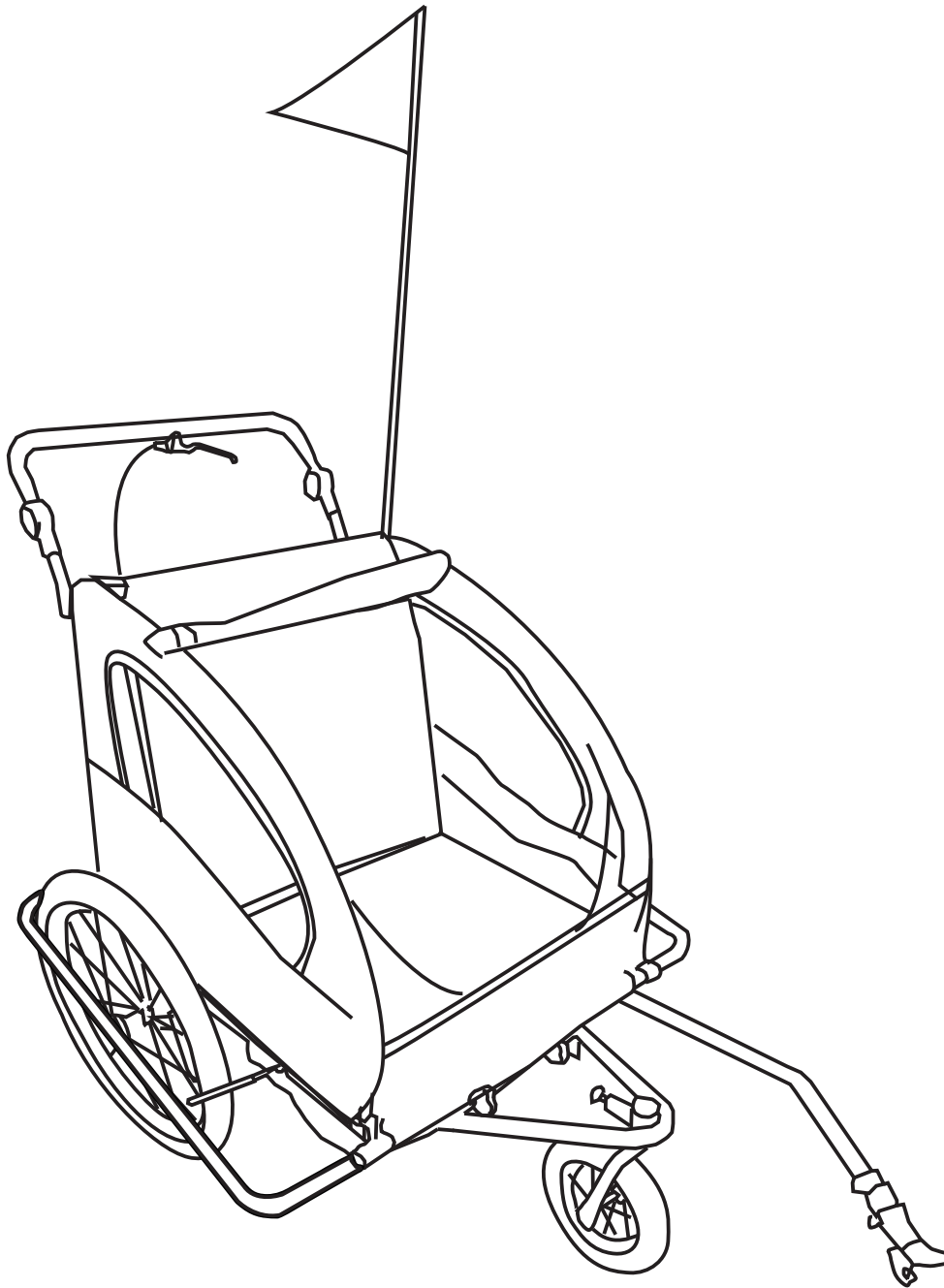




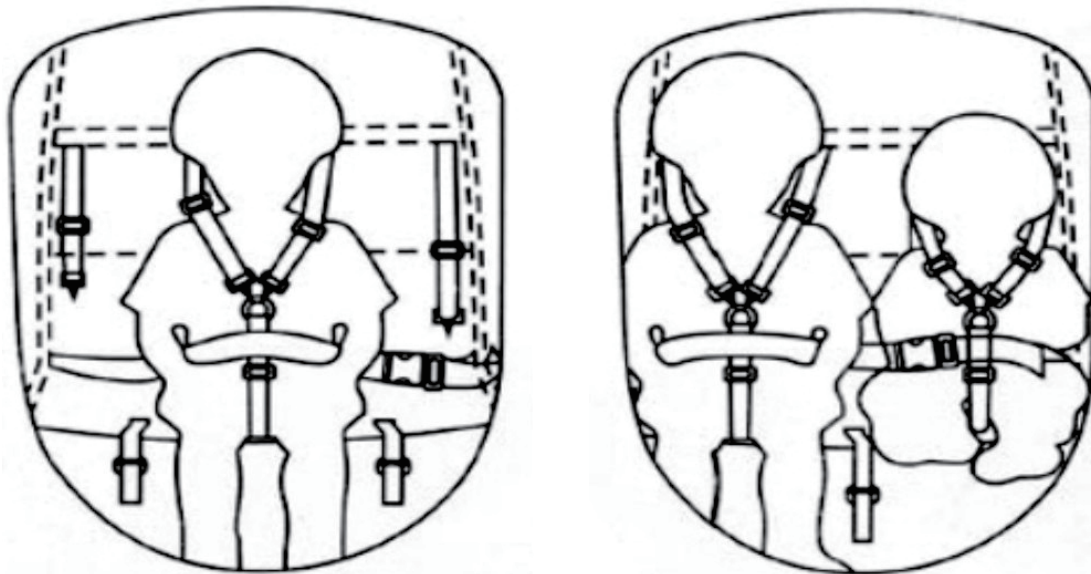
INfe004V02_UK

40-001_440-005_5664-0101



IMPORTANT, RETAIN FOR FUTURE REFERENCE: READ CAREFULLY

ASSEMBLY & INSTRUCTION MANUAL



Attention!

Adjust the shoulder straps to the smaller proportions of a child. Strap buckles and hooks near the child's neck can cause serious injuries. Avoid making those too close to the neck.

One child

1. Remove the shoulder strap from the nooks in the seat
2. Seat the child in the centre of the seat
3. Pull the shoulder straps down and secure them between the legs
4. Lastly close the horizontal buckle over the child's belly.

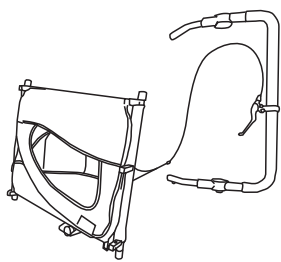
Two children

1. Remove the shoulder strap from the nooks in the seat
2. Seat the children in the trailer
3. Pull the belts in the middle up between the children's legs
4. Secure the shoulder straps to the seat
5. Lastly close the horizontal buckle over the child's belly.

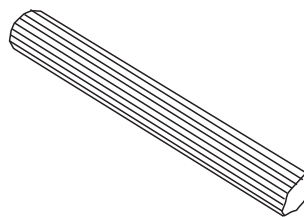
This product is not allowed to use for child under 18 months .

Please pay attention to the security notes below!

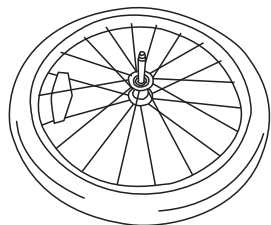
1. Maximum total load: 40KG
2. Do not technically modify the trailer
3. Do not attach additional loads to the draw bar
4. Maximum allowed speed of the trailer: max. 16 km/h
5. Don't use the trailer on rocky roads or other dangerous roads
6. Never leave children in the trailer unattended
7. The rider has to be 18 years old and in a good physical condition
8. Rider and the children should wear approved safety helmets
9. Maximum capacity for two children not older than 7 years
10. Please assemble the trailer strictly according to these instructions
11. Never park the trailer near a trench or dangerous road
12. Check the air pressure before every trip
13. Check that the bicycle is in a proper technical condition
14. Always check the proper connection of the coupling
15. Be careful whilst riding in traffic especially turns and slopes
16. It is suggested to use rear view mirrors to be able to check on the trailer whilst riding
17. The canopy should be always closed to protect the children
18. Always check all parts of the trailer are connected properly and tightly



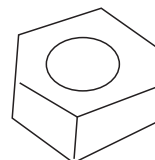
A x 1



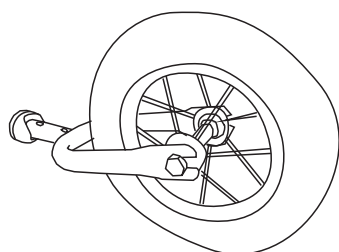
H x 2



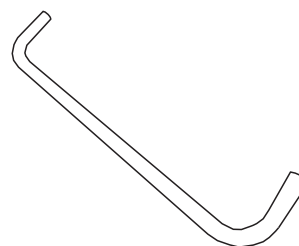
B x 2



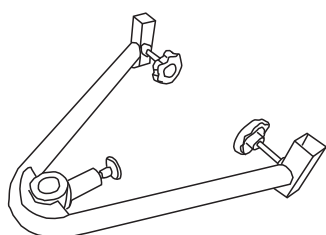
I x 2



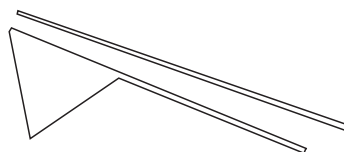
C x 1



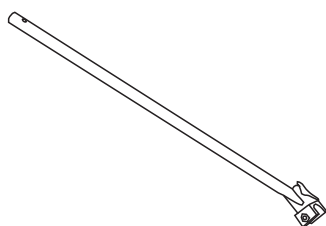
J x 2



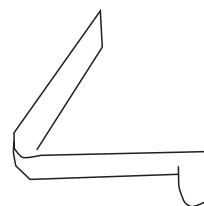
D x 1



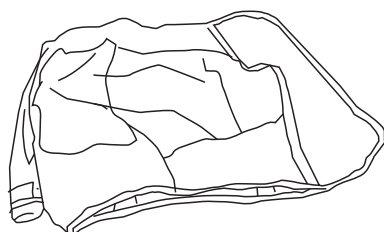
K x 1



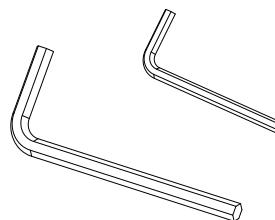
E x 1



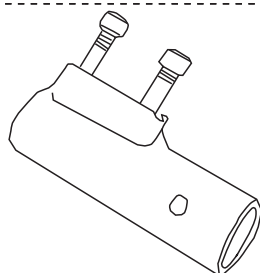
L x 2



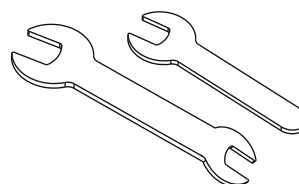
F x 1



M x 1

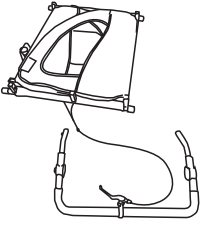


G x 2

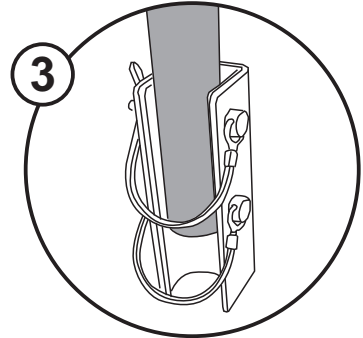
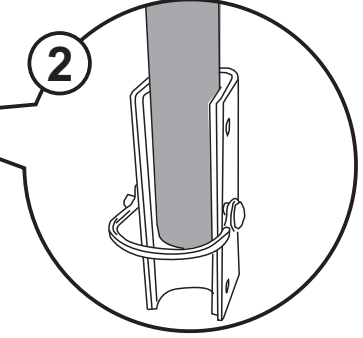
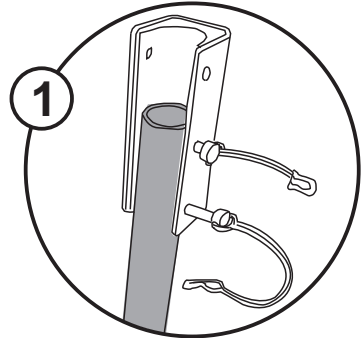
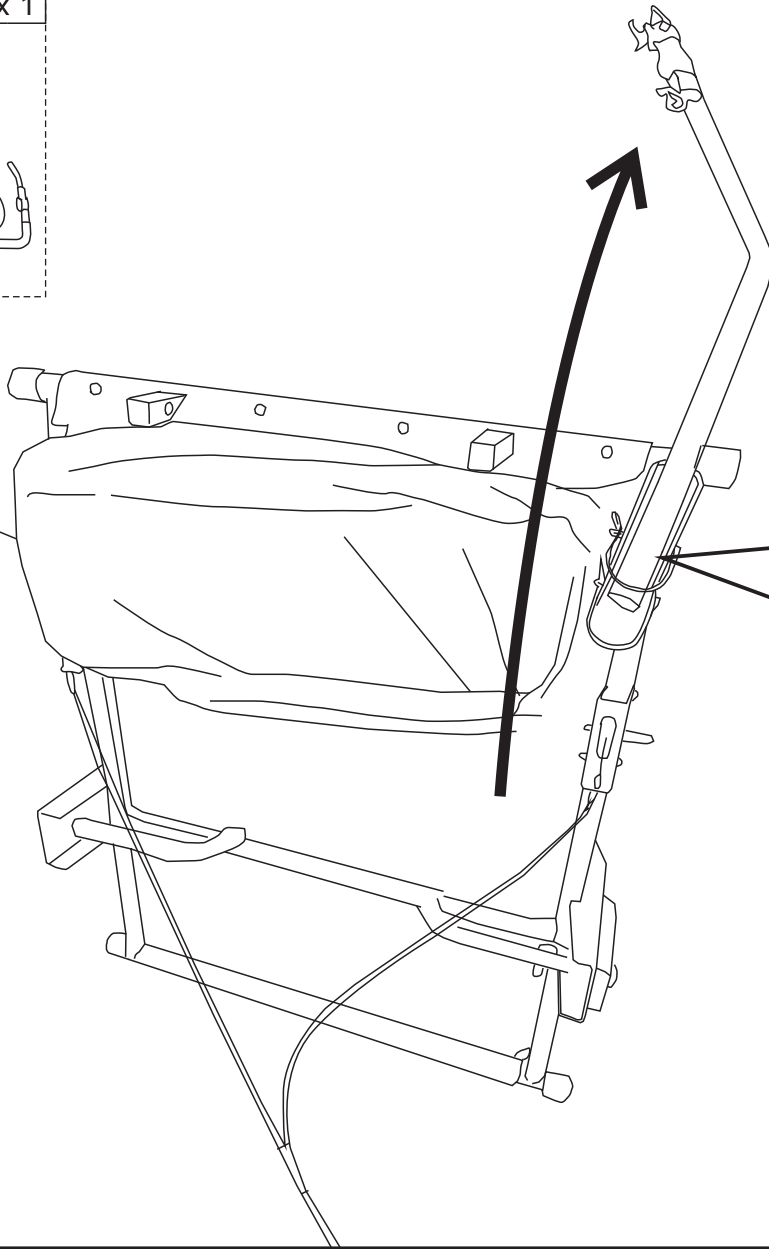


N x 1

A x 1



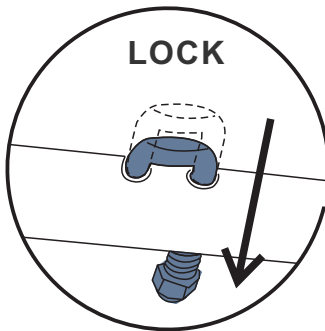
A



B x 2

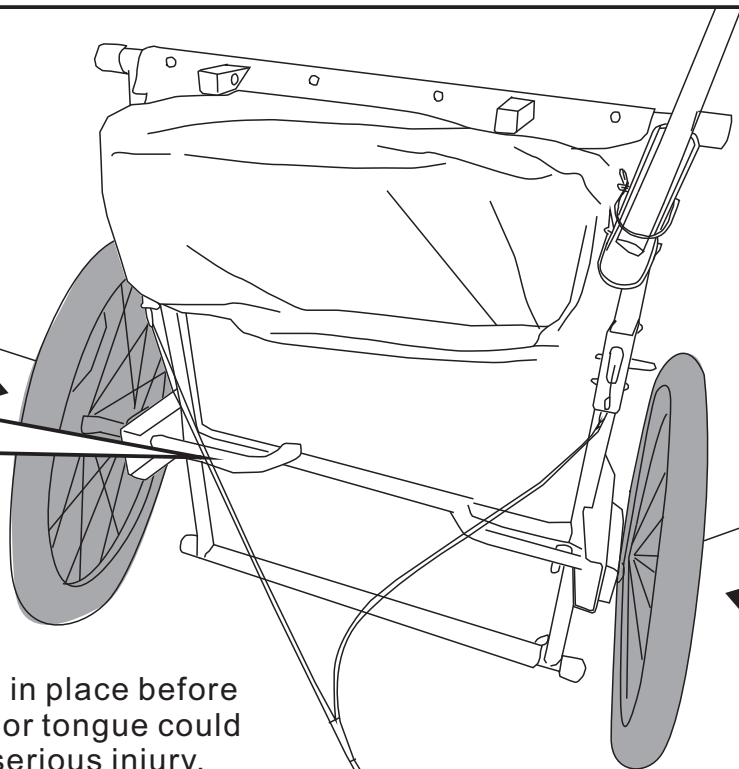


LOCK



B

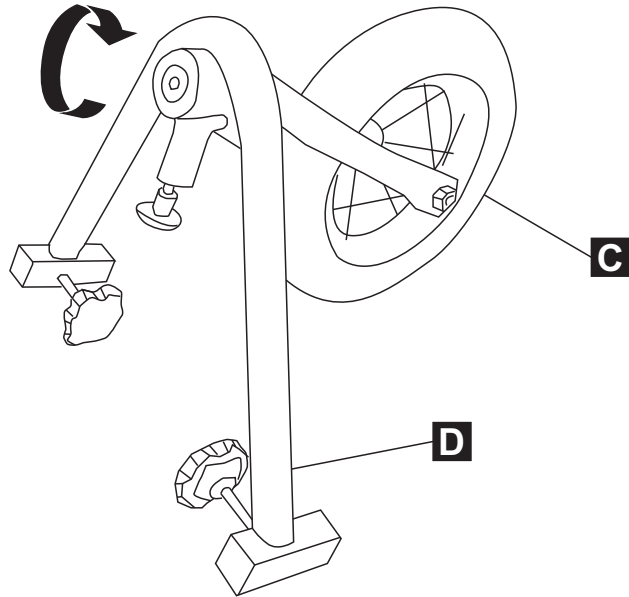
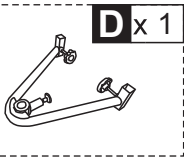
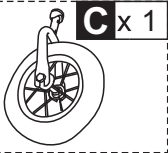
B



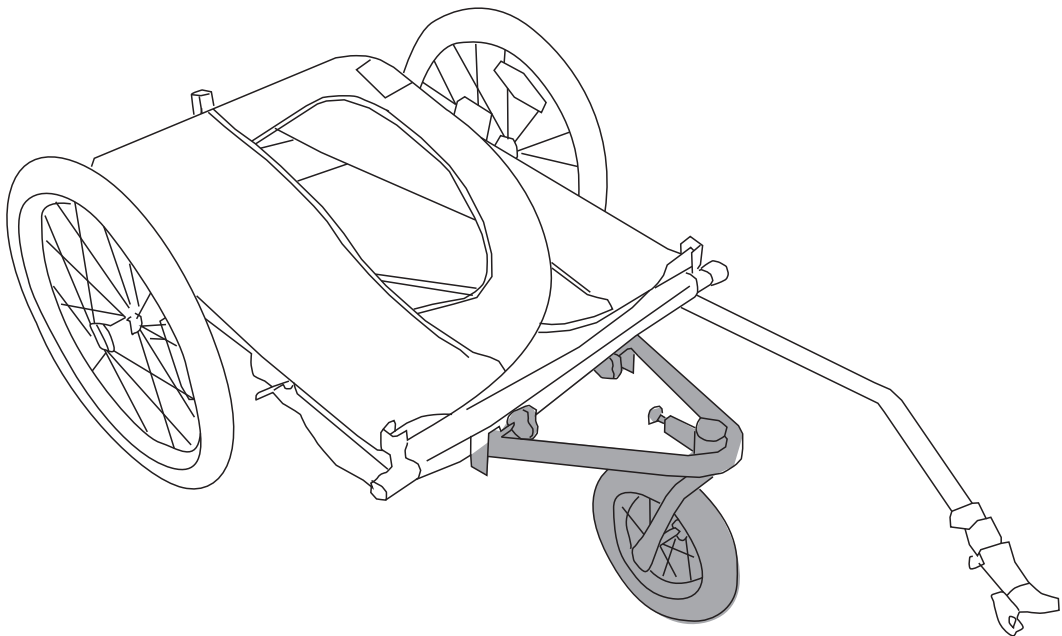
WARNING

Both safety pins must be locked in place before using frailer. oth-erwise roll bar or tongue could shift and cause an accide nt or serious injury.

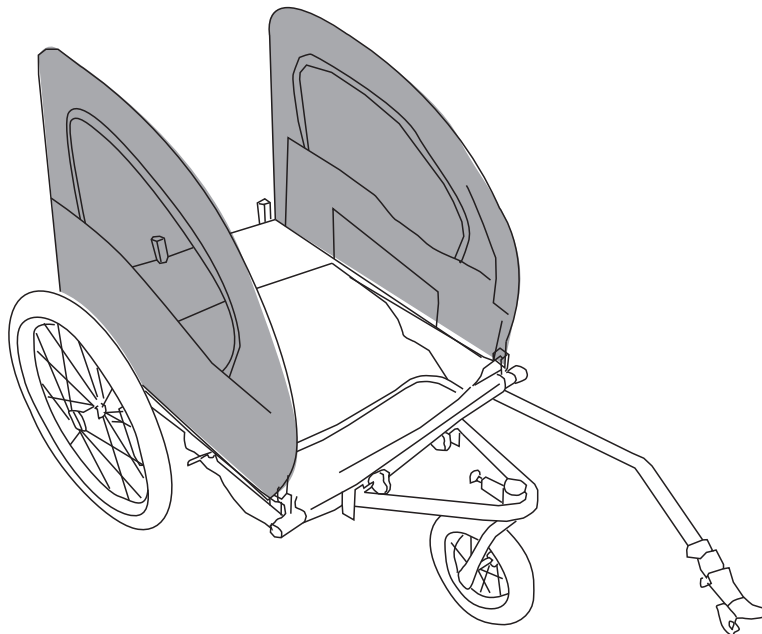
03



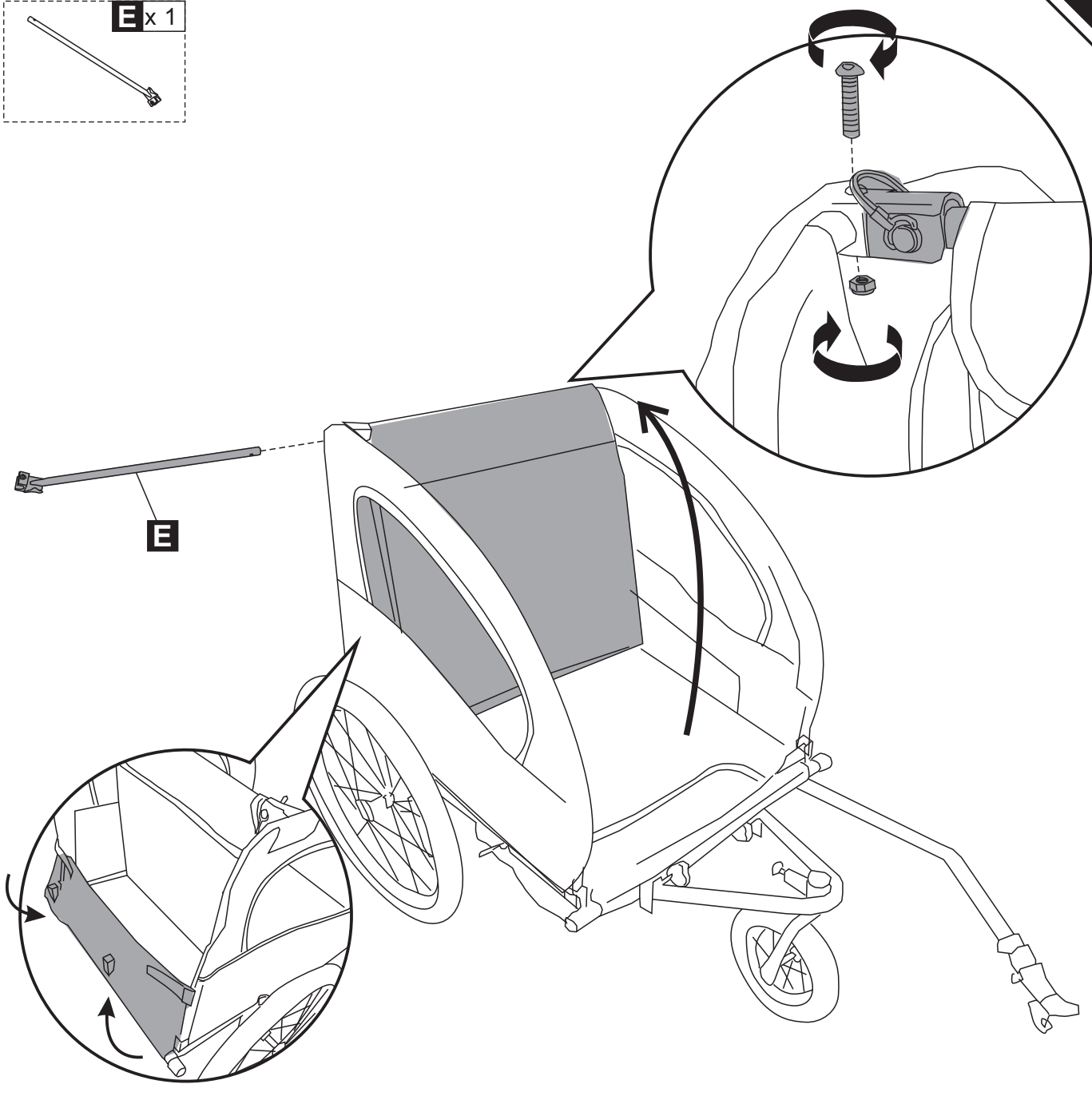
04



05



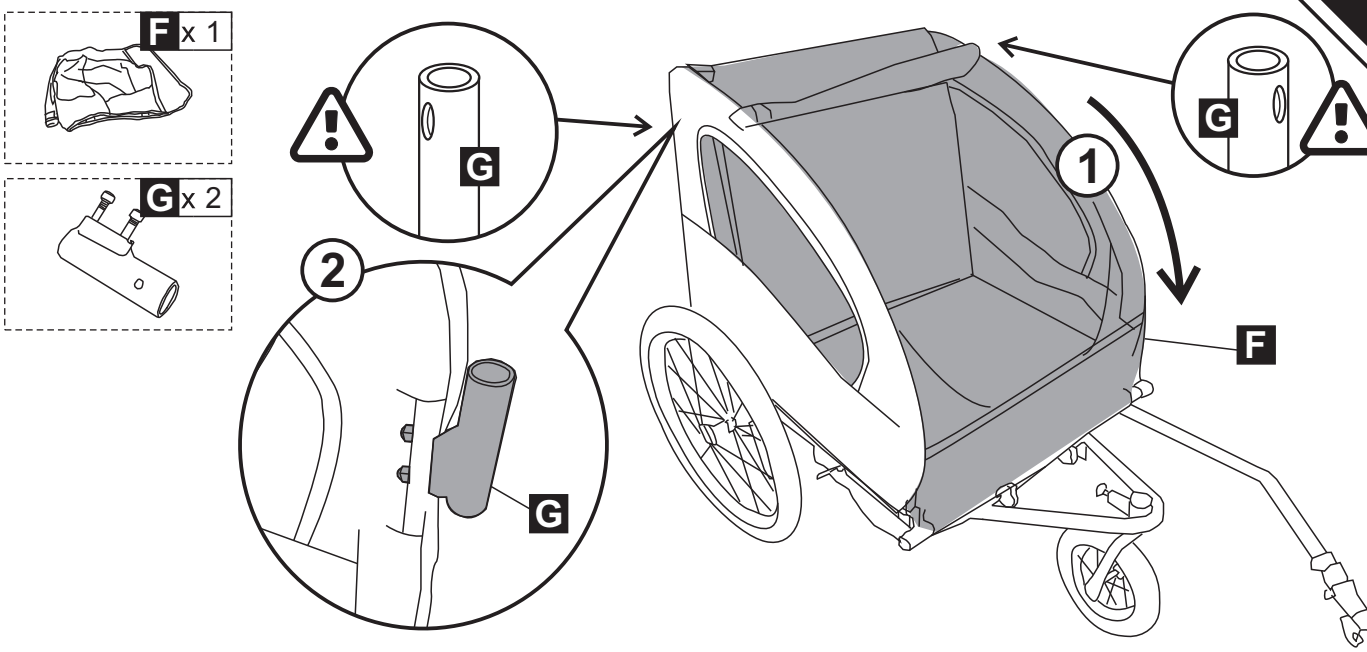
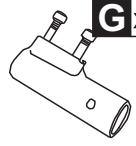
E x 1

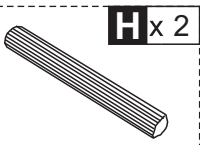


F x 1

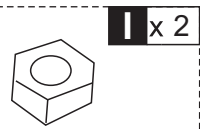


G x 2

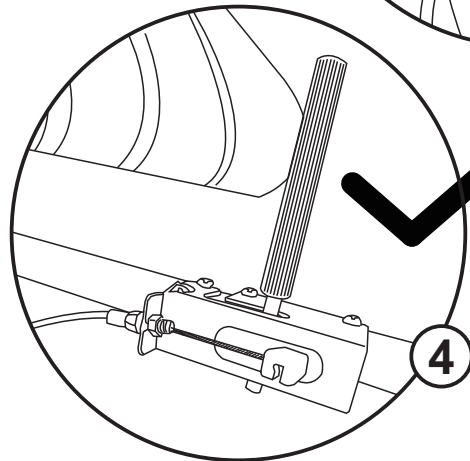
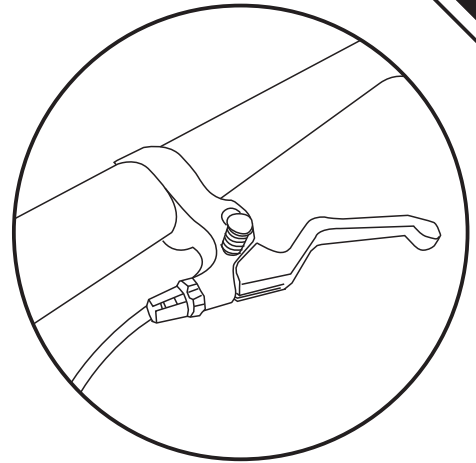
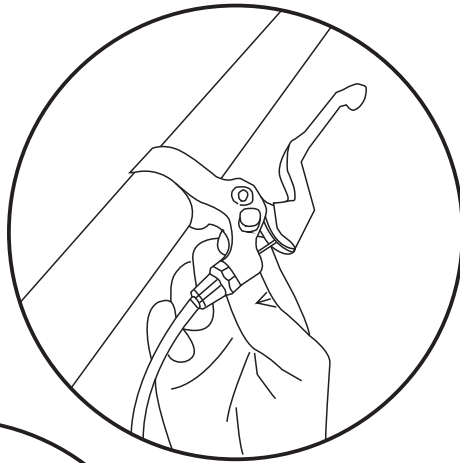




H x 2

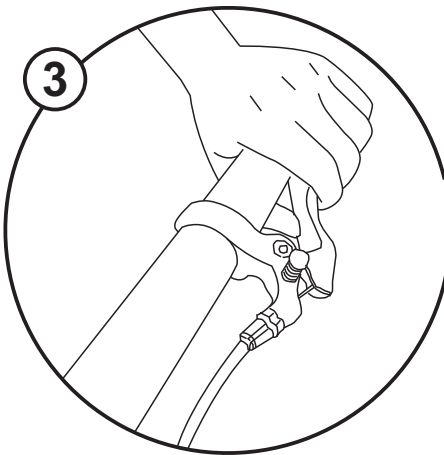


I x 2

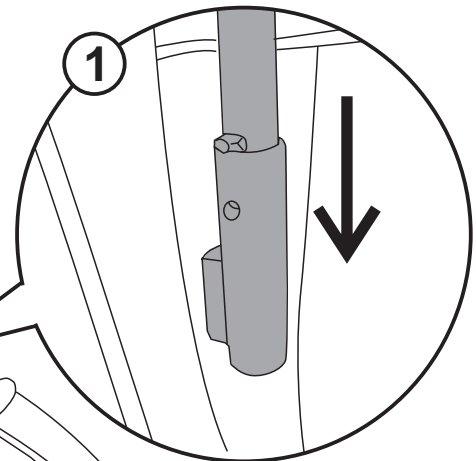


4

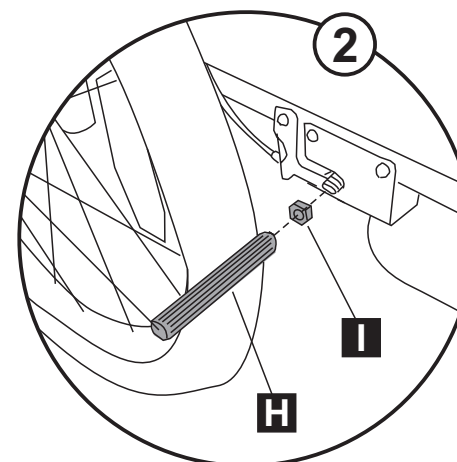
The handle can be designed to adjust the height. Press the button by hand, so the handle height can be adjusted



3



1



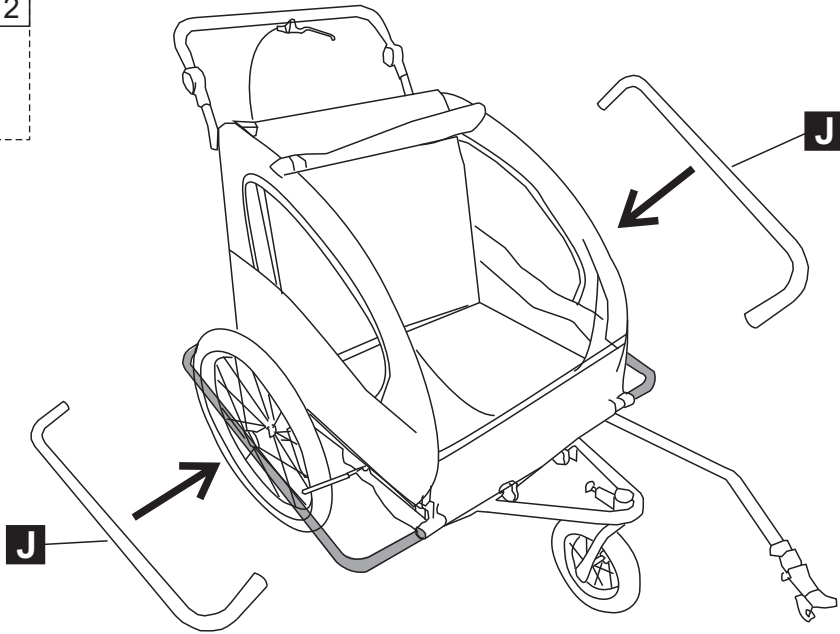
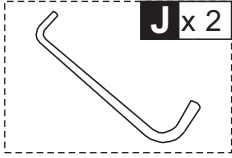
2

H

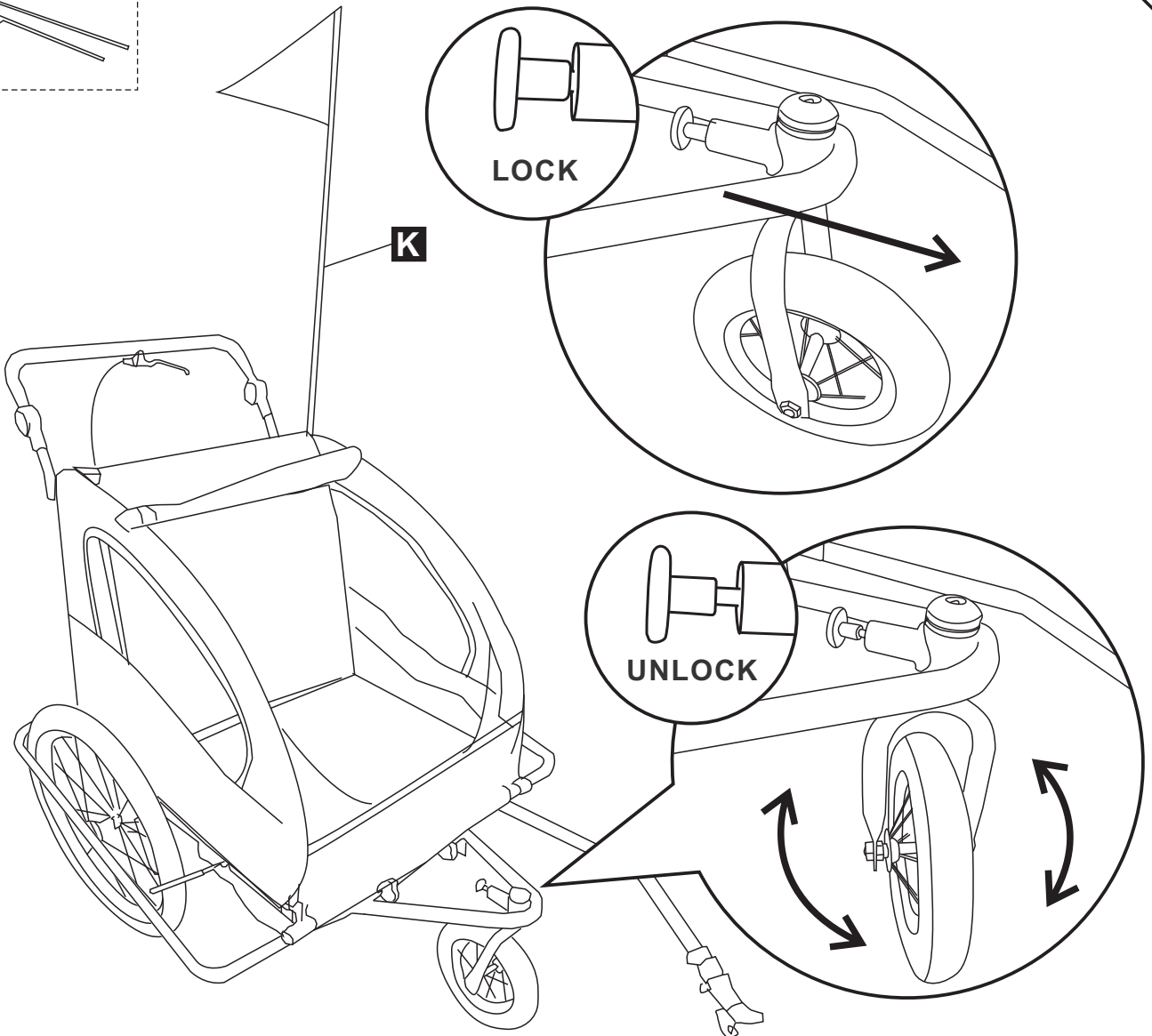
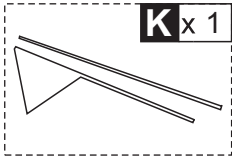
I

The trailer can be with a wheel brake, Turn the side screw tightly, also tighten the 6-sides nut with tools. Teh brake on the handle can control the wheel brake. When you close the brake on the handle bar and press down the screw, so the trailer can not go forward.

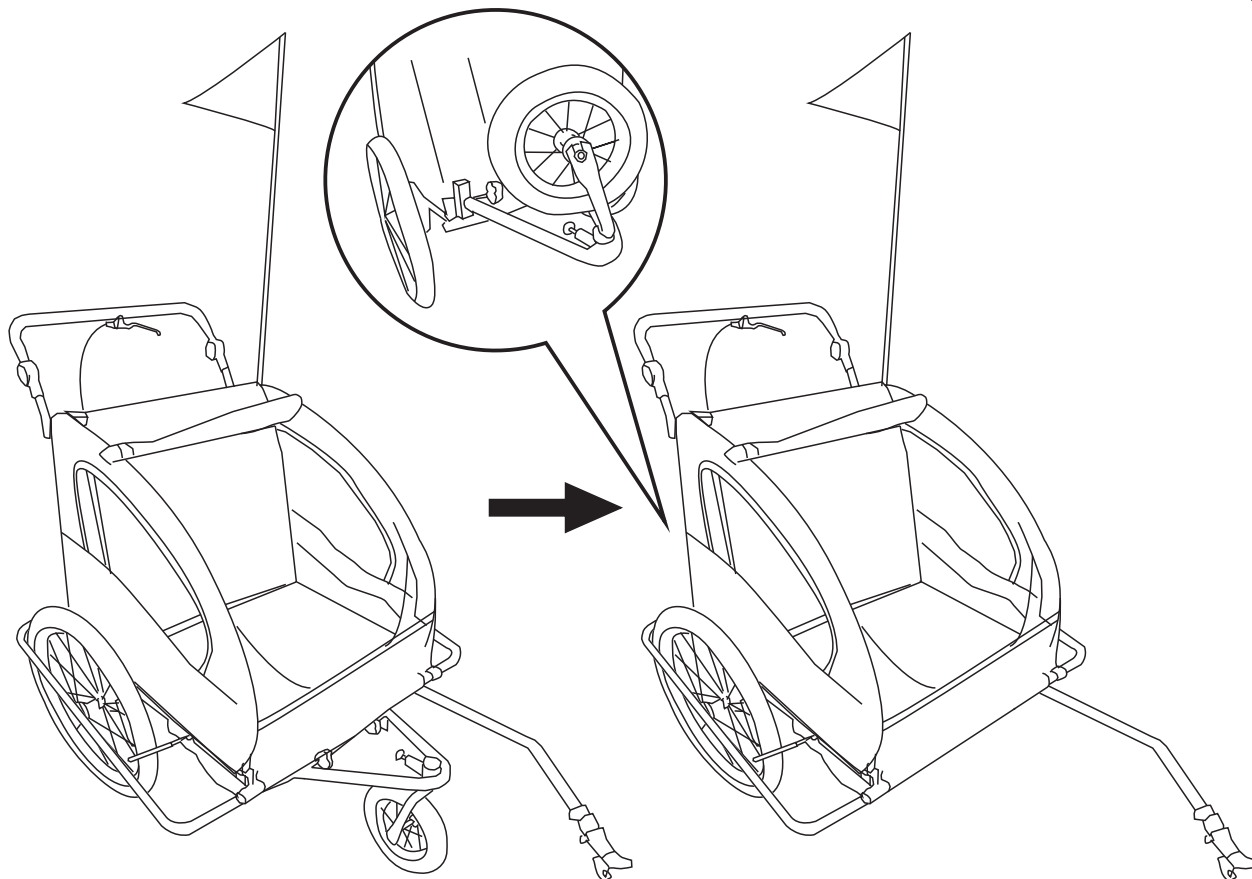
J x 2



K x 1



Black knob can control the wheel condition(lock Or unlock) Pull out and turn the black knob,the wheel position can be controlled.



When the trailer is used to connect with bicycle, you can put the front wheel at the back

