

INSTRUCTIONS

Dear users,

Thank you for your purchasing. Please read the instructions carefully before use

and keep them for future reference. Always obey safety precautions as mentioned in

these instructions and on the warning label. Always use common sense safety

practices, and monitor children's at all times. It is concerning correct and safe

assembly and use of the product. The child may be hurt if you do not follow these

instructions

This manual is applicable to following type of products:

341-039

Install Instruction:

The product should be assembled by an adult, referring to its assembly diagram

or product images.

WARNINGS

1. The product should be assembled by an adult!
2. Away from fire! Away from water!
3. CHOKING HAZARD - Small parts. Not for children under 3 years!
4. To be used under the direct supervision of an adult.
5. FOR AGES 6-12 years.

FEATURES & FUNCTION

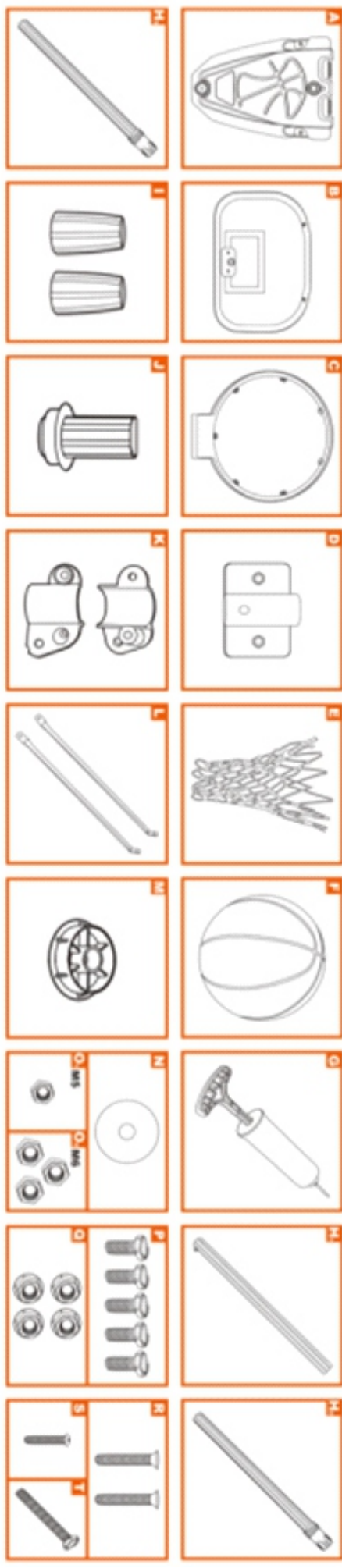
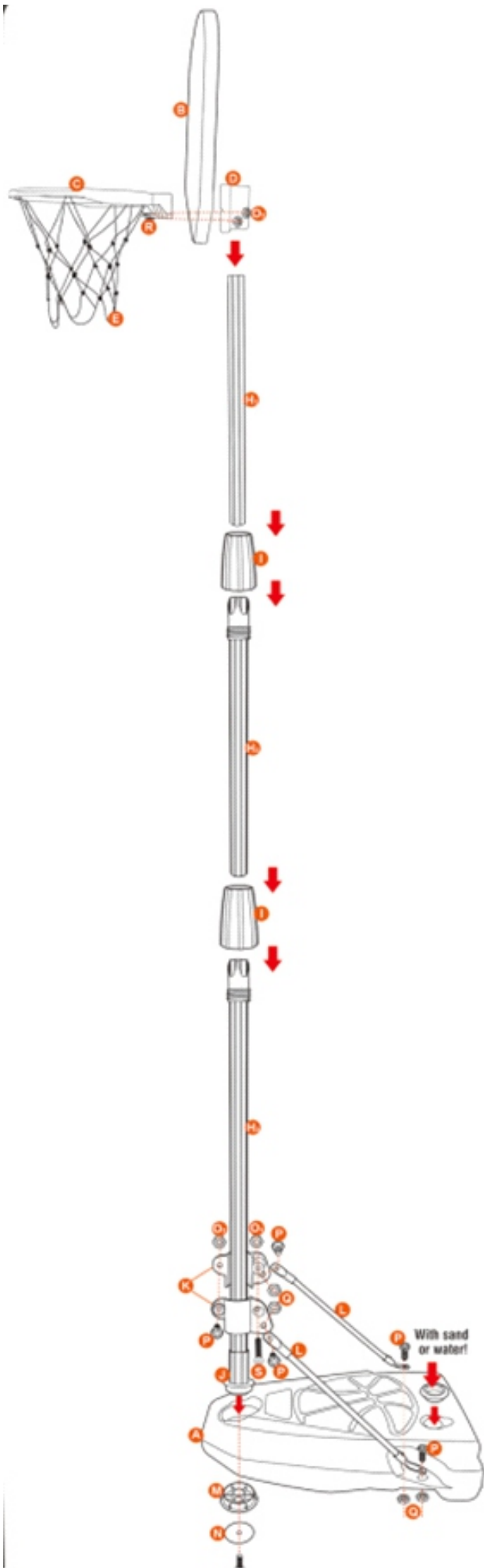
Made from 100% environment friendly materials, safe to use;

Parents and kids can play together for more intimate relationship.

Inspires the children's intellectual development.

Improves the children's ability to handle practical task.

Positive quality culture.



US



001-877-644-9366
customerservice@aosom.com

CA



001-855-537-6088
customerservice@aosom.ca

UK



0044-800-240-4004
enquiries@mhstar.co.uk

DE



0049-(0)40-88307530
service@aosom.de

FR



0033-1-84166106
contact@aosom.fr

ES



0034-931294512
atencioncliente@aosom.es

IT



0039-0249471447
clienti@aosom.it