



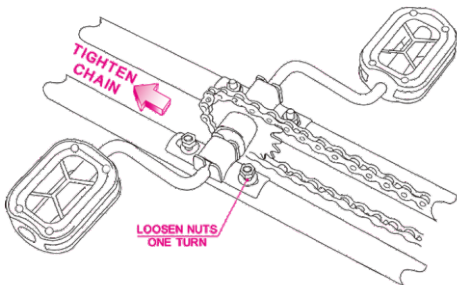
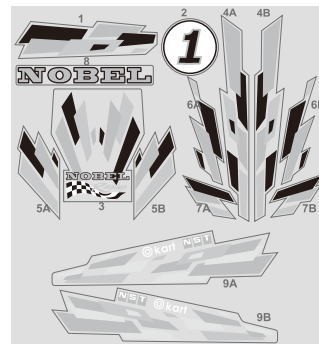
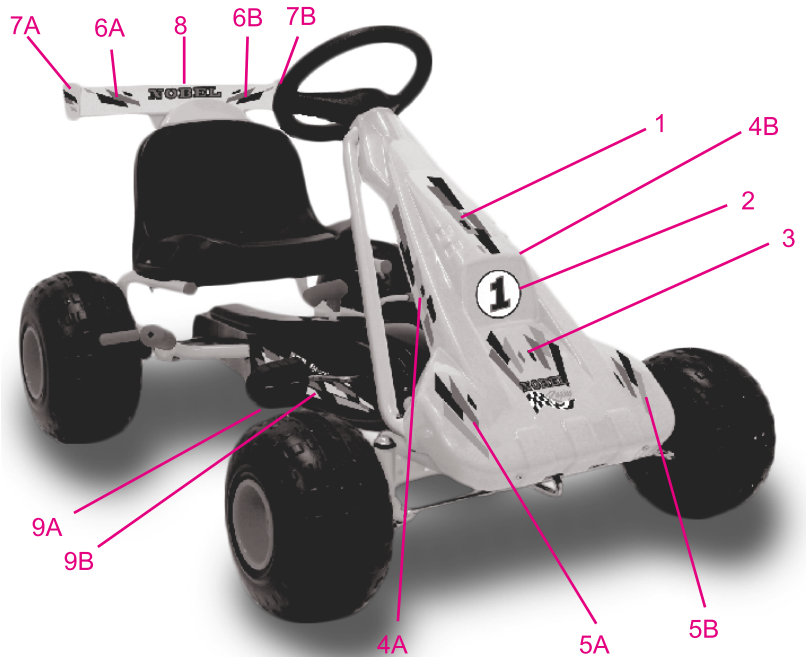
ASSEMBLY DIAGRAM

RACING CAR



WARNINGS:

1. THIS PRODUCT SHOULD ONLY BE USED BY CHILDREN OF 3-6 YEARS OLD, MAXIMUM CARRYING WEIGHT IS 35 KGS, NEVER RIDE WITH MORE THAN ONE PERSON. NOT SUITABLE FOR ADULT USING.
2. NEVER USE NEAR STEPS, SLOPED DRIVEWAYS, HILLS, ROADWAYS, ALLEYS, SWIMMING POOL AREAS, ROAD, ON GRASS OR WET SURFACES OR OTHER BODIES OF WATER.
3. ADULT SUPERVISION IS REQUIRED.
4. PLASTIC BAGS AND SMALL LOOSE PARTS MAY BE DANGEROUS, KEEP AWAY FROM THE REACH OF CHILDREN. TO AVOID SUFFOCATION HAZARD OR SWALLOW.
5. BEFORE DRIVING TOY CAR EACH TIME, ADULT SHOULD INSPECT SCREWS OF EVERY PARTS, PLEASE TIGHTEN THE SCREW CAP IF ANY LOOSENESS. SECURE ALL FASTENERS BEFORE EVERY RIDE.
6. ENSURE THE CHILD UNDERSTANDS THE OPERATION OF THE UNIT BEFORE RIDING.
7. ALWAYS WEAR SHOES, KNEEPAD AND WRISTER. ALWAYS WEAR AN LOCAL STANDARD APPROVED HELMET WHILE RIDING, WITH THE CHINSTRAP SECURELY FASTENED.
8. DO NOT USE SCREW-DRIVER TO PRIZE THE CONNECTION PARTS OF PLASTICS AND STEEL TUBES AND DO NOT HIT THE PRODUCT, AVOIDING INJURY CAUSED BY BROKEN PLASTICS TO CHILDREN.
9. DO NOT PUSH THE PRODUCT OR TOW/PULL ANY OBJECTS WITH THE PRODUCT.
10. DO NOT USE FOR STUNTS OR JUMPING.
11. DO NOT RIDE THE PRODUCT AT DUSK, AT NIGHT OR AT TIMES OF LIMITED VISIBILITY.
12. THIS PACKAGE CONTAINS SMALL PARTS FOR ADULT ASSEMBLY ONLY.
13. ALWAYS COMPLY WITH LOCAL LAWS AND REGULATIONS.



IF THE CHAIN COMES LOOSE

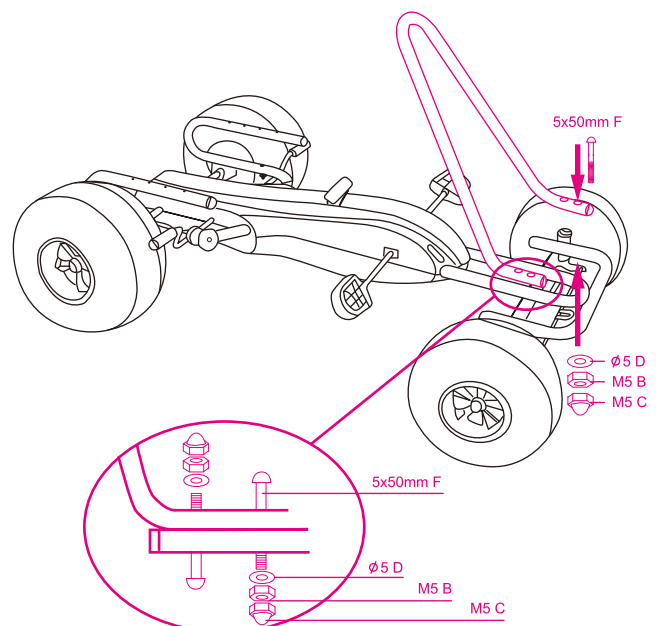
- *REMOVE THE BACK PLASTIC COVER UNDER THE FRAME BY UNDOING THE PHILIPS HEAD SCREWS.
- *LOOSEN THE PEDAL BRACKET NUTS ONE TURN.
- *SLIDE THE PEDAL BRACKET FORWARD TO TIGHTEN THE CHAIN.
- *RE-TIGHTEN THE PEDAL BRACKET NUTS.
- *REPLACE THE PLASTIC COVER AND INSERT THE PHILIPS HEAD SCREWS.

A		M8x1	E		x2	I		Ø8x1
B		M5x8	F		5x50mmx4	J		Ø8x2
C		M5x8	G		5x45mmx4	K		4x16mmx3
D		Ø5x14	H		5x20mmx2			
		tool						

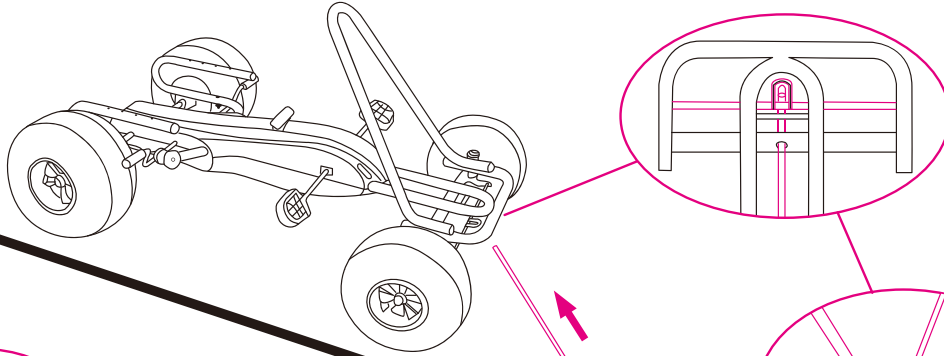


Tools not included

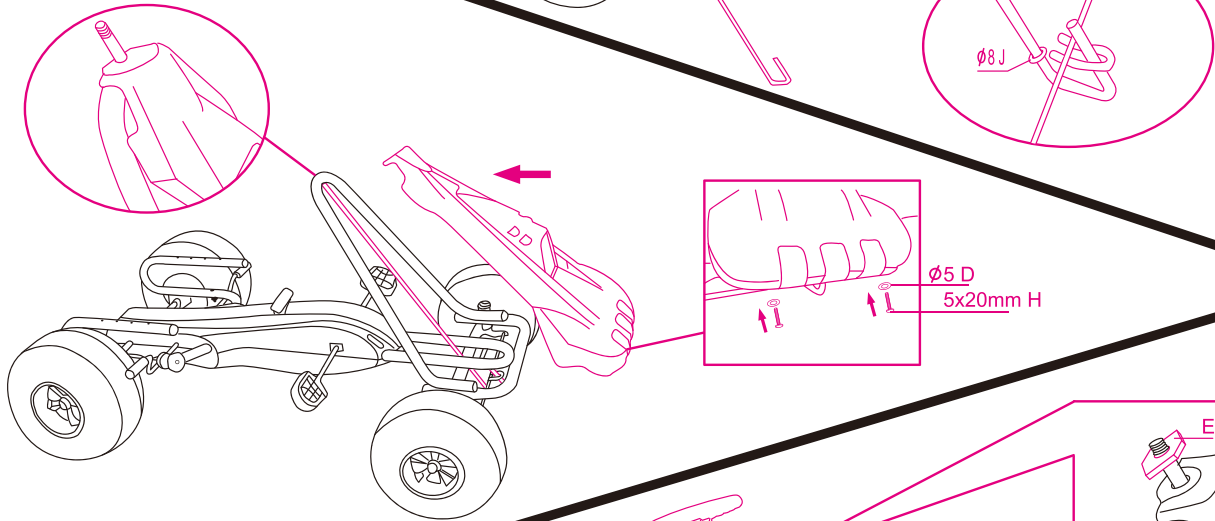
1.



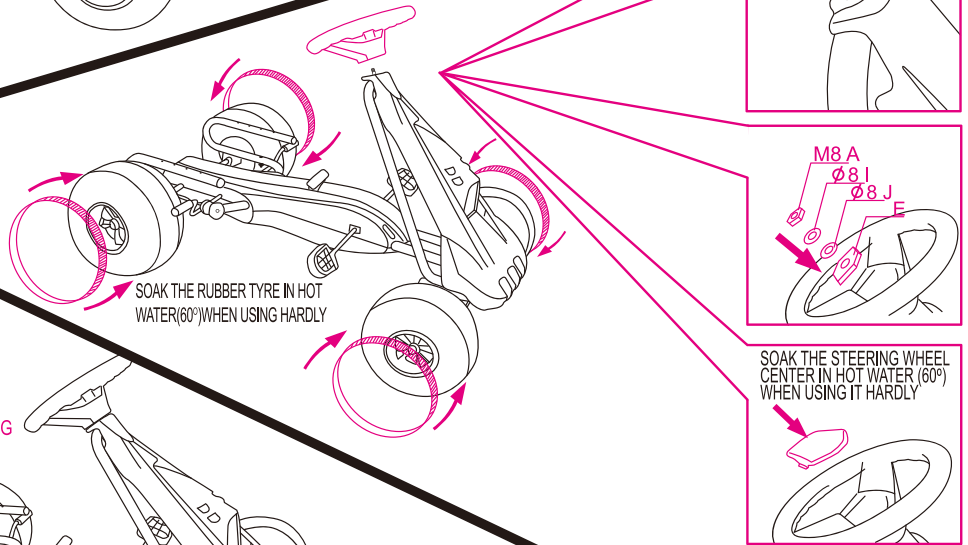
2.



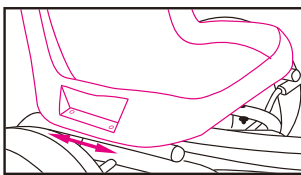
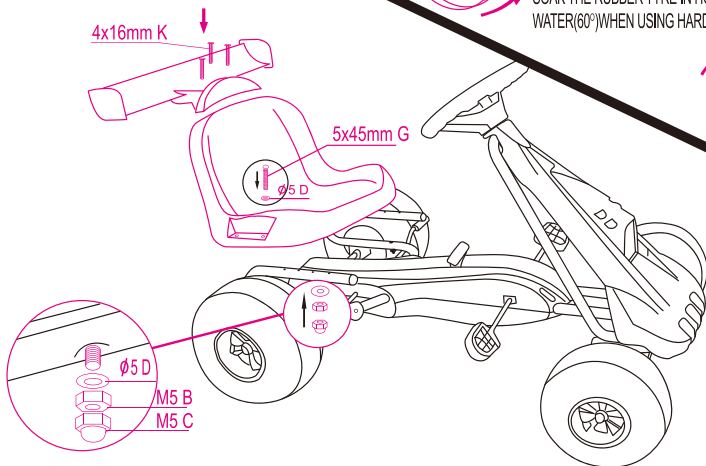
3.



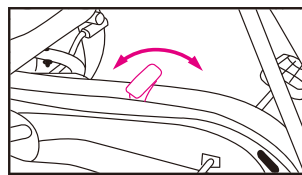
4.



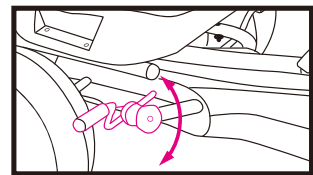
5.



ADJUSTABLE SEAT



TWO-SPEED GEARLEVER:
a: PEDAL CLUTCH
b: FREE-WHEEL CLUTCH



BRAKE HANDLE:
DOUBLE REAR-WHEEL EDGES
BRAKING

US



001-877-644-9366
customerservice@aosom.com

CA



001-855-537-6088
customerservice@aosom.ca

UK



0044-800-240-4004
enquiries@mhstar.co.uk

DE



0049-(0)40-88307530
service@aosom.de

FR



0033-1-84166106
contact@aosom.fr

ES



0034-931294512
atencioncliente@aosom.es

IT



0039-0249471447
clienti@aosom.it