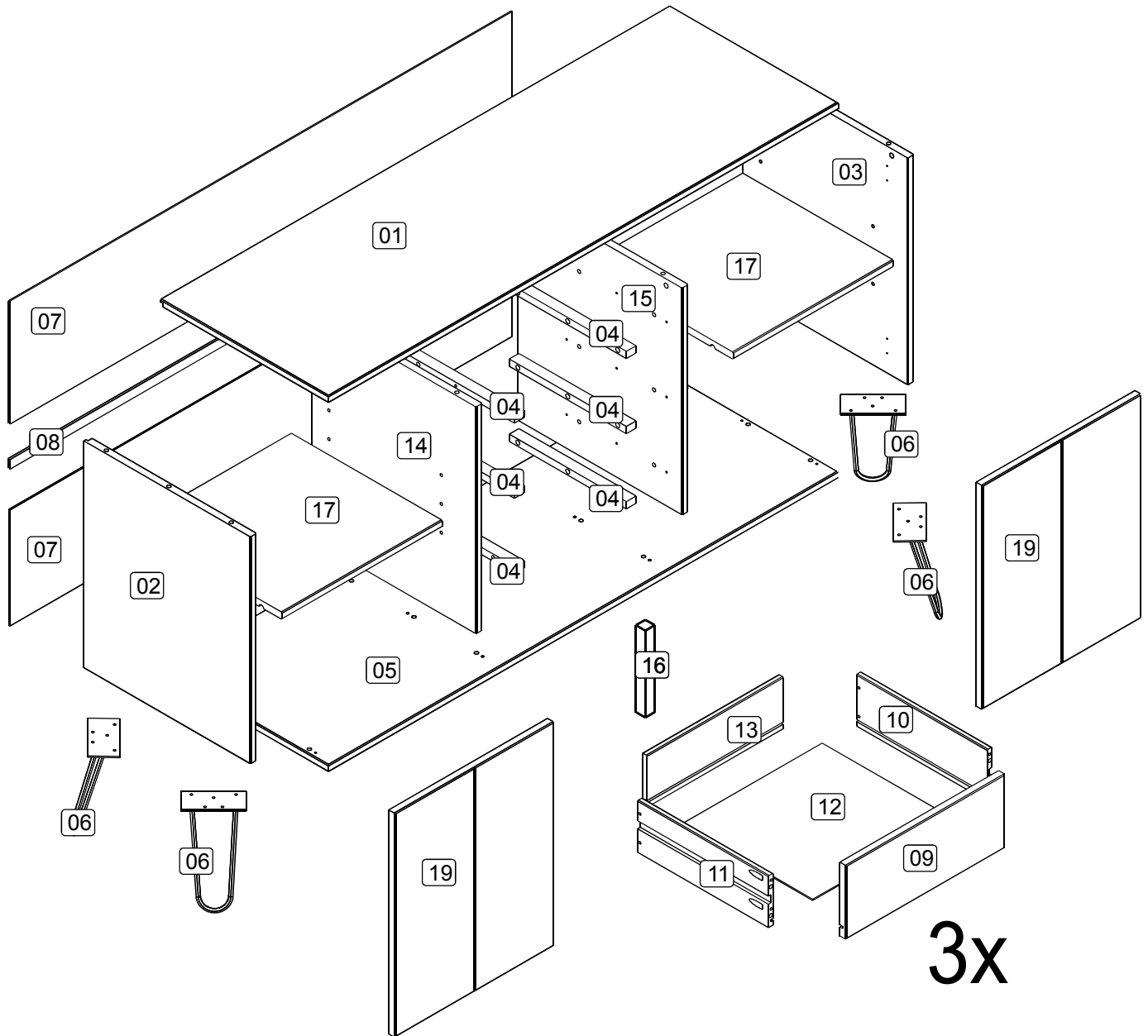


# AG916

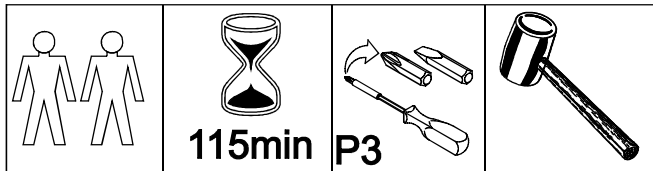


A MEMBER OF  
**ACID**<sup>®</sup>  
ANTI COPYING IN DESIGN

2x

Core Products are proud to be a member of ACID (Anti Copying in Design).  
Our designs are supported through their intellectual property databank.  
All copyright, design rights & intellectual property rights existing in this product,  
instructions and related documents are and will remain the property of Core Products.  
We will treat any infringement of these rights seriously.  
Copyright © Core Products 9/2020

# AG916



Thank you for choosing this furniture.

**BEFORE YOU START ASSEMBLY** please store the carton at room temperature for 48 hours or more so the contents can acclimatise.

**PLEASE RETAIN ALL PACKING UNTIL YOU HAVE COMPLETED ASSEMBLY.**

### Information about your Pine furniture.

Our pine furniture ranges have been carefully crafted from solid wood and wood fibre based composite boards. Each piece of pine has unique characteristics such as knots, variances in shading and graining. These are part of the natural character of the furniture itself.

### Caring for your Pine furniture.

Extreme temperature can cause slight movements in the wood itself so please avoid placing your furniture close to radiators or other direct sources of heat. Humidity should also be avoided.

Please avoid exposing your furniture to continued bright sunlight as it can affect the colour.

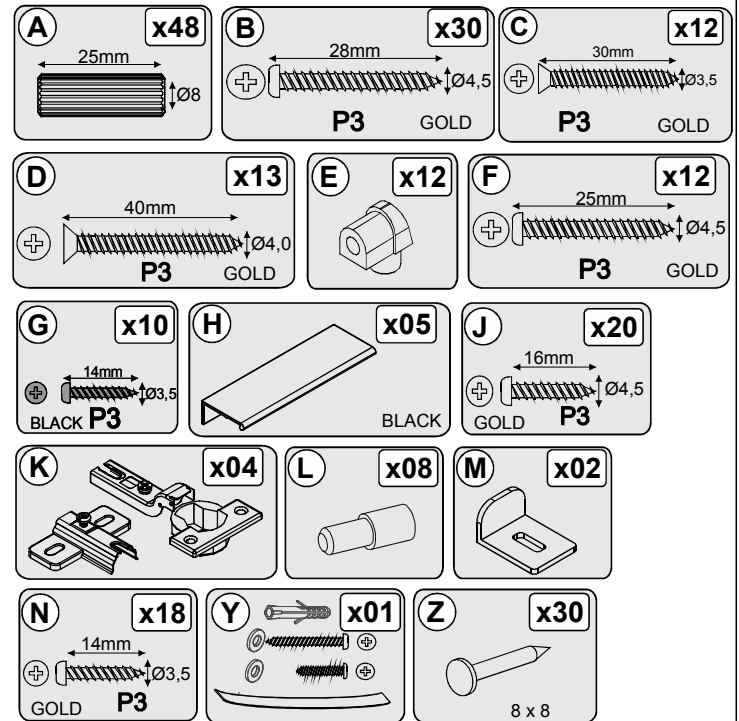
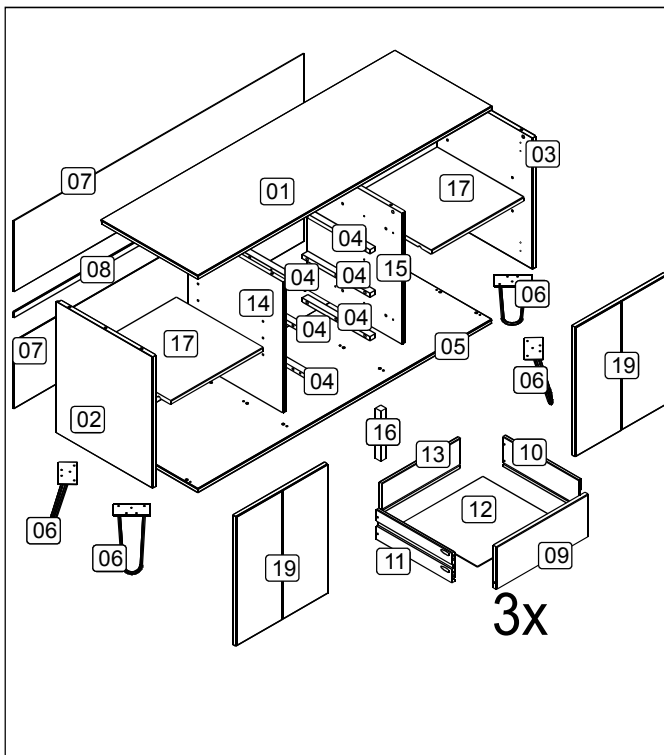
Any fluid spills should be removed as quickly as possible.

Always lift your furniture when moving as dragging may cause damage to your furniture or flooring.

### After care.

Wipe the surfaces with a dry cloth and an occasional use of a normal household furniture polish. For the models with drawers, we also recommend you use household spray polish occasionally on drawer grooves and runners as this will aid use. Please do not use detergents or chemicals on your furniture.

## PARTS LIST



## BEFORE YOU START ASSEMBLY

Please check that you have all the correct parts and fittings as detailed on the assembly instructions.

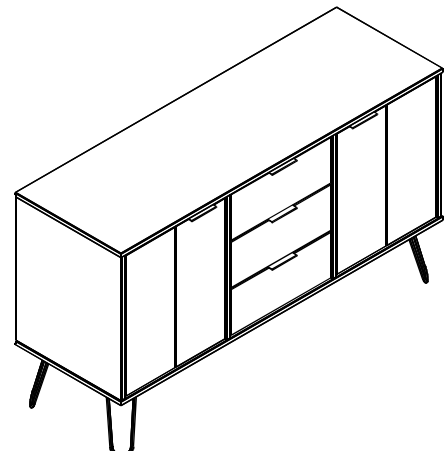
### FOR DAMAGED/REPLACEMENT PARTS

Please visit

[www.coreproducts.co.uk/parts](http://www.coreproducts.co.uk/parts)

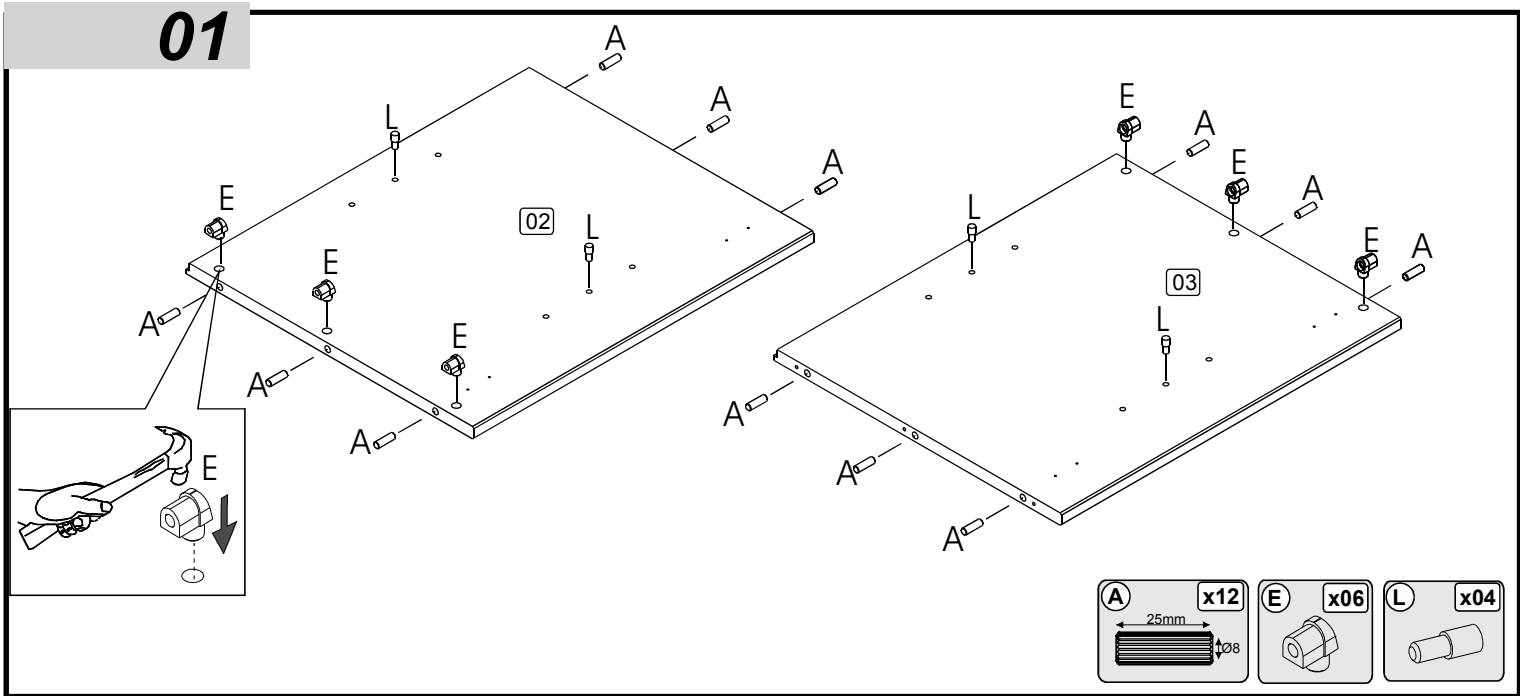
## 2021 SPECIFICATION

Batch Number 2020-0000

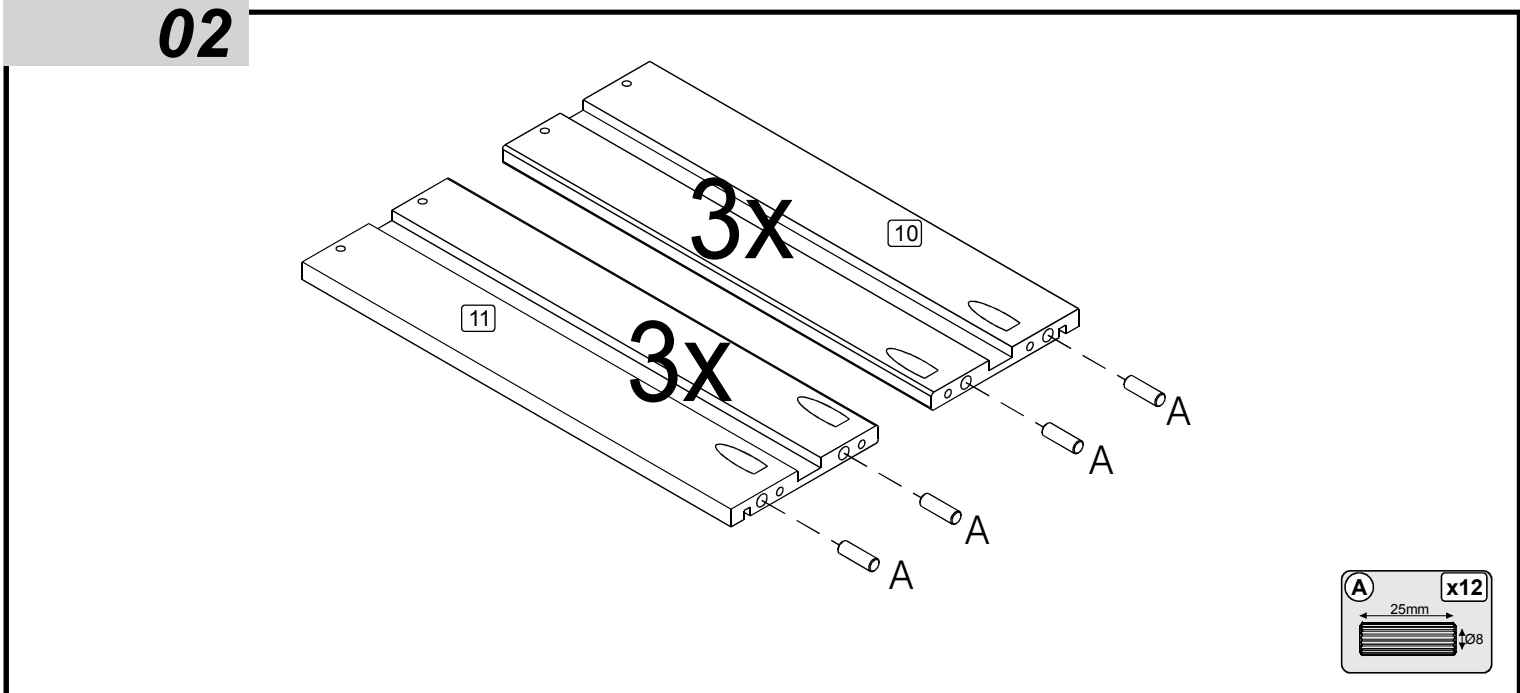


**PLEASE RETAIN THIS LEAFLET ALONG WITH YOUR DELIVERY NOTE/RECEIPT FOR FUTURE REFERENCE**

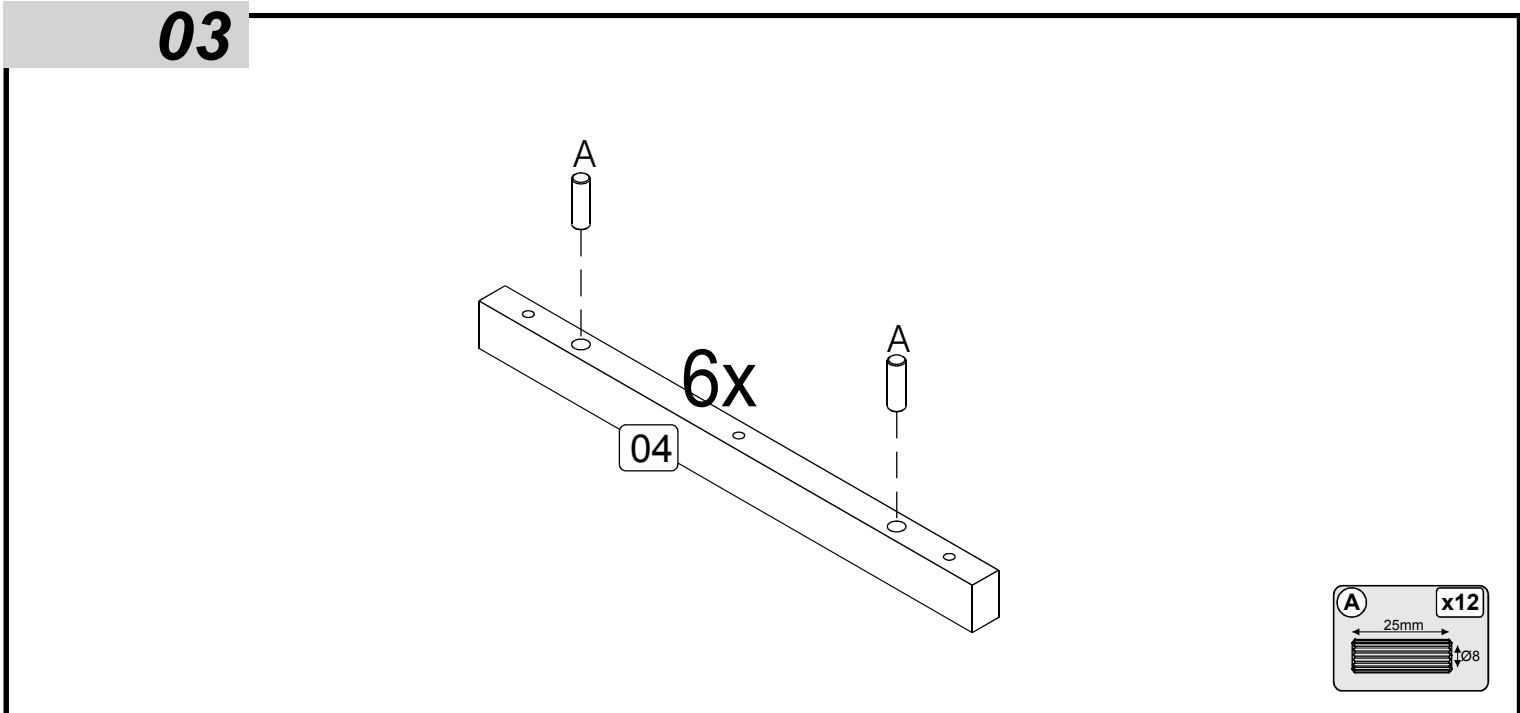
# 01



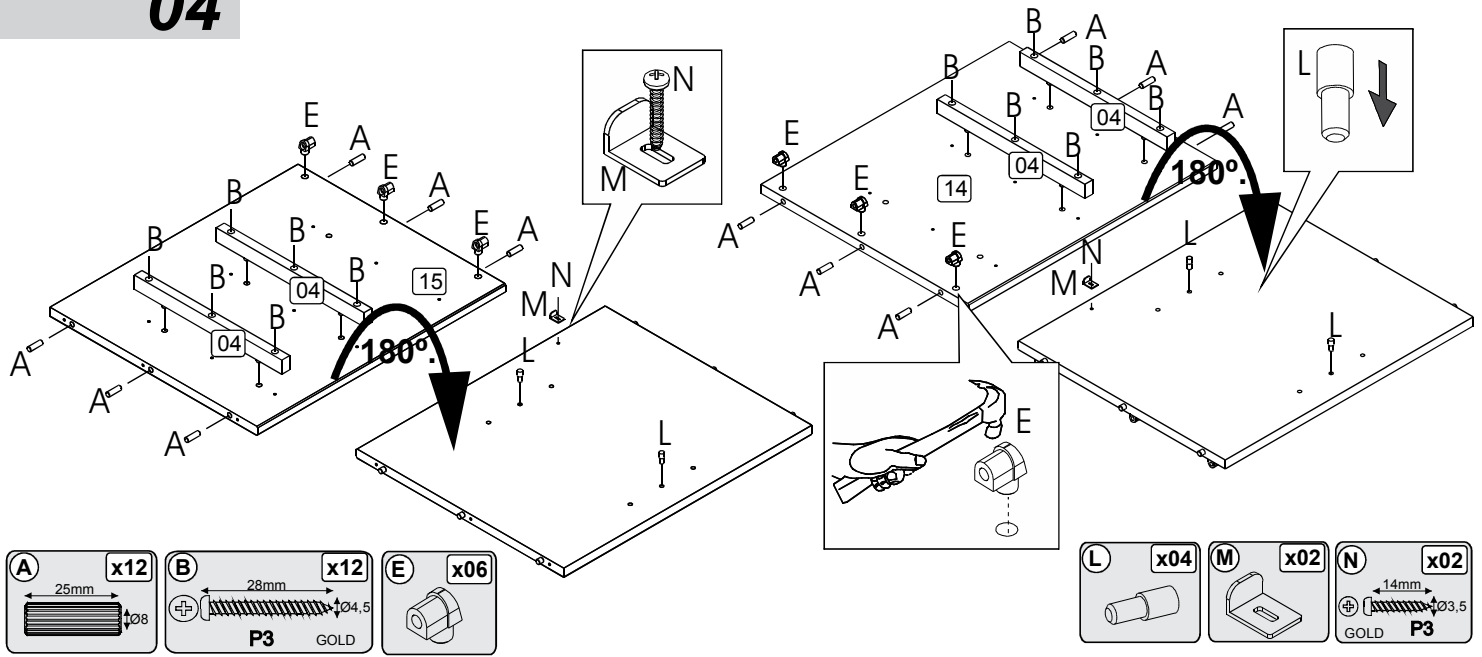
# 02



# 03

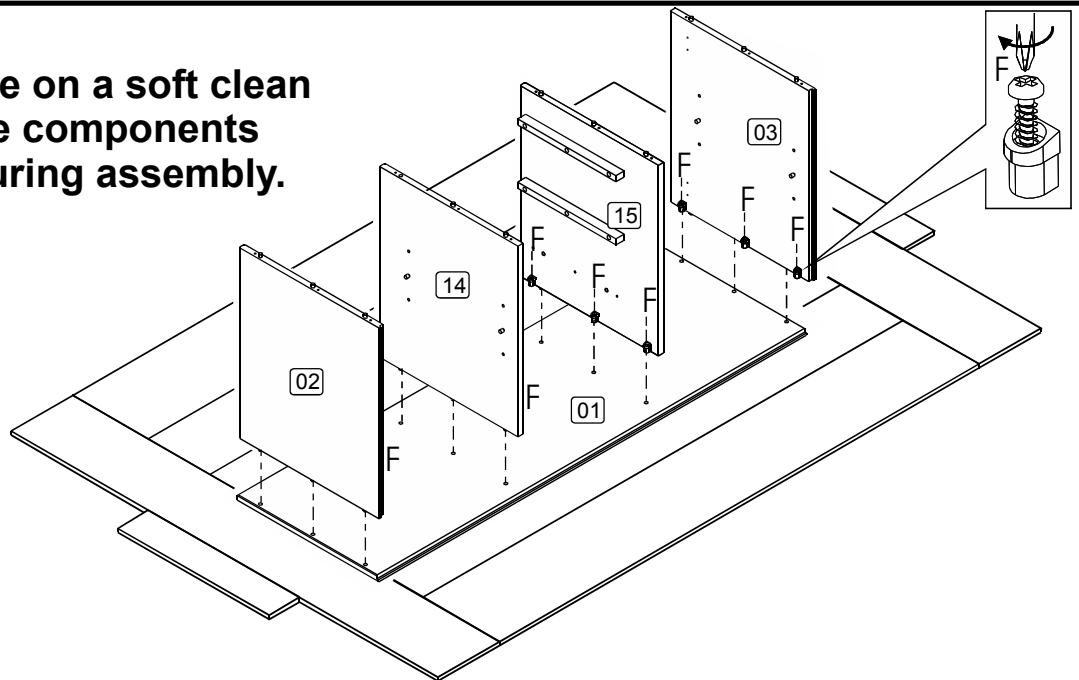


# 04

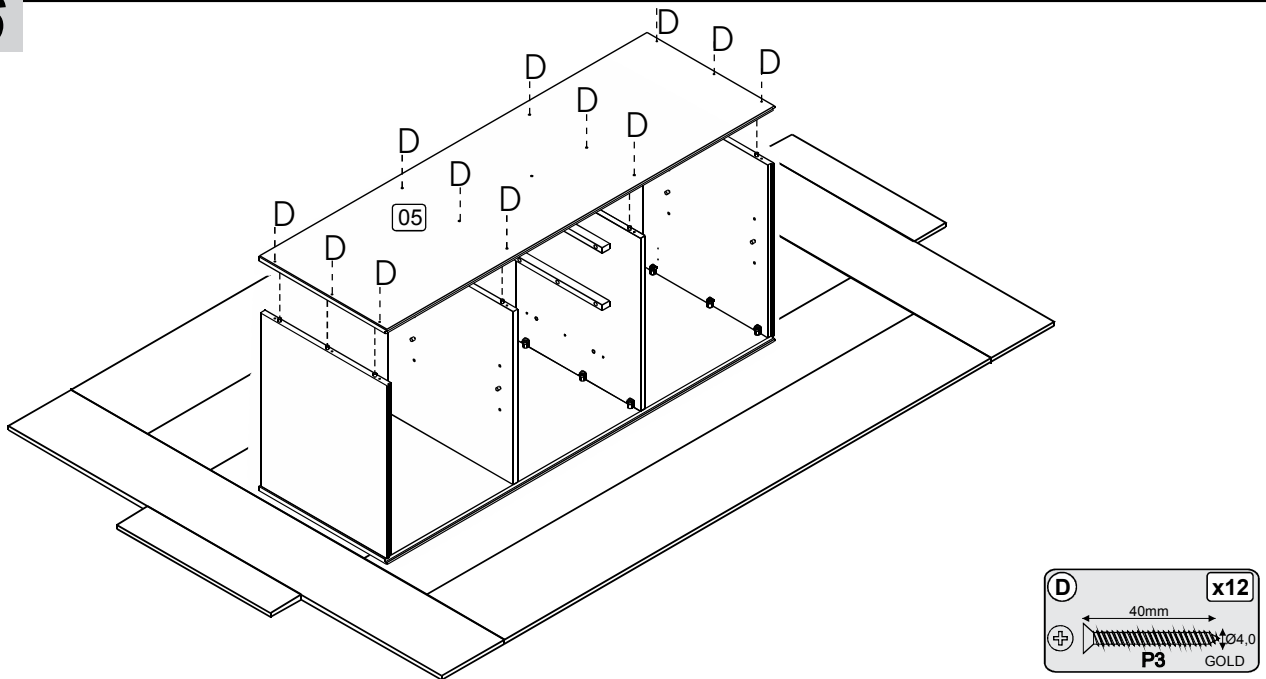


# 05

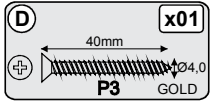
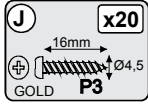
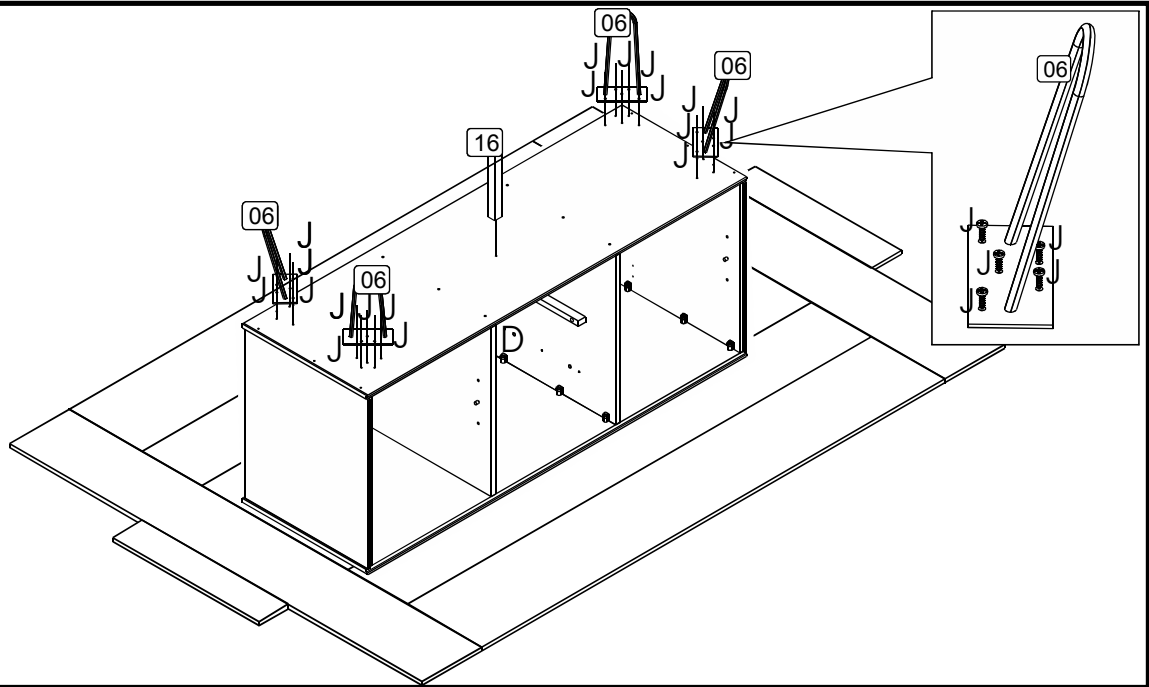
Build your furniture on a soft clean cover to stop the components getting marked during assembly.



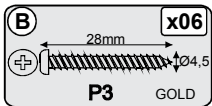
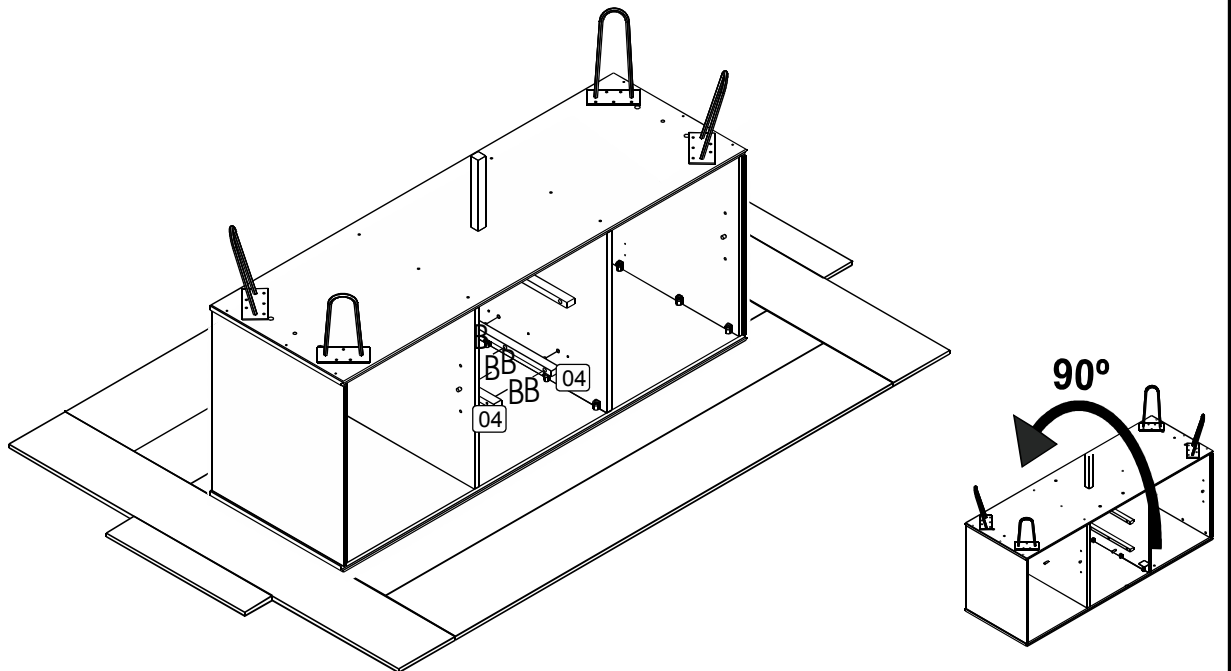
# 06



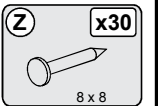
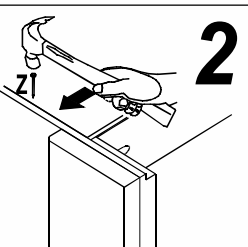
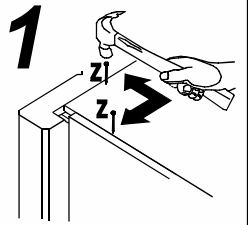
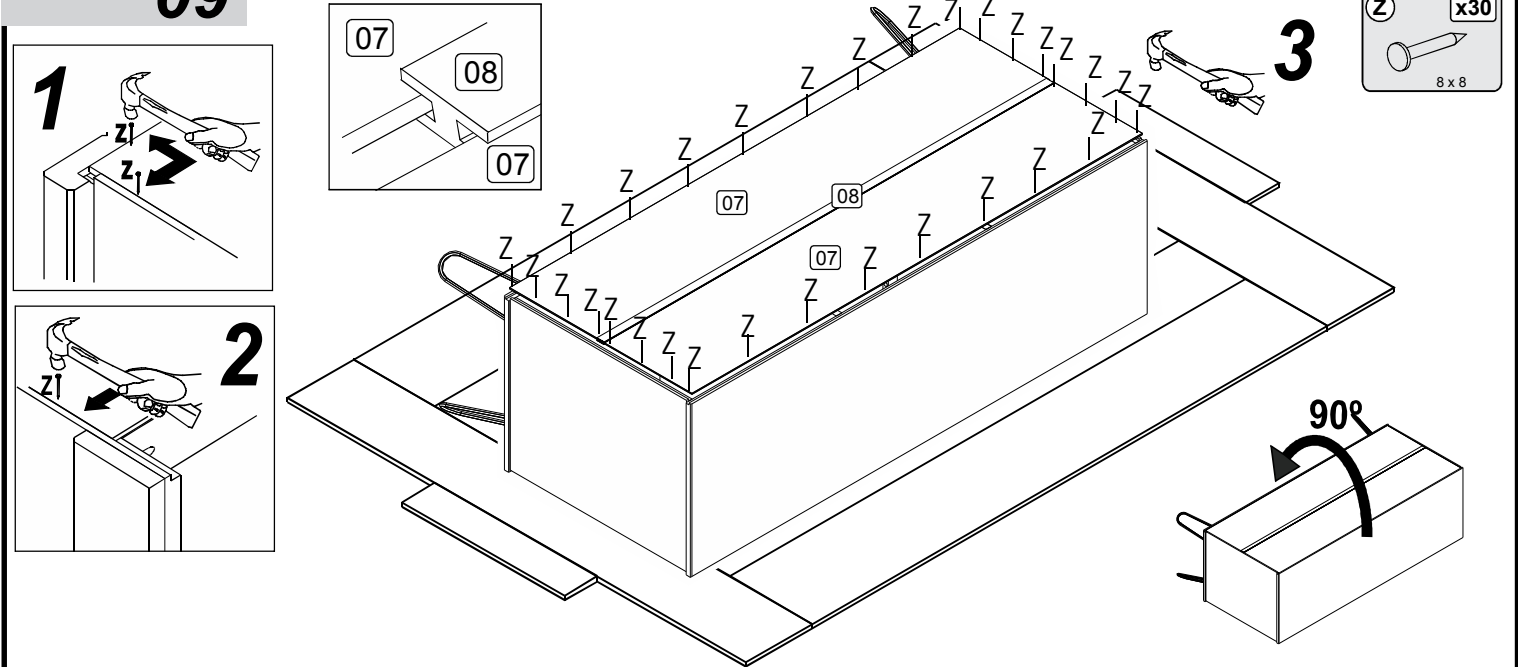
07



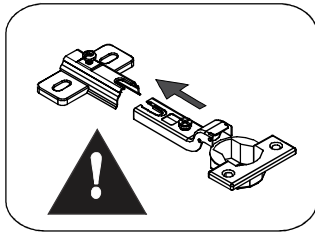
08



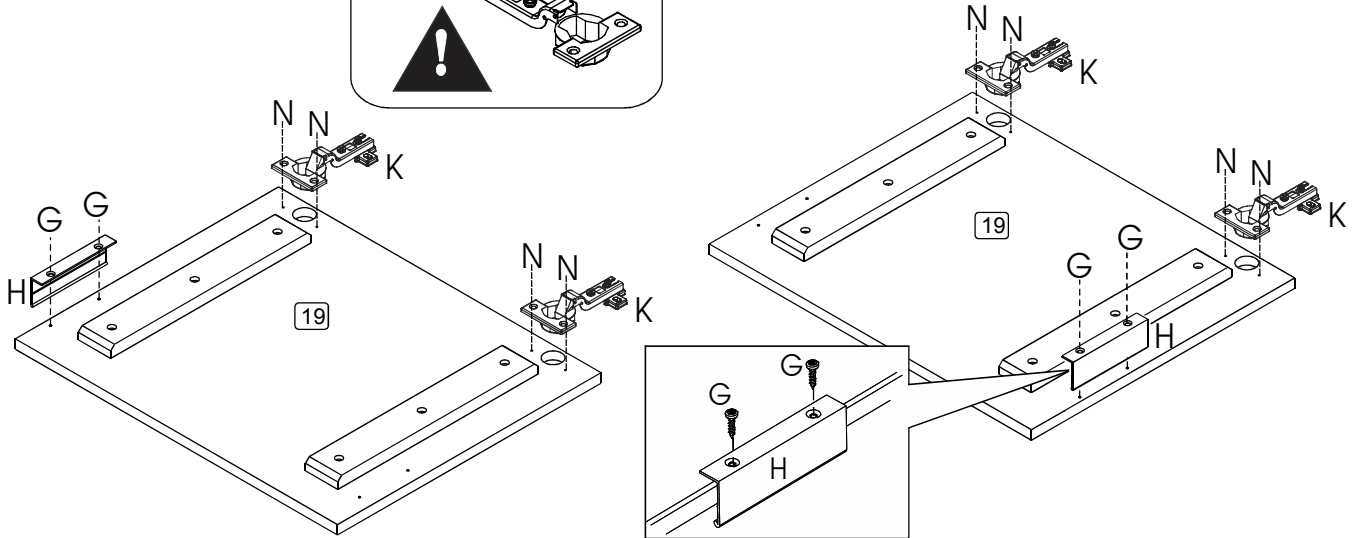
09



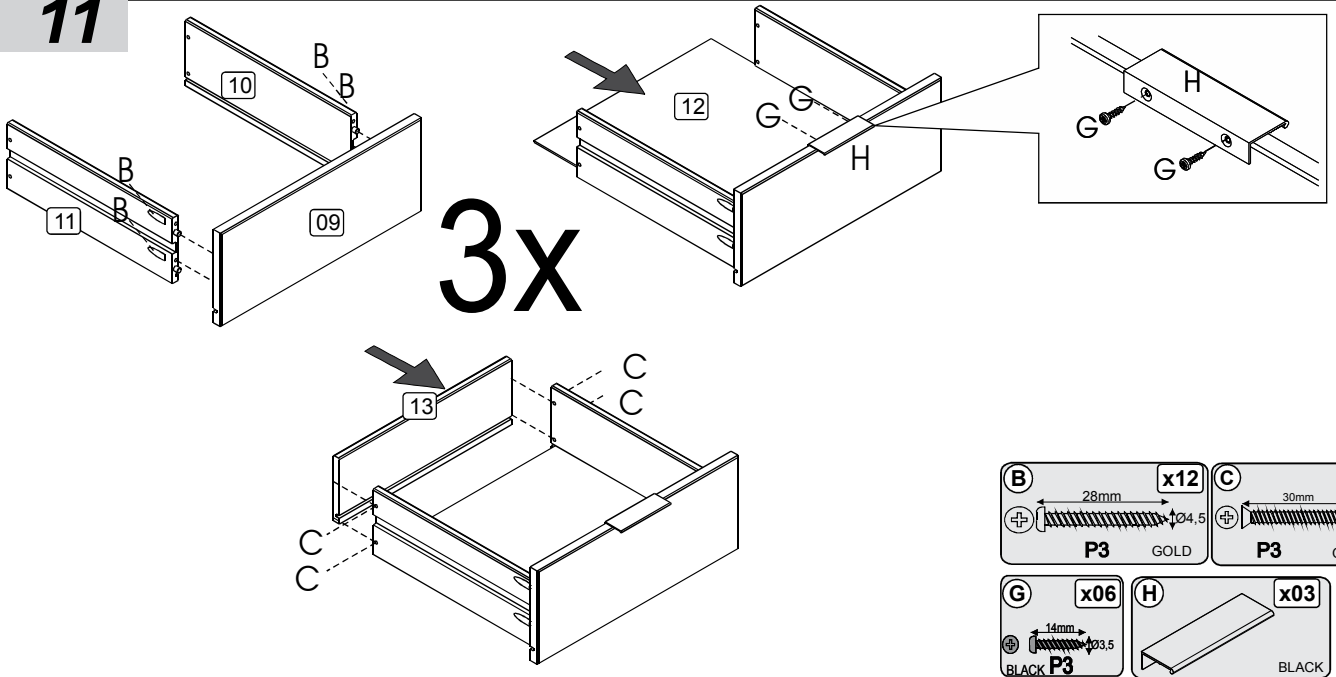
10



- G** x04  
 14mm → Ø3.5  
 BLACK P3
- H** x02  
 BLACK
- K** x04
- N** x08  
 14mm → Ø3.5  
 GOLD P3

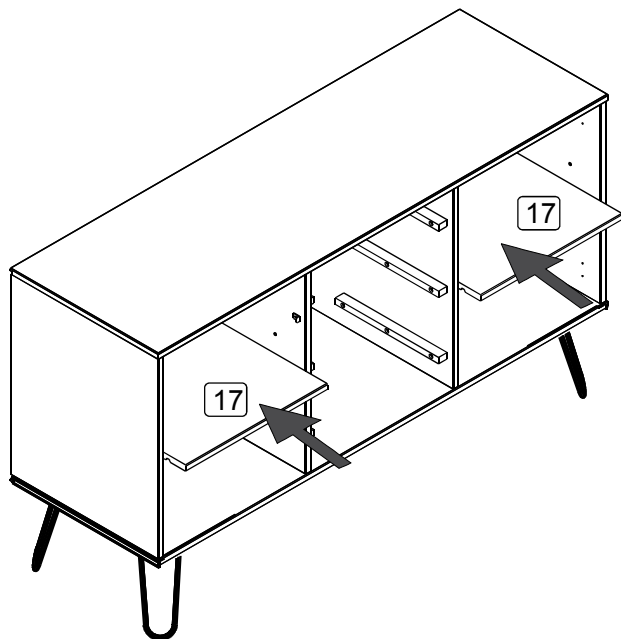


11

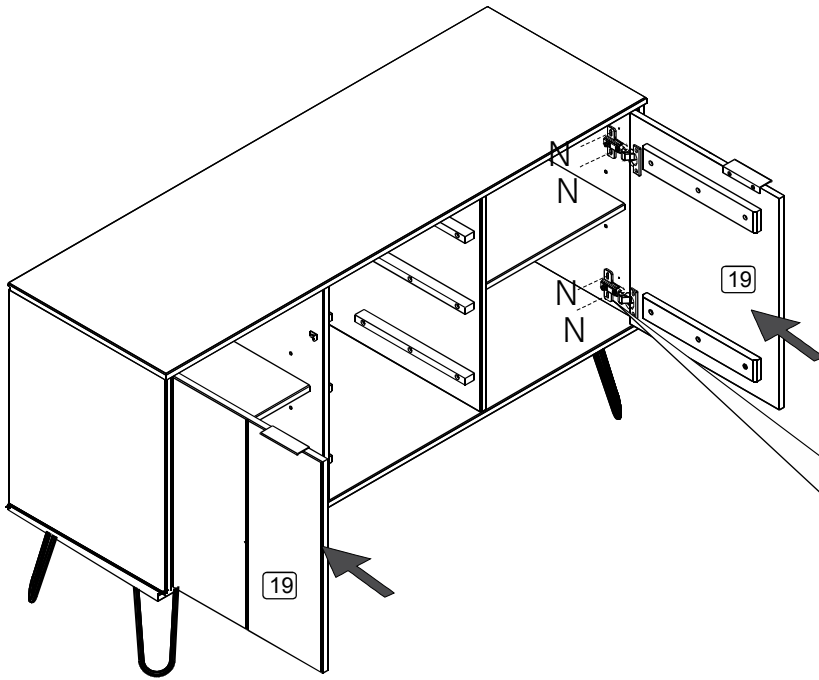


- B** x12  
 28mm → Ø4.5  
 GOLD P3
- C** x12  
 30mm → Ø3.5  
 GOLD P3
- G** x06  
 14mm → Ø3.5  
 BLACK P3
- H** x03  
 BLACK

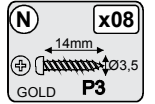
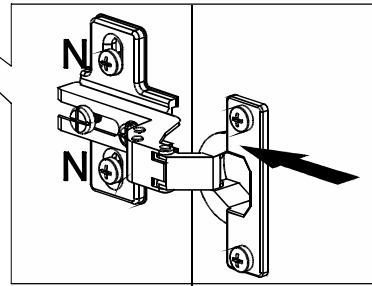
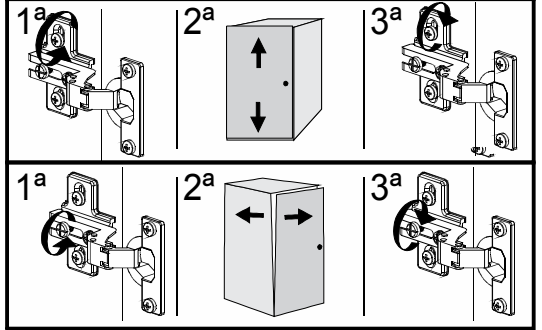
12



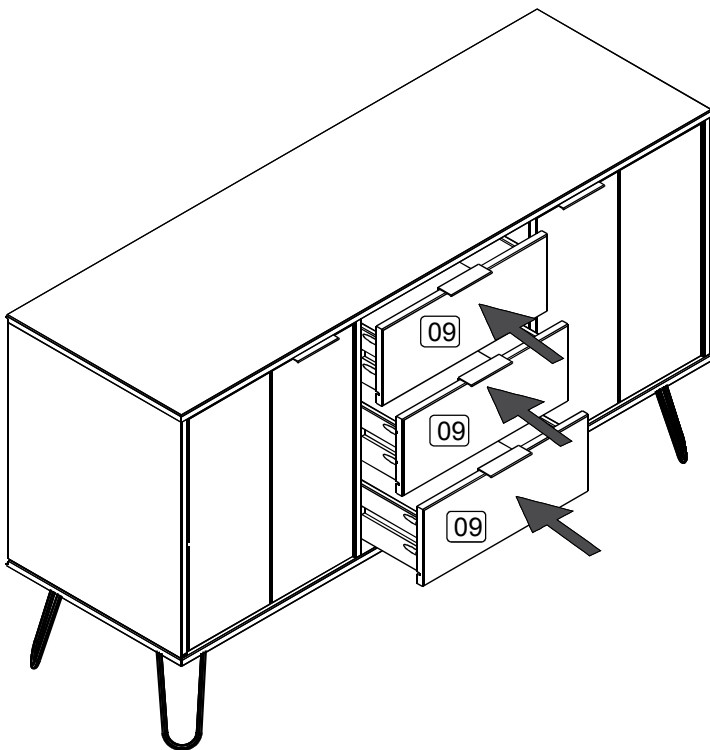
12



### ADJUSTING HINGE

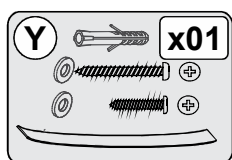
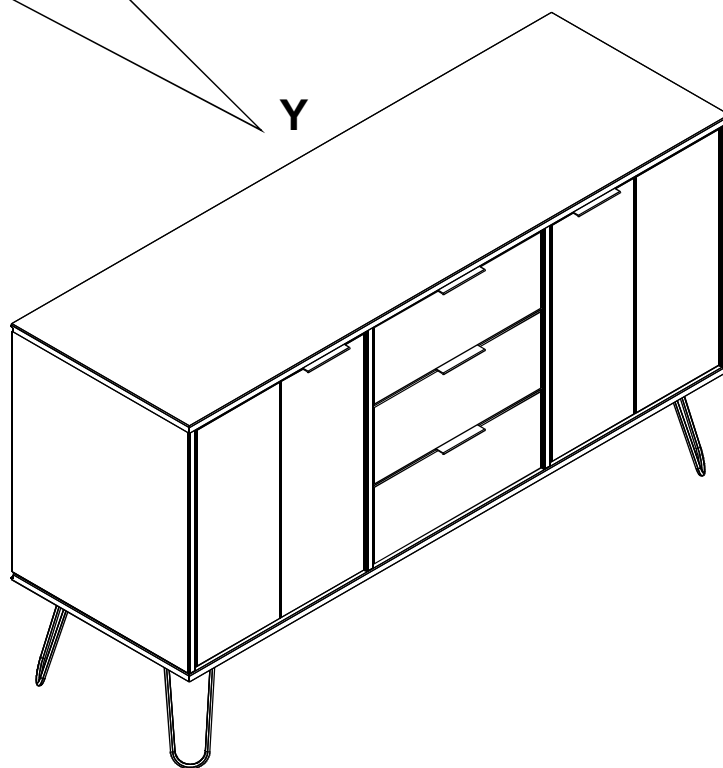
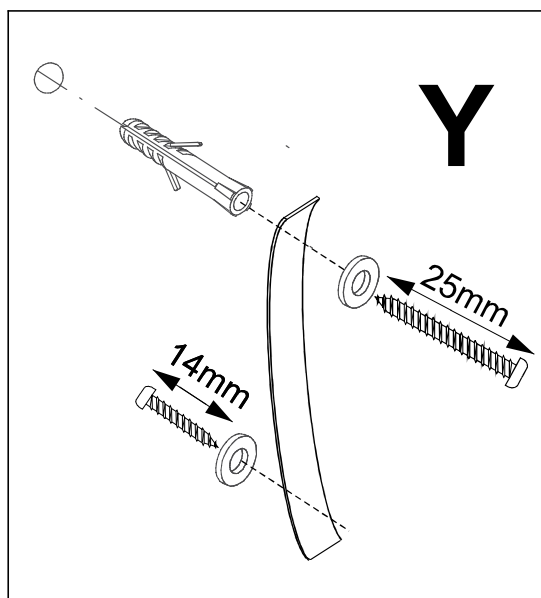


13



### IMPORTANT NOTICE

Please avoid opening all drawers or doors simultaneously as this could cause your furniture to fall forwards. Where there is a risk of this occurring, especially in environments with children or uneven floors we recommend that this item of furniture is attached to your wall using appropriate fixings (supplied).



**WARNING: CHECK FOR HIDDEN PIPES AND CABLES BEFORE DRILLING.**

**IMPORTANT: IF YOUR WALLS ARE NOT SOLID LIKE BRICK OR STONE, YOU WILL REQUIRE SPECIALIST FITTINGS (NOT SUPPLIED).**

- Place fixing strip against the wall and mark position for drilling hole.
- Drill hole in your wall to a depth of 30mm using a 6mm drill bit. If the surface of your wall is soft and crumbly, we would advise you to use a 5mm drill bit for a tighter fit.
- Insert plug into hole with end flush to the wall surface.
- Attach fixing strip to the wall using the 25mm screw + washer and securely tighten.
- Pre-drill small pilot hole on the back edge of the furniture top using a 2mm drill bit. Attach the other end of fixing strip to the back edge of the furniture top using the 14mm screw + washer and securely tighten.