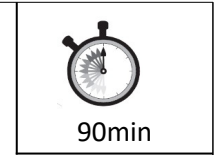
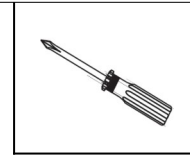
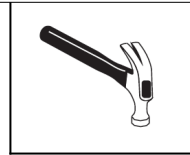


BT722



Thank you for choosing this furniture.

BEFORE YOU START ASSEMBLY please store the carton for 48 hours or more so the contents can acclimatise.
PLEASE RETAIN ALL PACKING UNTIL YOU HAVE COMPLETED ASSEMBLY.

Information about your furniture.

Our furniture ranges have been carefully crafted from solid wood and natural wood veneers. Each piece of furniture has unique characteristics such as knots, variances and graining. These are part of the natural character of the furniture itself.

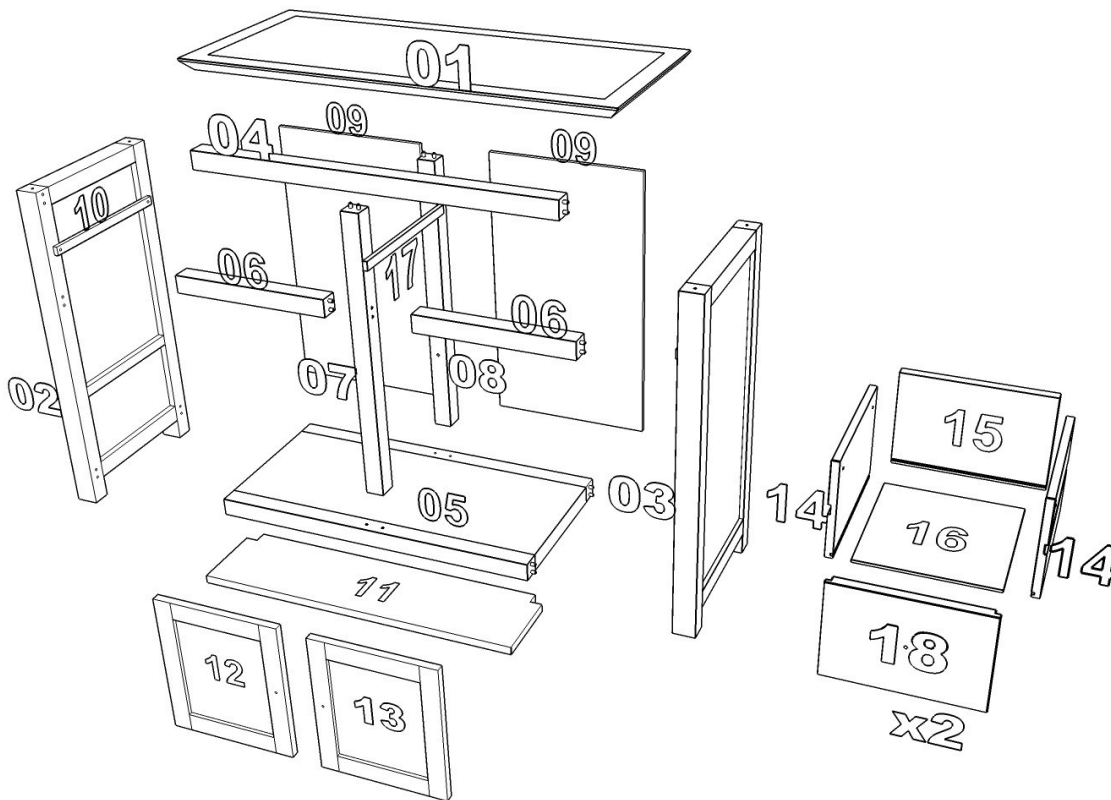
Caring for your furniture.

Extreme temperature can cause slight movements in the wood itself so please avoid placing your furniture close to radiators or other direct sources of heat. Humidity should also be avoided. Please avoid exposing your furniture to continued bright sunlight as it can affect the colour. Any fluid should be removed as quickly as possible. Always lift your furniture when moving, as dragging can cause damage to your furniture or flooring. Extreme changes in temperature & humidity during transit may result in a powder residue forming so silica gel bags have been included to alleviate this natural occurrence. This residue is harmless and can easily be removed before assembly with a damp cloth and mild detergent.

After care.

Wipe the surfaces with a dry cloth and an occasional use of normal household polish. We also recommend you use household spray polish occasionally on the drawer grooves and runners as this will aid use. Please do not use detergents or chemicals on your furniture.

PARTS LIST



**A = x36
Dowel**



**B = x22
40mm Screw**



**C = x22
30mm Screw**



**D = x30
Nail**



**E = x2
Mag. Catch**



**F = x16
15mm screw**



**Q = x4
18mm Bolt**



**P = x2
Handle**



**H = x2
30mm Bolt**



**G = x2
Knob**

BEFORE YOU START ASSEMBLY

Please check that you have all the correct parts and fittings as detailed on the assembly instructions.

FOR DAMAGED/REPLACEMENT PARTS

Please visit www.coreproducts.co.uk/parts

Batch Number:

2022 Specification

PLEASE RETAIN THIS LEAFLET ALONG WITH YOUR DELIVERY NOTE/RECEIPT FOR FUTURE REFERENCE

1

Tip: during assembly
place unit onto a work
surface with a clean cover



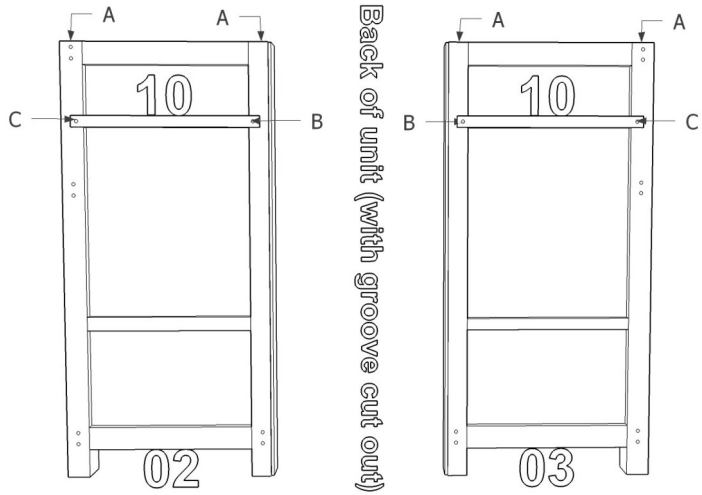
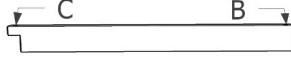
**A = x4
Dowel**



**B = x2
40mm Screw**



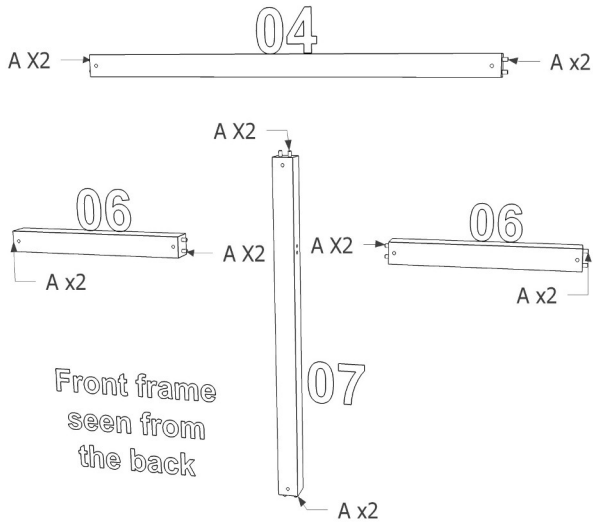
**C = x2
30mm Screw**



Back of unit (with groove cut out)

2

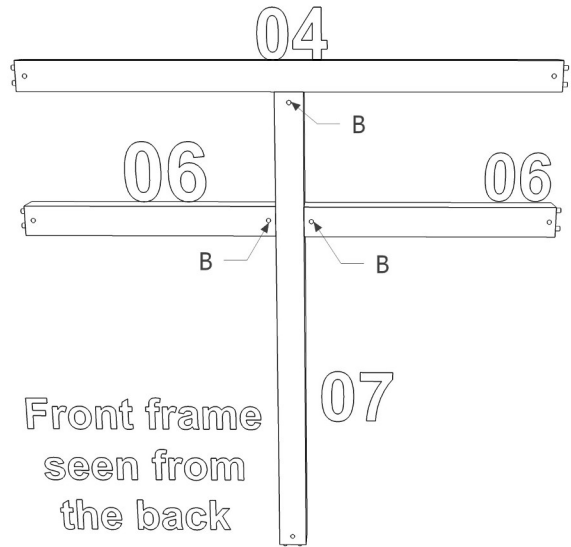
**A = x16
Dowel**



Tip: Bar 4 has two countersunk holes to insert screws and attach it to the top at later stage

3

**B = x3
40mm Screw**



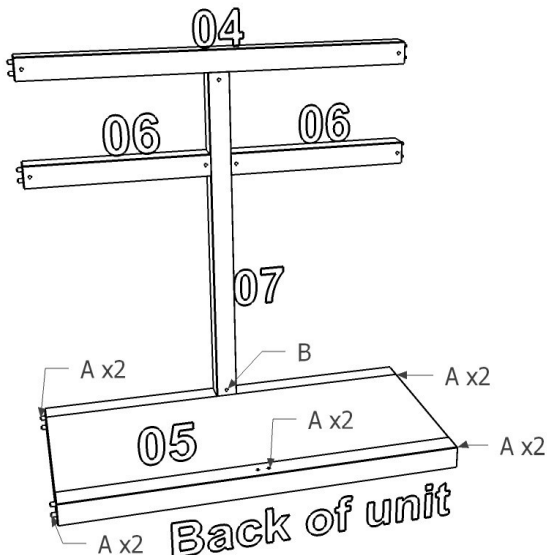
Front frame
seen from
the back

4

**B = x1
40mm Screw**



**A = x10
Dowel**



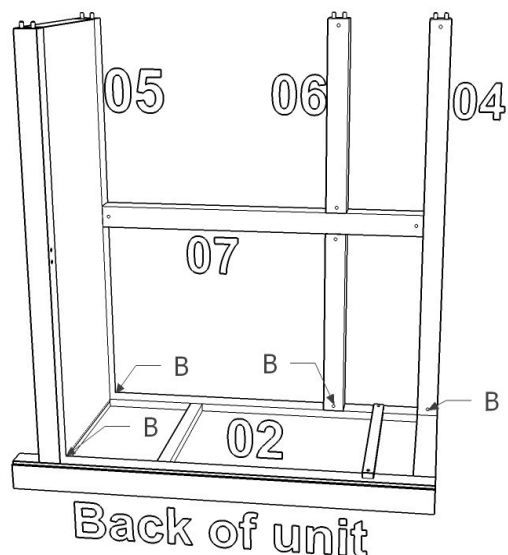
Back of unit

5

Tip: during assembly
place unit onto a work
surface with a clean cover



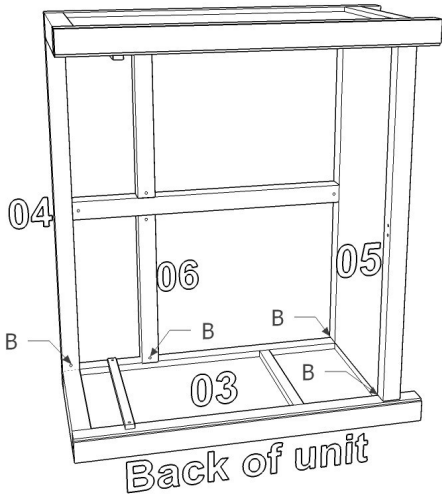
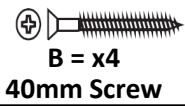
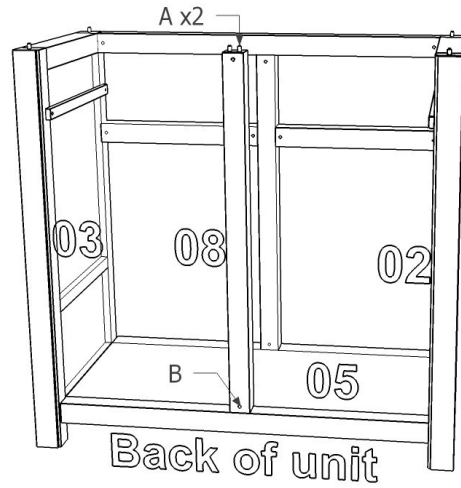
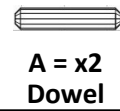
**B = x4
40mm Screw**



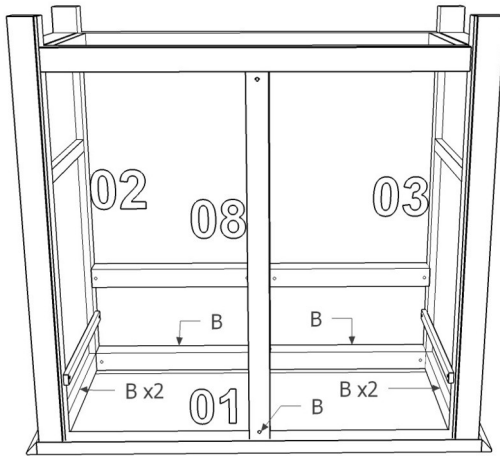
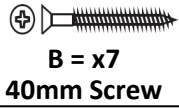
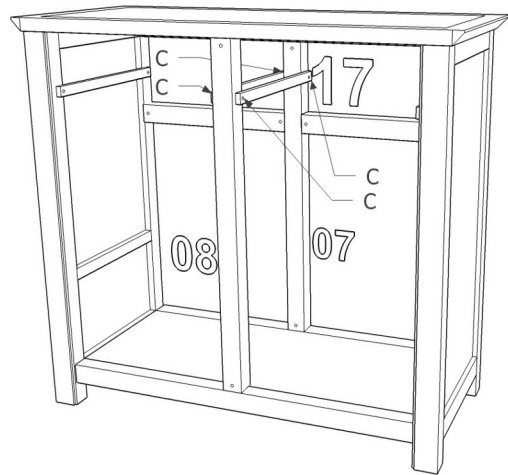
Back of unit

6

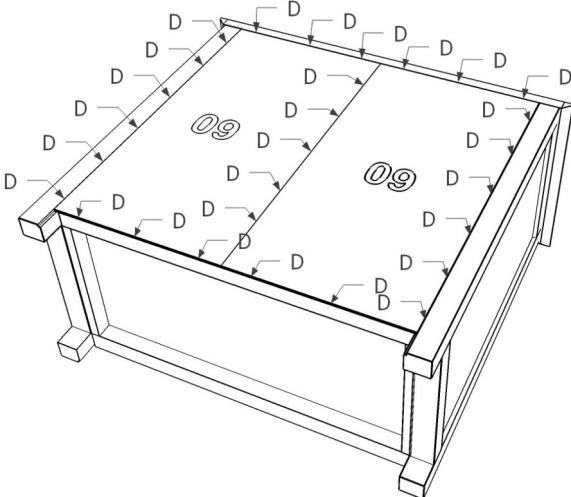
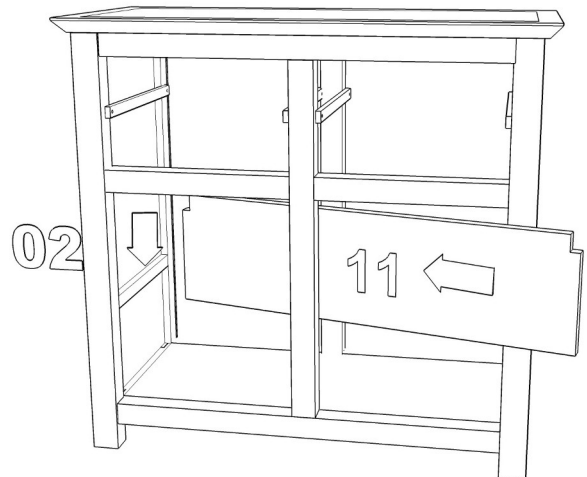
Tip: during assembly
place unit onto a work
surface with a clean cover

**7****8**

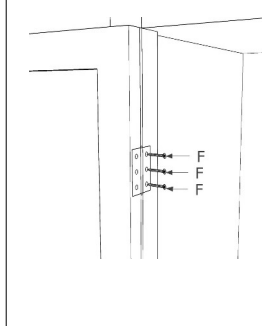
Tip: during assembly
place unit onto a work
surface with a clean cover


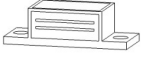


**9****10**

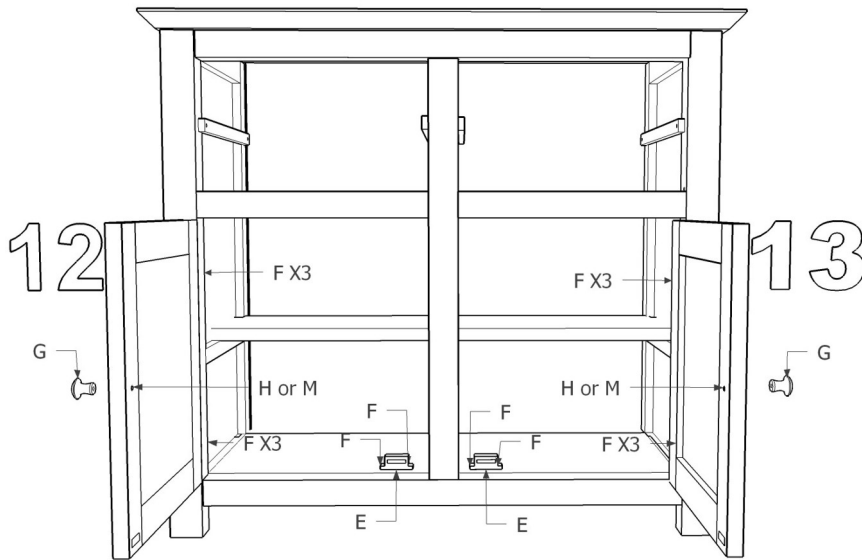
Tip: Place top of unit over
the edge of the work
surface to ensure the top
does not mark during assembly

**11**

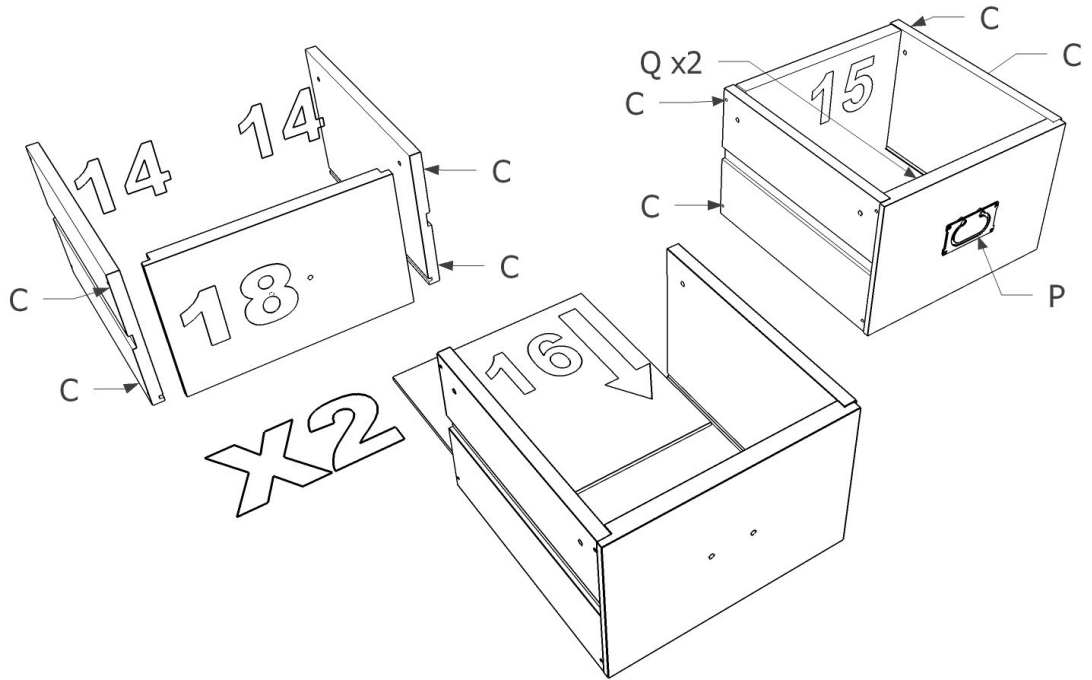
12






-  **F = x16
15mm Screw**
-  **E = x2
Mag. Catch**
-  **H = x2
30mm Bolt**
-  **G = x2
Knob**



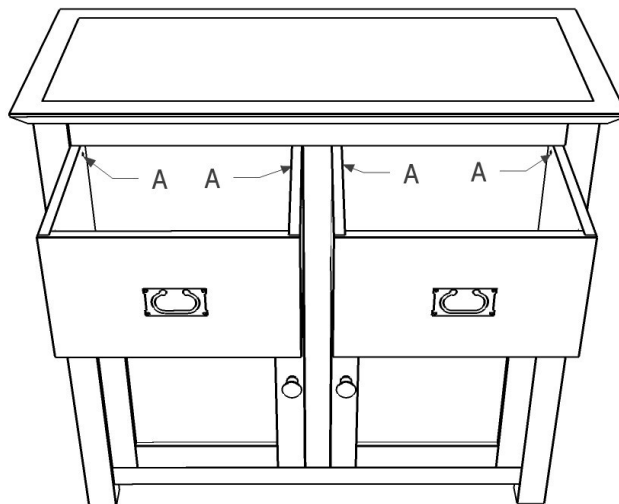
13




-  **Q = x4
18mm Bolt**
-  **P = x2
Handle**
-  **C = x16
30mm Screw**

14

Tip: insert dowels from the inside of the drawers, pushing through so they sit level with the inside of the drawer side.
Repeat for all drawers



-  **A = x4
Dowel**

WARNING! TIPPING HAZARD – Unanchored furniture can tip over

WARNING: CHECK FOR HIDDEN PIPES AND CABLES BEFORE DRILLING.

IMPORTANT: IF YOUR WALLS ARE NOT SOLID LIKE BRICK OR STONE, YOU WILL REQUIRE SPECIALIST FITTINGS (NOT SUPPLIED)

- Place fixing strip against the wall and mark position for drilling hole.
- Drill hole in your wall to a depth of 30mm using a 6mm drill bit. If the surface of your wall is soft and crumbly, we would advise you to use a 5mm drill bit for a tighter fit.
- Insert plug into hole with end flush to the wall surface;
- Attach fixing strip to the wall using the 25mm screw + washer and securely tighten;
- Pre-drill small pilot hole on the back edge of the furniture top using a 2mm drill bit. Attach the other end of the fixing strip to the back edge of the furniture top using the 15mm screw + washer and securely tighten.

15



C = x1
30mm Screw



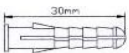
X = x1
15mm Screw



Z = x2
Washer



Y = x1
Wall Tie



W = x1
Wall Plug

WALL

