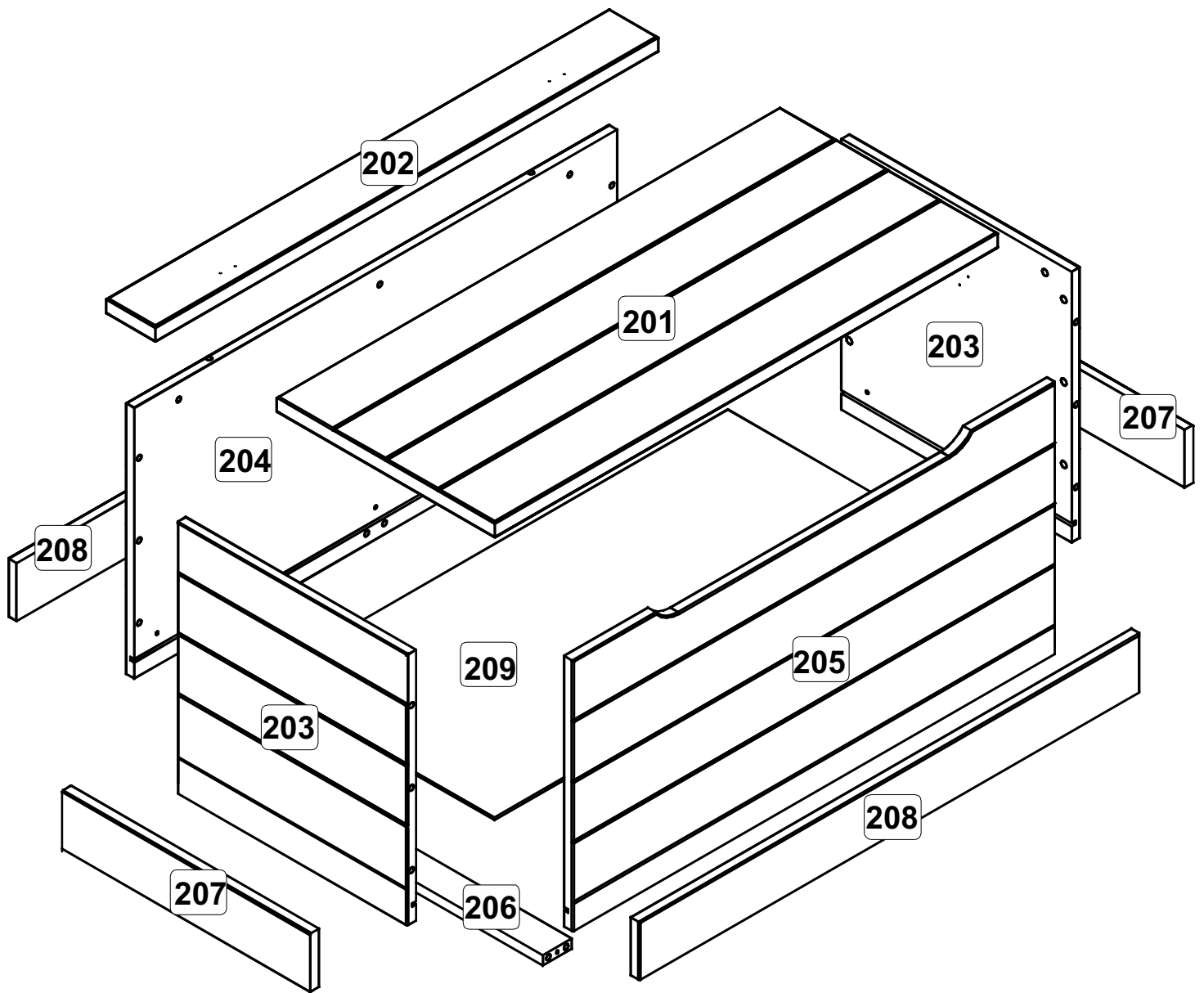
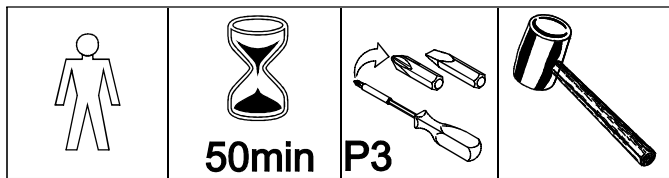


CR540



2021 SPECIFICATION

CR540



Thank you for choosing this furniture.

BEFORE YOU START ASSEMBLY please store the carton at room temperature for 48 hours or more so the contents can acclimatise.

PLEASE RETAIN ALL PACKING UNTIL YOU HAVE COMPLETED ASSEMBLY.

Information about your Pine furniture.

Our pine furniture ranges have been carefully crafted from solid wood and wood fibre based composite boards. Each piece of pine has unique characteristics such as knots, variances in shading and graining. These are part of the natural character of the furniture itself.

Caring for your Pine furniture.

Extreme temperature can cause slight movements in the wood itself so please avoid placing your furniture close to radiators or other direct sources of heat. Humidity should also be avoided.

Please avoid exposing your furniture to continued bright sunlight as it can affect the colour.

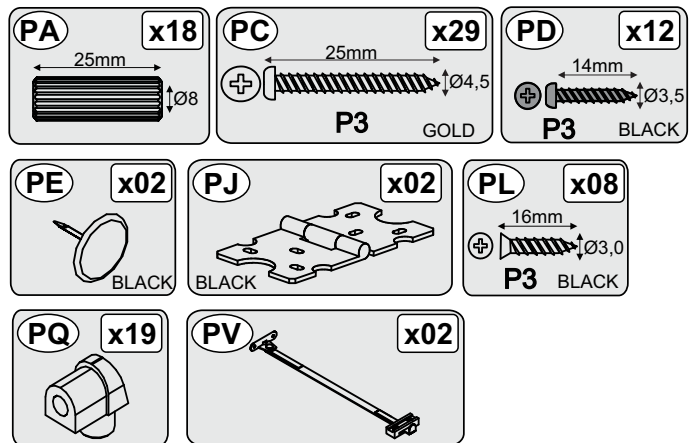
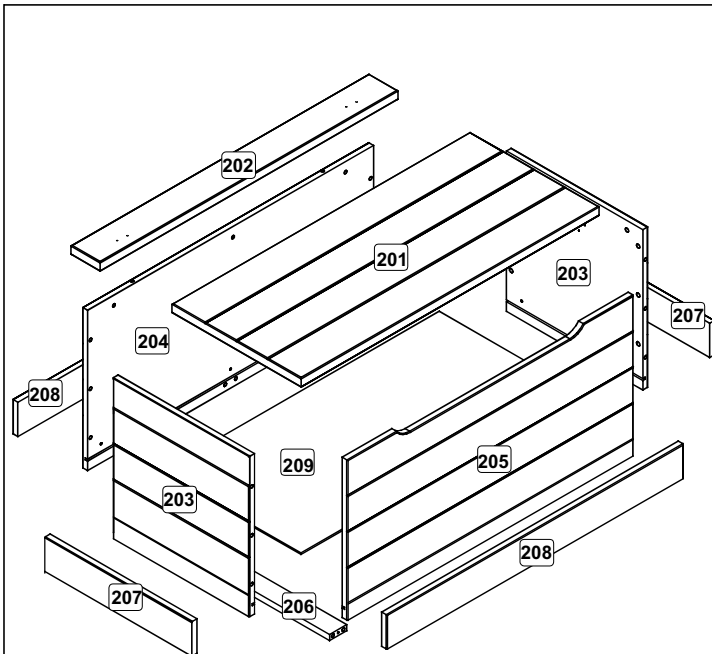
Any fluid spills should be removed as quickly as possible.

Always lift your furniture when moving as dragging may cause damage to your furniture or flooring.

After care.

Wipe the surfaces with a dry cloth and occasionally apply household furniture polish. For the models with drawers, we also recommend you use household spray polish occasionally on drawer grooves and runners as this will aid use. Please do not use detergents or chemicals on your furniture.

PARTS LIST



A MEMBER OF
ACID
ANTI COPYING IN DESIGN

BEFORE YOU START ASSEMBLY

Please check that you have all the correct parts and fittings as detailed on the assembly instructions.

FOR DAMAGED/REPLACEMENT PARTS

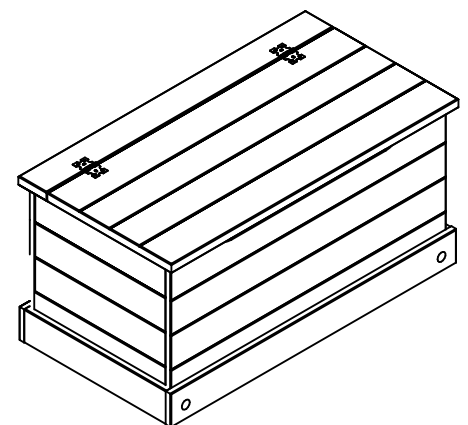
Please visit

www.coreproducts.co.uk/parts

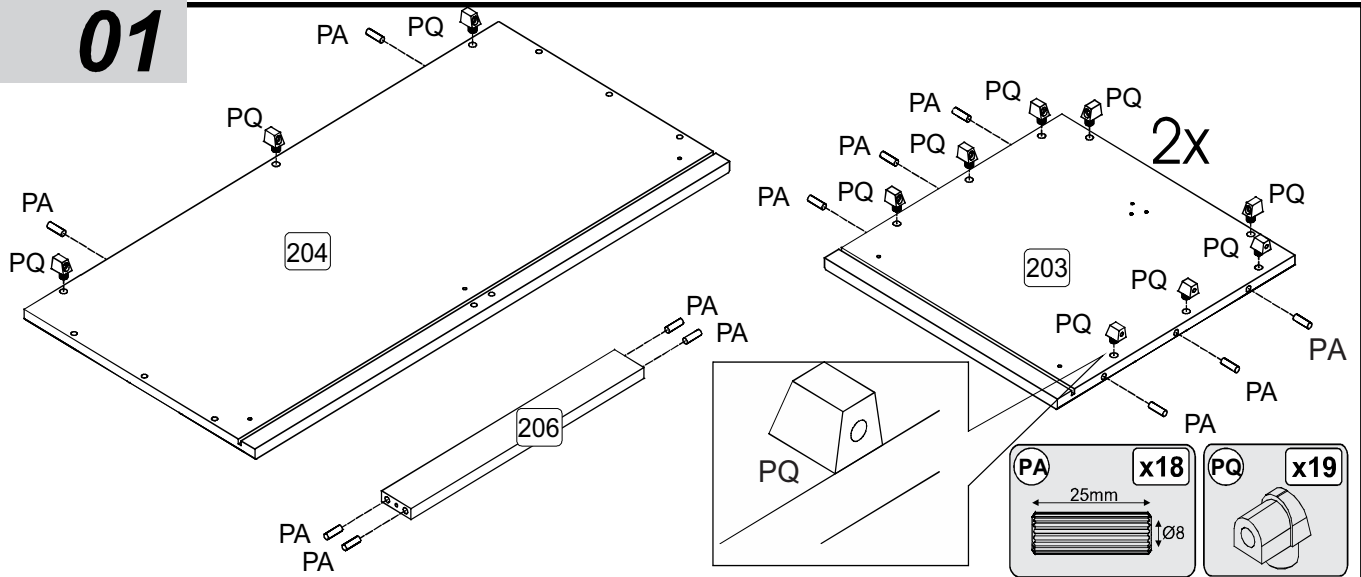
2021 SPECIFICATION

BATCH
NUMBER **2020/0272**

**PLEASE RETAIN THIS LEAFLET ALONG WITH YOUR DELIVERY
NOTE/ RECEIPT FOR FUTURE REFERENCE**

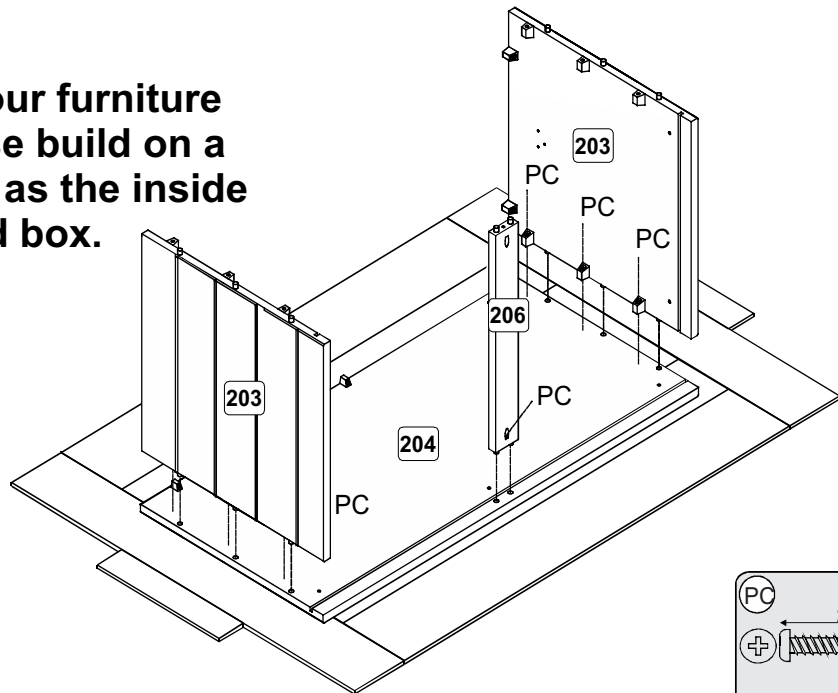


01



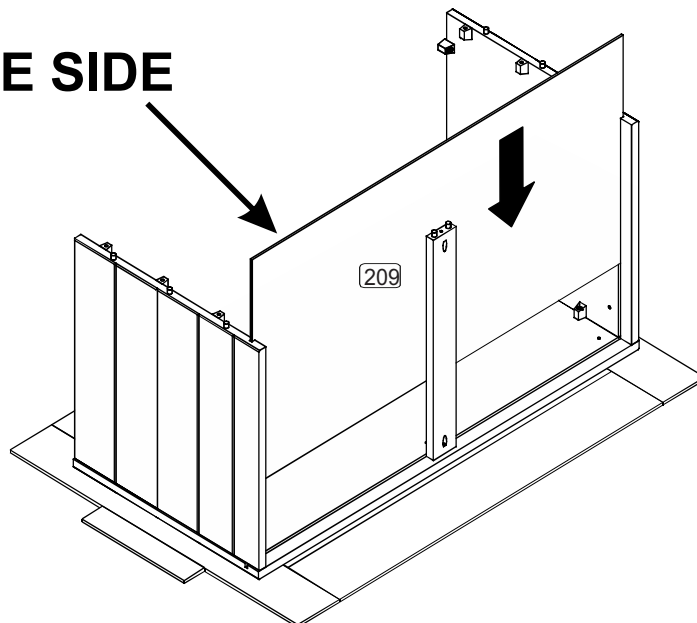
02

To avoid damage to your furniture during assembly please build on a soft clean surface such as the inside of the cardboard box.

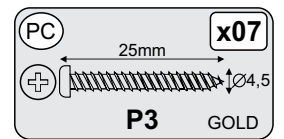
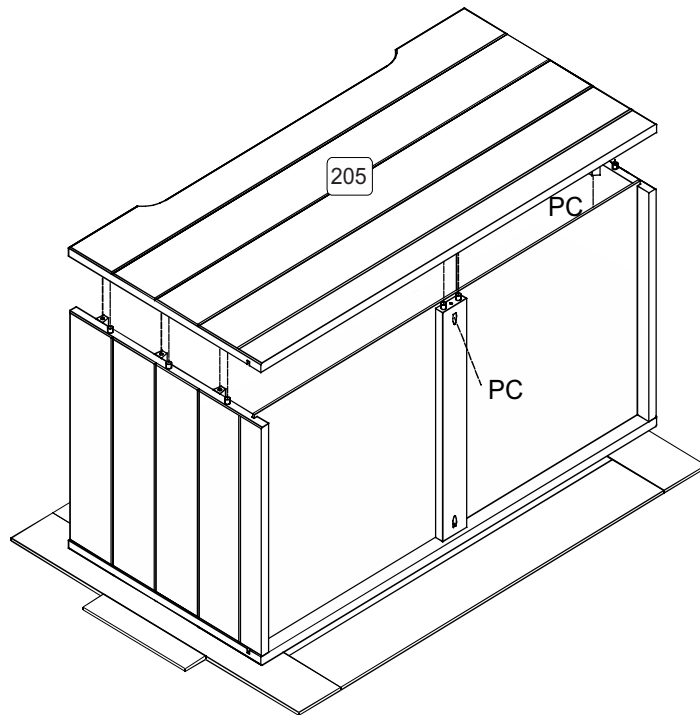


03

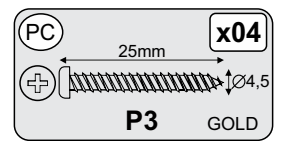
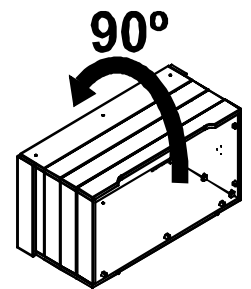
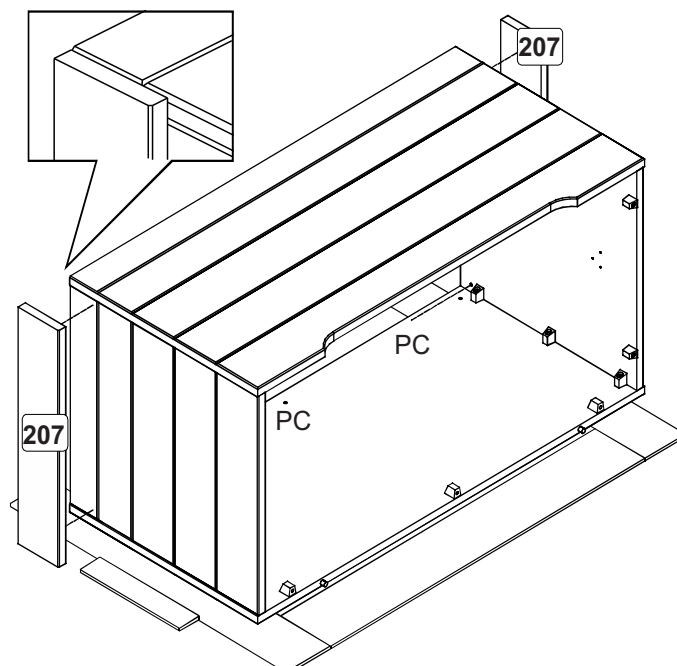
WHITE SIDE



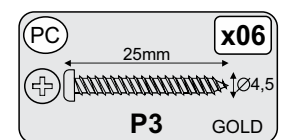
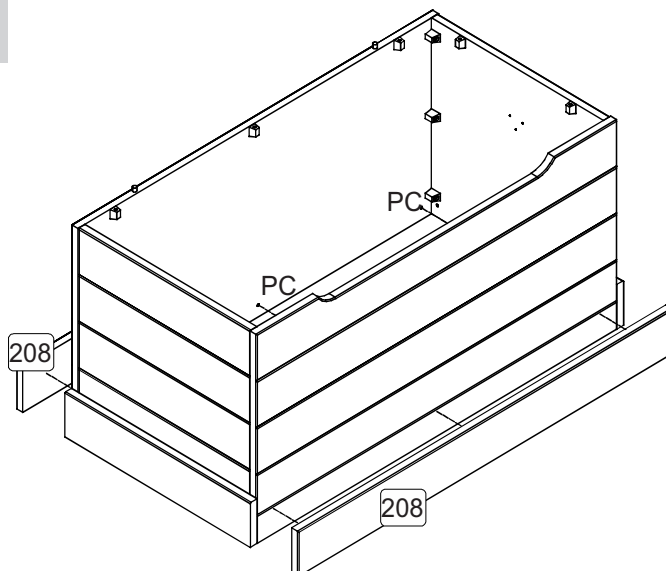
04



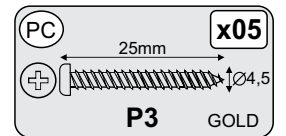
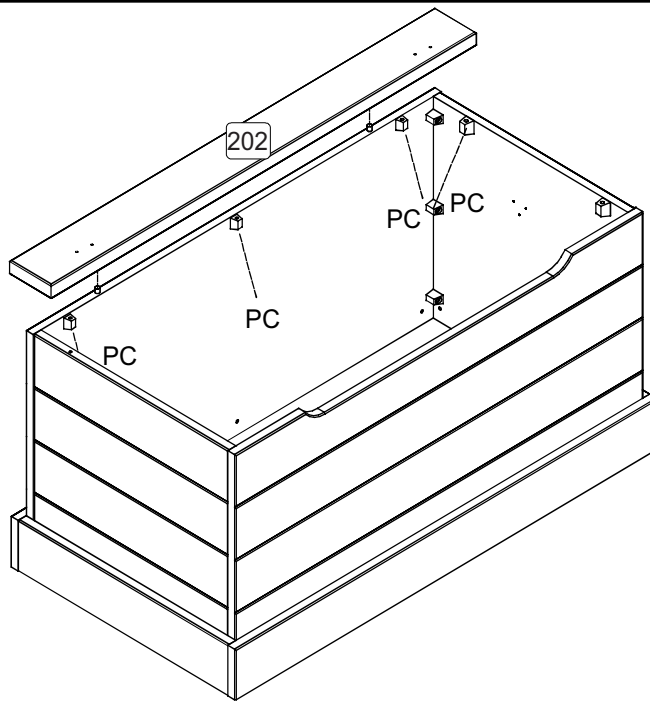
05



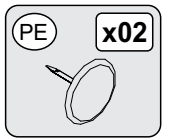
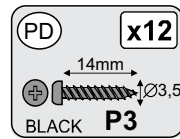
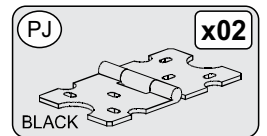
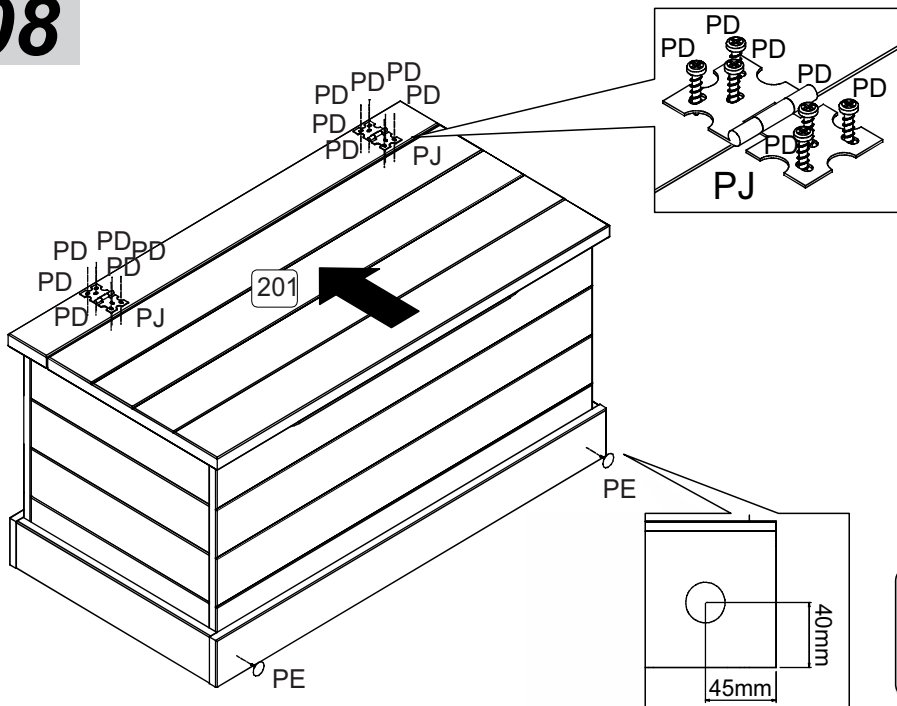
06



07



08



09

