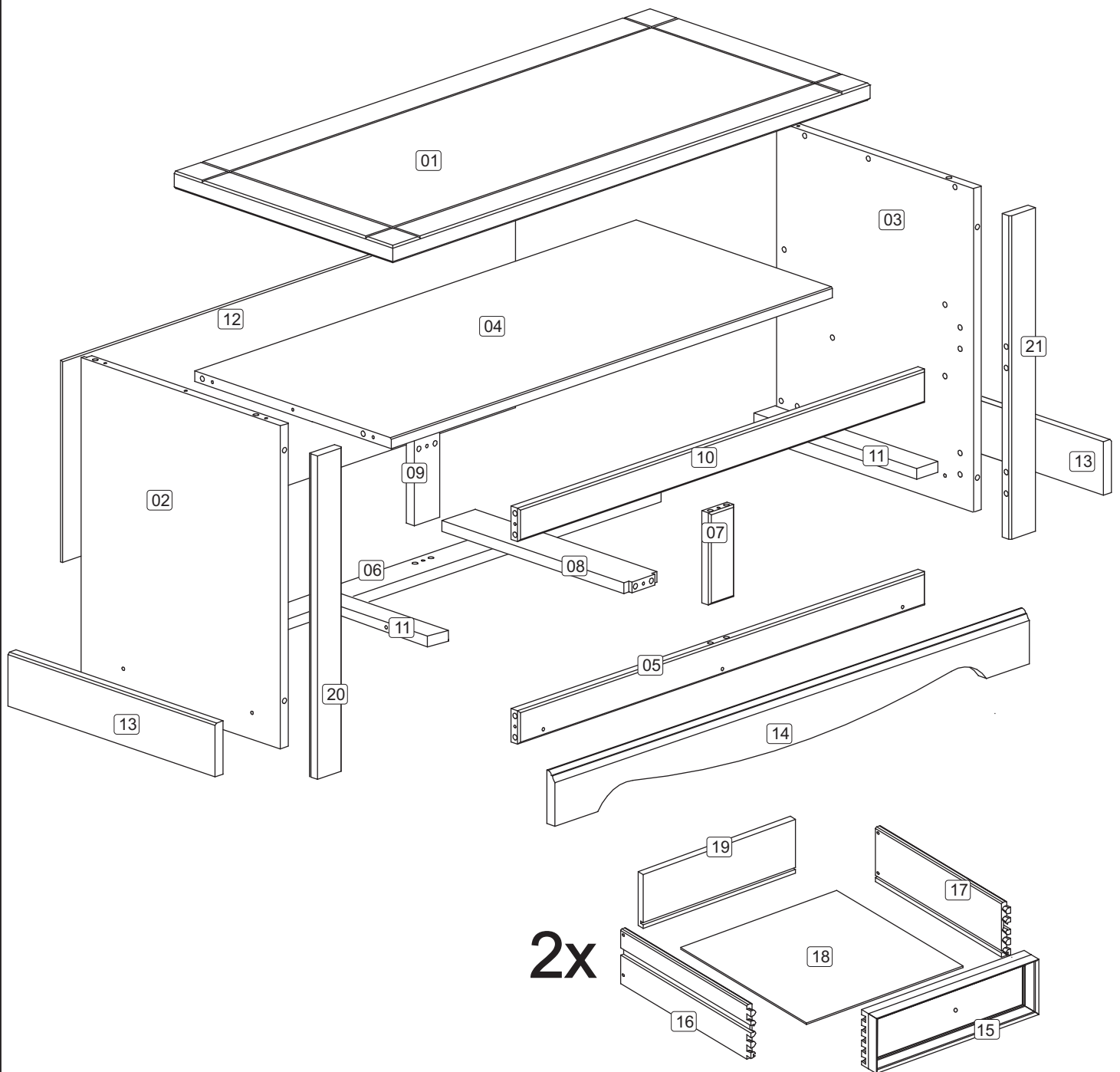
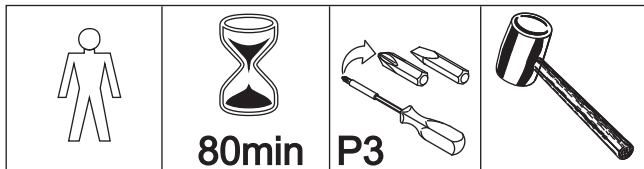


# CRG910



2021 SPECIFICATION

# CRG910



Thank you for choosing this furniture.

**BEFORE YOU START ASSEMBLY** please store the carton at room temperature for 48 hours or more so the contents can acclimatise.

**PLEASE RETAIN ALL PACKING UNTIL YOU HAVE COMPLETED ASSEMBLY.**

## Information about your Pine furniture.

Our pine furniture ranges have been carefully crafted from solid wood and wood fibre based composite boards. Each piece of pine has unique characteristics such as knots, variances in shading and graining. These are part of the natural character of the furniture itself.

## Caring for your Pine furniture.

Extreme temperature can cause slight movements in the wood itself so please avoid placing your furniture close to radiators or other direct sources of heat. Humidity should also be avoided.

Please avoid exposing your furniture to continued bright sunlight as it can affect the colour.

Any fluid spills should be removed as quickly as possible.

Always lift your furniture when moving as dragging may cause damage to your furniture or flooring.

## After care.

Wipe the surfaces with a dry cloth and an occasional use of a normal household furniture polish. For the models with drawers, we also recommend you use household spray polish occasionally on drawer grooves and runners as this will aid use. Please do not use detergents or chemicals on your furniture.

## PARTS LIST

|                             |   |   |
|-----------------------------|---|---|
| <b>A</b> x40<br>25mm<br>Ø8  | <b>B</b> x37<br>28mm<br>Ø4.5<br>P3 GOLD   | <b>C</b> x08<br>30mm<br>Ø3.5<br>P3 GOLD |
| <b>D</b> x01<br>glue 10g    | <b>Warning!</b> : Keep out of reach from children, Keep away from eyes, if product gets into eye rinse thoroughly and repeatedly with water. Do not ingest, if swallowed seek medical advise from doctor.   | <b>E</b> x02<br>GREY                    |
| <b>G</b> x02<br>3/16 x 3/8  | <b>H</b> x06<br>25mm<br>Ø3.5<br>P3 SILVER   | <b>F</b> x08<br>GREY                    |
| <b>X</b> x01<br>RED = PAINT | <b>Warning!</b> : The RED sachet contains touch up paint for your furniture. Please retain for use should you require it at any point in the future. Application is best with a small paint brush which can be cleaned in water after use.<br>Keep out of reach from children, keep away from eyes, if product gets into eye rinse thoroughly and repeatedly with water. Do not ingest, if swallowed seek medical advise from doctor. | <b>J</b> x12                            |
|                             |   | <b>Z</b> x22<br>8x8                     |

## BEFORE YOU START ASSEMBLY

Please check that you have all the correct parts and fittings as detailed on the assembly instructions.

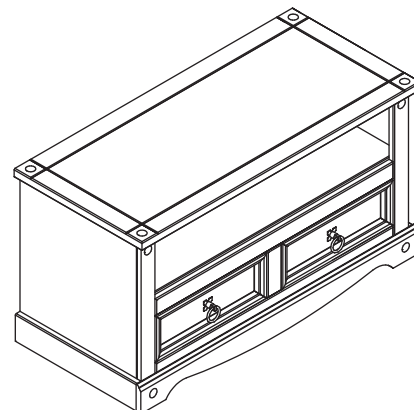
## FOR DAMAGED/REPLACEMENT PARTS

Please visit

[www.coreproducts.co.uk/parts](http://www.coreproducts.co.uk/parts)

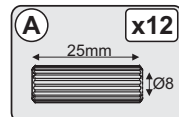
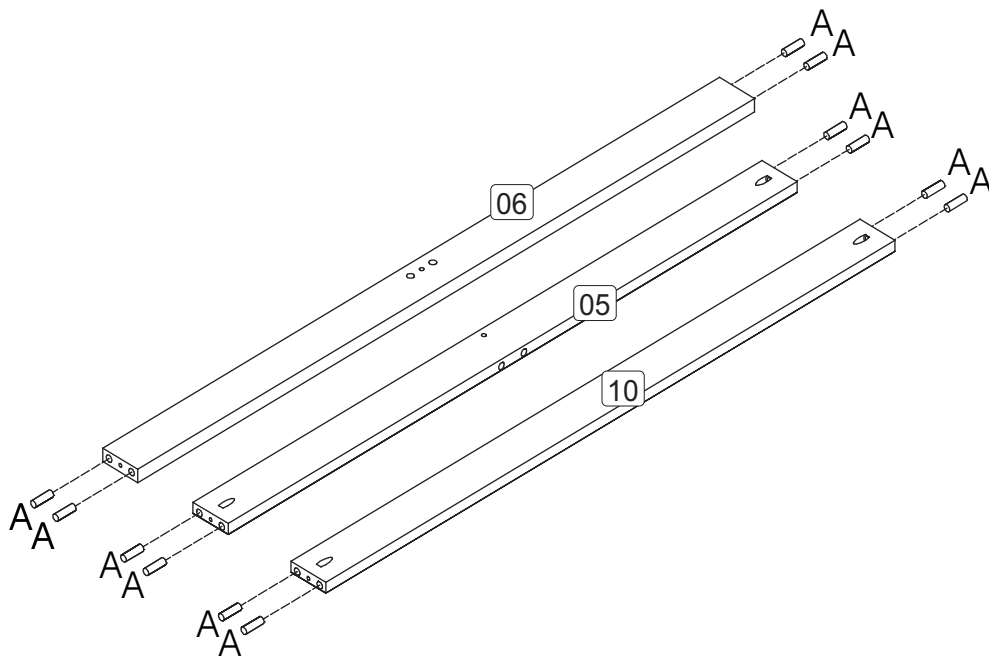
## 2021 SPECIFICATION

Batch Number 2020-0000

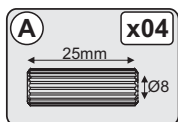
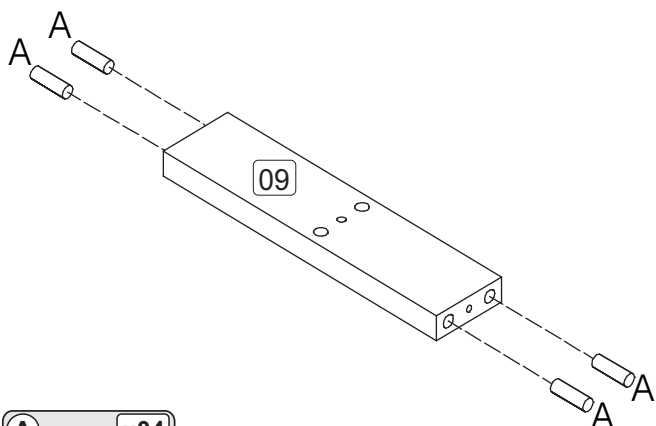


**PLEASE RETAIN THIS LEAFLET ALONG WITH YOUR DELIVERY NOTE/RECEIPT FOR FUTURE REFERENCE**

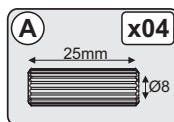
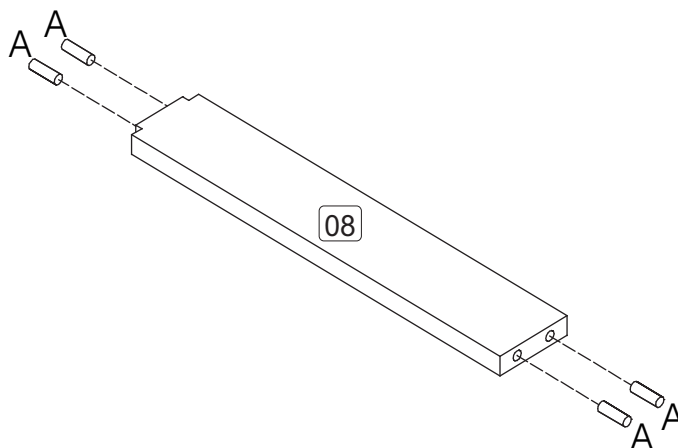
01



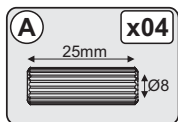
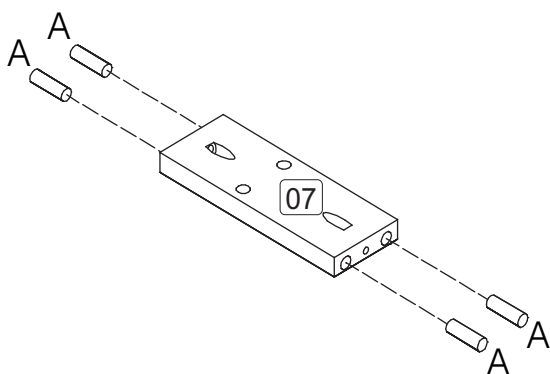
02



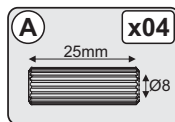
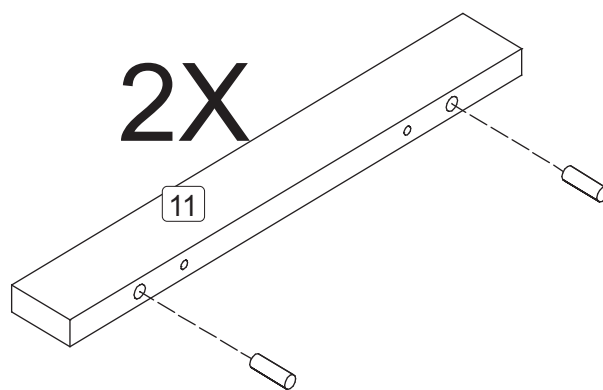
03



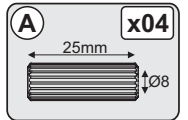
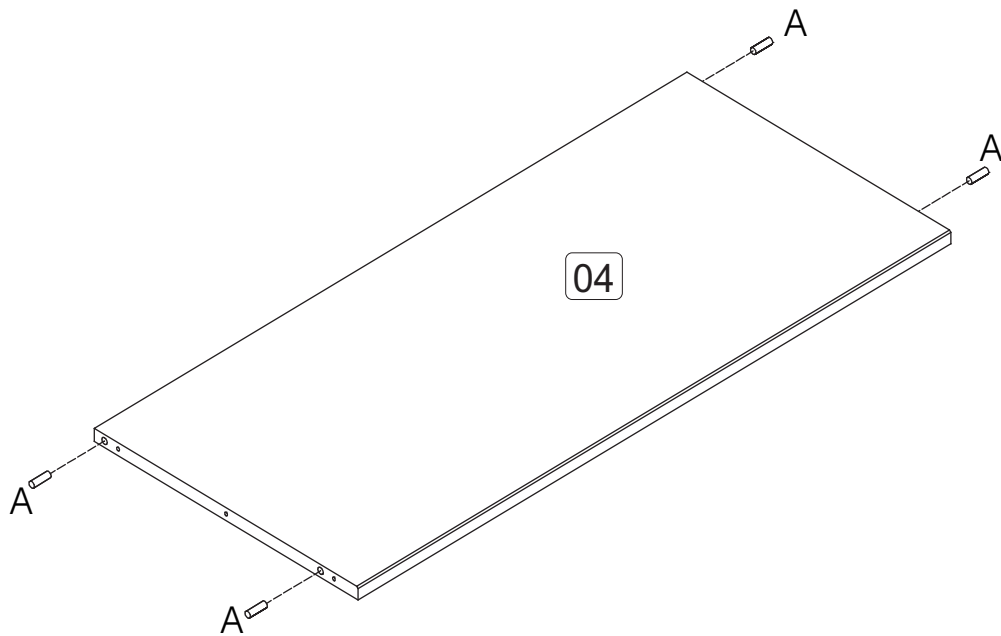
04



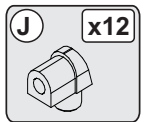
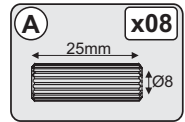
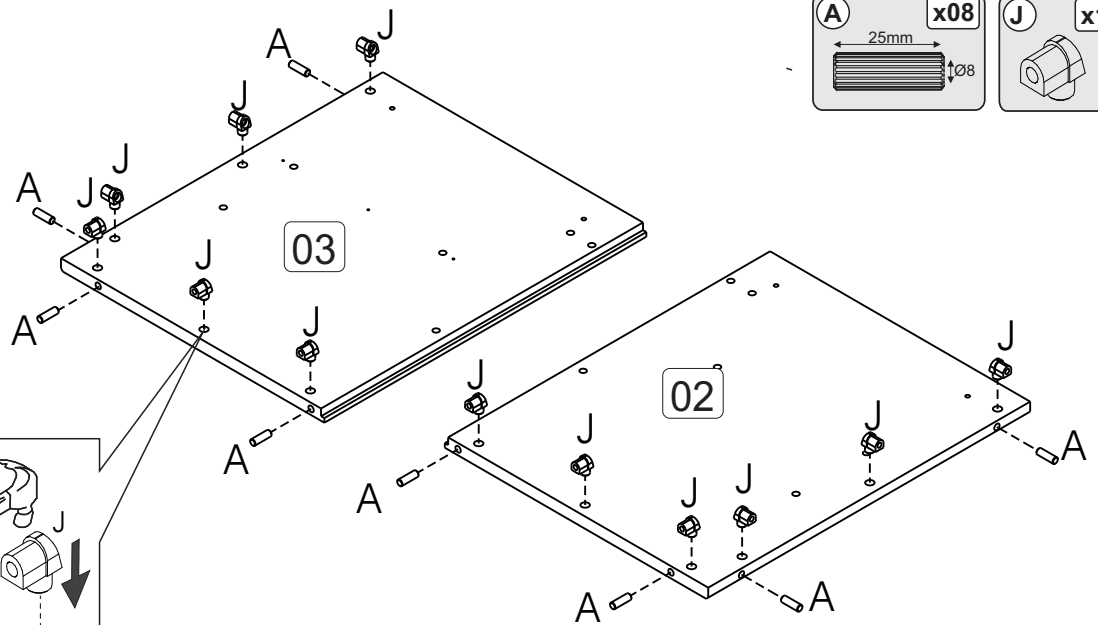
05



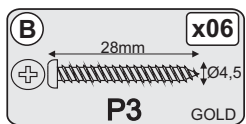
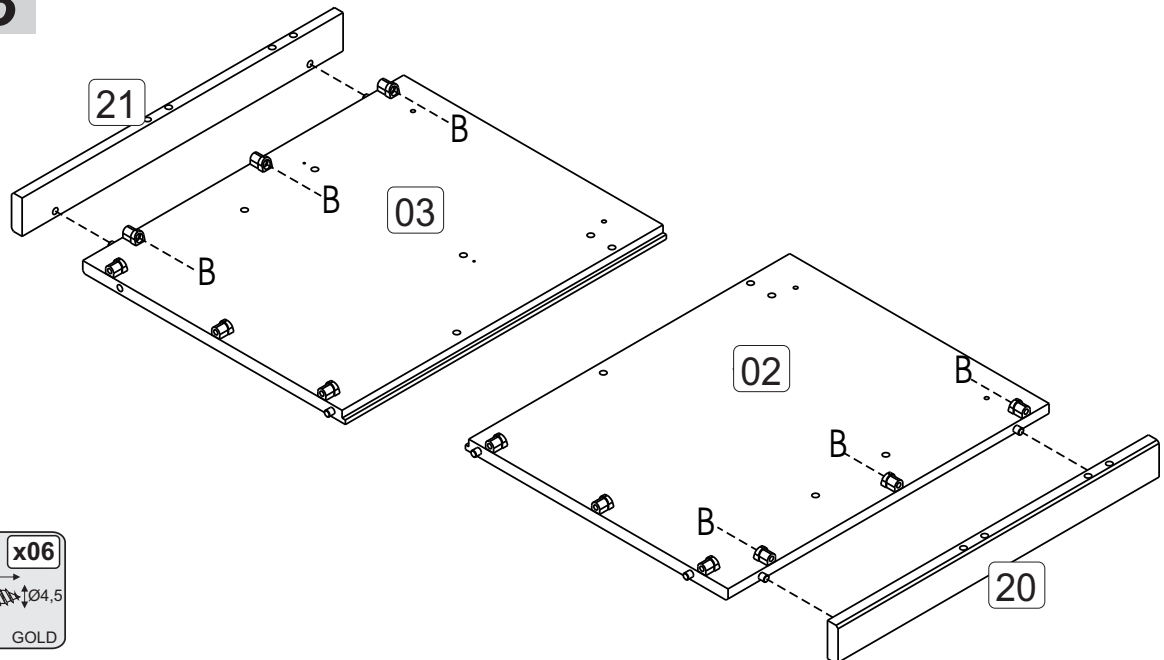
06



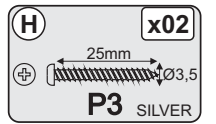
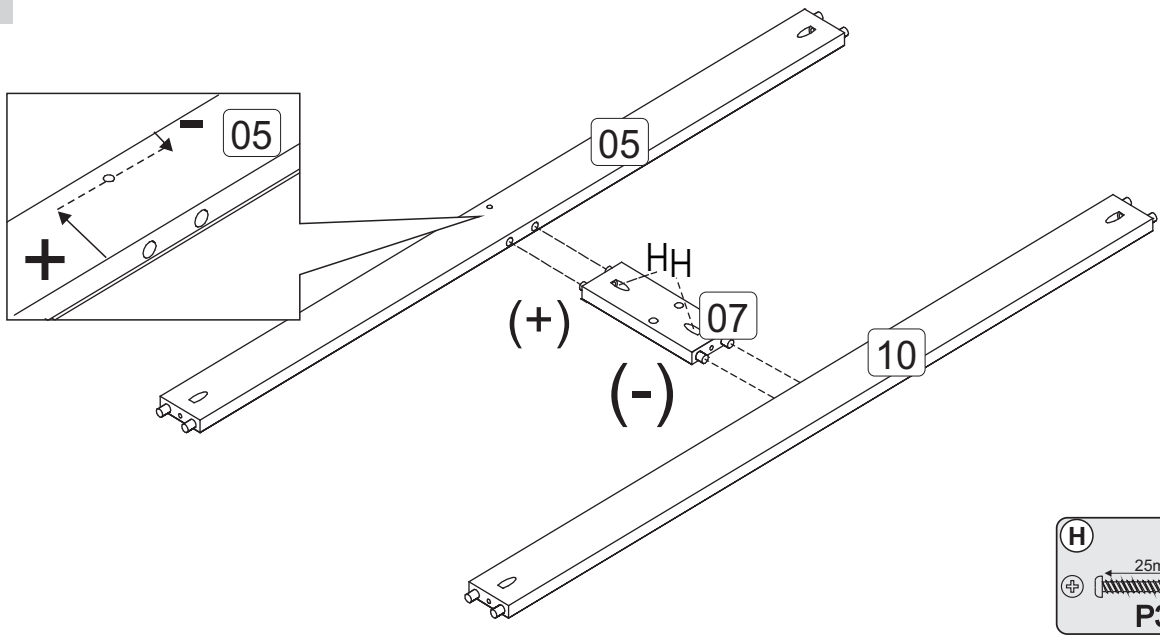
07



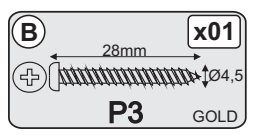
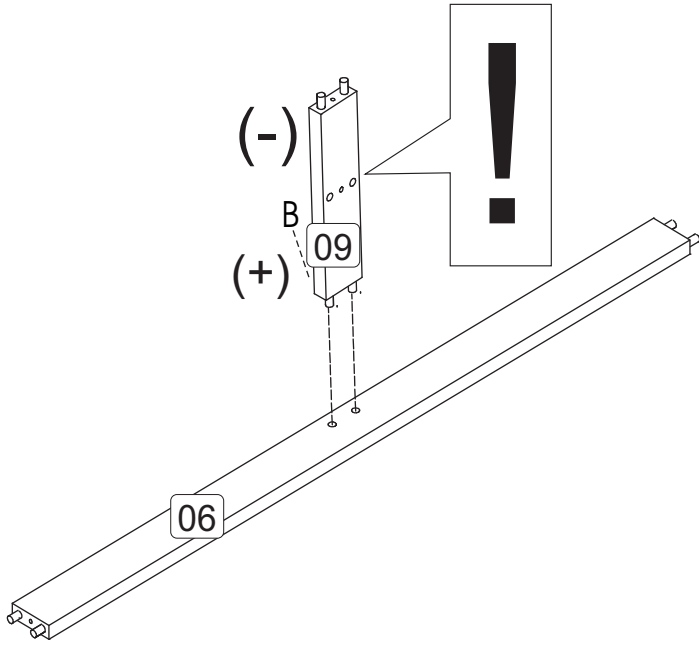
08



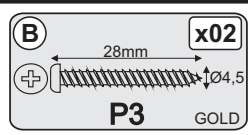
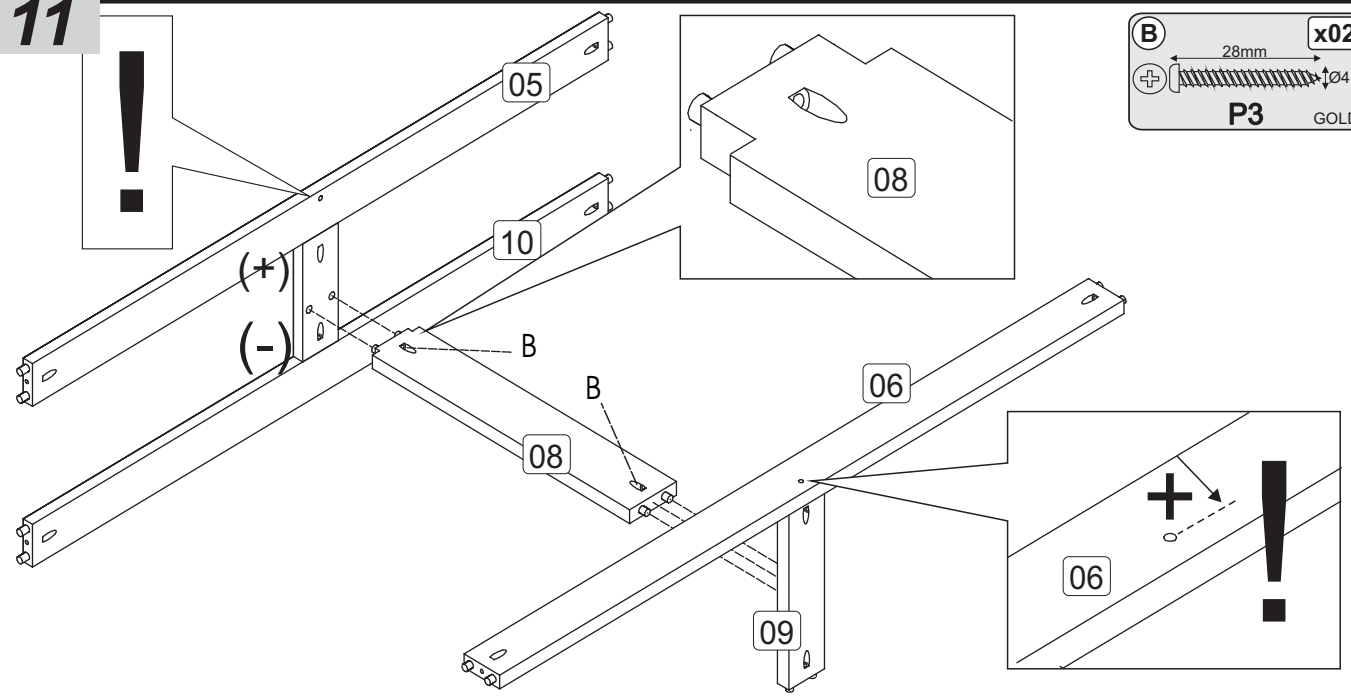
09



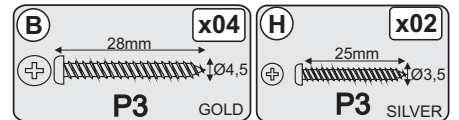
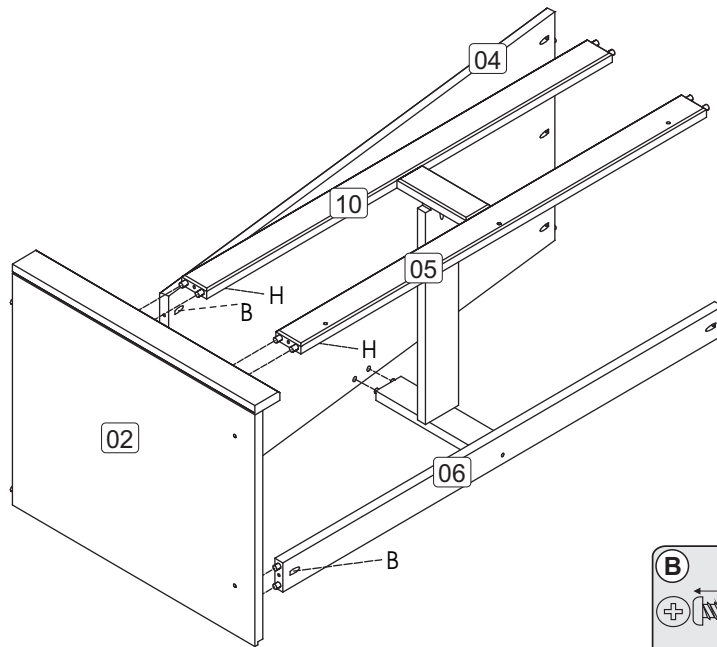
10



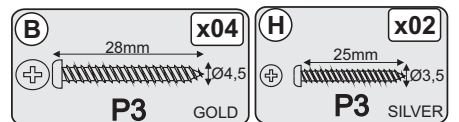
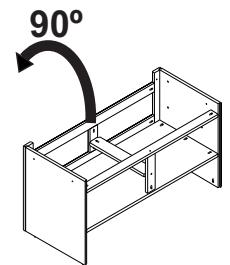
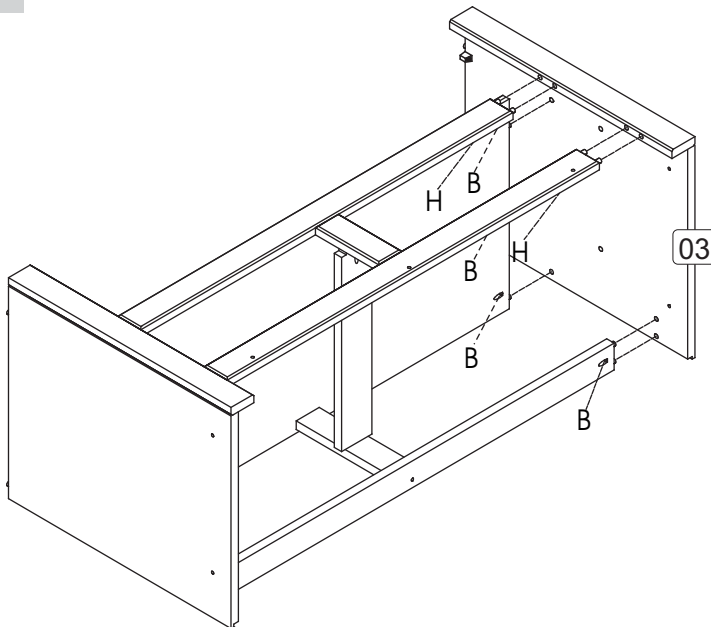
11



# 12

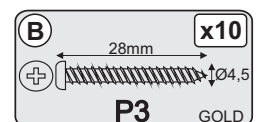
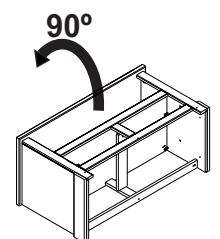
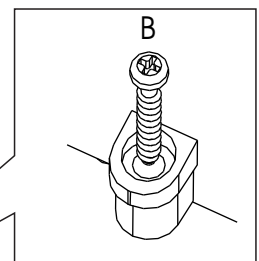
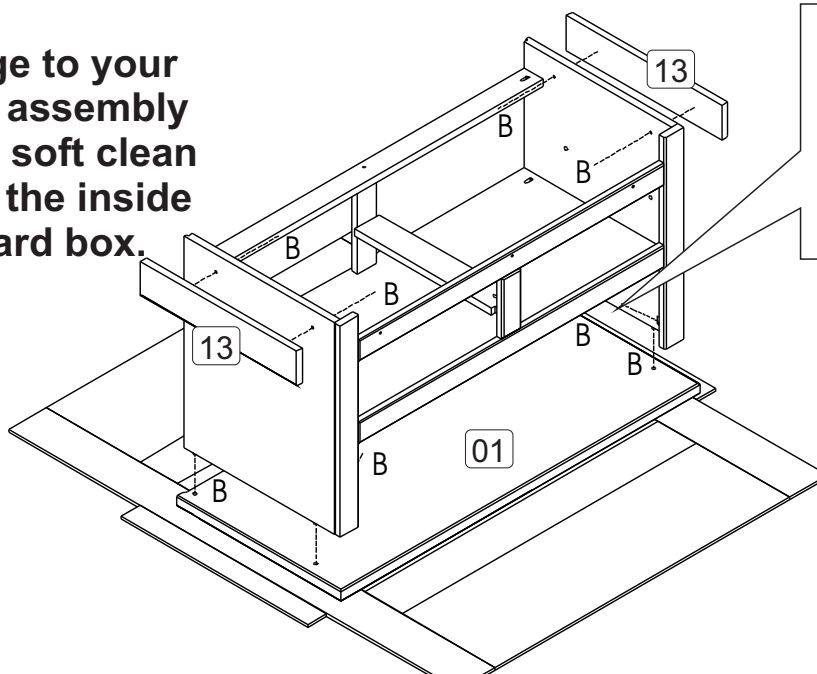


# 13

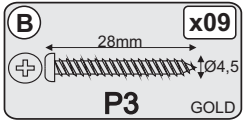
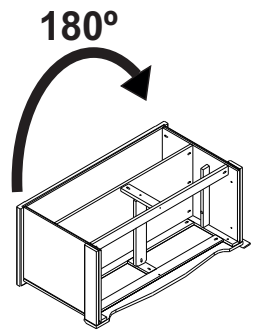
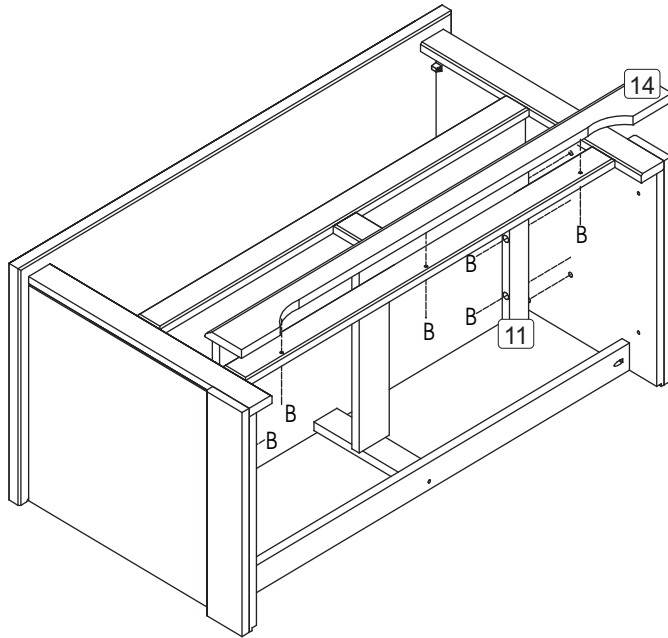


# 14

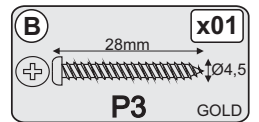
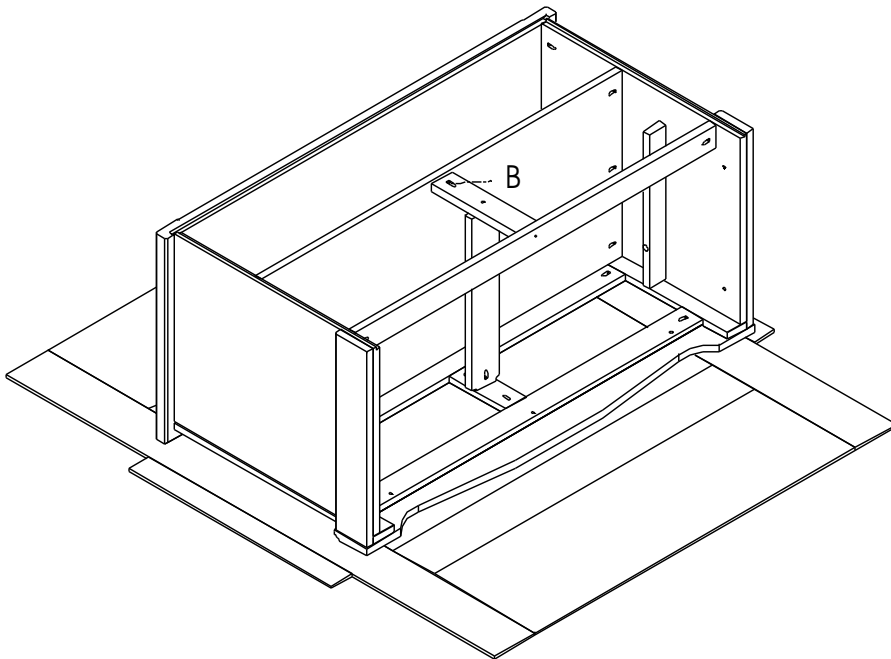
To avoid damage to your furniture during assembly please build on a soft clean surface such as the inside of the cardboard box.



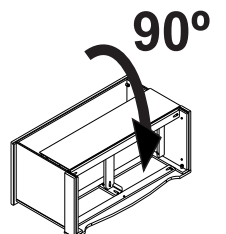
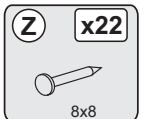
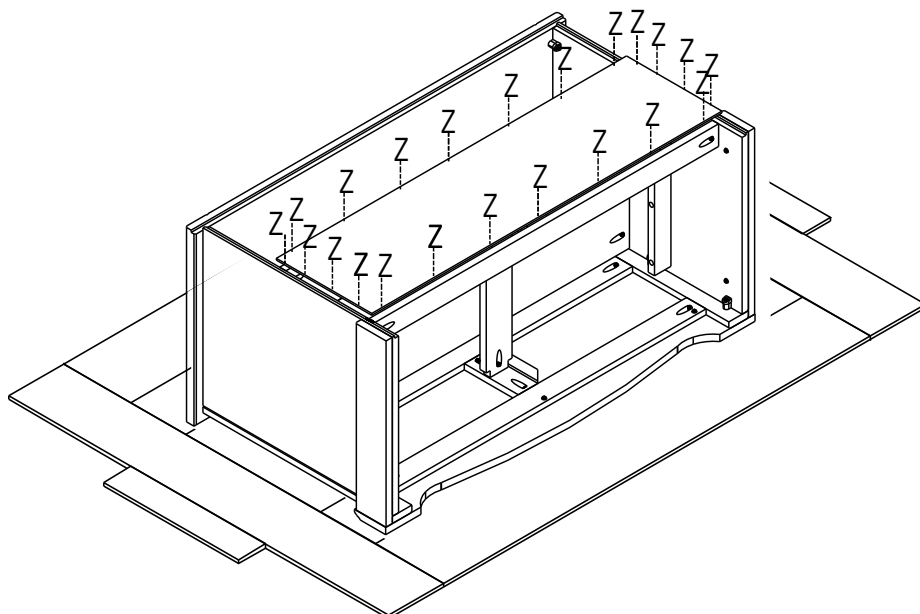
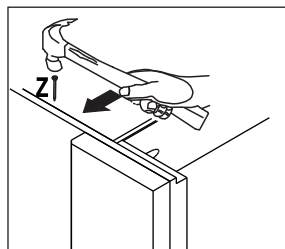
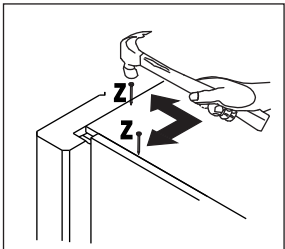
15



16

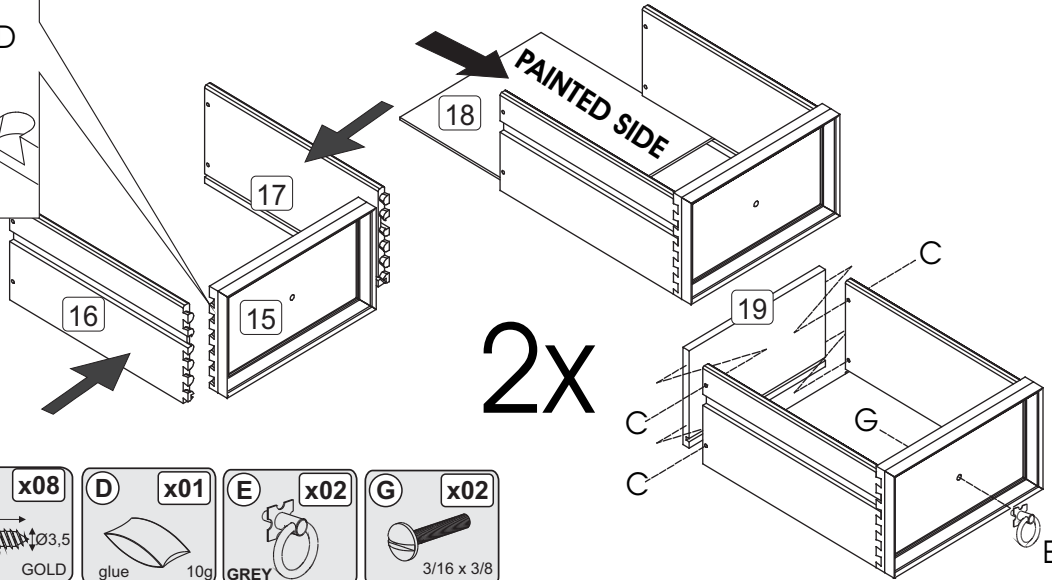
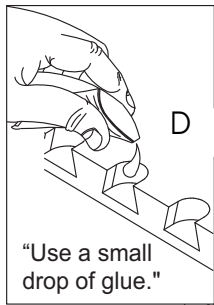


17



# 18

"Join drawer sides to drawer fronts with caution not to damage dovetail joints. Tap gently up and down the drawer side until fully inserted into drawer front."

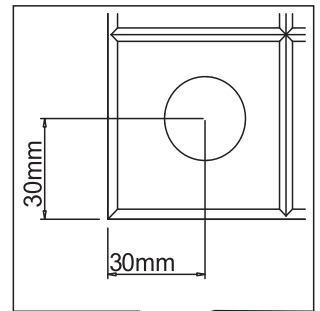
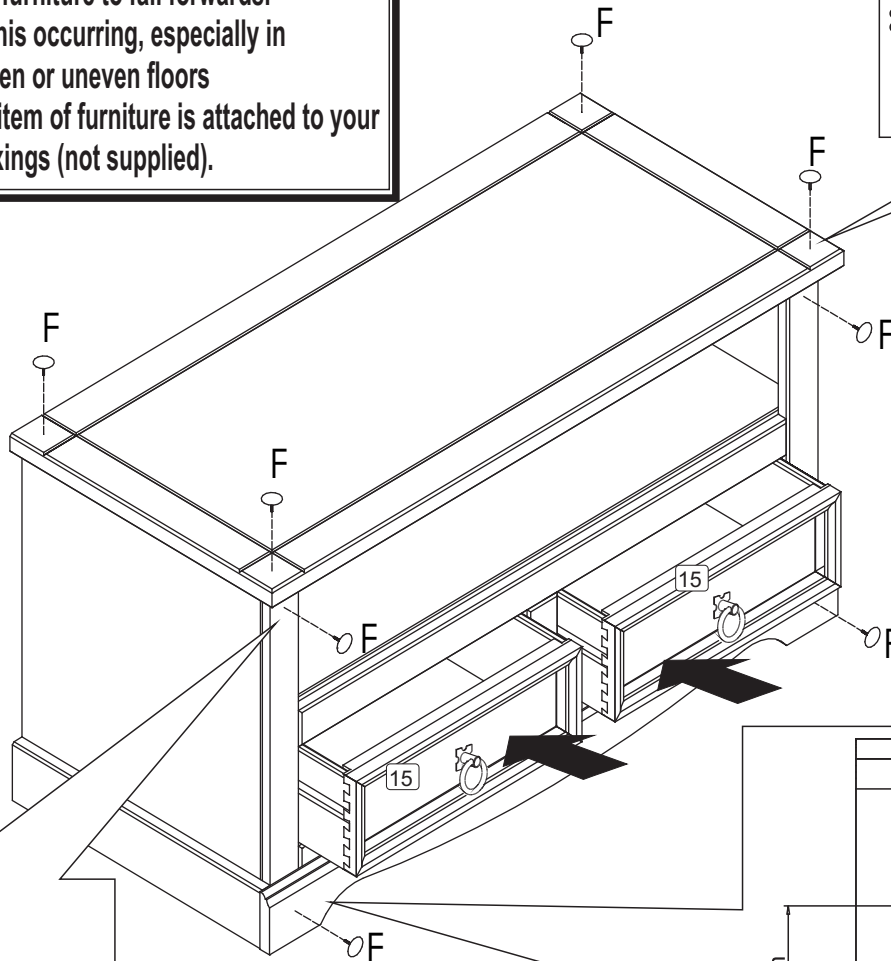


- C** x08  
 30mm  
**P3** GOLD
- D** x01  
 glue 10g
- E** x02  
 GREY
- G** x02  
 3/16 x 3/8

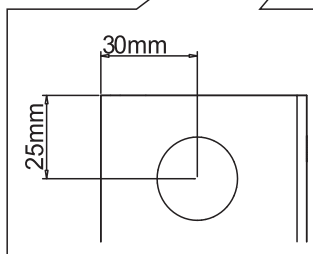
# 19

## IMPORTANT NOTICE

Please avoid opening all drawers or doors simultaneously as this could cause your furniture to fall forwards. Where there is a risk of this occurring, especially in environments with children or uneven floors we recommend that this item of furniture is attached to your wall using appropriate fixings (not supplied).



- F** x08  
 GREY



- X** x01  
 RED = PAINT  
 The RED sachet contains touch up paint for your furniture. Please retain for use should you require it at any point in the future. Application is best with a small paint brush which can be cleaned in water after use.

