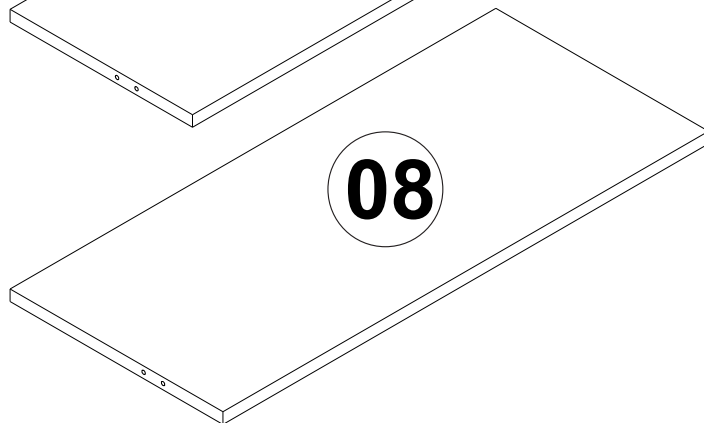
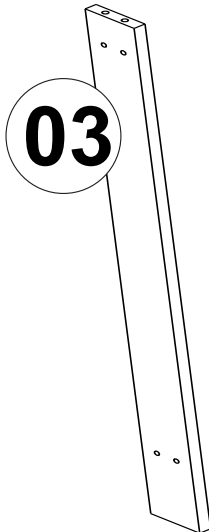
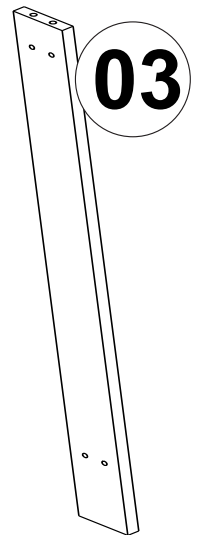
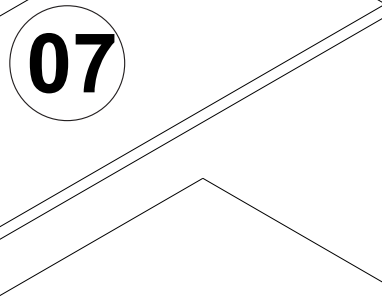
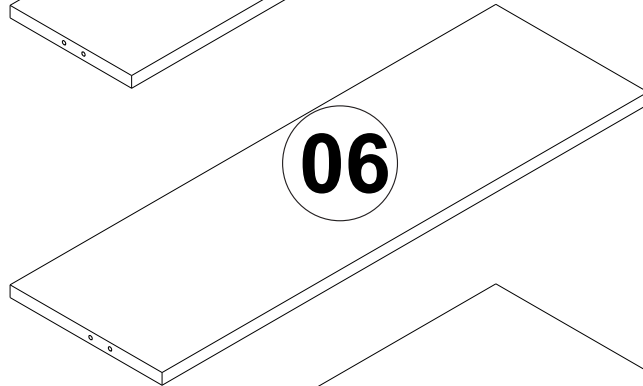
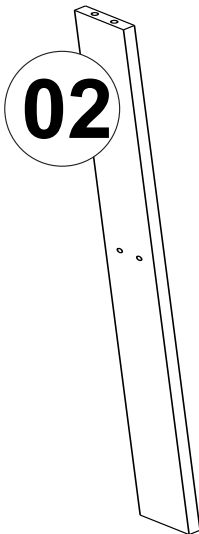
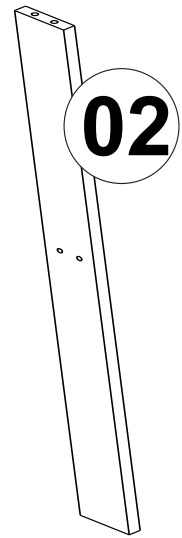
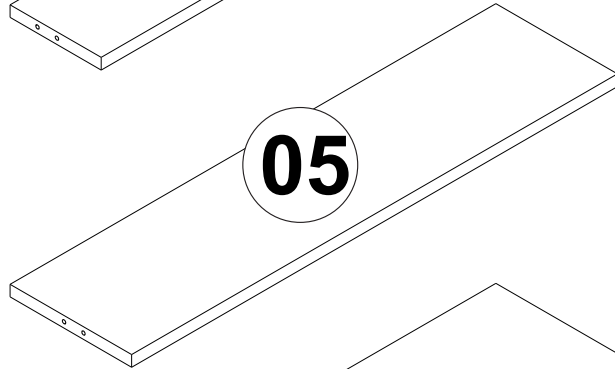
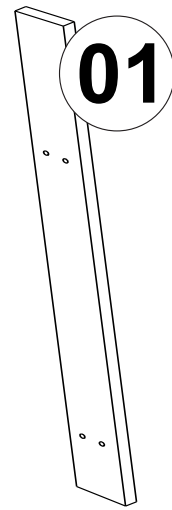
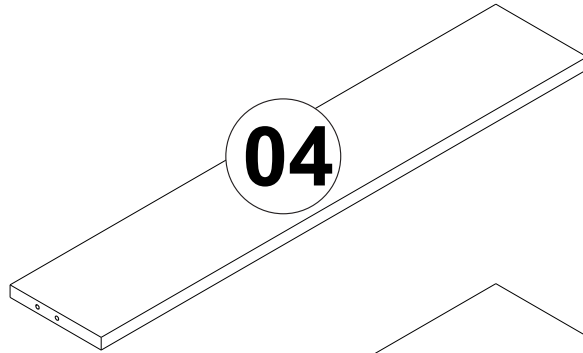
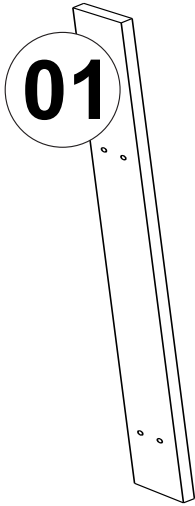


CRG954



CRG954



Thank you for choosing this furniture.

BEFORE YOU START ASSEMBLY please store the carton at room temperature for 48 hours or more so the contents can acclimatise.

PLEASE RETAIN ALL PACKING UNTIL YOU HAVE COMPLETED ASSEMBLY.

Information about your pine furniture.

Our pine furniture ranges have been carefully crafted from solid wood. Each piece of pine has unique characteristics such as knots, variances in shading and graining. These are part of the natural character of the furniture itself.

Caring for your pine furniture.

Extreme temperature can cause slight movements in the wood itself so please avoid placing your furniture close to radiators or other direct sources of heat. Humidity should also be avoided.

Please avoid exposing your furniture to continued bright sunlight as it can affect the colour.

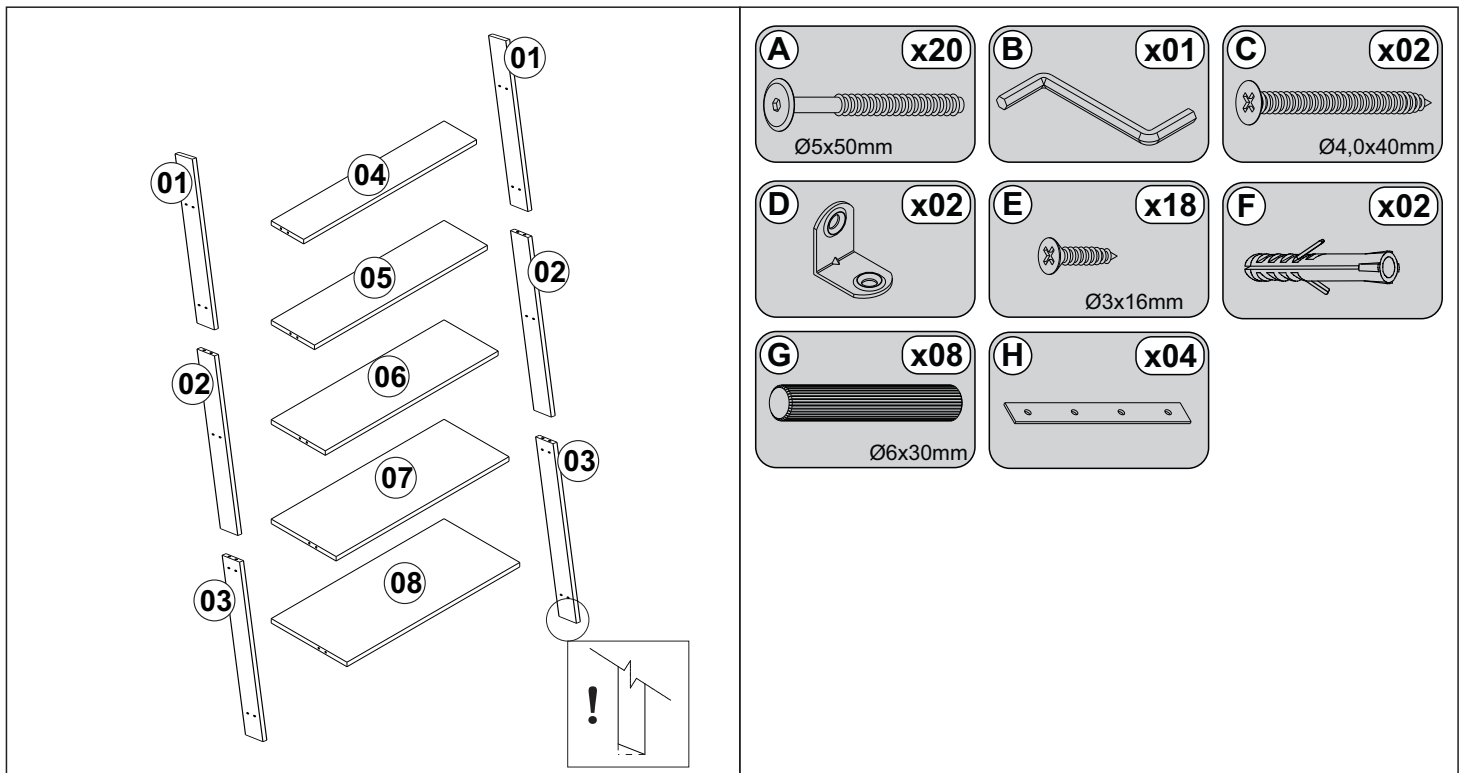
Any fluid spills should be removed as quickly as possible.

Always lift your furniture when moving as dragging may cause damage to your furniture or flooring.

After care.

Wipe the surfaces with a dry cloth and an occasional use of a normal household furniture polish. For the models with drawers, we also recommend you use household spray polish occasionally on drawer grooves and runners as this will aid use. Please do not use detergents or chemicals on your furniture.

PARTS LIST



BEFORE YOU START ASSEMBLY

Please check that you have all the correct parts and fittings as detailed in the Parts List above.

In the unlikely event that you require to order spare parts please refer to your delivery note for details of how to order on our Parts Website.

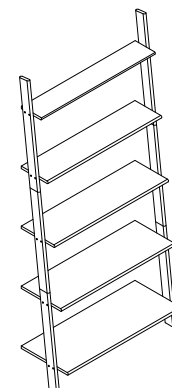
FOR DAMAGED/REPLACEMENT PARTS

Please visit,

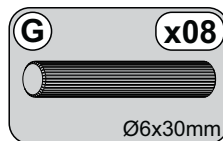
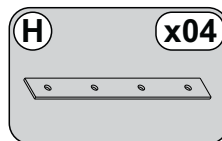
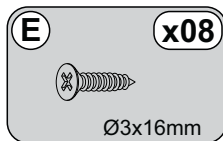
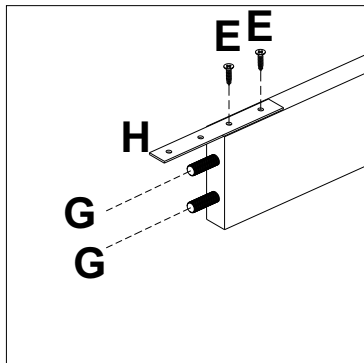
www.coreproducts.co.uk/parts

BATCH NUMBER **2020-0000**

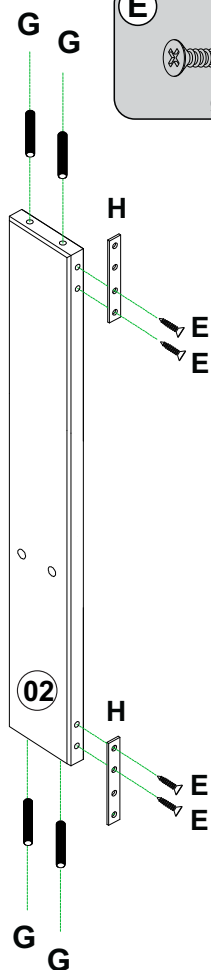
PLEASE RETAIN THIS LEAFLET ALONG WITH YOUR DELIVERY NOTE/RECEIPT FOR FUTURE REFERENCE.



01

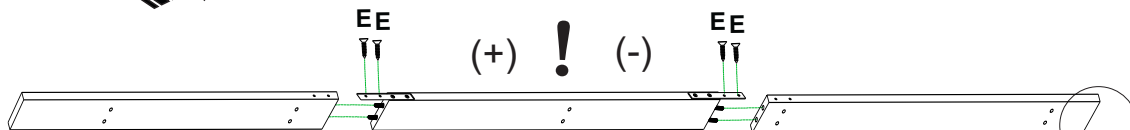
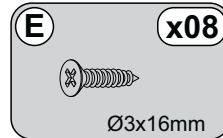
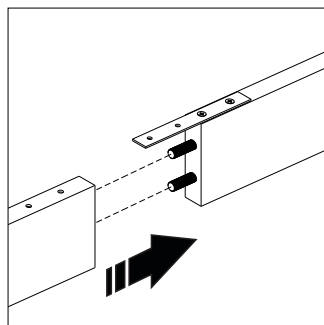


(+)
!
(-)



(x2)

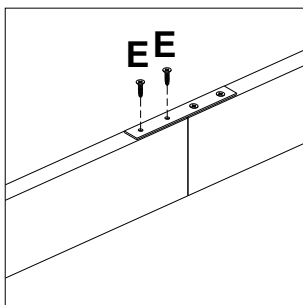
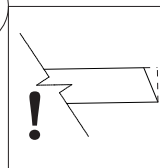
02



01

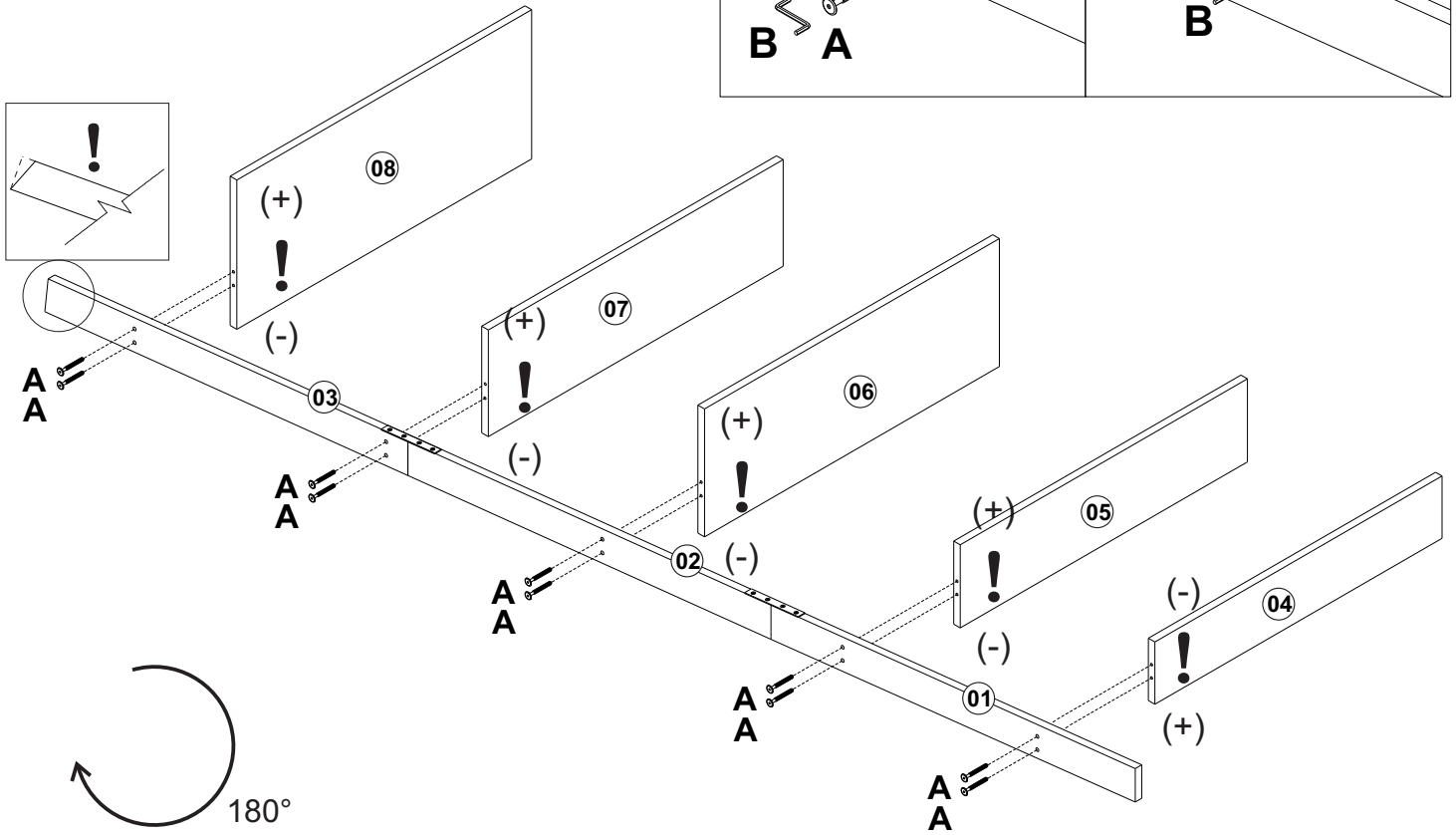
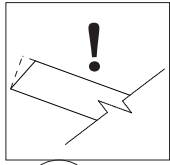
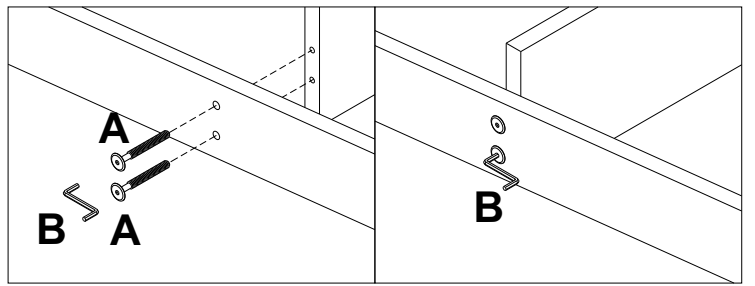
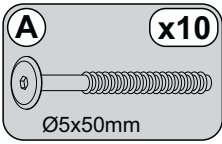
02

03

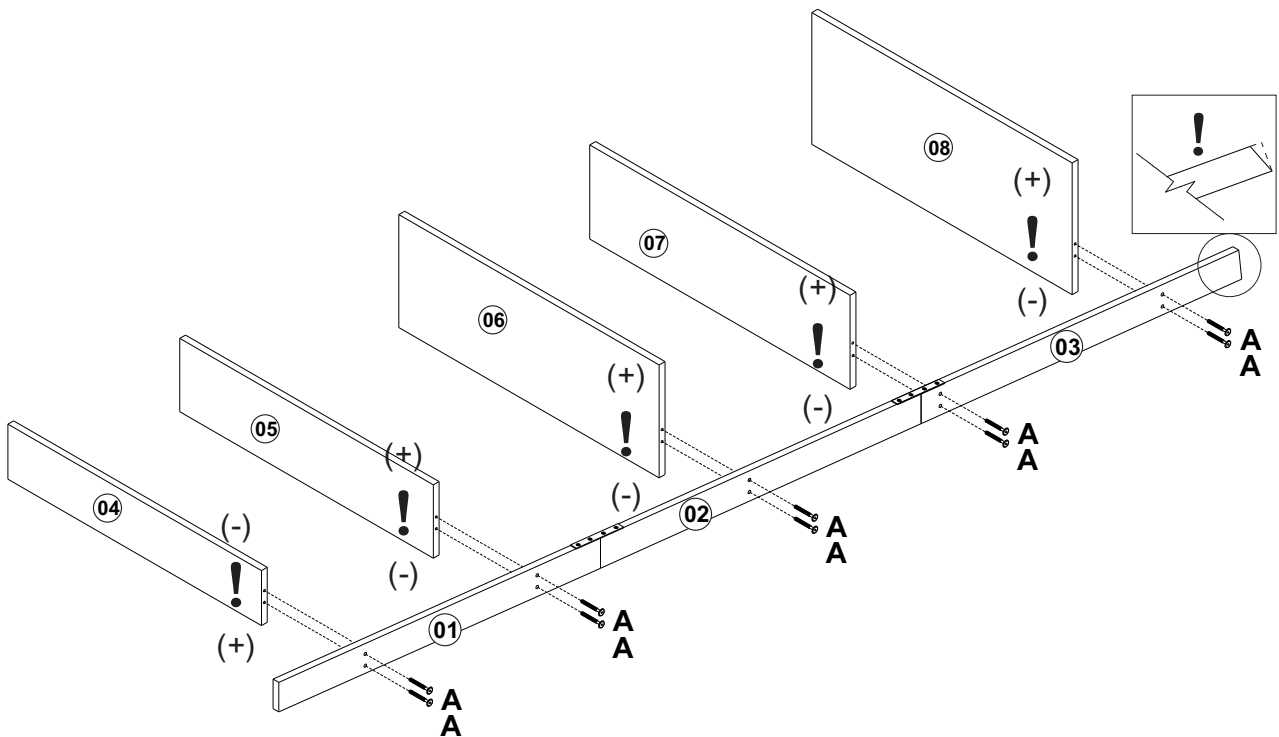
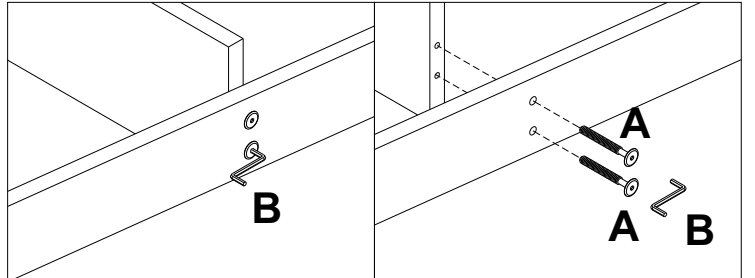
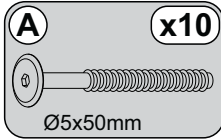


(x2)

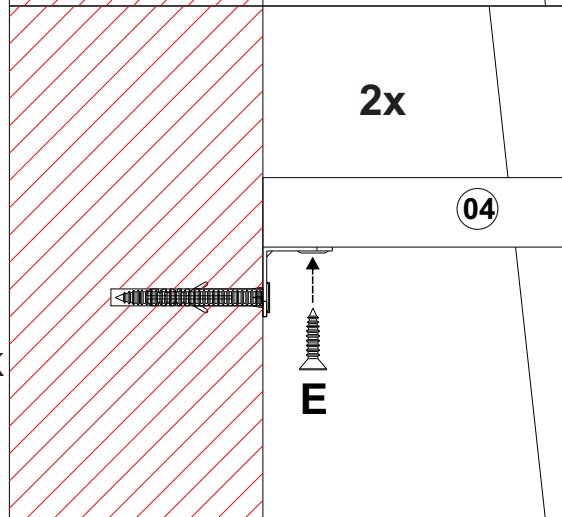
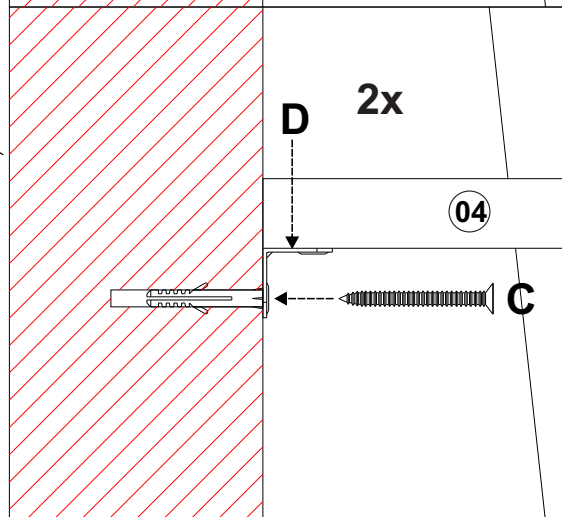
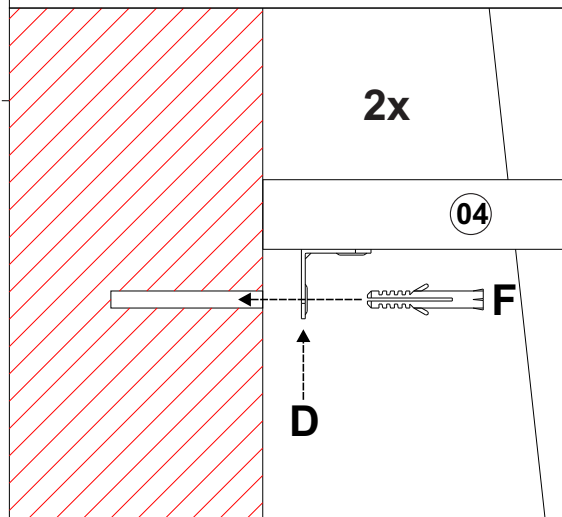
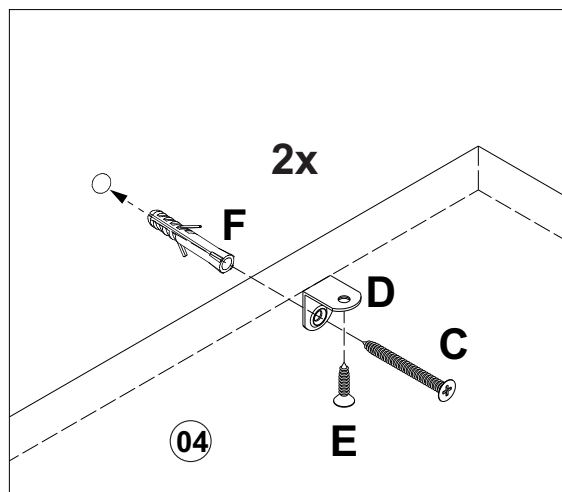
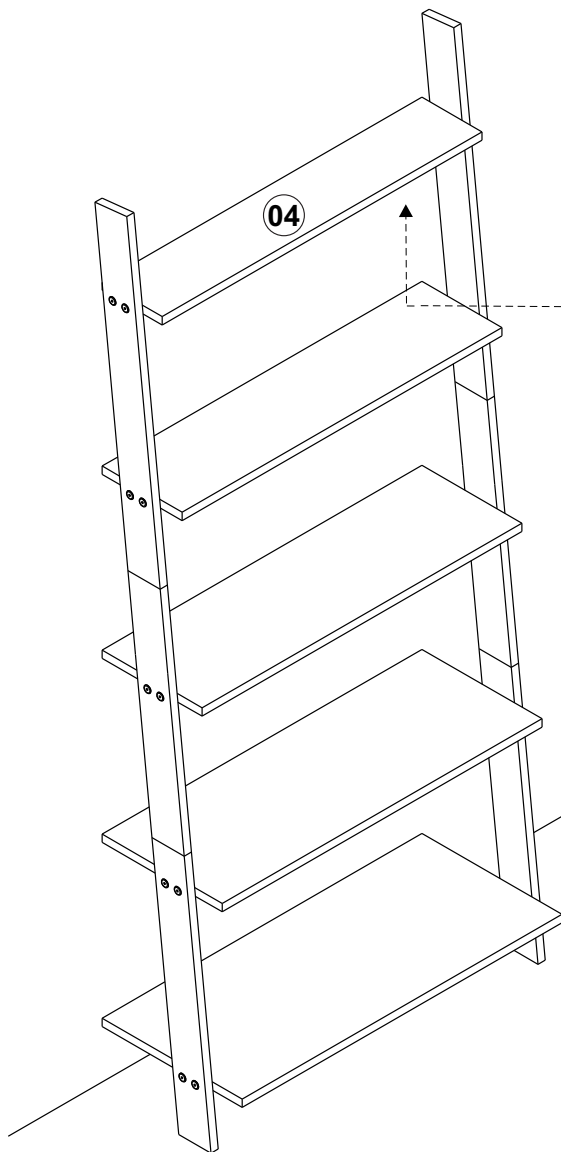
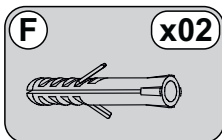
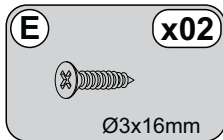
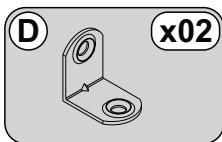
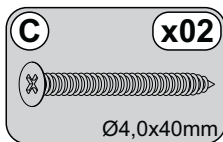
03



04



05



READ FULL INSTRUCTIONS BEFORE ASSEMBLY

STEP 1 Hold shelf in desired position on wall, level (with a spirit level) and mark positions on the screw holes on to your wall. Ensure that shelf remains straight and level.

STEP 2 Drill holes for wall plugs supplied with a 5mm drill bit to a depth of 30mm. Insert wall plugs so the ends are flush with your wall and screw bracket firmly to wall.

WARNING: CHECK FOR HIDDEN PIPES AND CABLES BEFORE DRILLING.

IMPORTANT: IF YOUR WALLS ARE NOT SOLID LIKE BRICK OR STONE, YOU WILL REQUIRE SPECIALIST FITTINGS (NOT SUPPLIED)