

# DK208



45min

Thank you for choosing this furniture.

**BEFORE YOU START ASSEMBLY** please store the carton for 48 hours or more so the contents can acclimatise.  
**PLEASE RETAIN ALL PACKING UNTIL YOU HAVE COMPLETED ASSEMBLY.**

### Information about your furniture.

Our furniture ranges have been carefully crafted from solid wood and natural wood veneers. Each piece of furniture has unique characteristics such as knots, variances and graining. These are part of the natural character of the furniture itself.

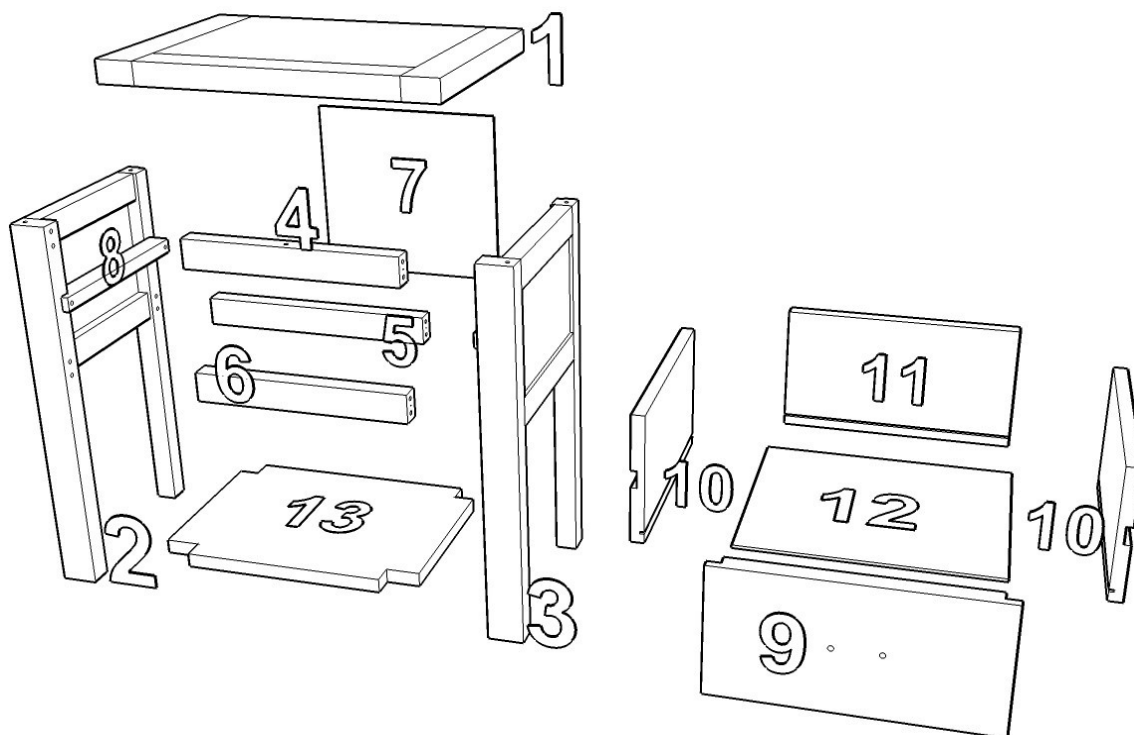
### Caring for your furniture.

Extreme temperature can cause slight movements in the wood itself so please avoid placing your furniture close to radiators or other direct sources of heat. Humidity should also be avoided. Please avoid exposing your furniture to continued bright sunlight as it can affect the colour. Any fluid should be removed as quickly as possible. Always lift your furniture when moving, as dragging can cause damage to your furniture or flooring. Extreme changes in temperature & humidity during transit may result in a powder residue forming so silica gel bags have been included to alleviate this natural occurrence. This residue is harmless and can easily be removed before assembly with a damp cloth and mild detergent.

### After care.

Wipe the surfaces with a dry cloth and an occasional use of normal household polish. We also recommend you use household spray polish occasionally on the drawer grooves and runners as this will aid use. Please do not use detergents or chemicals on your furniture.

## PARTS LIST



A = x22  
Dowel



B = x21  
40mm Screw



C = x10  
30mm Screw



D = x12  
Nail



F = x1  
Handle



G = x2  
15mm Bolt

### **BEFORE YOU START ASSEMBLY**

Please check that you have all the correct parts and fittings as detailed on the assembly instructions

### **FOR DAMAGED/REPLACEMENT PARTS**

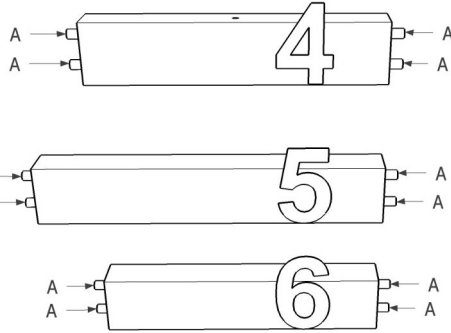
Please visit [www.coreproducts.co.uk/parts](http://www.coreproducts.co.uk/parts)

**PLEASE RETAIN THIS LEAFLET ALONG WITH YOUR DELIVERY NOTE/RECEIPT FOR FUTURE REFEREN**

Batch No.

2022 Specification

1

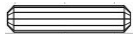
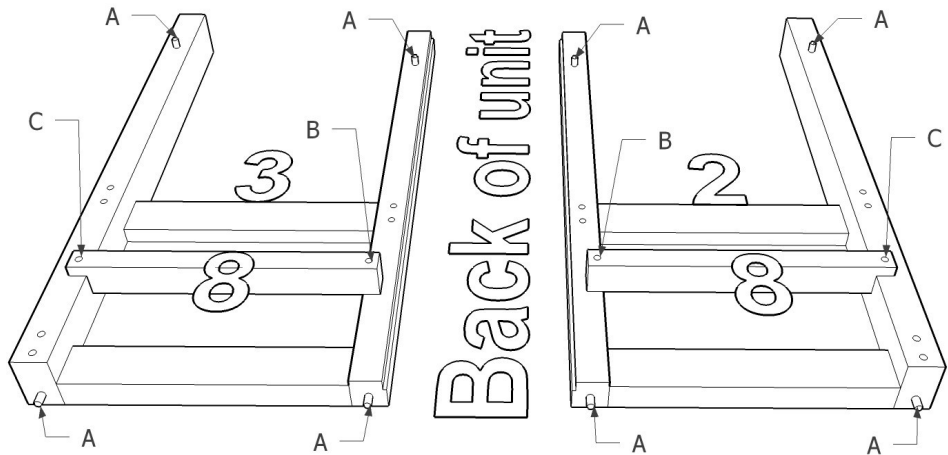


Tip: during assembly place unit onto a work surface with a clean cover



A = x12  
Dowel

2



A = x8  
Dowel



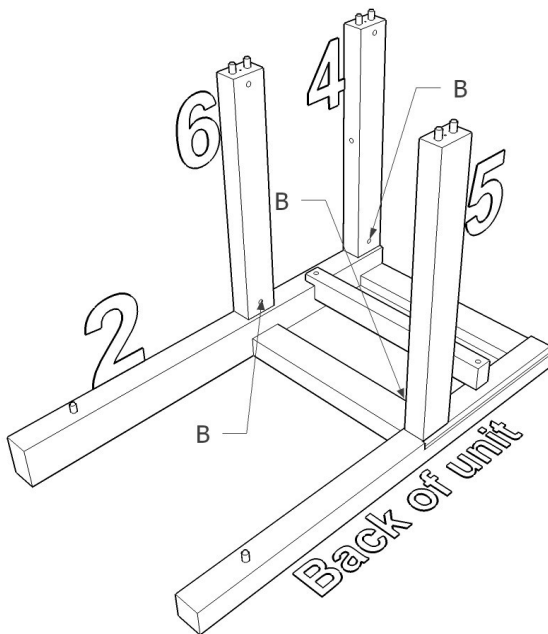
B = x2  
40mm Screw



C = x2  
30mm Screw

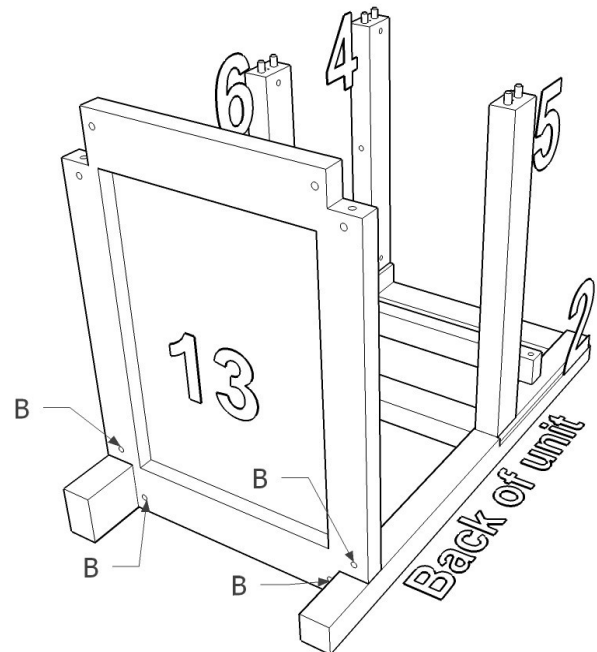
3

Tip: Bar 4 has a countersunk hole to insert screw and attach it to the top.



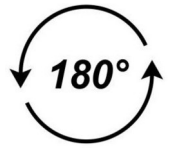
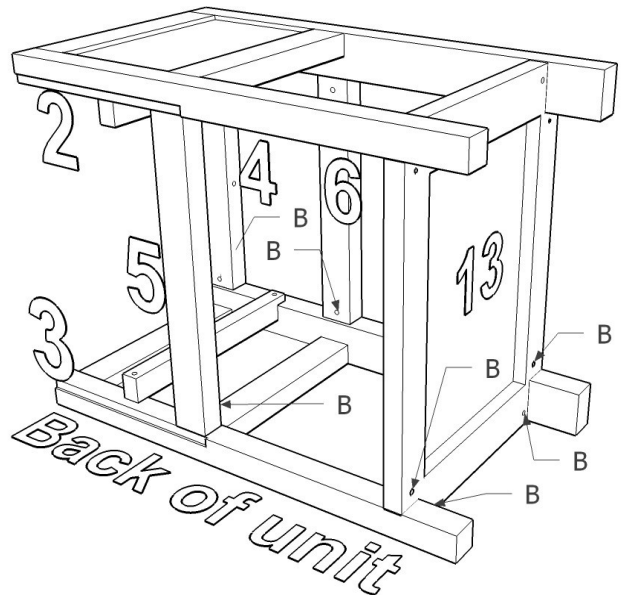
B = x3  
40mm Screw

4



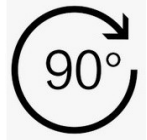
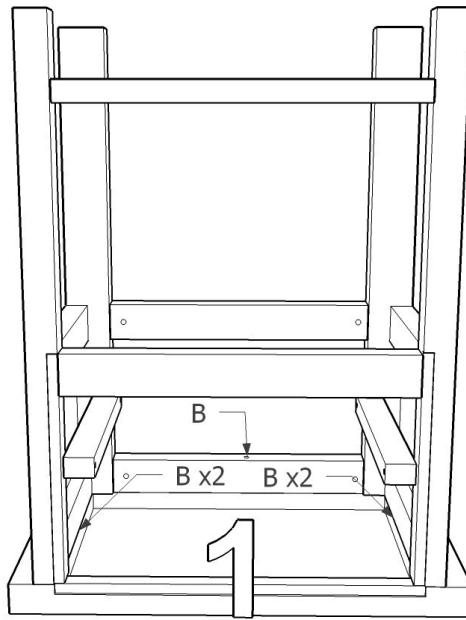
B = x4  
40mm Screw

5



B = x7  
40mm Screw

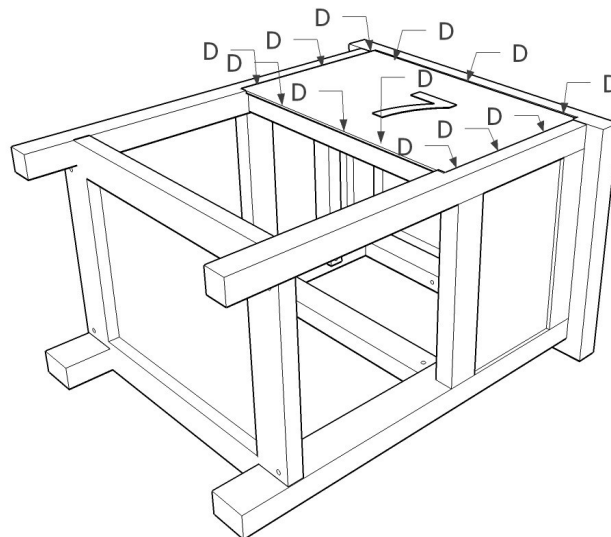
6



B = X5  
40mm Screw

7

Tip: Place top of unit over the edge of the work surface to ensure the top does not mark during assembly



D = x12  
Nail

8



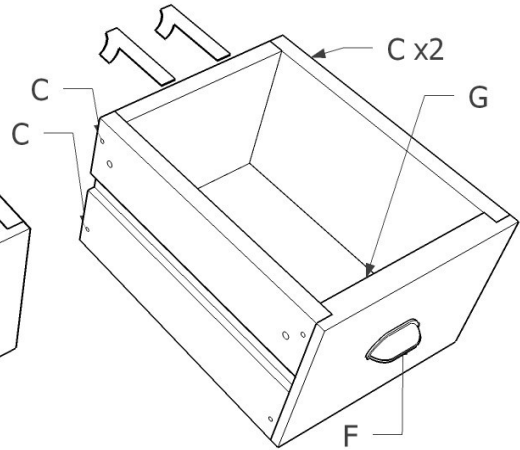
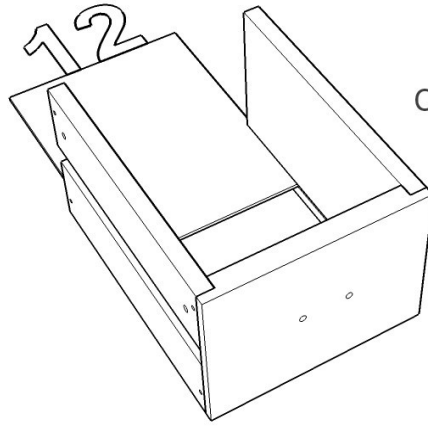
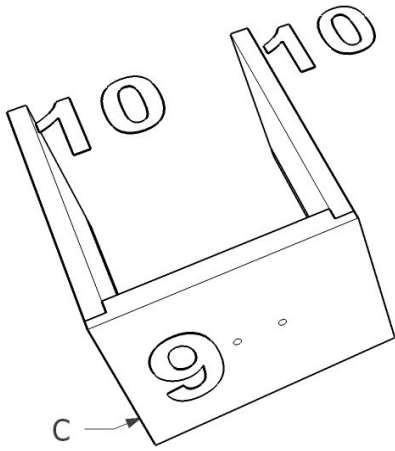
G = x2  
Bolt



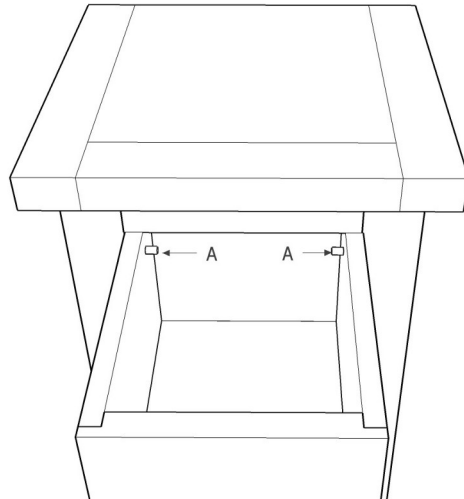
F = x1  
Handle



C = x8  
30mm Screw



9



Tip: insert dowels 'A' from the inside of the drawer, pushing through so that they sit level with the inside of the drawer side. Repeat this for all drawers.



A = x2  
Dowel