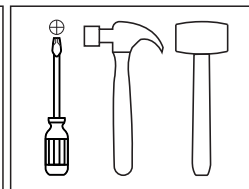
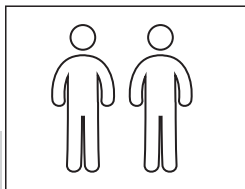


DALLAS DRINK BAR

REF. DL914



Thank you for choosing this furniture.

BEFORE YOU START ASSEMBLY please store the carton for 48 hours or more so the contents can acclimatise.

PLEASE RETAIN ALL PACKING UNTIL YOU HAVE COMPLETED ASSEMBLY.

Information about your furniture.

This furniture range has been carefully crafted from melamine faced manufactured board.

Each piece is manufactured to the highest standards using specialised computer controlled machinery to ensure accuracy.

Caring for your furniture.

Extreme temperature can cause slight movements in the board material so please avoid placing your furniture close to radiators or other direct sources of heat.

Please avoid exposing your furniture to continued bright sunlight as this can affect the colour.

Any fluid spills should be removed as quickly as possible.

Always lift your furniture when moving as dragging may cause damage to your furniture or flooring.

Always use place mats, coasters or tablecloths to help protect against scratches and accidentally dropped items. Always use heat resistant mats when placing hot or cold items on to surfaces.

Do not sit or stand on your furniture.

After care.

Wipe all surfaces with a dry cloth and the occasional use of a normal household furniture polish and a household glass cleaner on glass surfaces.

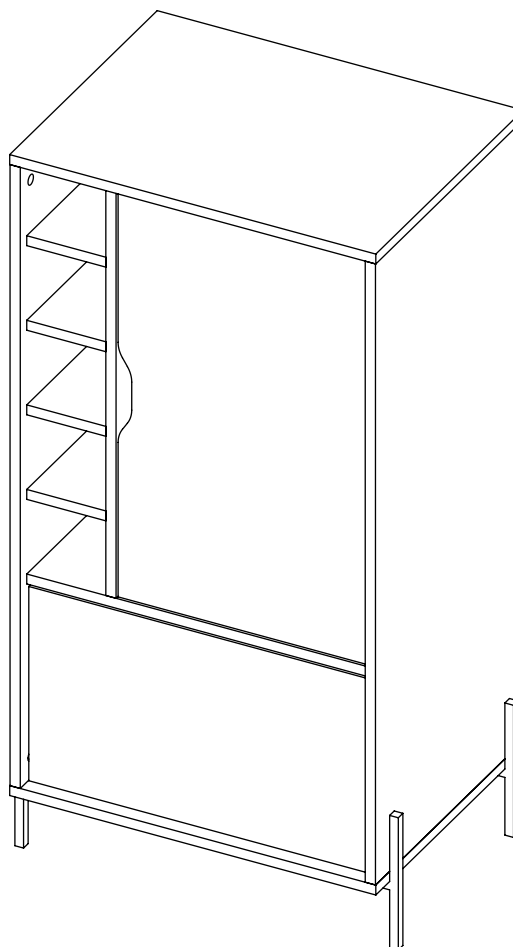
Please do not use detergents or chemicals on your furniture.

After assembly remove all visible component identification stickers, these should remove easily however any remaining adhesive residue can be easily removed with a label adhesive removal liquid available from most DIY or hardware stores.

Specialist glass care.

Glass can be marked with continual use by contact with rough surfaced objects or strong coloured fluids. In the unlikely event that the glass is damaged it must be replaced without delay with toughened glass made to specification BS EN12150. Please consult a specialist glass retailer for this.

Height: 1070 mm
Width: 562 mm
Depth: 410 mm



BEFORE YOU START ASSEMBLY

Please check that you have all the correct parts and fittings as detailed.

In the unlikely event that you require to order spare parts or fittings please refer to your delivery note for details of how to order using our Parts website.

www.coreproducts.co.uk/parts

Customer help line 01738 630555

We recommend that you build your furniture on top of a soft clean cover to ensure the unit does not get marked or damaged during assembly.

BATCH NUMBER

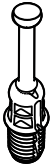
02/10/2020

PLEASE RETAIN THIS INSTRUCTION LEAFLET FOR FUTURE REFERENCE.

ASSEMBLY HARDWARE



x54
Dowel



x28
Minifix Bolt



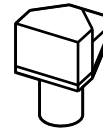
x28
Minifix Cams



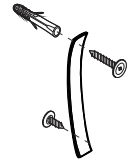
(Colour 1)
x30
Cover Caps



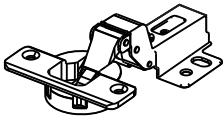
(Colour 2)
x2
Cover Caps



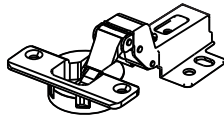
x5
Shelf support



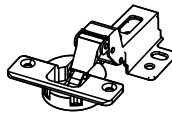
x2
Wall Fixing Kit



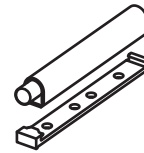
x1
End panel hinge (EPH)
(Screws included)



x1
End Panel Push
Hinge (EPPH)
(Screws included)



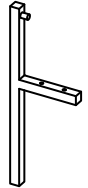
x2
Soft Closing End
Panel Hinge (SCEPH)
(Screws included)



x1
Push to
open system
(Screws included)

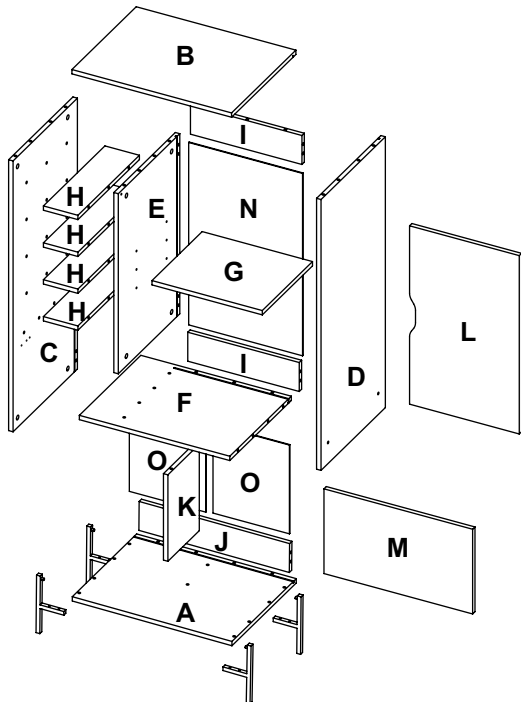


x8
Drywall Screw
25,4mm



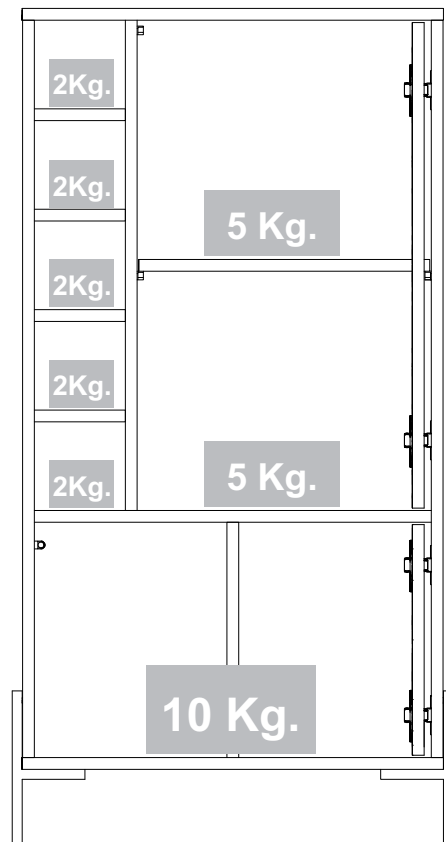
x4
Leg

ASSEMBLY PARTS

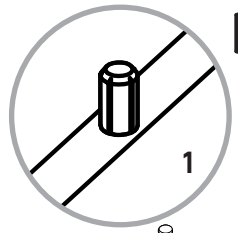
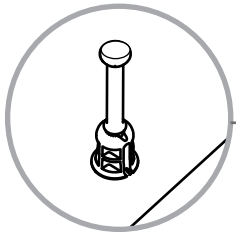


A - x1	E - x1	I - x2	M - x1
B - x1	F - x1	J - x1	N - x1
C - x1	G - x1	K - x1	O - x2
D - x1	H - x4	L - x1	

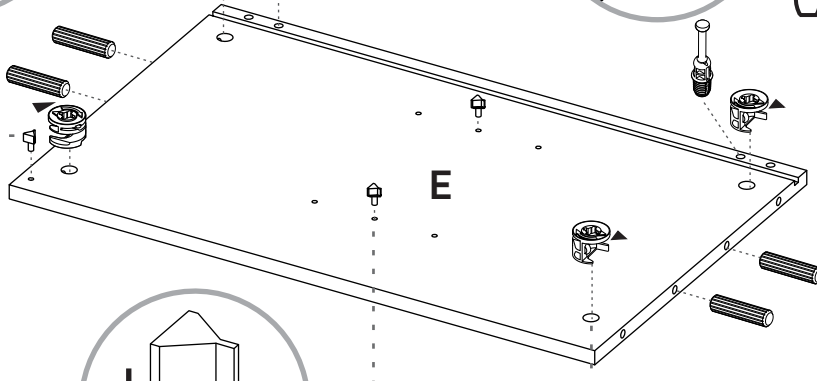
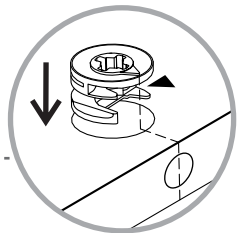
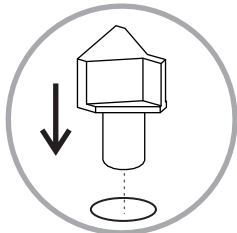
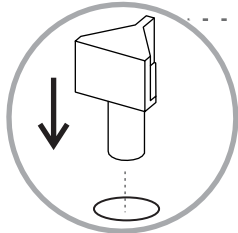
MAX SUGGESTED LOADS



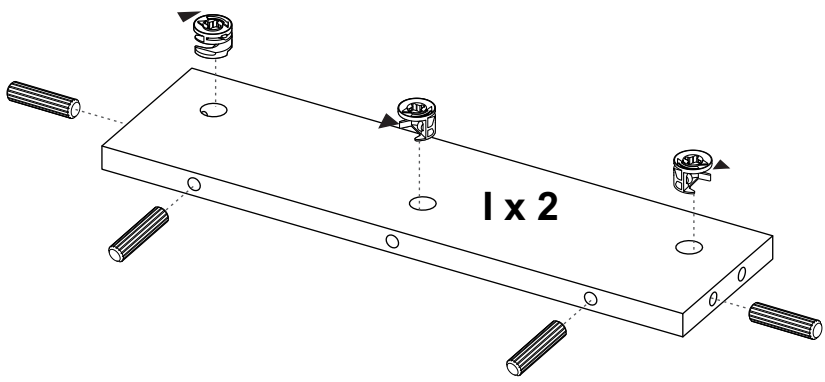
1



Gently hit to adjust. Repeat this in the following steps.

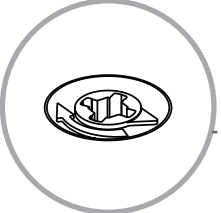


2

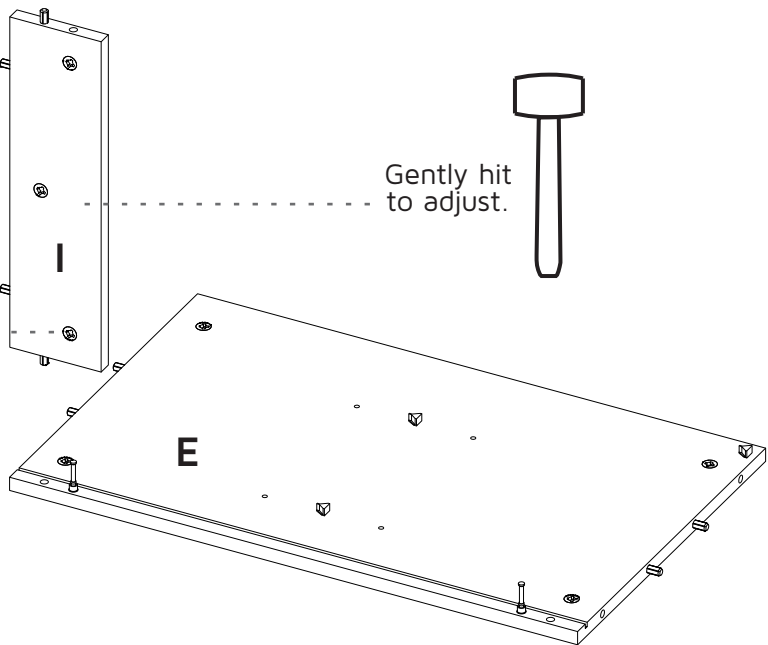
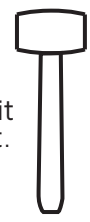


3

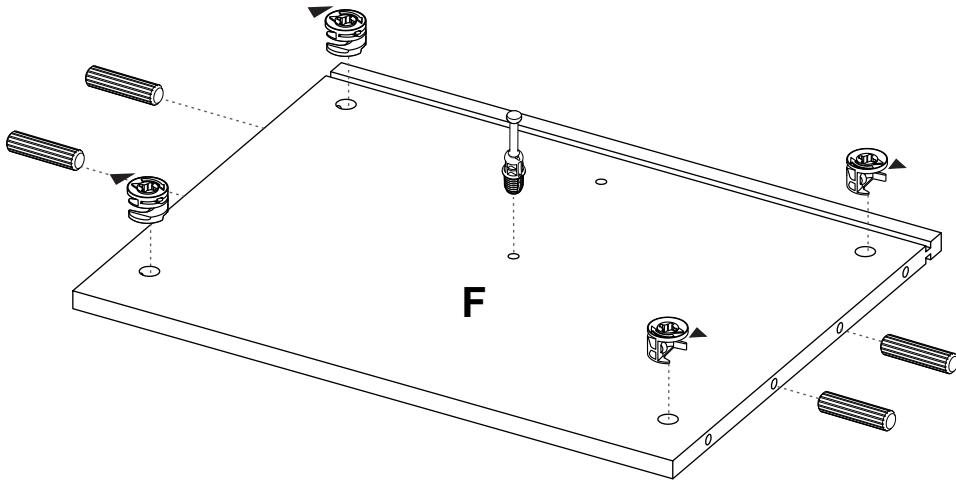
⊕ Rotate to tighten



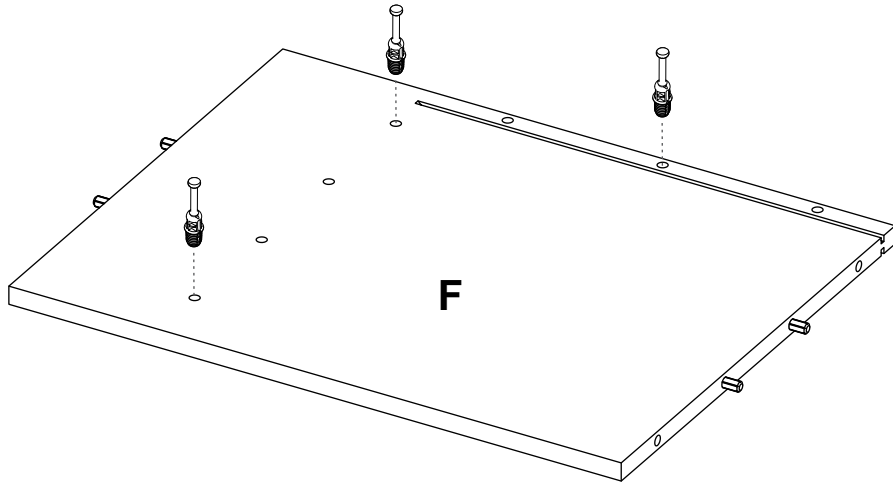
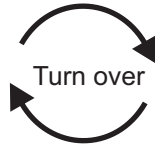
Gently hit to adjust.



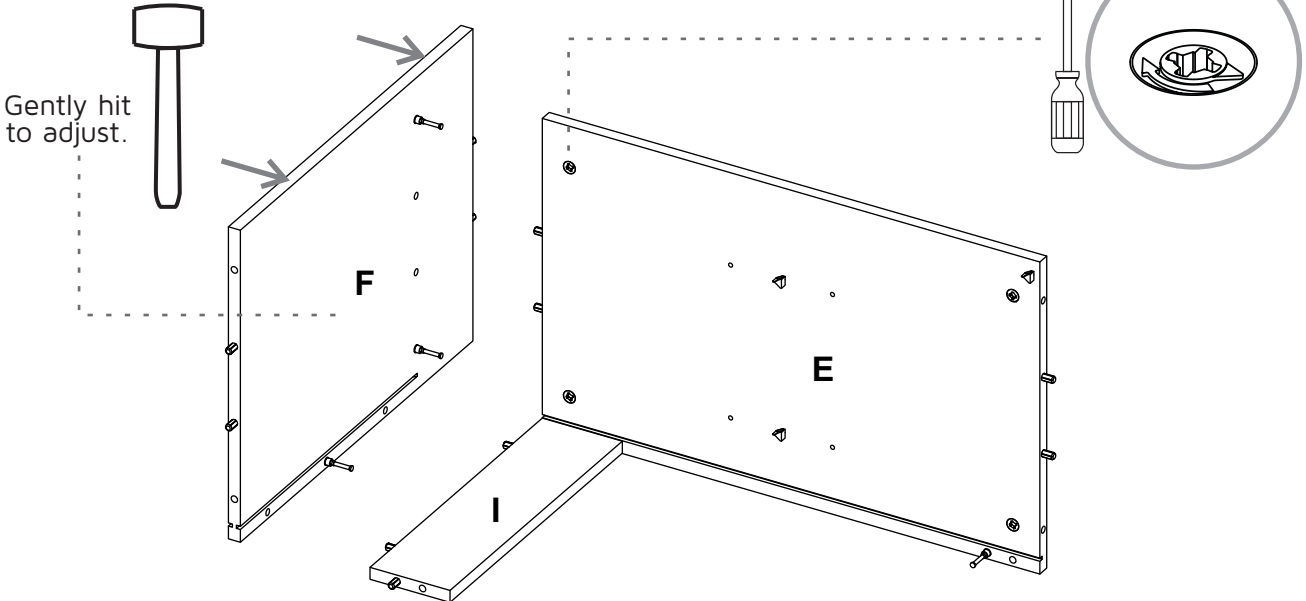
4



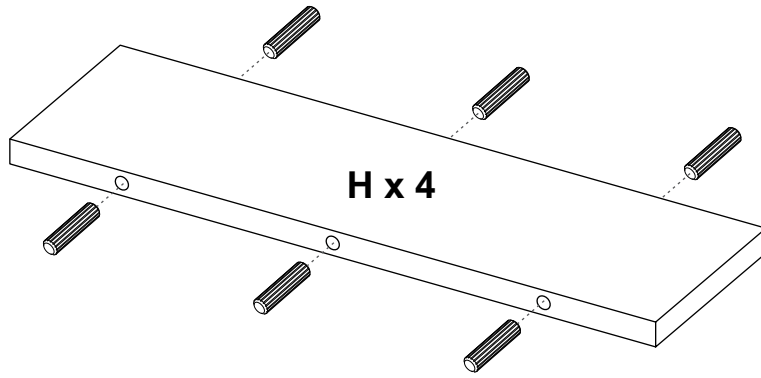
5



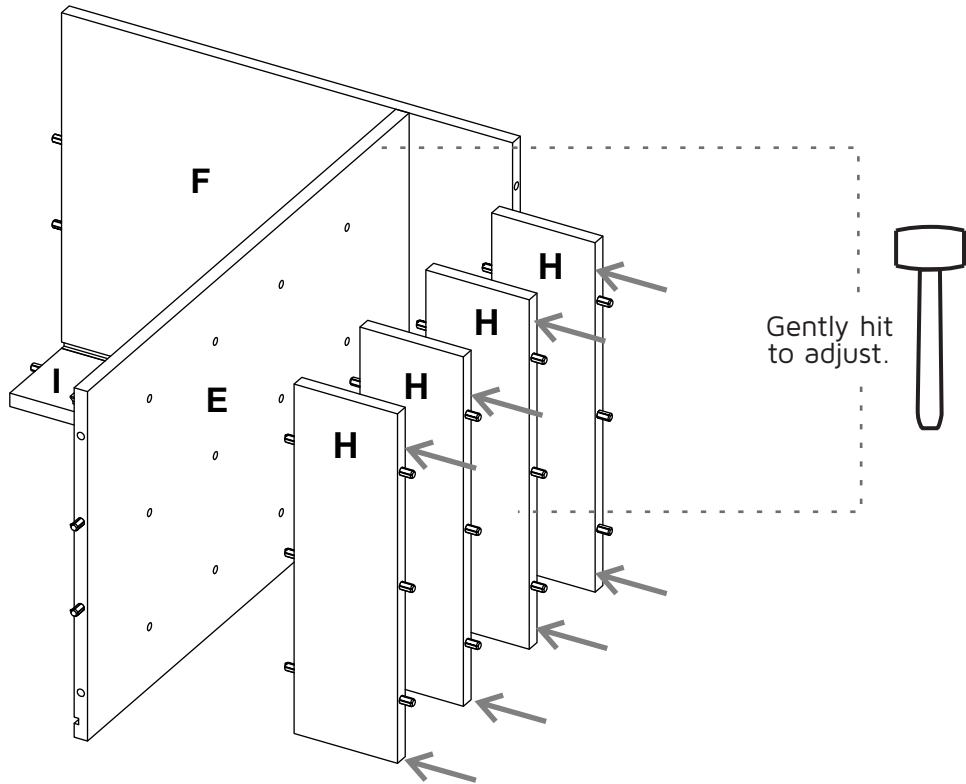
6



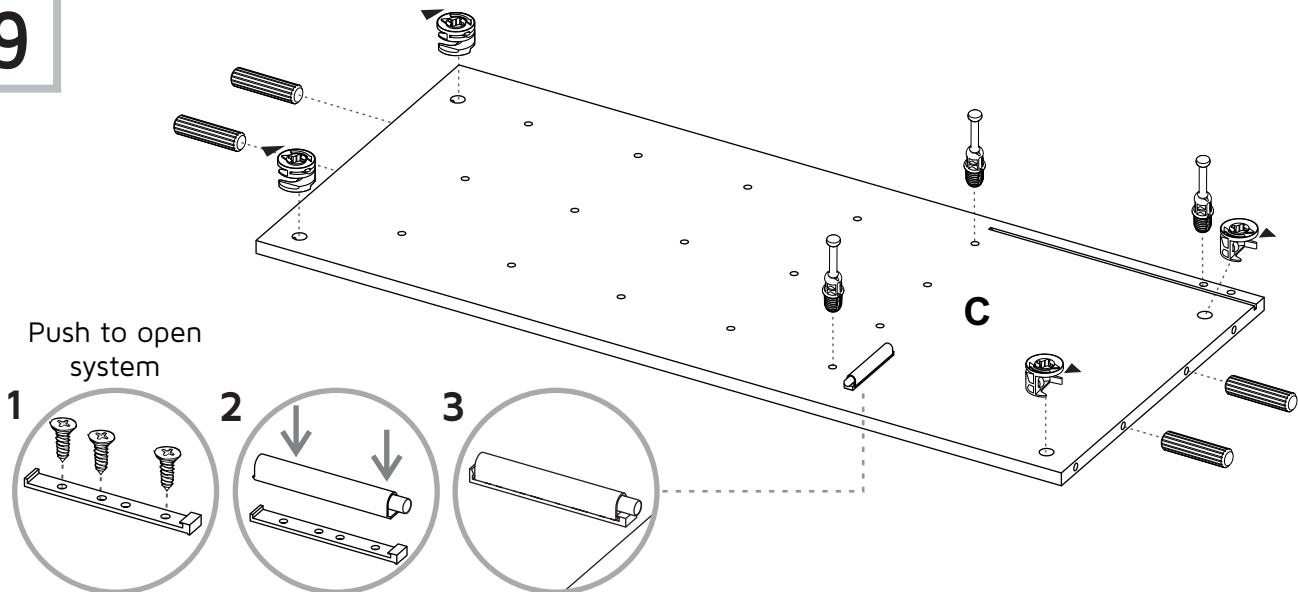
7



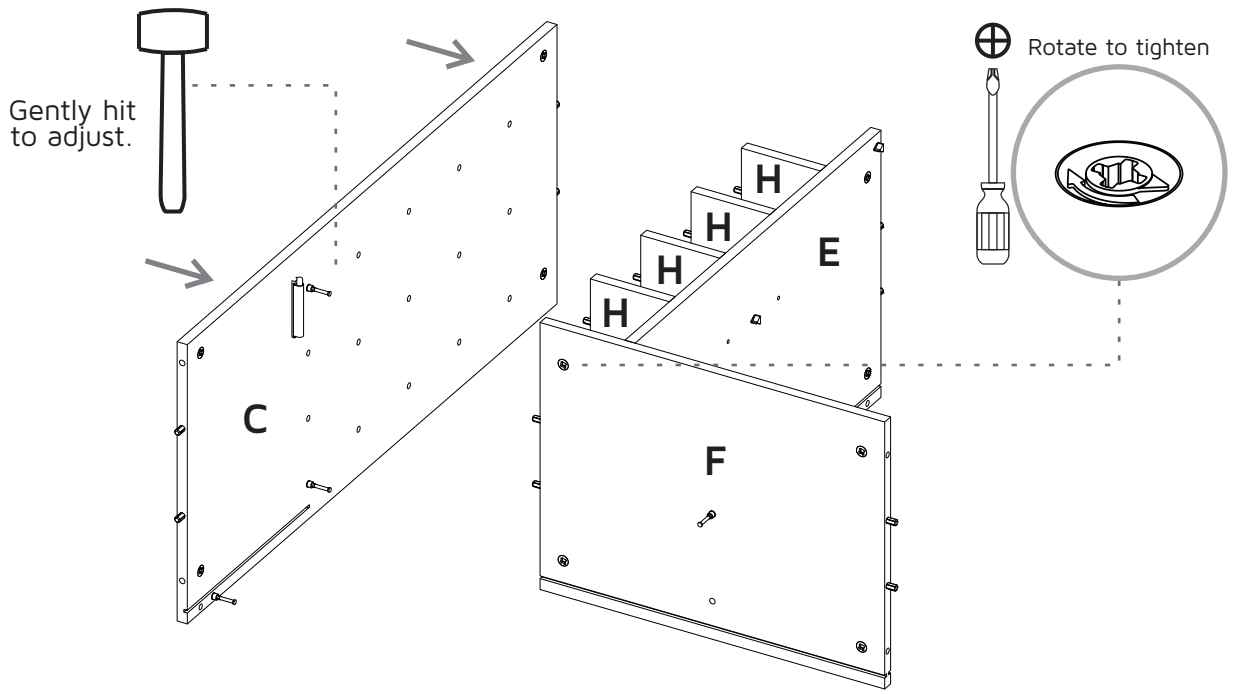
8



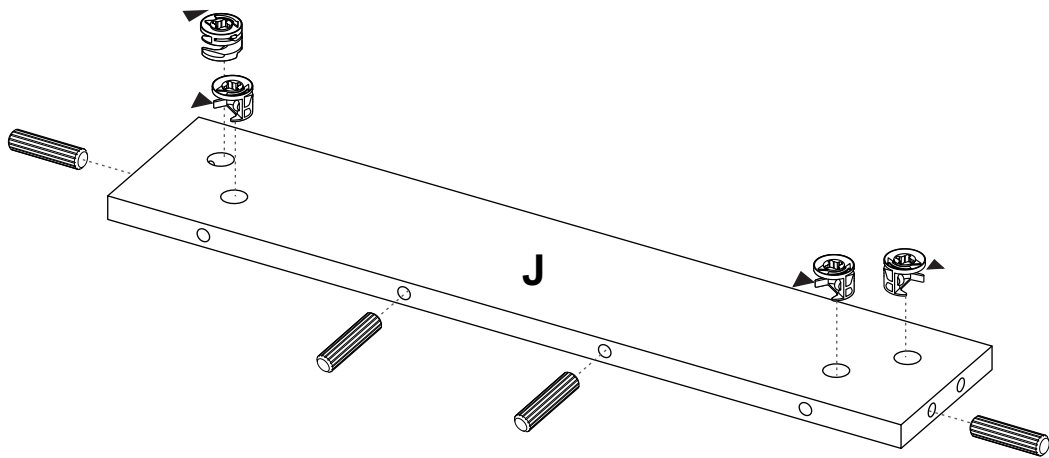
9



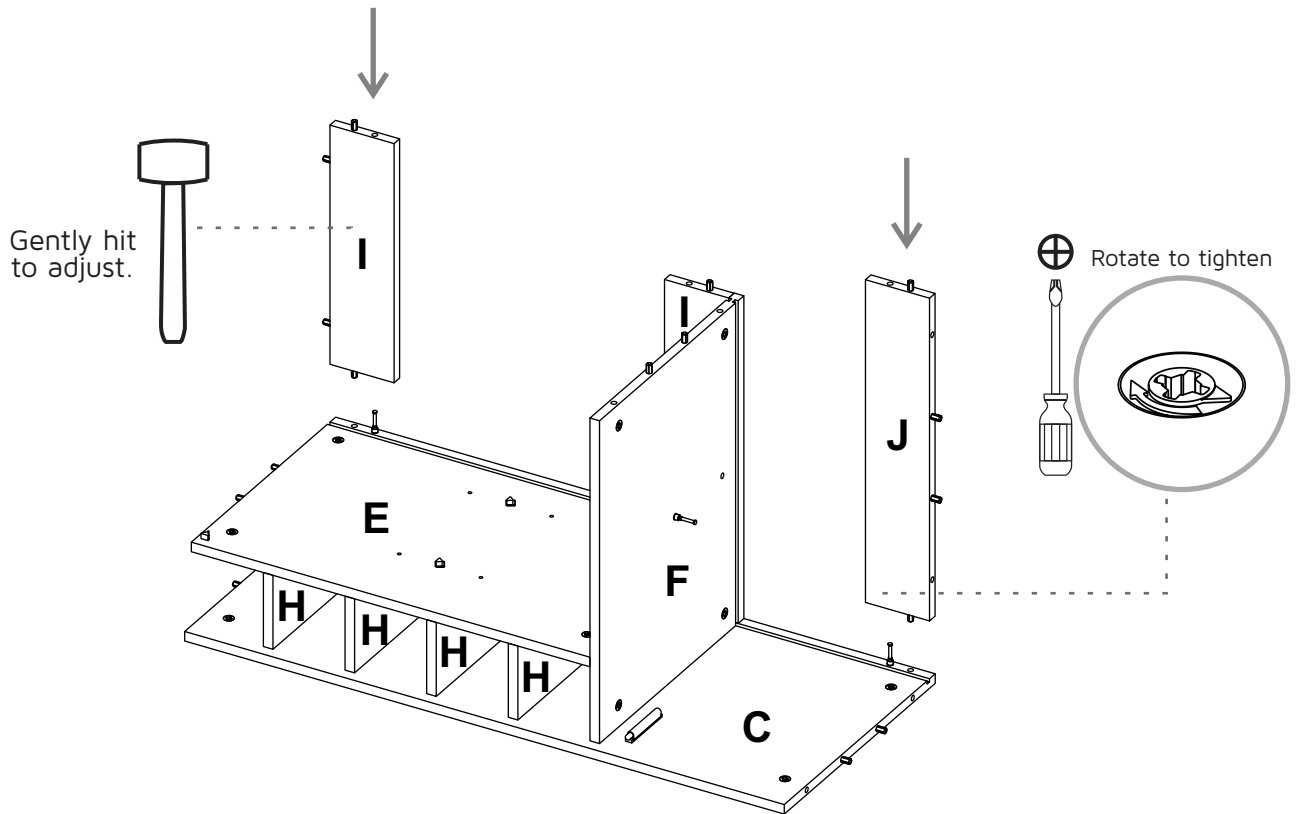
10



11



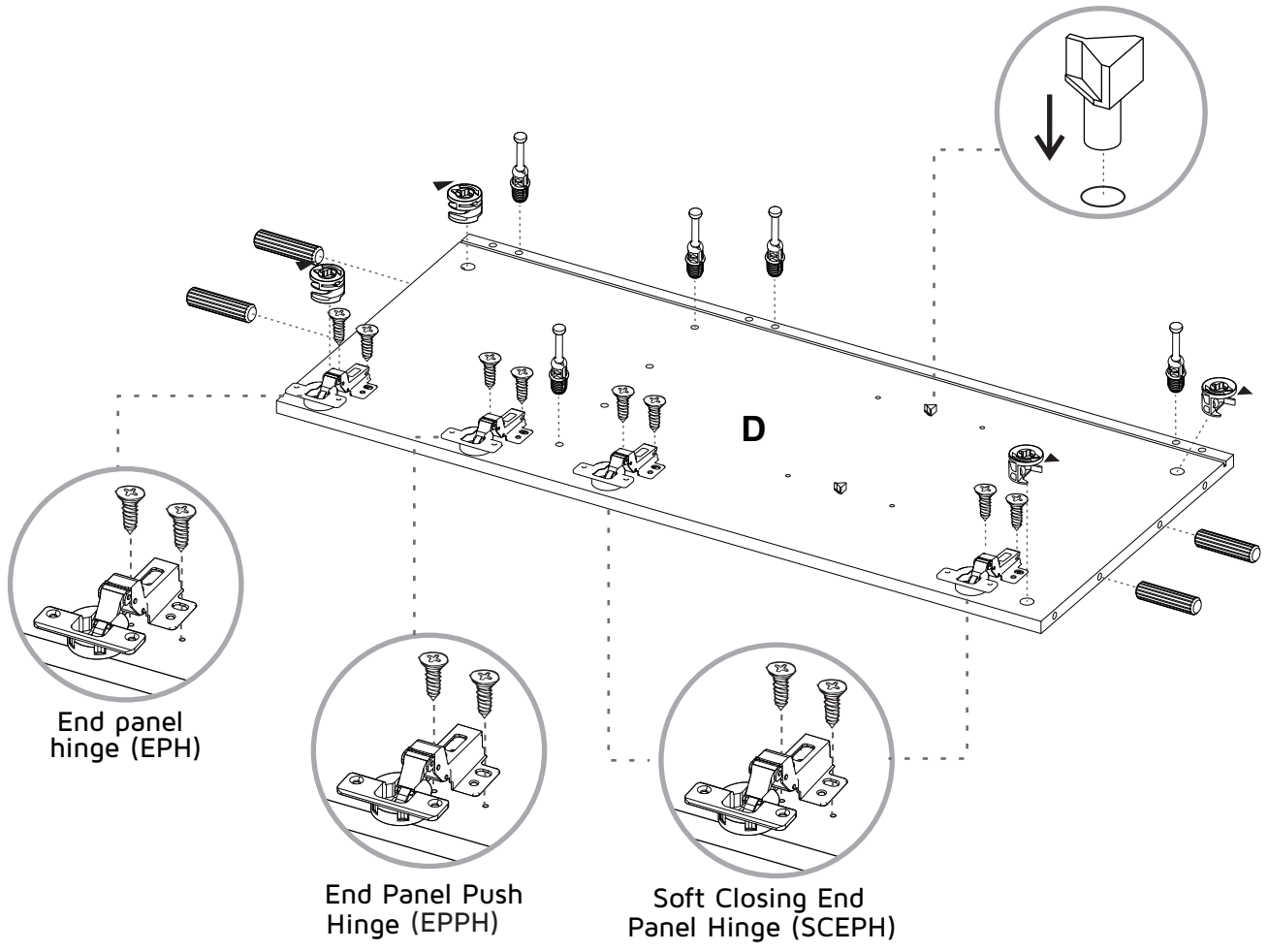
12



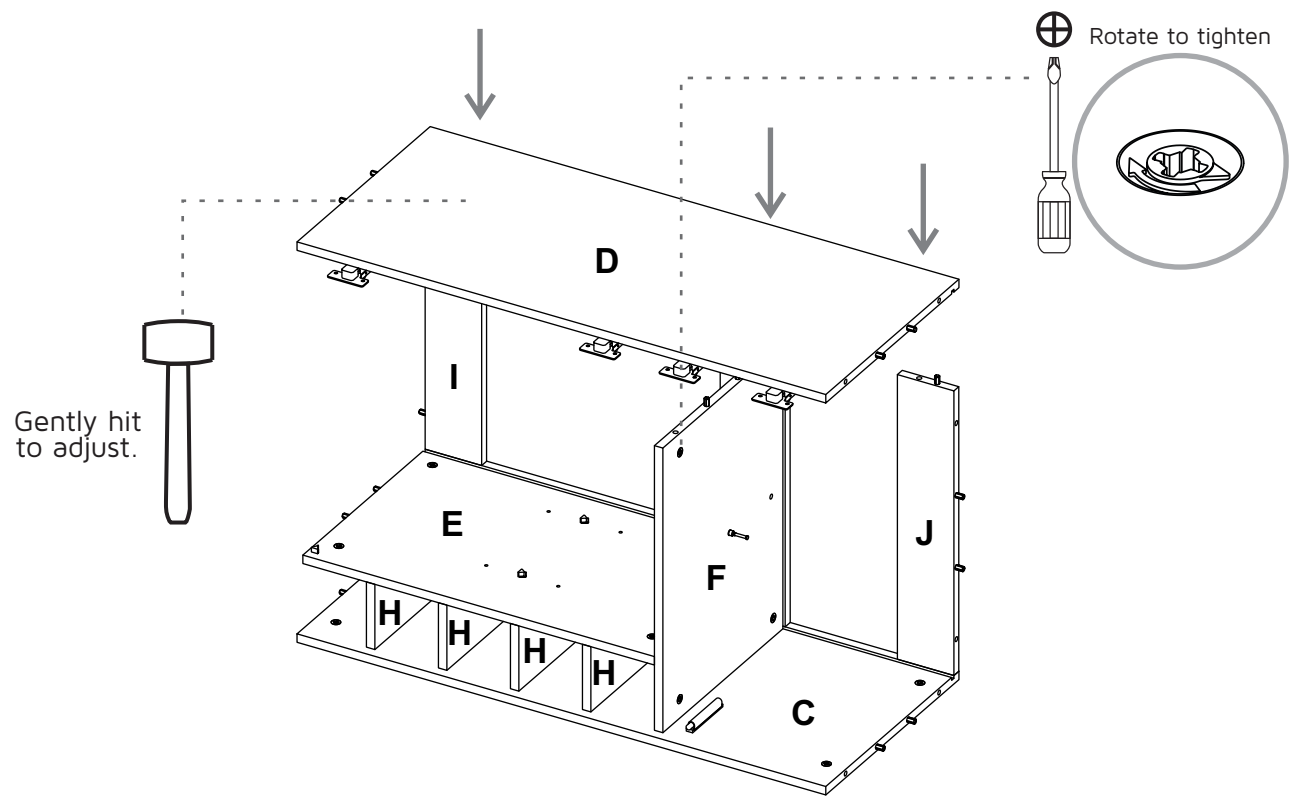
13



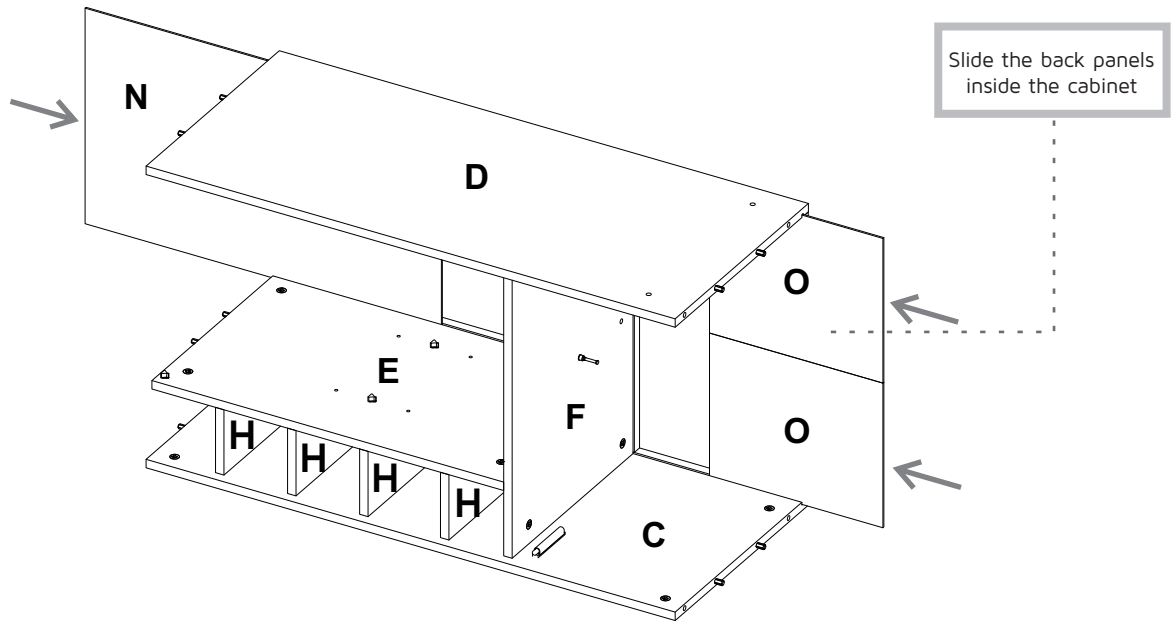
Be careful, make sure each type of hinge is in the right place



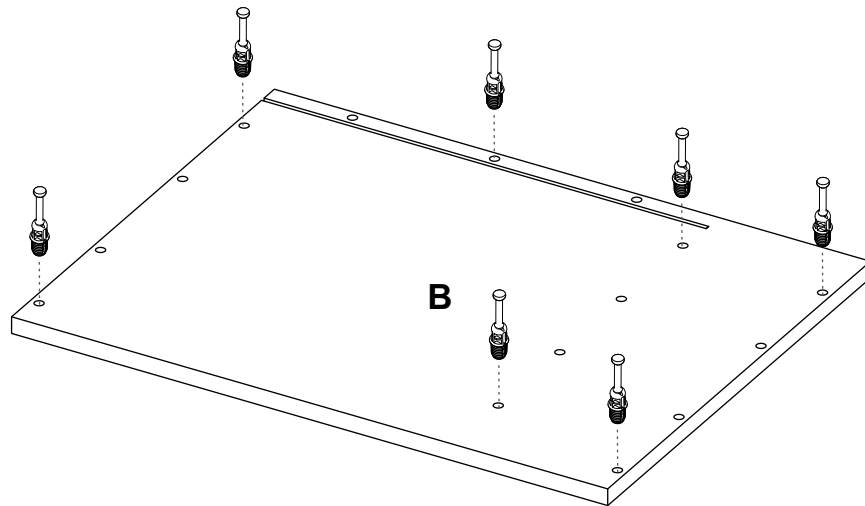
14



15

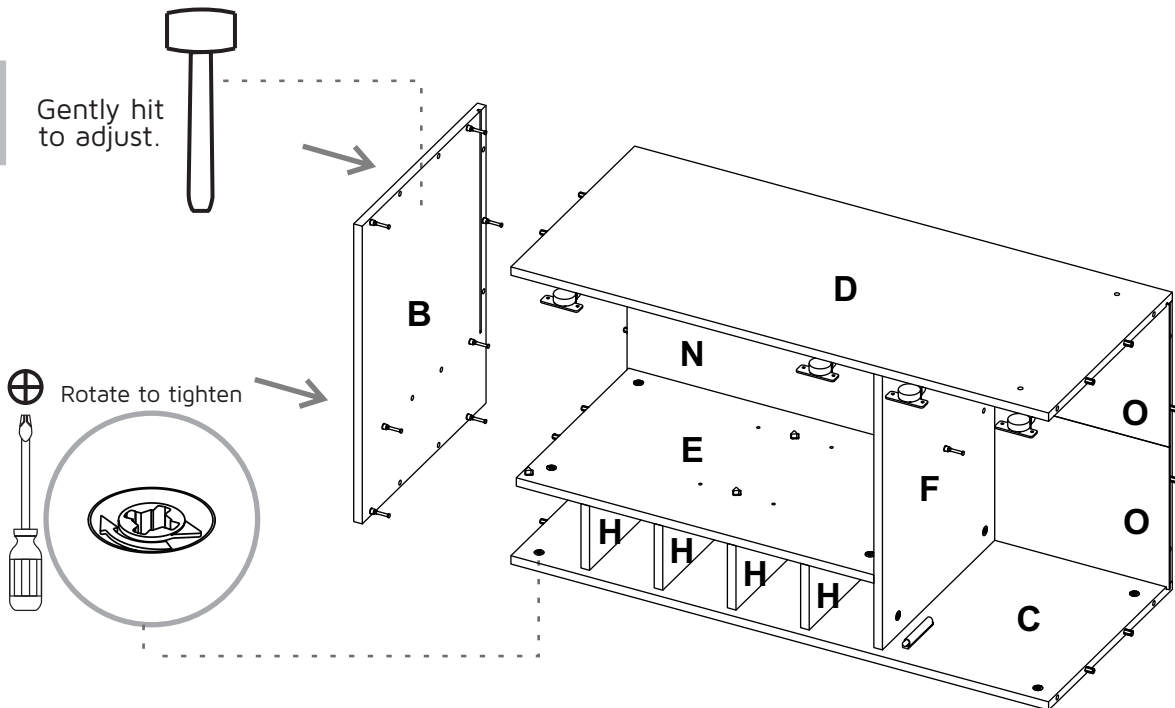


16

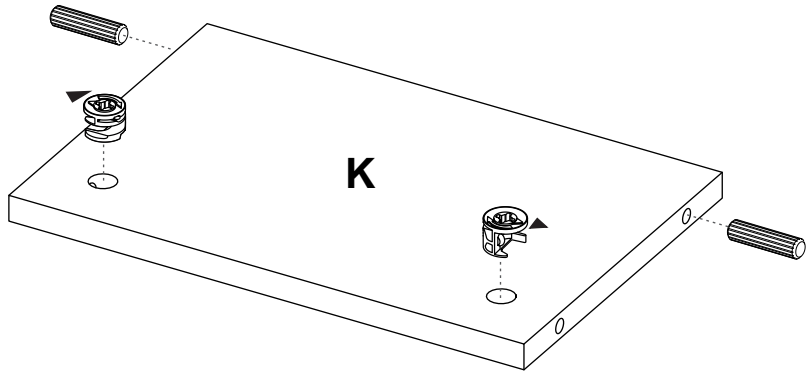


17

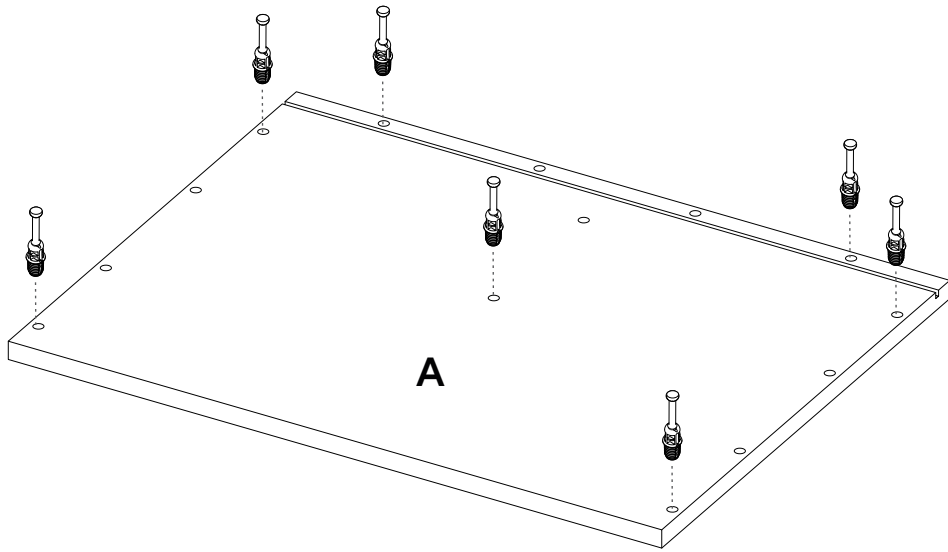
Gently hit to adjust.



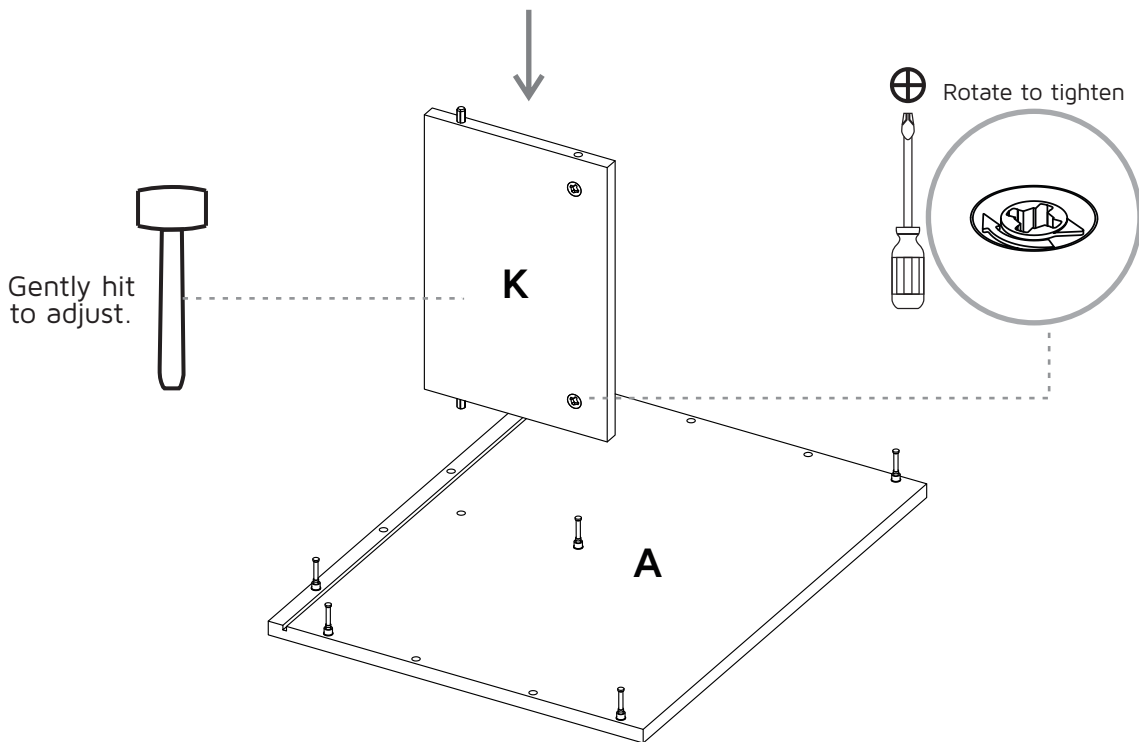
18



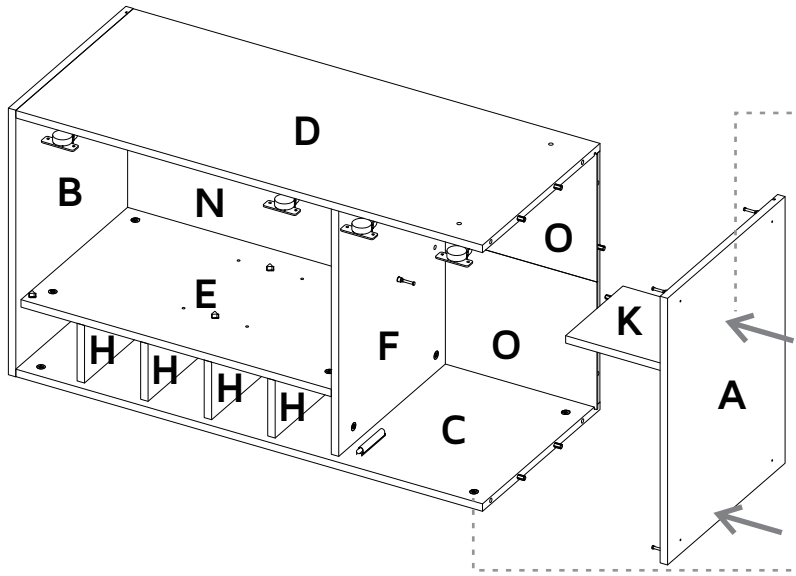
19



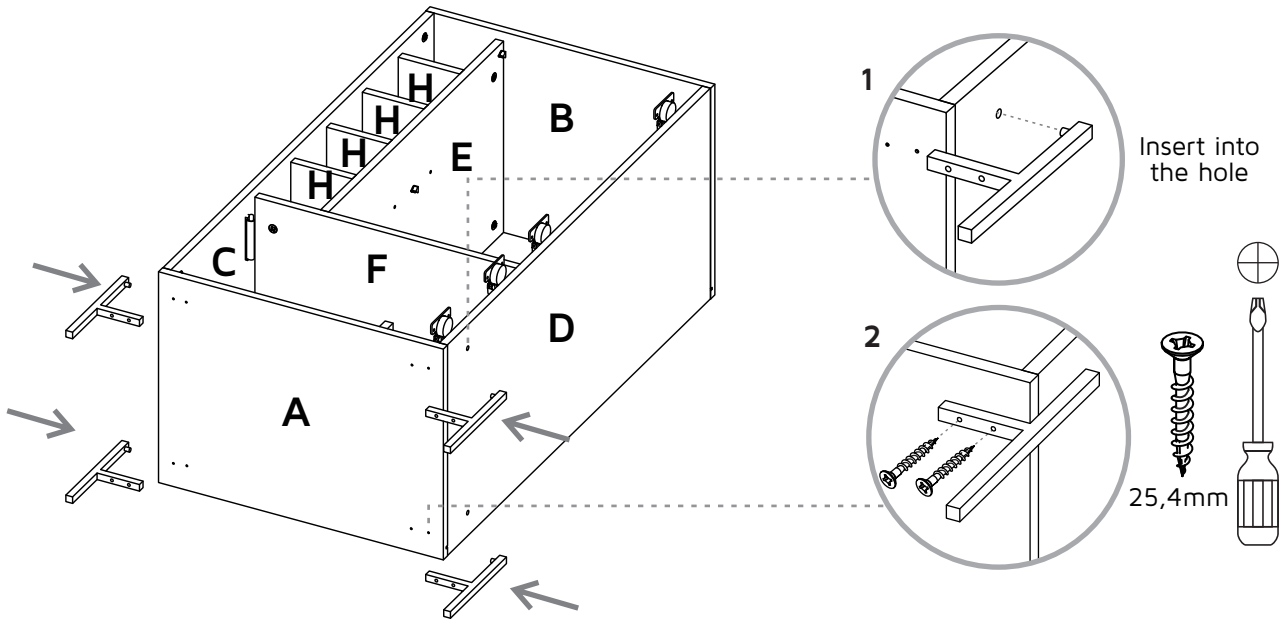
20



21

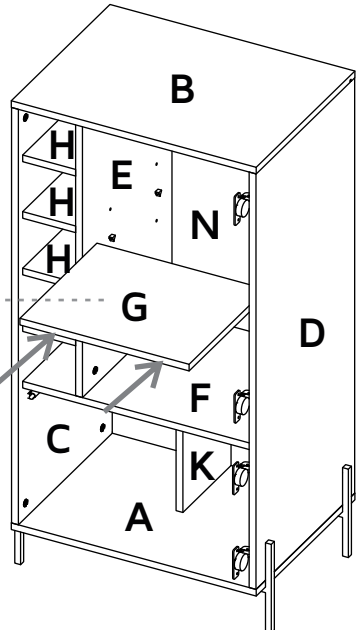


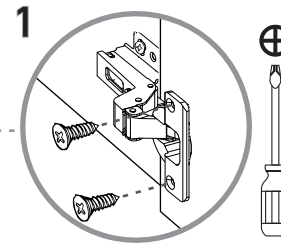
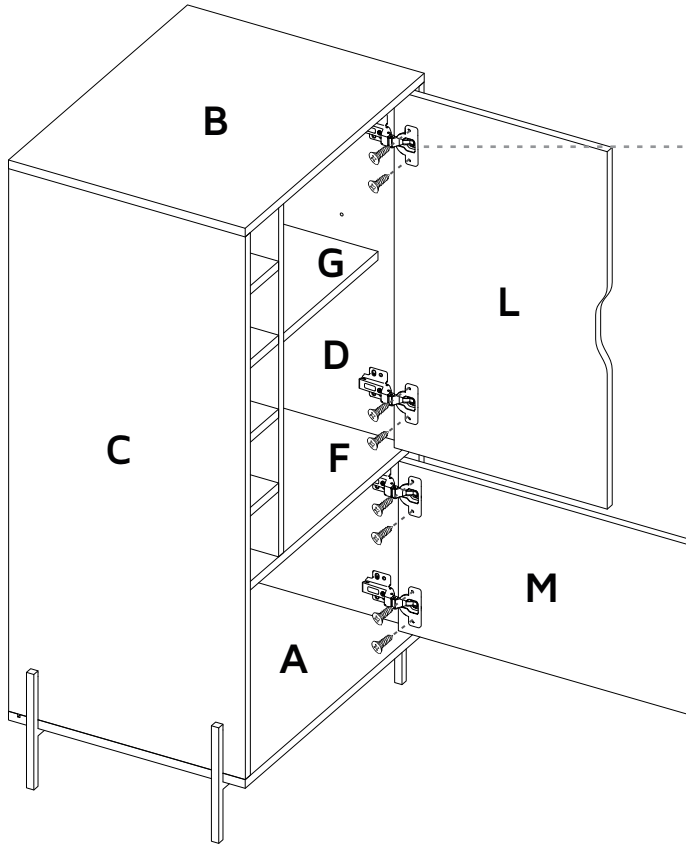
22



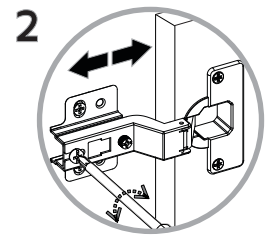
23

Slide the shelf inside the cabinet.

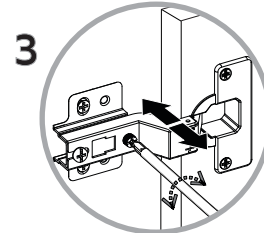




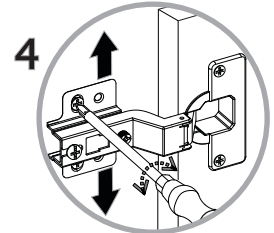
Hinge adjustment



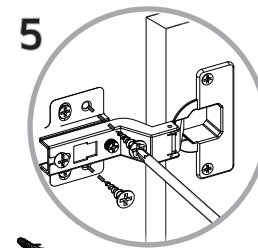
Depth adjustment



Side adjustment



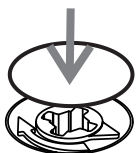
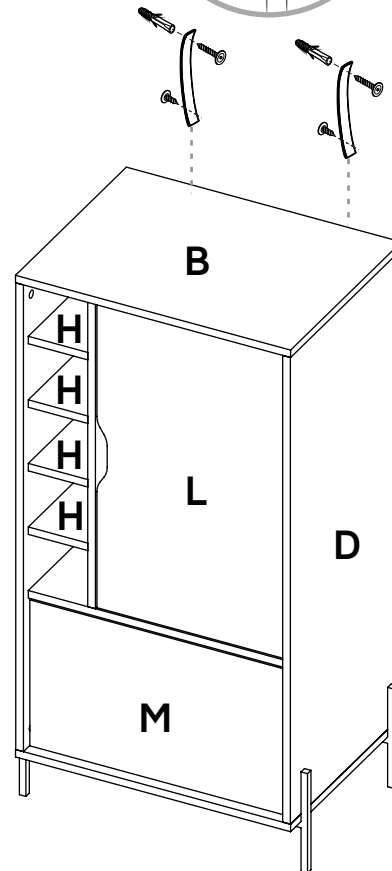
Height adjustment



Secure Hinge

-WARNING! TIPPING HAZARD - Unanchored furniture can tip over
-WARNING: CHECK FOR HIDDEN PIPES AND CABLES BEFORE DRILLING.
-IMPORTANT: IF YOUR WALLS ARE NOT SOLID LIKE BRICK OR STONE, YOU WILL REQUIRE SPECIALIST FITTINGS (NOT SUPPLIED)

- Pre-drill small pilot hole on the back edge of the furniture top using a 2mm drill bit. Attach the other end of the fixing strip to the back edge of the furniture top using the 15mm screw + washer and securely tighten.
- Place fixing strip against the wall and mark position for drilling hole.
- Drill hole in your wall to a depth of 30mm using a 6mm drill bit. If the surface of your wall is soft and crumbly, we would advise you to use a 5mm drill bit for a tighter fit.
- Insert plug into hole with end flush to the wall surface.
- Attach fixing strip to the wall using the 25mm screw + washer and securely tighten.



After you finish the adjustment of the cams, cover them with the cover caps.

A

After you finish assembling the cabinet, take off the adhesive letters.