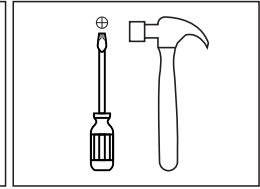
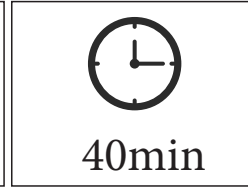
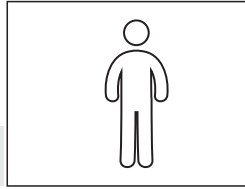


REF. LD208

1 drawer compact bedside cabinet



PLEASE USE THESE ASSEMBLY INSTRUCTIONS

Thank you for choosing this furniture.

BEFORE YOU START ASSEMBLY please store the carton at room temperature for 48 hours or more so the contents can acclimatise.

PLEASE RETAIN ALL PACKING UNTIL YOU HAVE COMPLETED ASSEMBLY.

Information about your furniture.

This furniture has been manufactured from surface coated wood based manufactured boards.

Caring for your furniture.

Extreme temperature can cause slight movements in the board material so please avoid placing your furniture close to radiators or other sources of heat.

Please avoid exposing your furniture to continued bright sunlight as this can affect the colour,

any fluid spills should be removed as quickly as possible

Always lift your furniture when moving as dragging may cause damage to your furniture or flooring.

Use mats or coasters to help protect against heat.

Do not stand on your furniture .

Aftercare.

Wipe all surfaces with a dry cloth and the occasional use of a normal household furniture Polish, do not use detergents or chemicals on your furniture.

After assembly remove any visible component identification stickers, these should remove easily however any remaining adhesive residue can be removed with a label adhesive removal liquid available from most DIY or hardware stores.

For models with drawers we also recommend you use a household spray polish or curtain track spray on the drawer runner tracks. Please do not use any wax based products, chemicals or detergents on this furniture.

Regularly check all fixings to ensure they are tight.

BEFORE YOU START ASSEMBLY

Please check that you have all the correct parts and fittings as detailed on the assembly instructions.

We recommend that you build your furniture on top of a soft clean cover to ensure the unit does not get marked or damaged during assembly.

FOR DAMAGED/REPLACEMENT PARTS

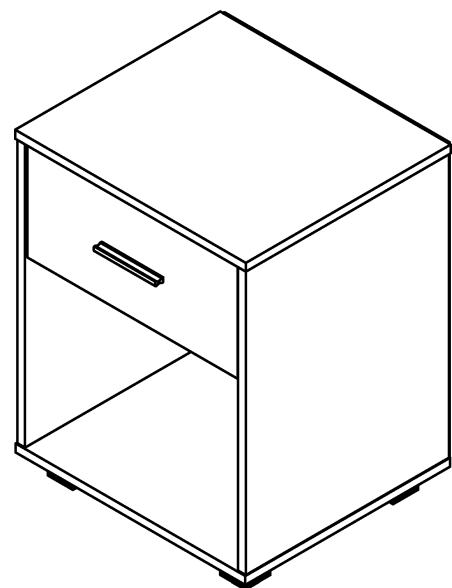
Please visit

www.coreproducts.co.uk/parts

BATCH NUMBER

7262

Height:530mm
Width:300mm
Depth:300 mm



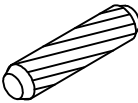

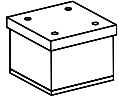
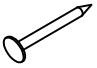
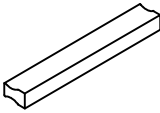

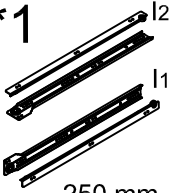
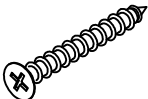


PLEASE RETAIN THIS LEAFLET ALONG WITH YOUR DELIVERY

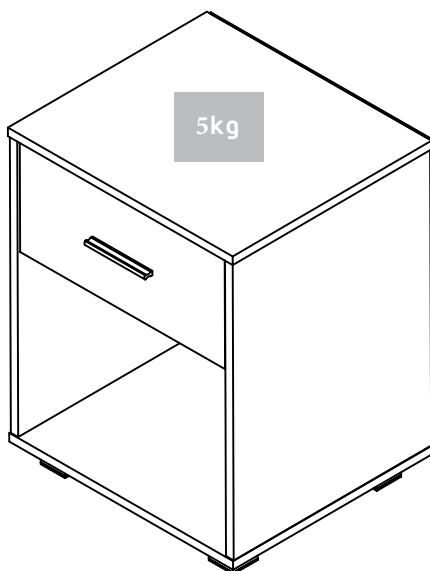
NOTE / RECEIPT FOR FUTURE REFERENCE.

FULLY INSPECT ALL PARTS BEFORE YOU START ASSEMBLY

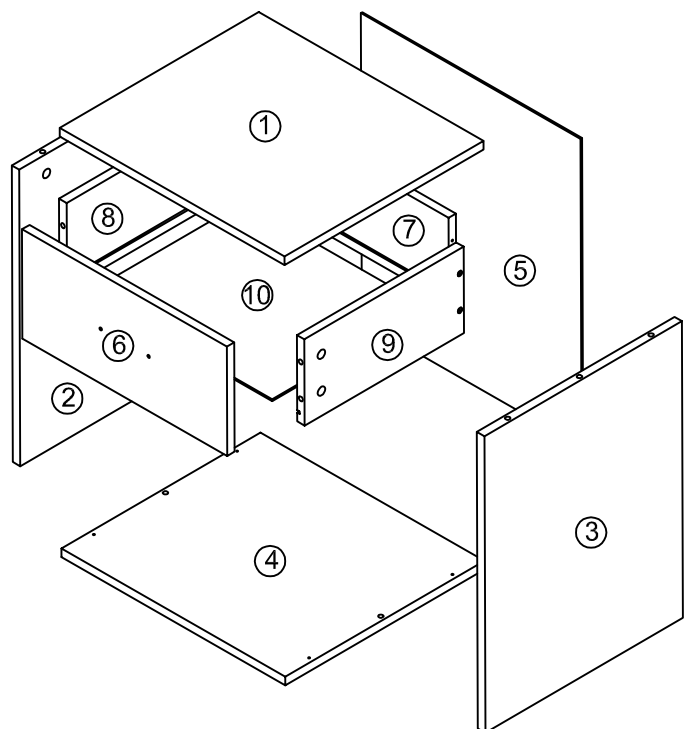
ASSEMBLY HARDWARE

A*8  40 mm	B*8  15*9 mm	C*4  8*40 mm	D*24  3.5*14 mm	E*4 
F*12 	G*1 	H*2  18 mm	I*1  250 mm	J*8  3.5*35 mm

MAX SUGGESTED LOADS



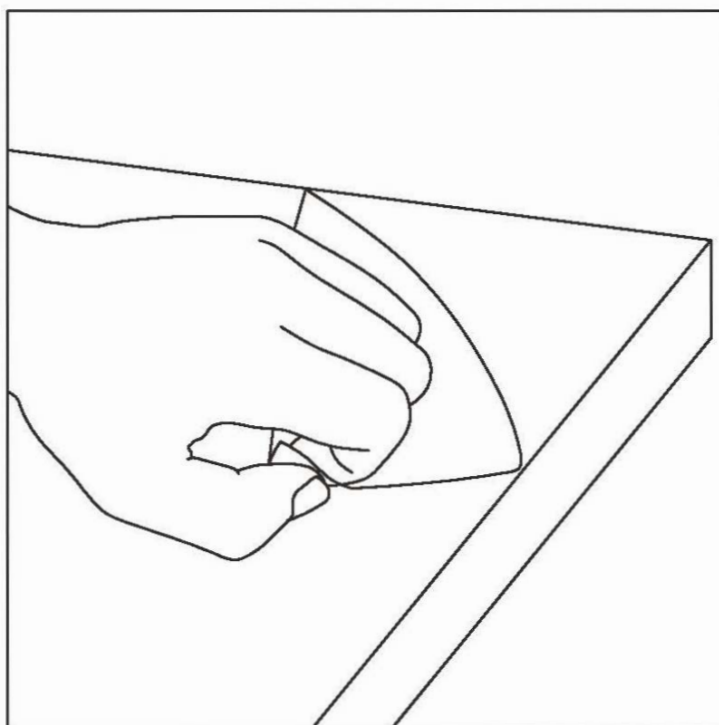
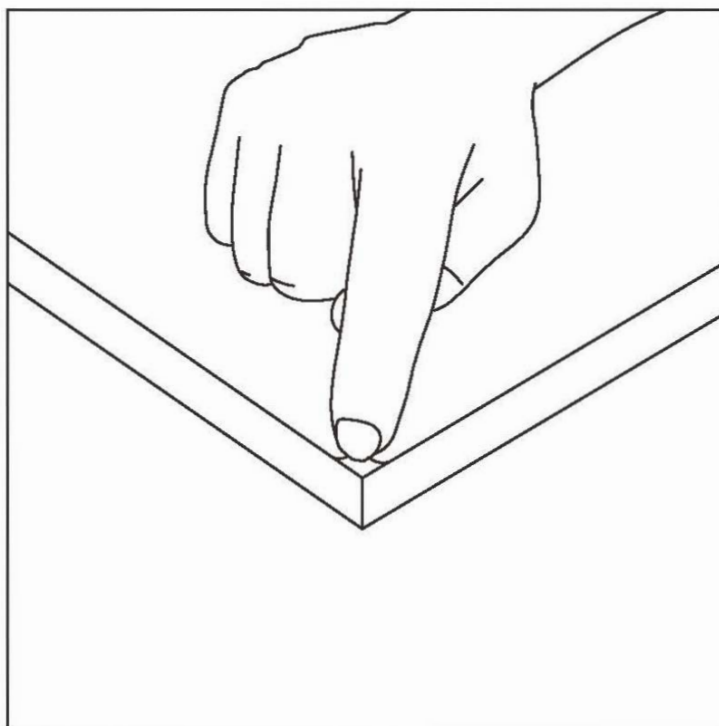
ASSEMBLY PARTS



IMPORTANT NOTICE


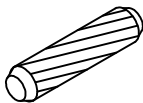
BEFORE YOU START ASSEMBLY

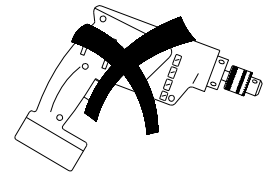
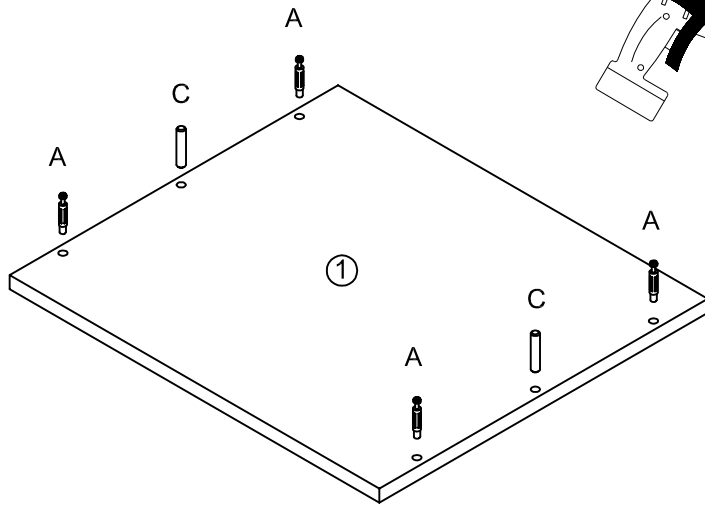
REMOVE ALL PROTECTIVE FILMS FROM COMPONENTS




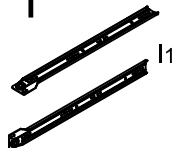
ONCE FILM IS REMOVED FULLY INSPECT ALL PARTS BEFORE YOU START ASSEMBLY

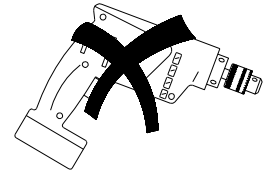
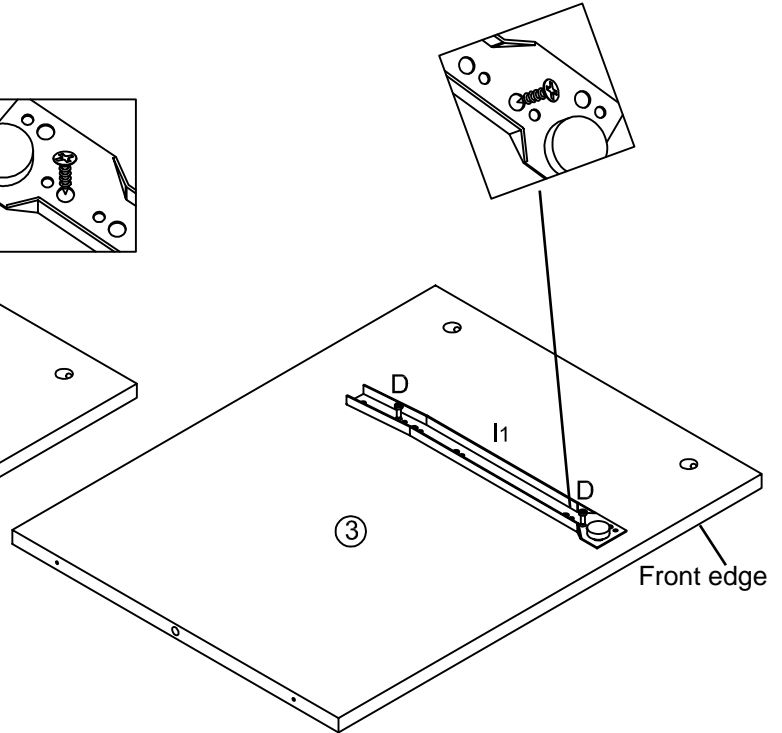
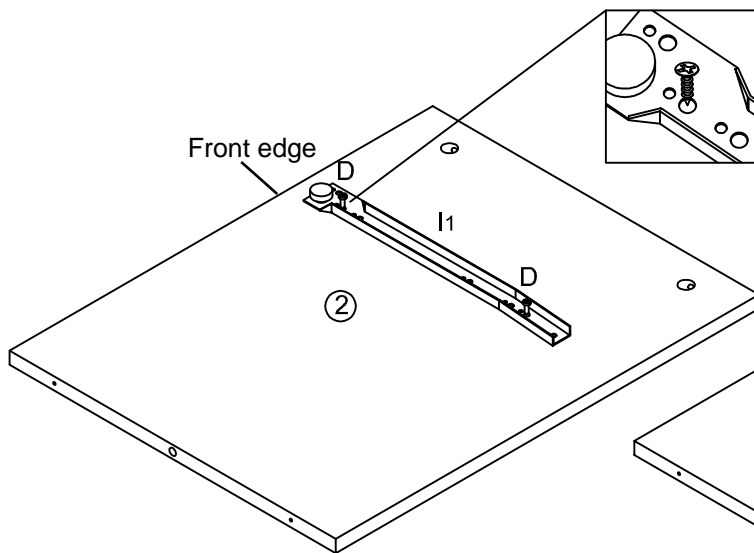
2

<p>A*4</p>  <p>40 mm</p>
<p>C*2</p>  <p>8*40 mm</p>

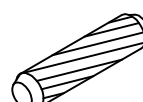


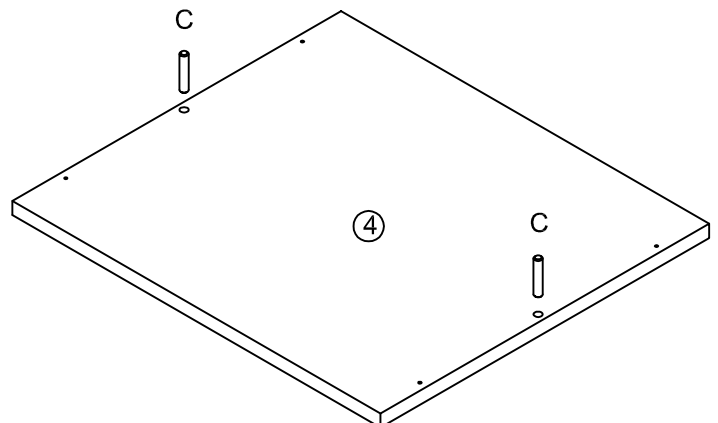
3

<p>D*4</p>  <p>3.5*14 mm</p>	<p>I*1</p>  <p>250 mm</p>
--	---



4

<p>C*2</p>  <p>8*40 mm</p>
--

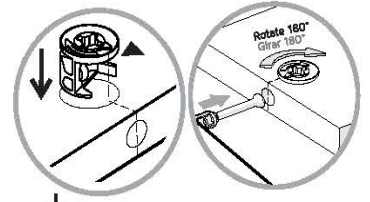
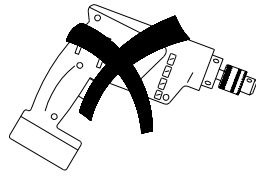


5

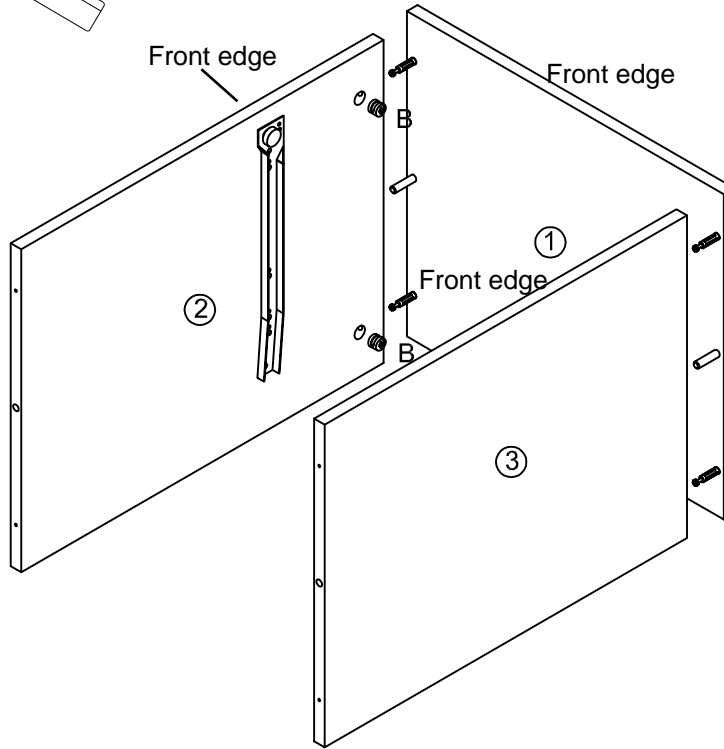
B*4



15*9 mm

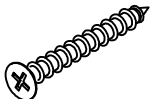


Turn minifix cams to the right to tighten.

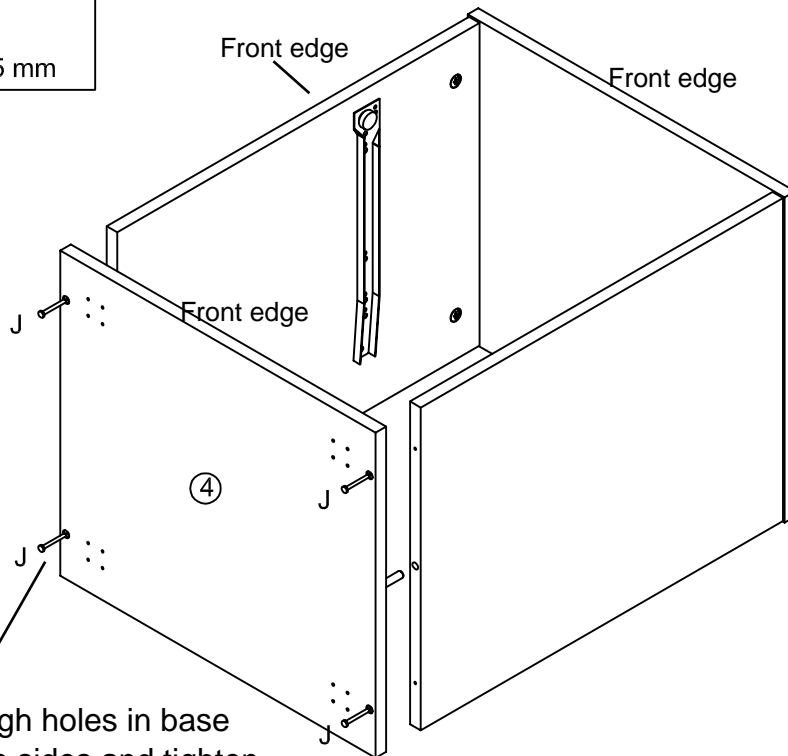
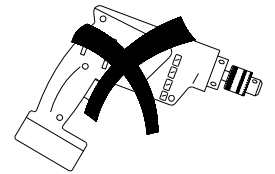


6

J*4

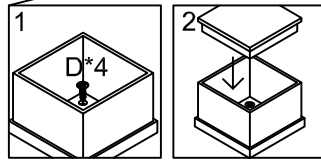
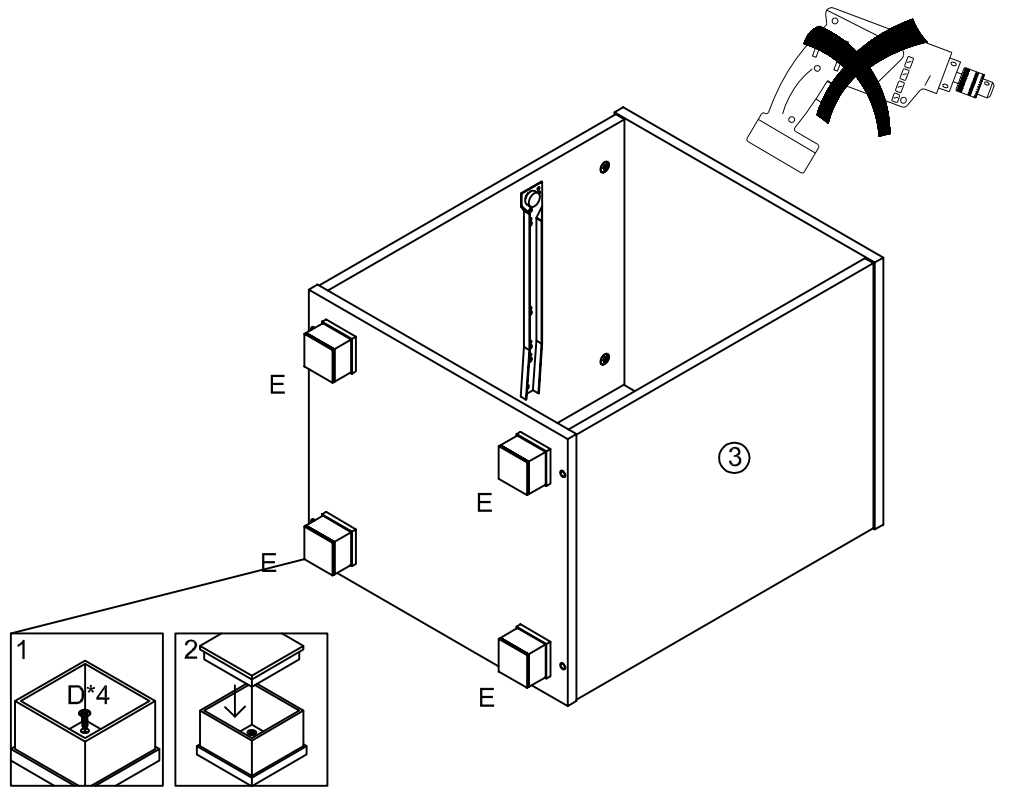
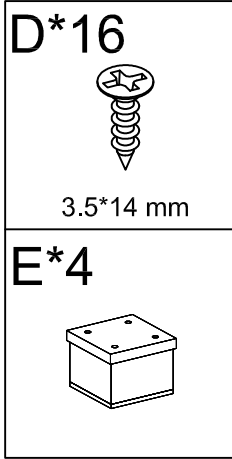


3.5*35 mm

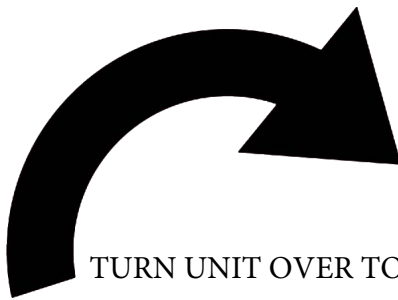
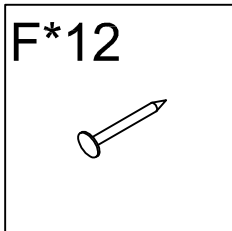


Insert all screws through holes in base into pre-drilled holes in sides and tighten.

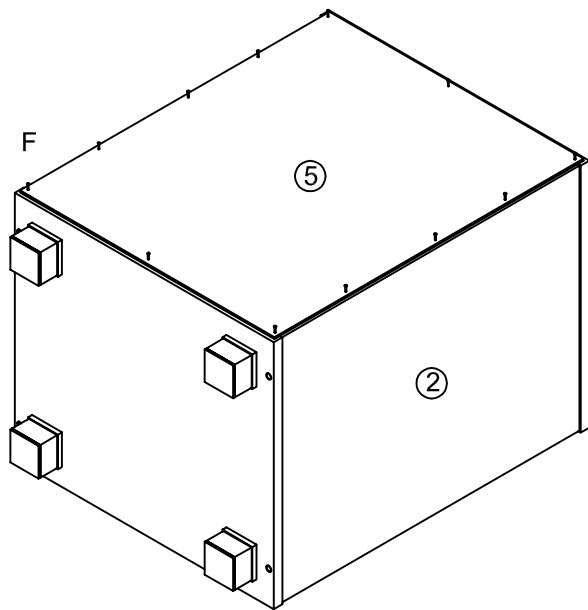
7



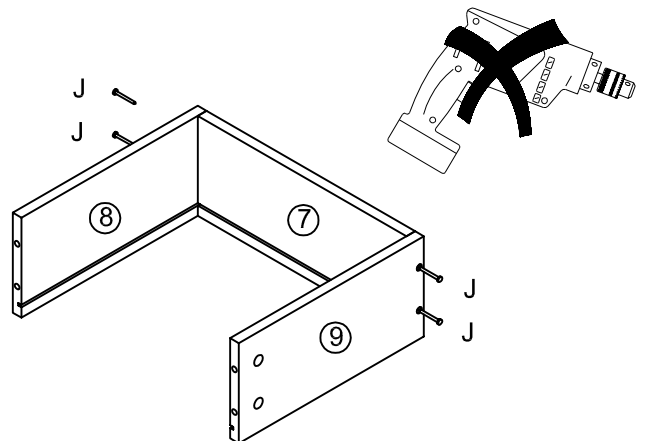
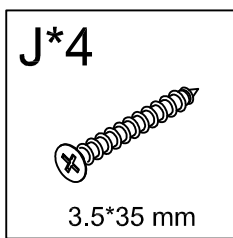
8



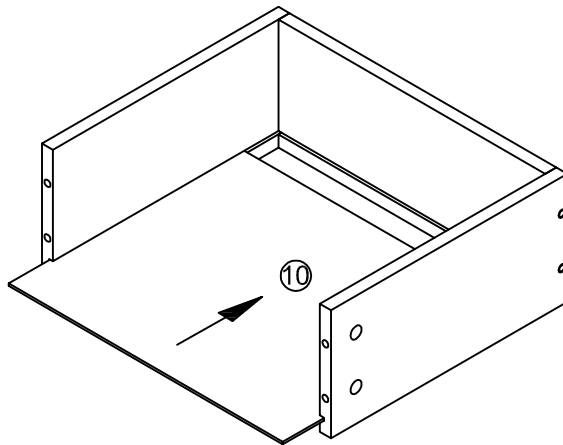
TURN UNIT OVER TO FIX BACK



9



10



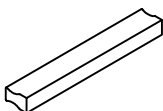
11

A*4

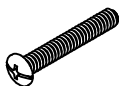


40 mm

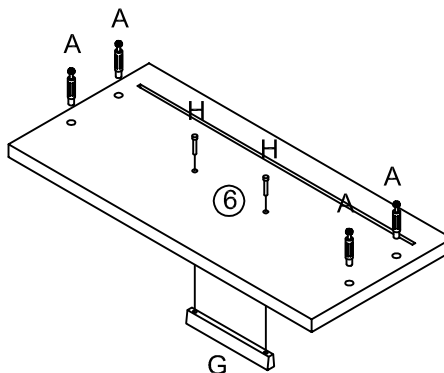
G*1



H*2



18 mm

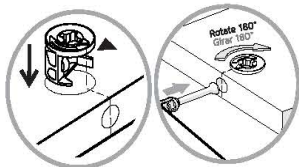


12

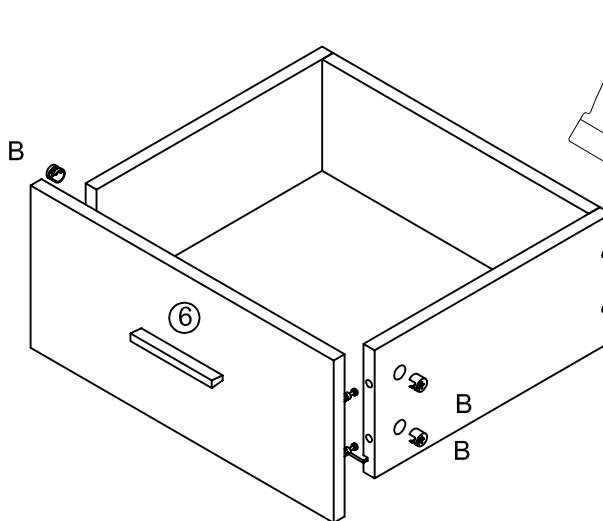
B*4



15*9 mm



Turn minifix cams to the right to tighten.



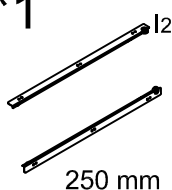
13

D*4

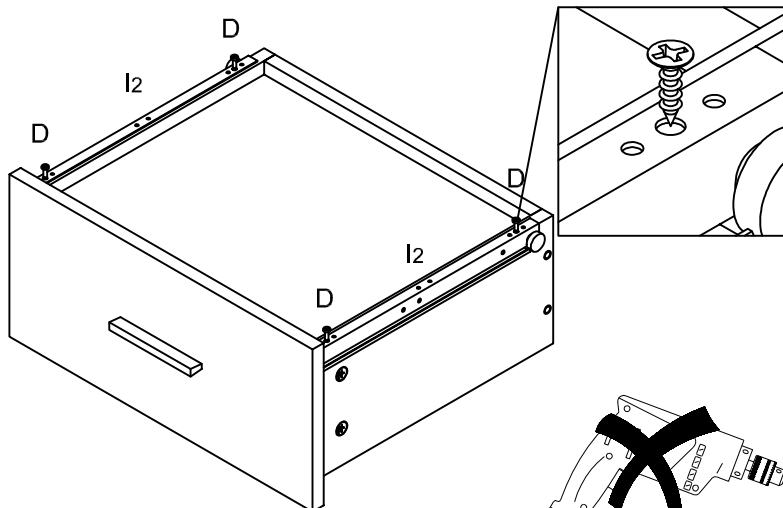


3.5*14 mm

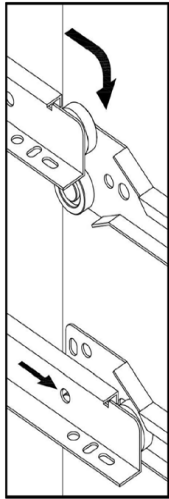
I*1



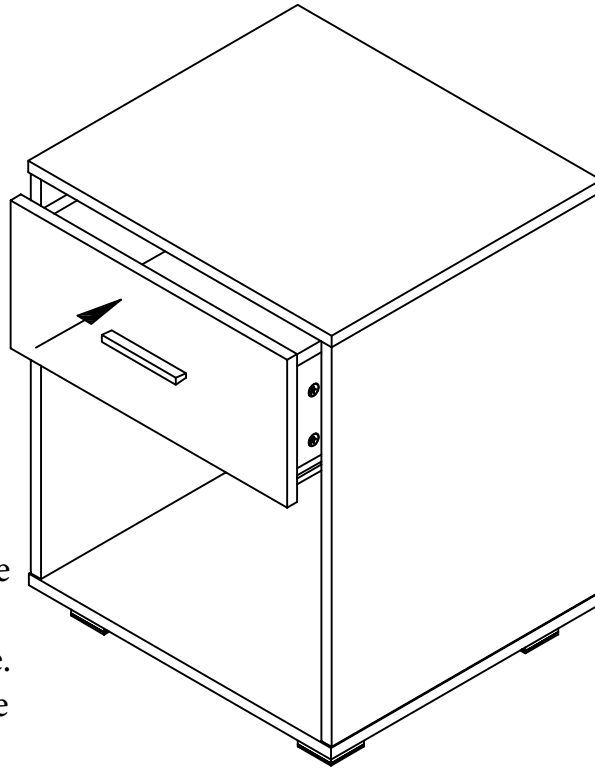
250 mm



14



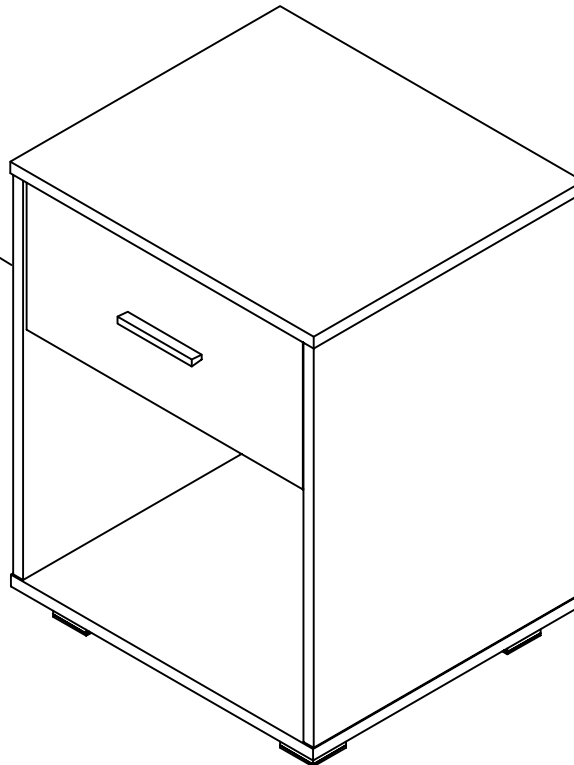
Angle the drawer slightly to ensure that the wheel at the back of the drawer slide goes behind the front wheel on the cabinet slide. Then lift the drawer up and slide it into the channel of the drawer slide.



15

1

After you finish assembling the cabinet, take off the adhesive numbers on the parts' edge.



To avoid the risk of this unit falling forwards, especially in environments with children or uneven floors we recommend that this item is attached to your wall using appropriate fittings (not supplied).