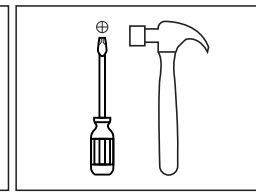
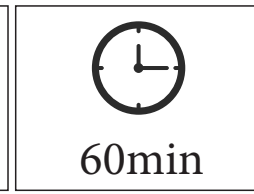
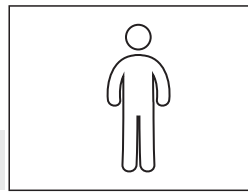


REF. LD214



4 drawer wide chest

PLEASE USE THESE ASSEMBLY INSTRUCTIONS

Thank you for choosing this furniture.

BEFORE YOU START ASSEMBLY please store the carton at room temperature for 48 hours or more so the contents can acclimatise.

PLEASE RETAIN ALL PACKING UNTIL YOU HAVE COMPLETED ASSEMBLY.

Information about your furniture.

This furniture has been manufactured from surface coated wood based manufactured boards.

Caring for your furniture.

Extreme temperature can cause slight movements in the board material so please avoid placing your furniture close to radiators or other sources of heat.

Please avoid exposing your furniture to continued bright sunlight as this can affect the colour, any fluid spills should be removed as quickly as possible

Always lift your furniture when moving as dragging may cause damage to your furniture or flooring.

Use mats or coasters to help protect against heat.

Do not stand on your furniture .

Aftercare.

Wipe all surfaces with a dry cloth and the occasional use of a normal household furniture Polish, do not use detergents or chemicals on your furniture.

After assembly remove any visible component identification stickers, these should remove easily however any remaining adhesive residue can be removed with a label adhesive removal liquid available from most DIY or hardware stores.

For models with drawers we also recommend you use a household spray polish or curtain track spray on the drawer runner tracks. Please do not use any wax based products, chemicals or detergents on this furniture.

Regularly check all fixings to ensure they are tight.

BEFORE YOU START ASSEMBLY

Please check that you have all the correct parts and fittings as detailed on the assembly instructions.

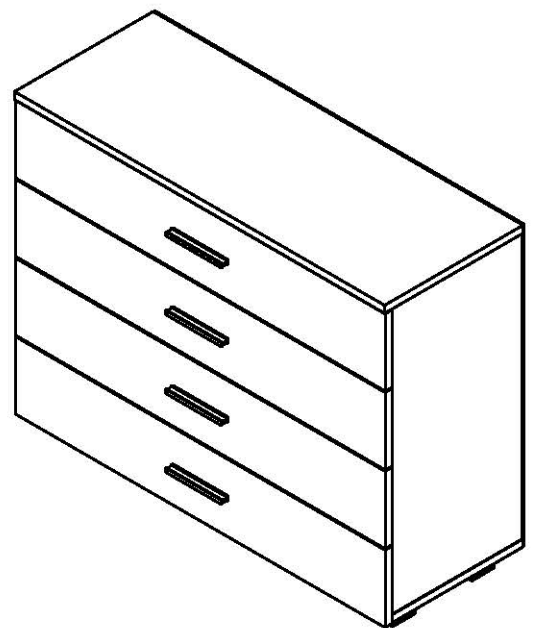
We recommend that you build your furniture on top of a soft clean cover to ensure the unit does not get marked or damaged during assembly.

FOR DAMAGED/REPLACEMENT PARTS Please visit

www.coreproducts.co.uk/parts

BATCH NUMBER **7262**



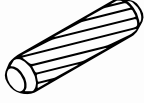


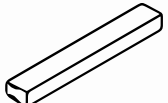

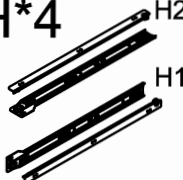

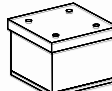
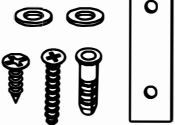
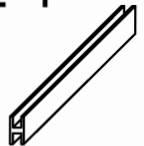
Height:643mm
Width:800mm
Depth:300 mm



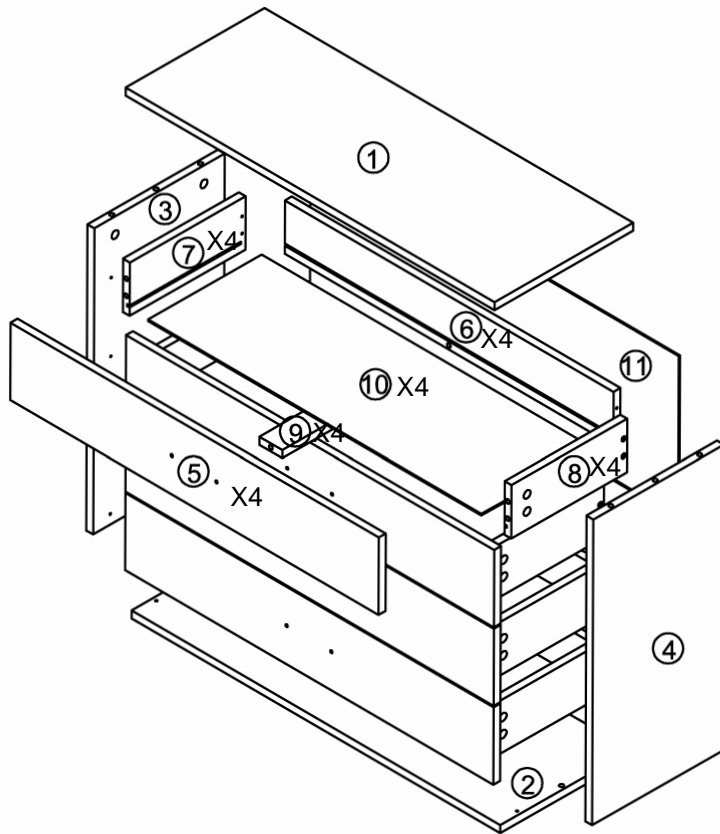
**PLEASE RETAIN THIS LEAFLET ALONG WITH YOUR DELIVERY
NOTE / RECEIPT FOR FUTURE REFERENCE.**

FULLY INSPECT ALL PARTS BEFORE YOU START ASSEMBLY

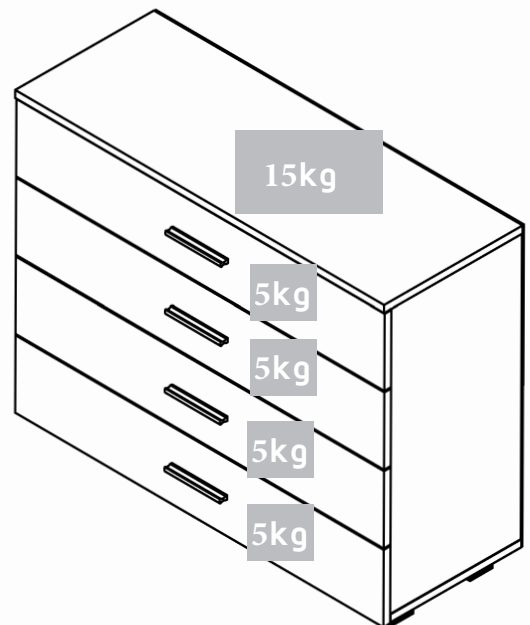
ASSEMBLY HARDWARE

A*20  40 mm	B*20  15 mm	C*12  8*40 mm	D*48  3.5*14 mm	E*18  	F*4 
G*8  3.5*18 mm	H*4  250 mm	I*20  3.5*35 mm	J*4  	K*2  	L*1 

ASSEMBLY PARTS



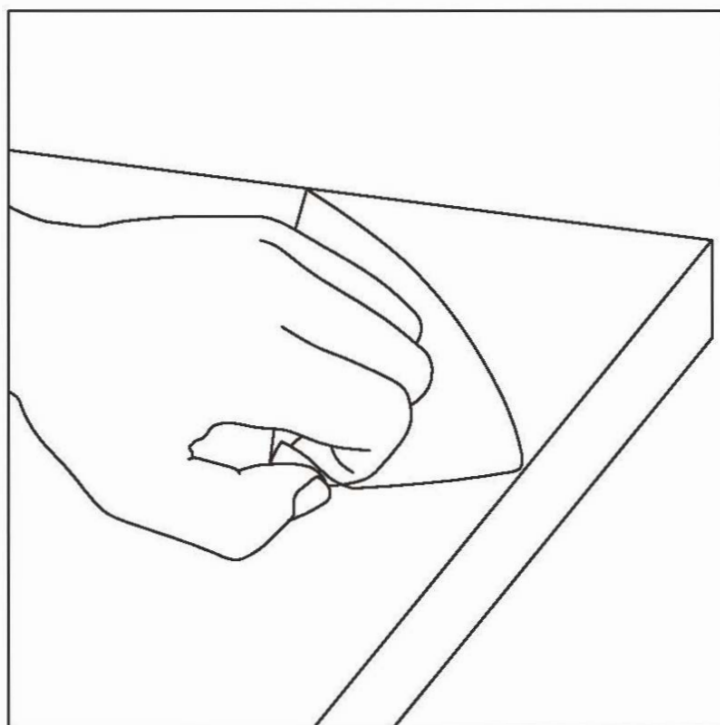
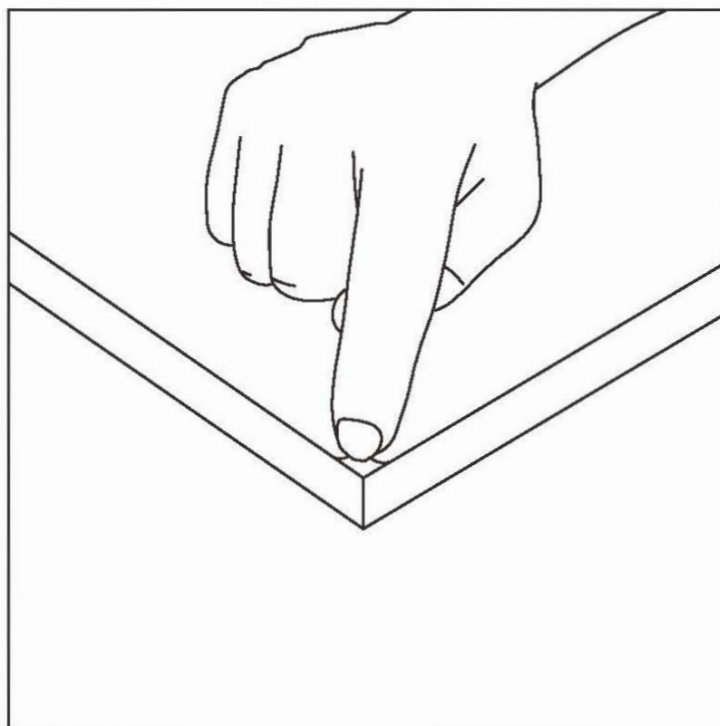
MAX SUGGESTED LOADS



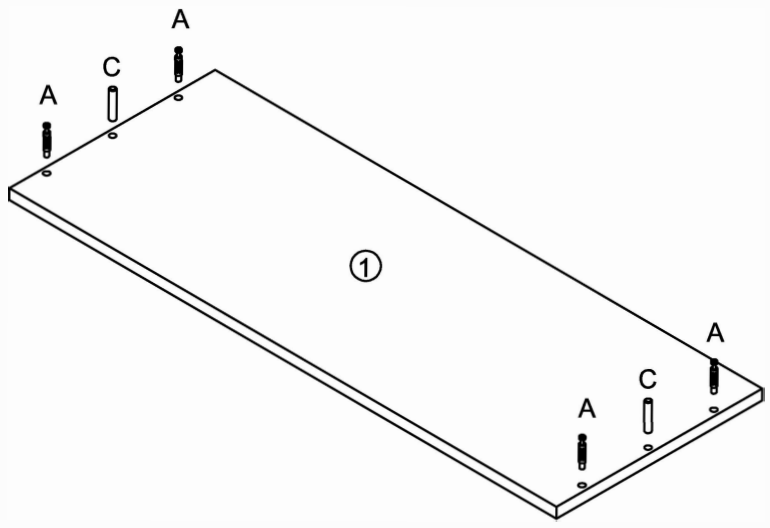
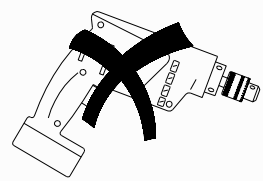
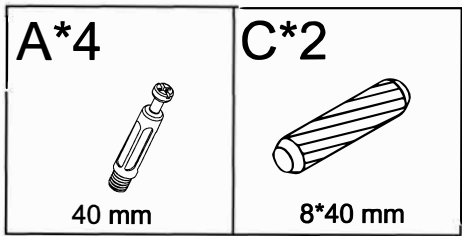
IMPORTANT NOTICE

AFTER YOU FINISH ASSEMBLY

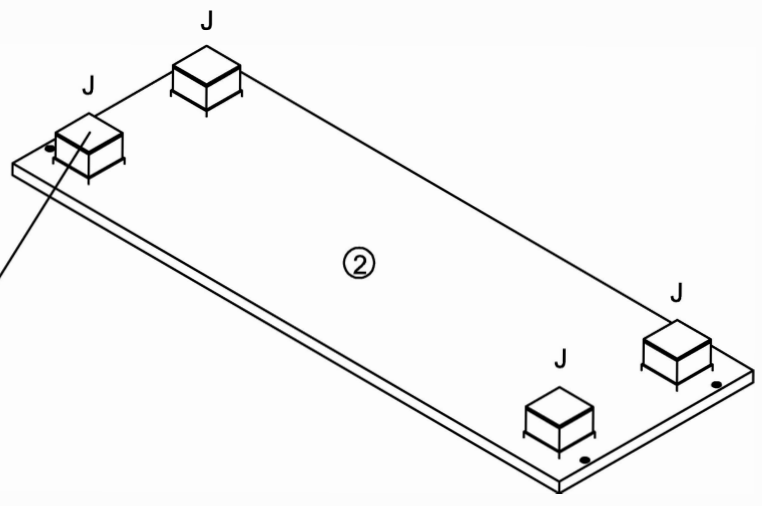
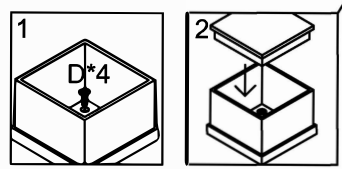
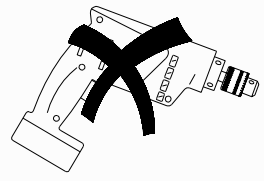
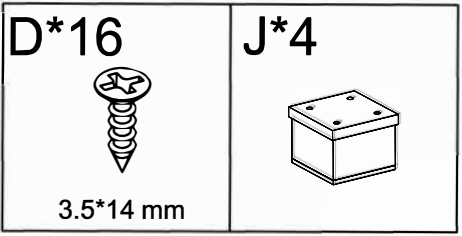
**PLEASE REMOVE THE PROTECTIVE FILMS FROM ALL MAIN COMPONENT SURFACES,
SUCH AS TOP, SIDES, DRAWER FRONTS AND DOORS.**



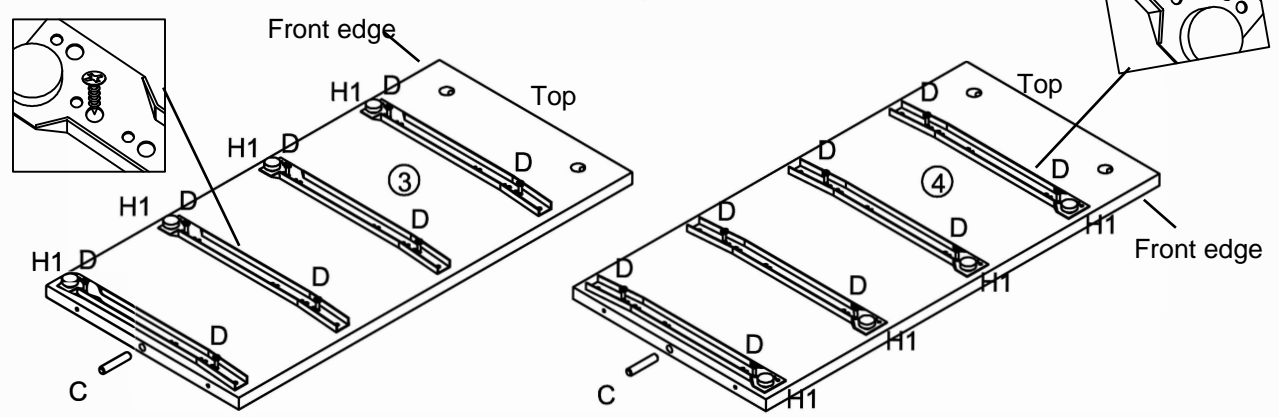
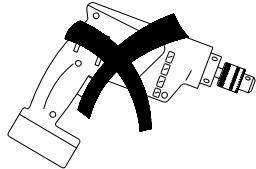
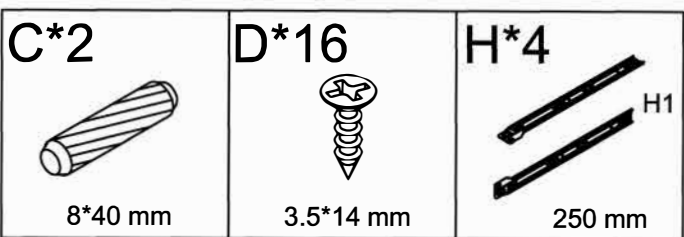
2



3




4

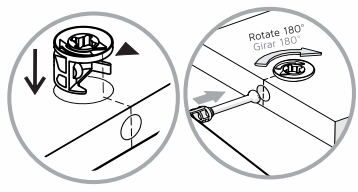


5

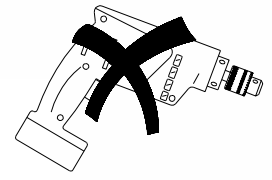
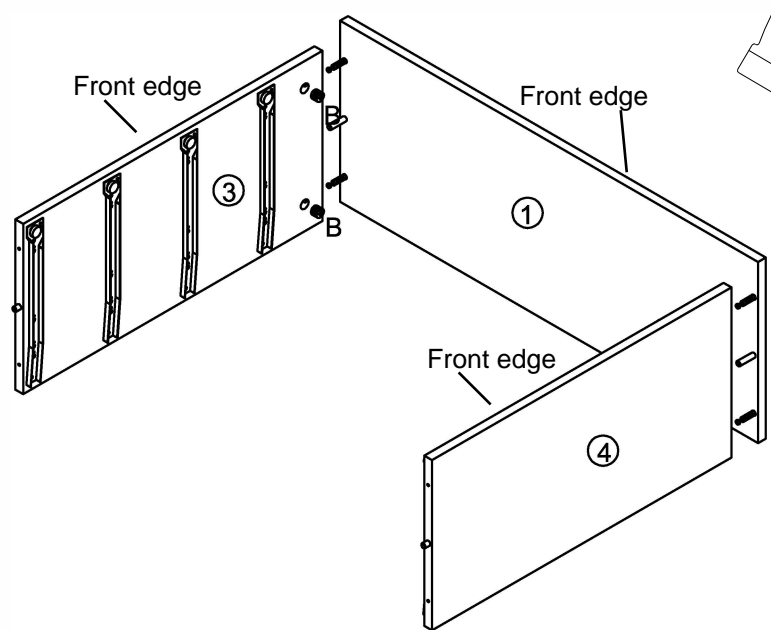
B*4



15 mm




Turn minifix cams to the right to tighten.

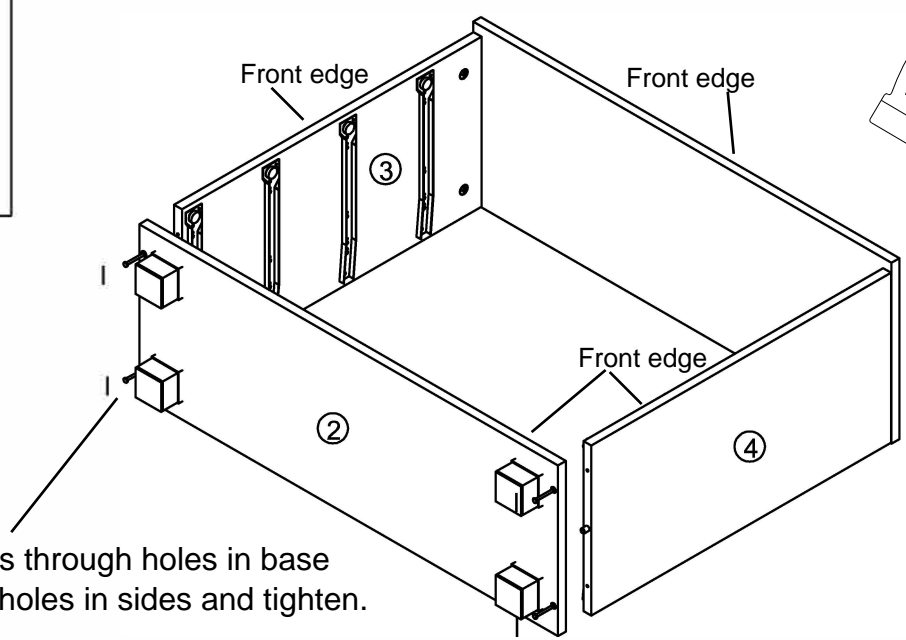


6

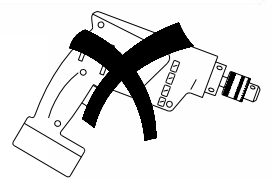
I*4



3.5*35 mm




Insert all screws through holes in base into pre-drilled holes in sides and tighten.

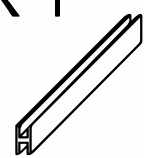
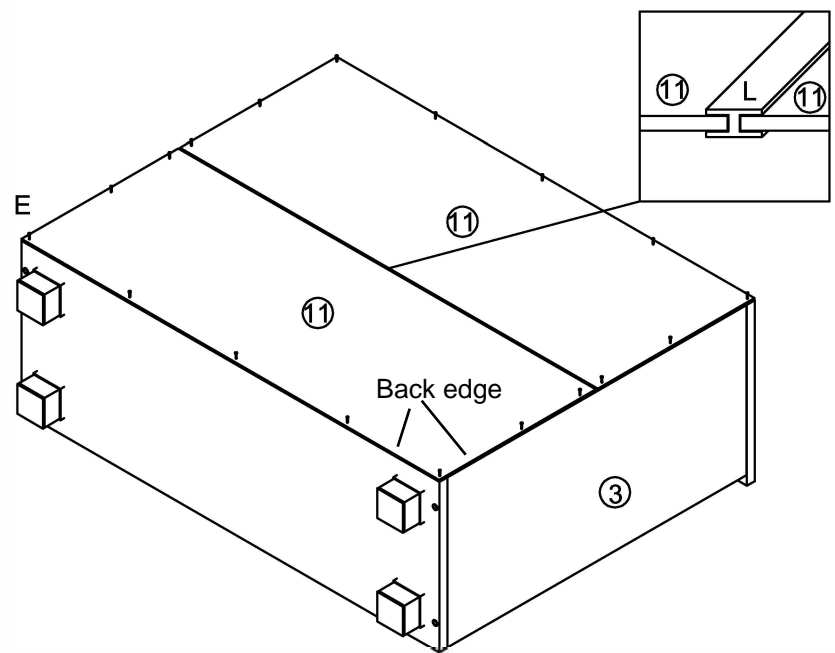


7

E*18



K*1

TURN UNIT OVER TO FIX BACK

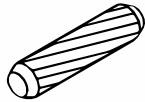
8

A*16



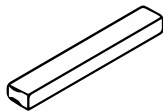
40 mm

C*8



8*40 mm

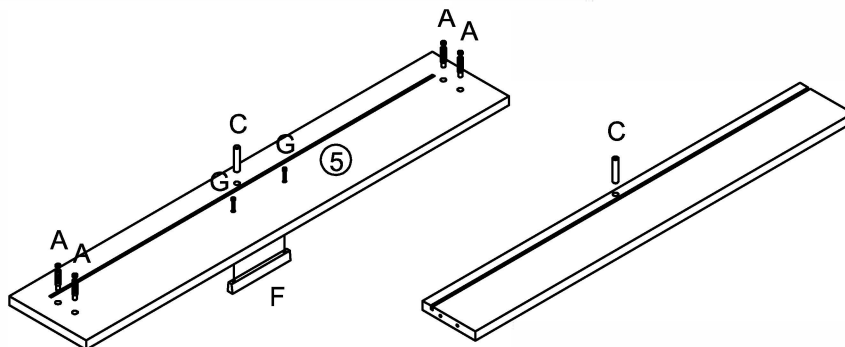
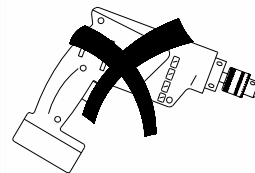
F*4



G*8



3.5*18 mm



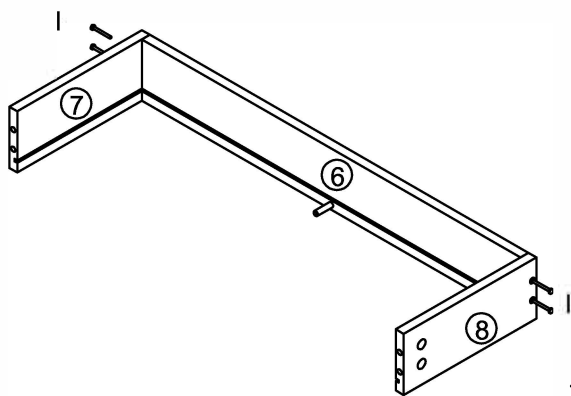
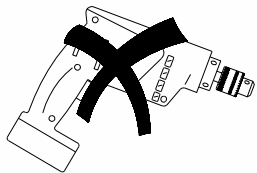
x4

9

I*16

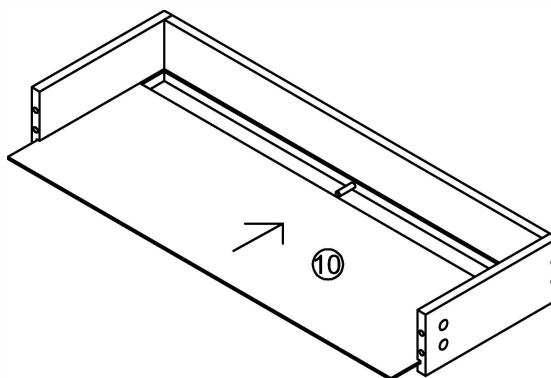


3.5*35 mm



x4

10



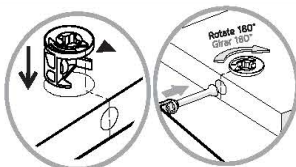
x4

11

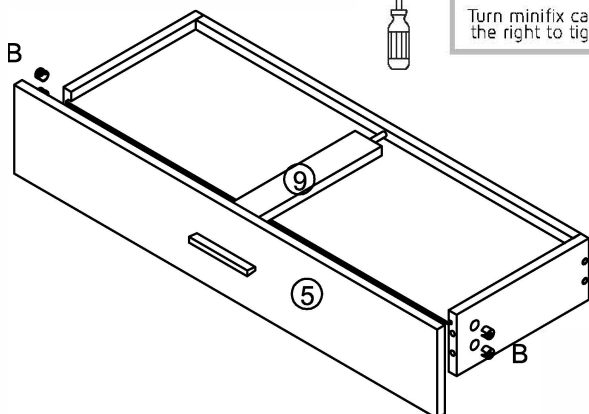
B*16



15 mm



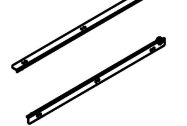
Turn minifix cams to the right to tighten.



x4

12

H*4

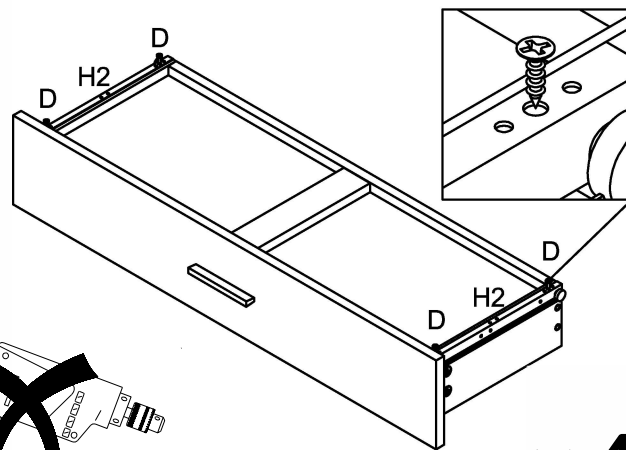


250 mm

D*16



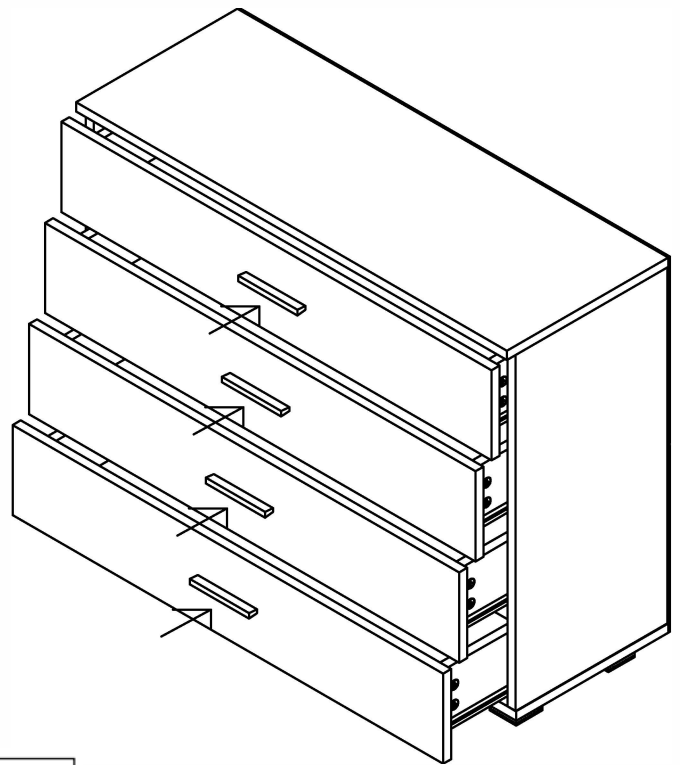
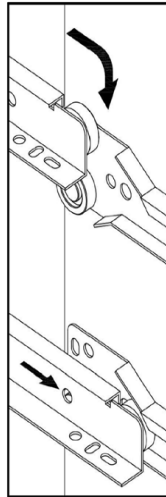
3.5*14 mm



x4

13

Angle the drawer slightly to ensure that the wheel at the back of the drawer slide goes behind the front wheel on the cabinet slide. Then lift the drawer up and slide it into the channel of the drawer slide.



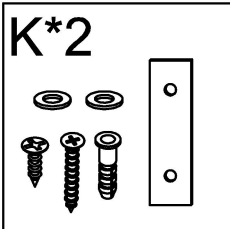
IMPORTANT NOTICE

Please avoid opening all drawers and doors simultaneously as this could cause your furniture to fall forwards.

Where there is a risk of this occurring, especially in environments with children or uneven floors.

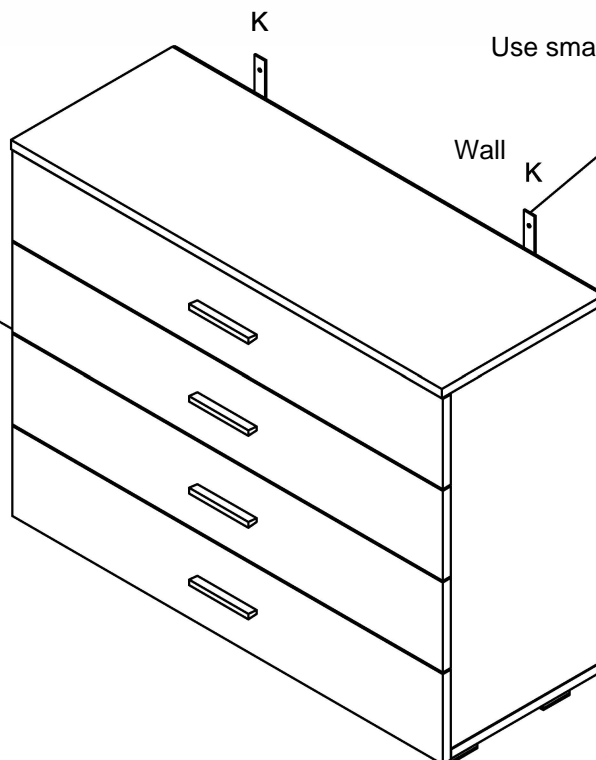
We recommend that this item is attached to your wall using the fittings supplied.

14

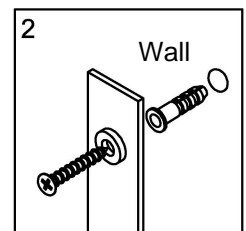
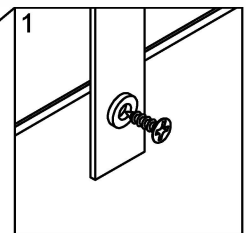


1

After you finish assembling the cabinet, take off the adhesive numbers on the parts' edge.



Use small screw to fix to back of unit



Use large screw to fix to wall

WARNING: CHECK FOR HIDDEN PIPES AND CABLES BEFORE DRILLING.

IMPORTANT: IF YOUR WALLS ARE NOT SOLID LIKE BRICK OR STONE, YOU WILL REQUIRE SPECIALIST FITTINGS(NOT SUPPLIED).

1. Pre-drill small pilot hole on the back edge of the furniture top using a 2mm drill bit.
Attach the other end of fixing strip to the back edge of the furniture top using the small 14mm screw + washer and securely tighten.
2. Place fixing strip against the wall and mark the position for drilling holes.
3. Drill holes in your wall to a depth of 40mm using a 6mm drill bit. If the surface of your wall is soft and crumbly, we would advise you to use a 5mm drill bit for a tighter fit.
4. Insert plug into hole with end flush to the wall surface. If it is hard to insert, a hammer could be used to help.
5. Attach fixing strip to the wall using the large 35mm screw + washer and securely tighten.