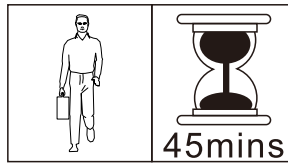
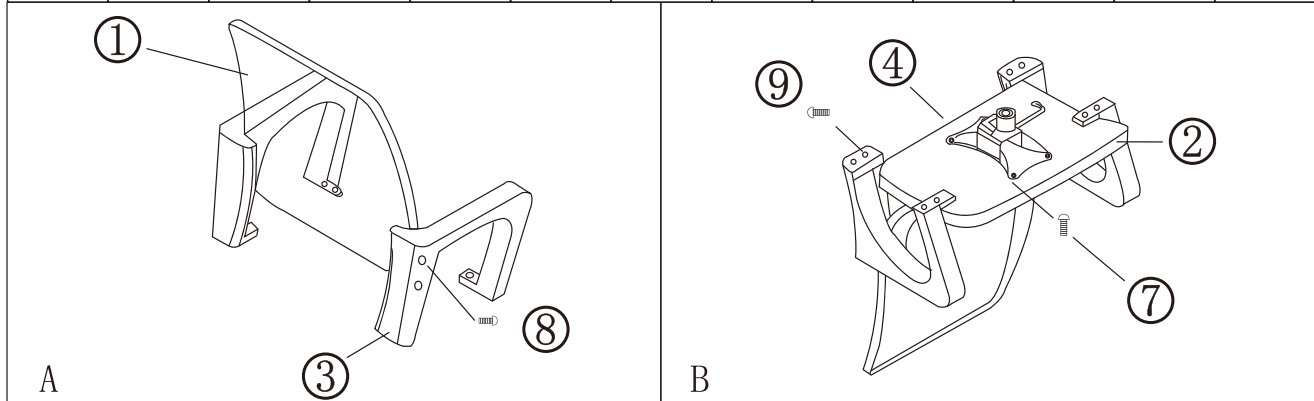


# LFCH24-BK

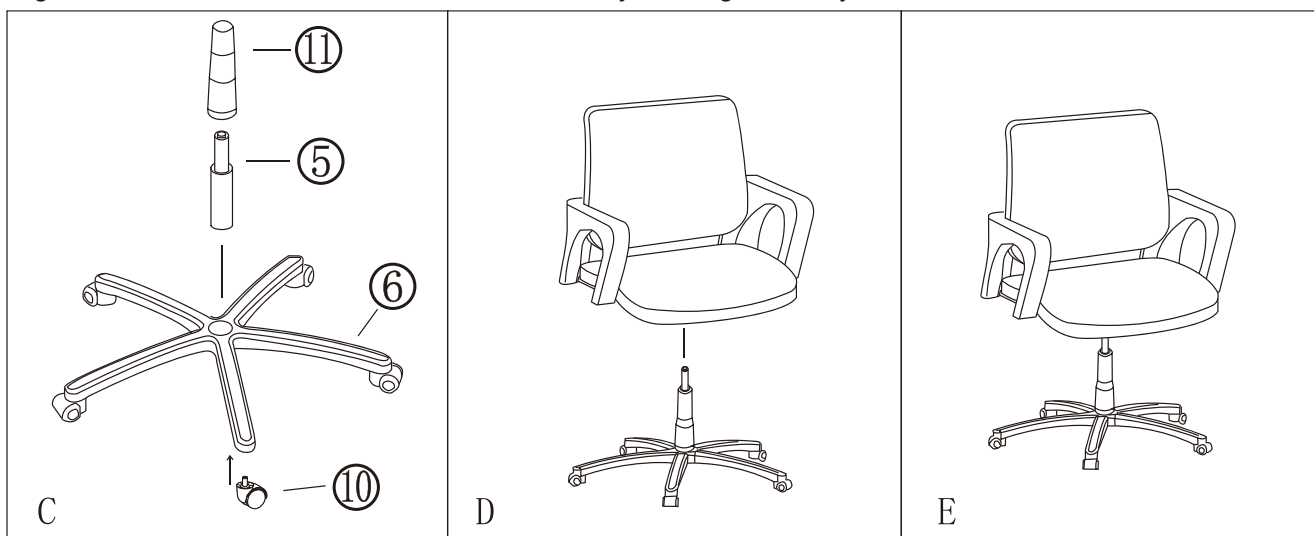


**PLEASE RETAIN ALL PACKING UNTIL YOU HAVE COMPLETED ASSEMBLY.**

|       | 1 | 2 | 3 | 4 | 5 | 6 | 7 | 8 | 9 | 10 | 11 | 12 |
|-------|---|---|---|---|---|---|---|---|---|----|----|----|
| Parts |   |   |   |   |   |   |   |   |   |    |    |    |
| QTY   | 1 | 1 | 2 | 1 | 1 | 1 | 4 | 4 | 8 | 5  | 1  | 1  |



when inserting bolts 8 (step A) and bolts 9 (step B) we recommend that you leave these loosely tightened until all bolts have been inserted, only then tighten fully.



**Notes for installation:** Place **ALL** screws into the appropriate position and then tighten. **DO NOT** place and tighten one by one. If the chair comes with plastic caps, place over screws to cover holes.

## PREVENTIVE MAINTENANCE AND WARNING

- ONLY FOR SEATING ONE PERSON AT A TIME
- DO NOT USE CHAIR AS STEP STOOL OR LADDER
- DO NOT USE CHAIR UNLESS ALL BOLTS AND SCREWS ARE TIGHT.
- AT LEAST EVERY SIX MONTHS CHECK ALL BOLTS AND SCREWS TO BE SURE THEY ARE TIGHT.
- IF ANY PARTS ARE MISSING, BROKEN, DAMAGED OR WORN, STOP USING THE PRODUCT UNTIL REPAIRS ARE MADE WITH FACTORY AUTHORISED PARTS.
- FAILURE TO FOLLOW THESE WARNINGS CAN RESULT IN SERIOUS INJURY

## BEFORE YOU START ASSEMBLY

Please check that you have all the correct parts and fittings as detailed in the Parts List above.

In the unlikely event that you require to order spare parts please refer to your delivery note for details of how to order on our Parts Website.

[www.coreproducts.co.uk/parts](http://www.coreproducts.co.uk/parts)

BATCH NUMBER **GOLD7052**

For further advice you can telephone 01738 630555

**PLEASE RETAIN THIS INSTRUCTION LEAFLET FOR FUTURE REFERENCE.**