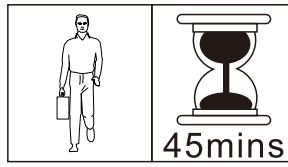
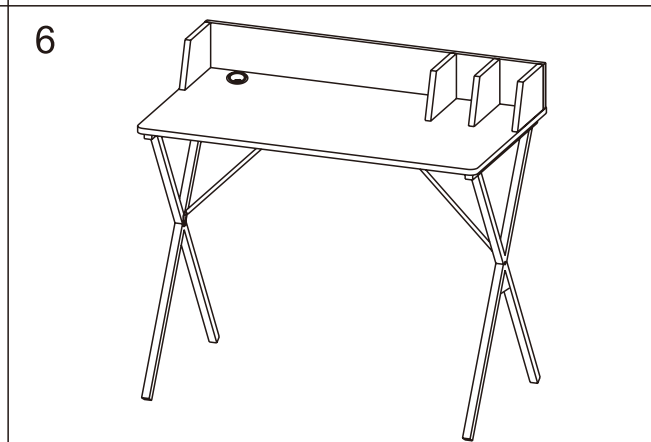
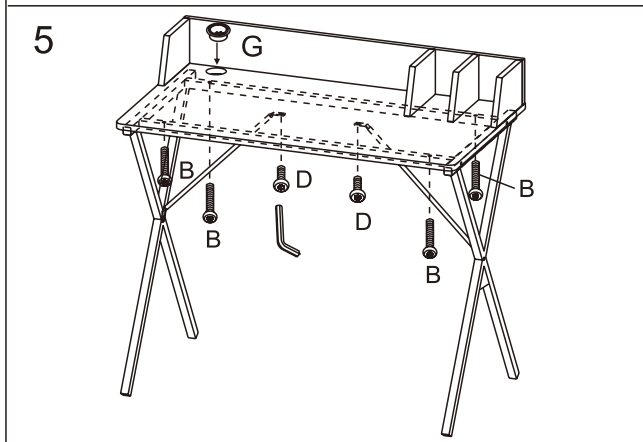
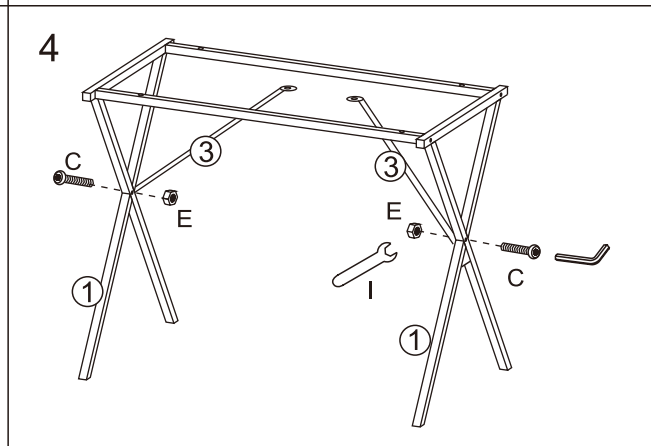
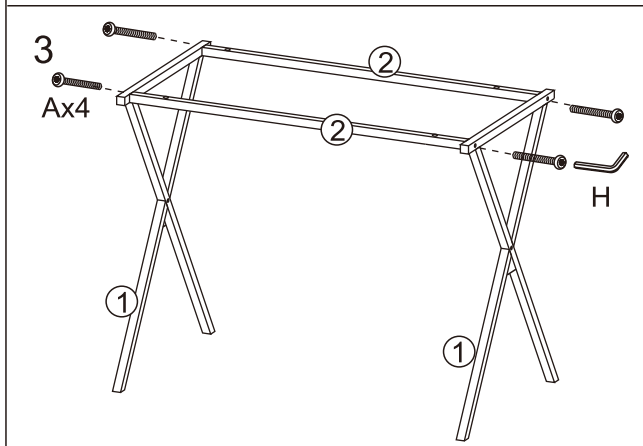
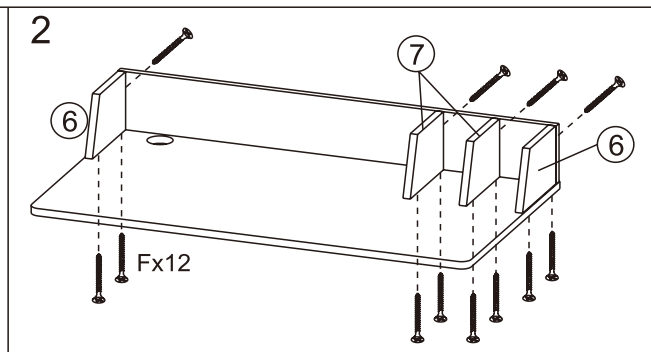
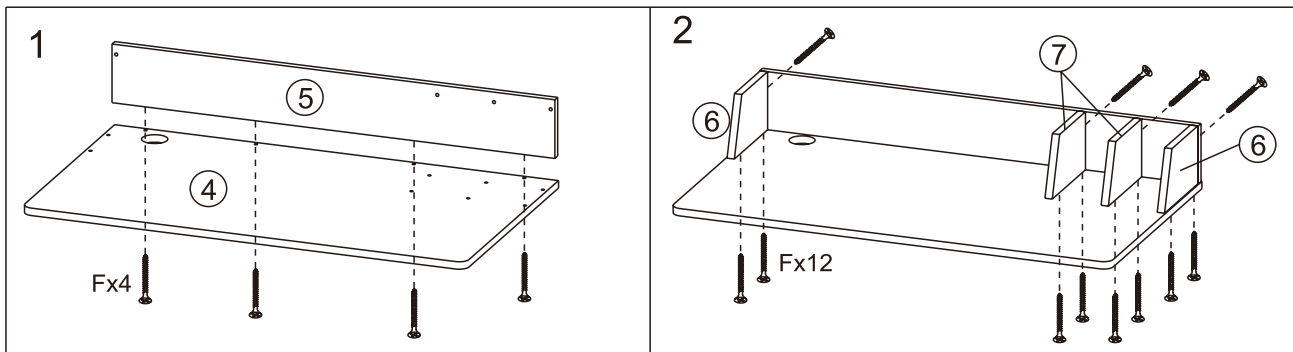


# LFDSK-03



PLEASE RETAIN ALL  
PACKING UNTIL YOU  
HAVE COMPLETED  
ASSEMBLY.

①x2 	②x2 	③x2 	④x1 800x500x15mm 			
	⑤x1 798x118x15mm 	⑥x2 180x118x15mm 	⑦x2 180x118x15mm 	Ax4  M6X40mm	Bx4  M6X30mm	
Cx2  M6X27mm	Dx2  M6X12mm	Ex2  M6mm	Fx16  φ5x40mm	Gx1 	Hx1 	Ix1 



**Notes for installation:** Place **ALL** screws into the appropriate position and then tighten. **DO NOT** place and tighten one by one. If the desk comes with plastic caps, place over screws to cover holes.

#### PREVENTIVE MAINTENANCE AND WARNING

- DO NOT USE DESK AS STEP STOOL OR LADDER
- DO NOT USE DESK UNLESS ALL BOLTS AND SCREWS ARE TIGHT.
- AT LEAST EVERY SIX MONTHS CHECK ALL BOLTS AND SCREWS TO BE SURE THEY ARE TIGHT.
- IF ANY PARTS ARE MISSING, BROKEN, DAMAGED OR WORN, STOP USING THE PRODUCT UNTIL REPAIRS ARE MADE WITH FACTORY AUTHORISED PARTS.
- FAILURE TO FOLLOW THESE WARNINGS CAN RESULT IN SERIOUS INJURY

#### BEFORE YOU START ASSEMBLY

Please check that you have all the correct parts and fittings as detailed in the Parts List above.

In the unlikely event that you require to order spare parts please refer to your delivery note for details of how to order on our Parts Website.

[www.coreproducts.co.uk/parts](http://www.coreproducts.co.uk/parts)

BATCH NUMBER **GOLD6964**

For further advice you can telephone 01738 630555

**PLEASE RETAIN THIS INSTRUCTION LEAFLET FOR FUTURE REFERENCE.**