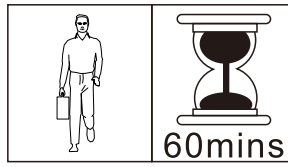
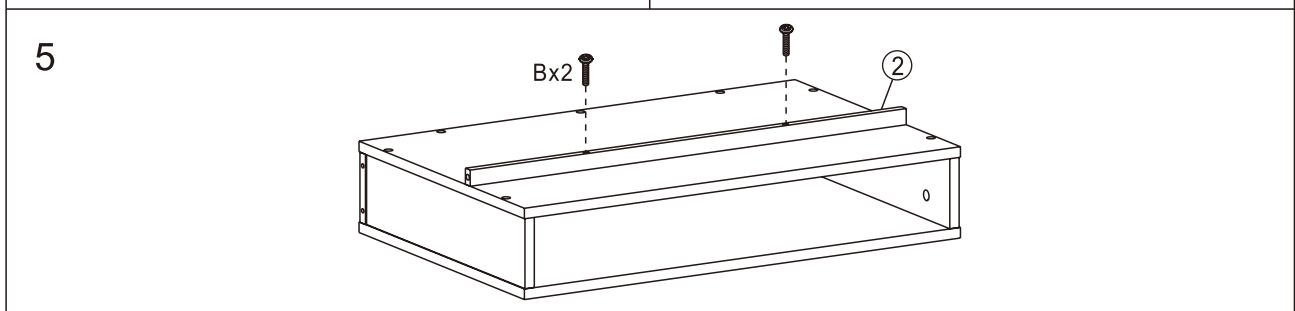
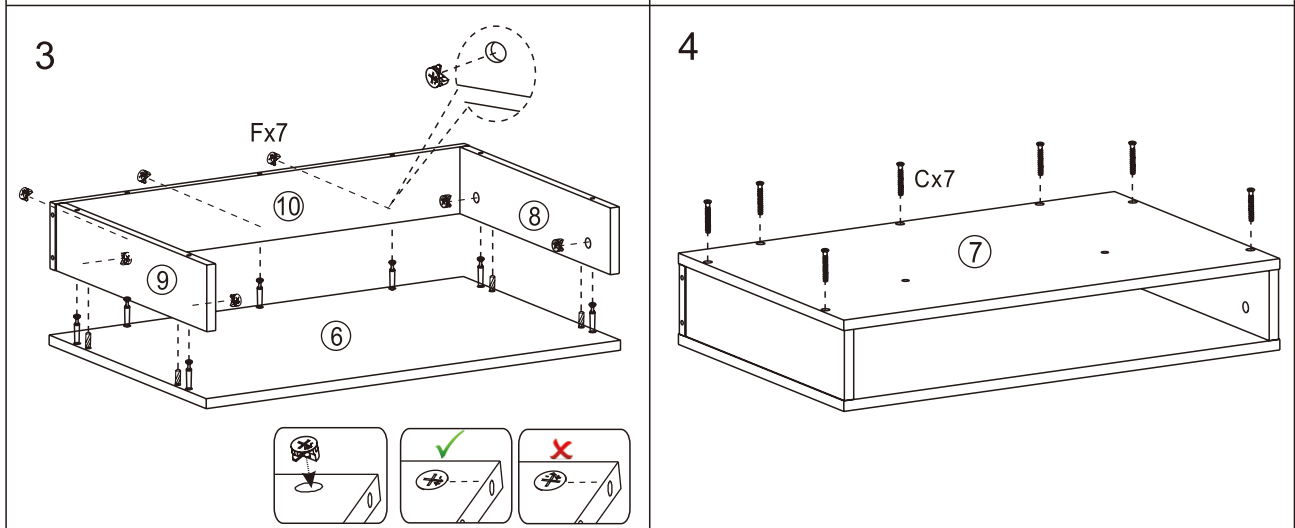
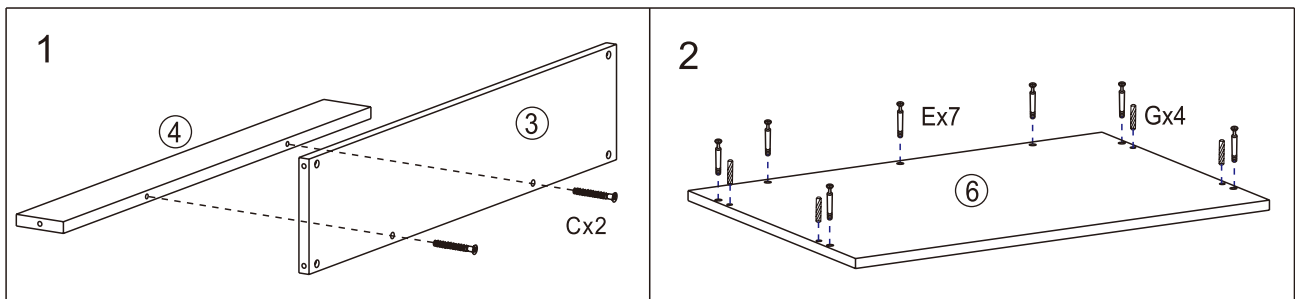


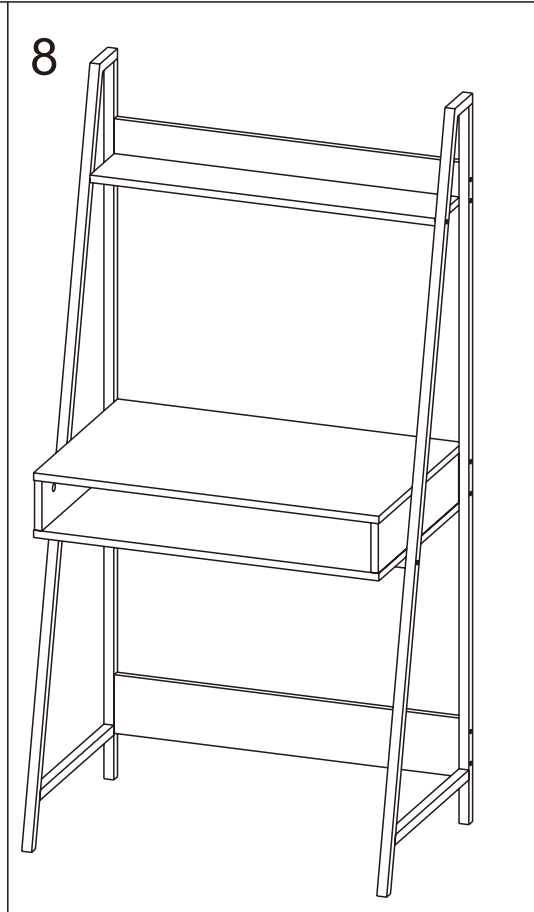
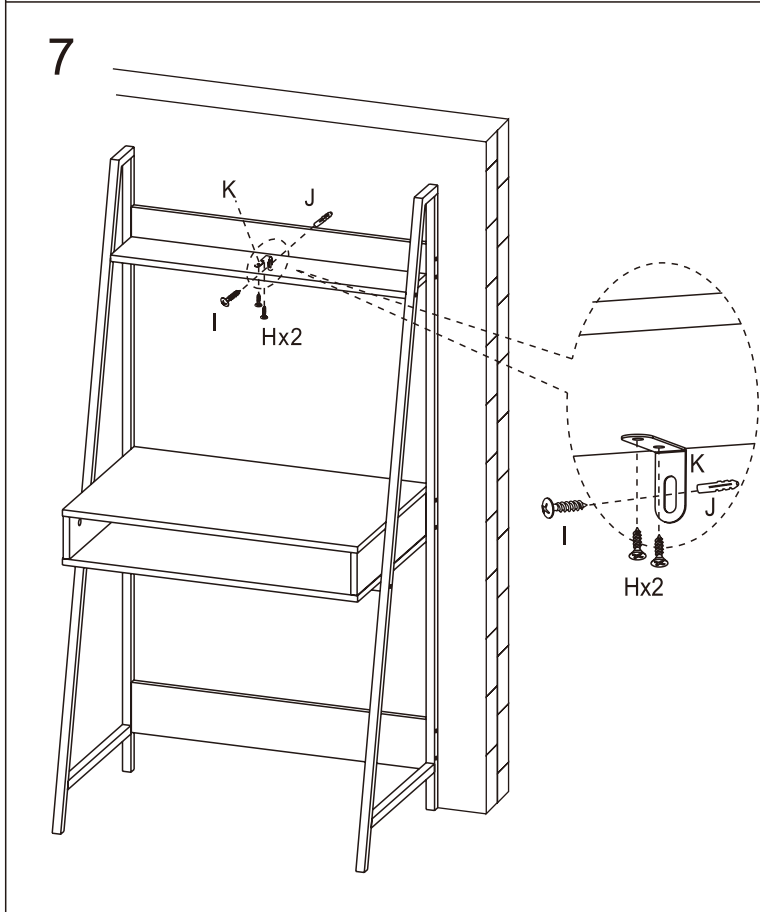
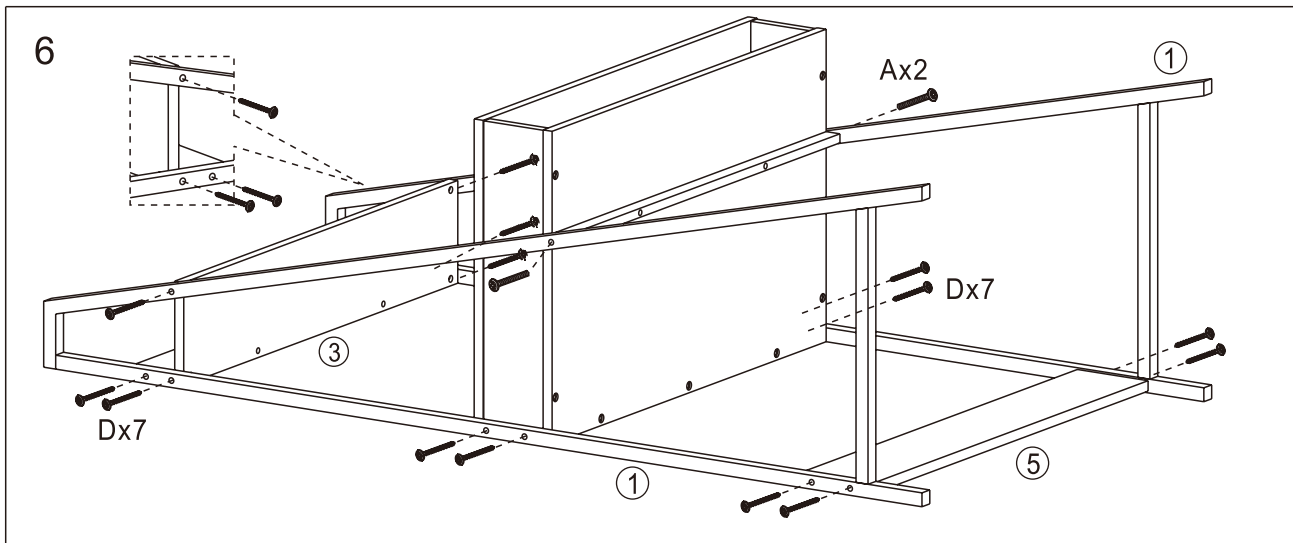
LFDSK-04



PLEASE RETAIN ALL
PACKING UNTIL YOU
HAVE COMPLETED
ASSEMBLY.

①x2 	②x1 	③x1 700x150x15mm 	④x1 700x70x15mm 	⑤x1 700x118x15mm 		
	⑥x1 700x450x15mm 	⑦x1 700x450x15mm 	⑧x1 430x100x15mm 	⑨x1 430x100x15mm 		
	⑩ x1 700x100x15mm 	Ax2 	Bx2 	Cx9 	Dx14 	Ex7
Fx7 	Gx4 	Hx2 	Ix1 	Jx1 	Kx1 	





Notes for installation: Place **ALL** screws into the appropriate position and then tighten. **DO NOT** place and tighten one by one. If the desk comes with plastic caps, place over screws to cover holes.

PREVENTIVE MAINTENANCE AND WARNING

- DO NOT USE DESK AS STEP STOOL OR LADDER
- DO NOT USE DESK UNLESS ALL BOLTS AND SCREWS ARE TIGHT.
- AT LEAST EVERY SIX MONTHS CHECK ALL BOLTS AND SCREWS TO BE SURE THEY ARE TIGHT.
- IF ANY PARTS ARE MISSING, BROKEN, DAMAGED OR WORN, STOP USING THE PRODUCT UNTIL REPAIRS ARE MADE WITH FACTORY AUTHORISED PARTS.
- FAILURE TO FOLLOW THESE WARNINGS CAN RESULT IN SERIOUS INJURY

BEFORE YOU START ASSEMBLY

Please check that you have all the correct parts and fittings as detailed in the Parts List above.

In the unlikely event that you require to order spare parts please refer to your delivery note for details of how to order on our Parts Website.

www.coreproducts.co.uk/parts

BATCH NUMBER **GOLD6965**

For further advice you can telephone 01738 630555

PLEASE RETAIN THIS INSTRUCTION LEAFLET FOR FUTURE REFERENCE.