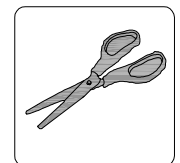
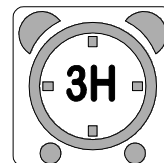
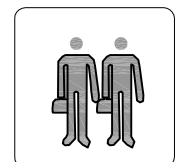
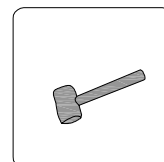
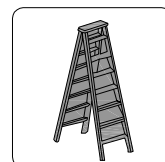
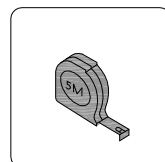
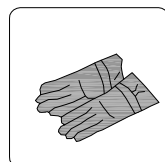
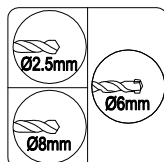
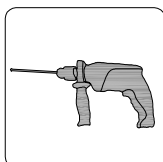
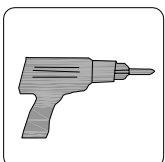
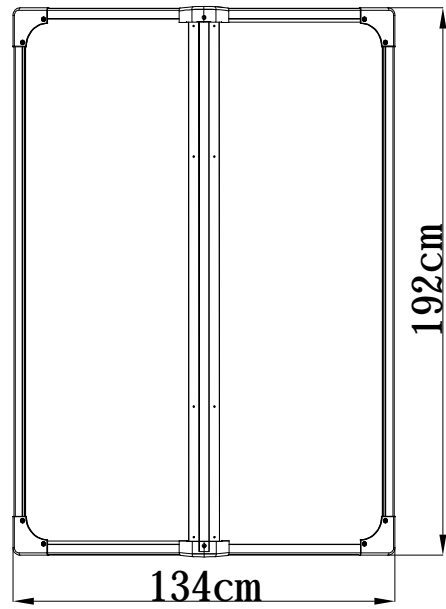
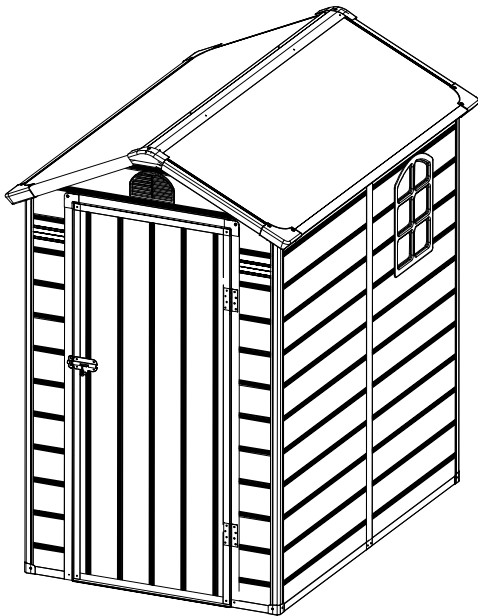
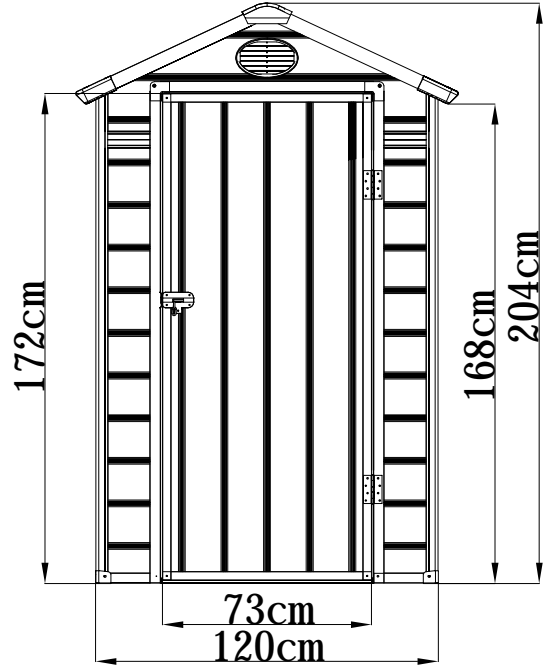
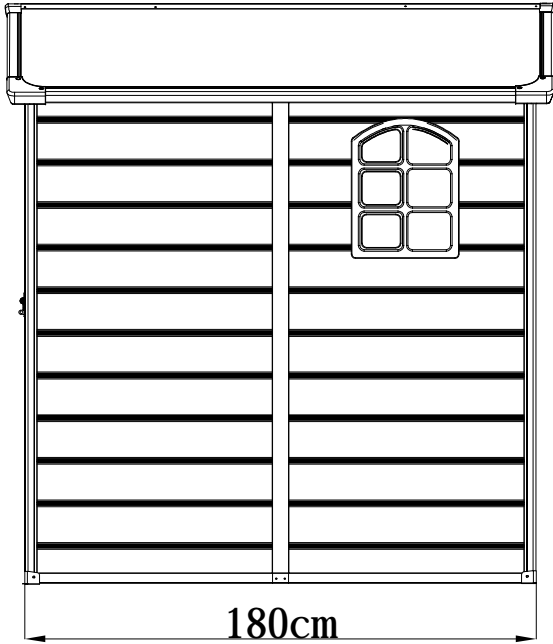


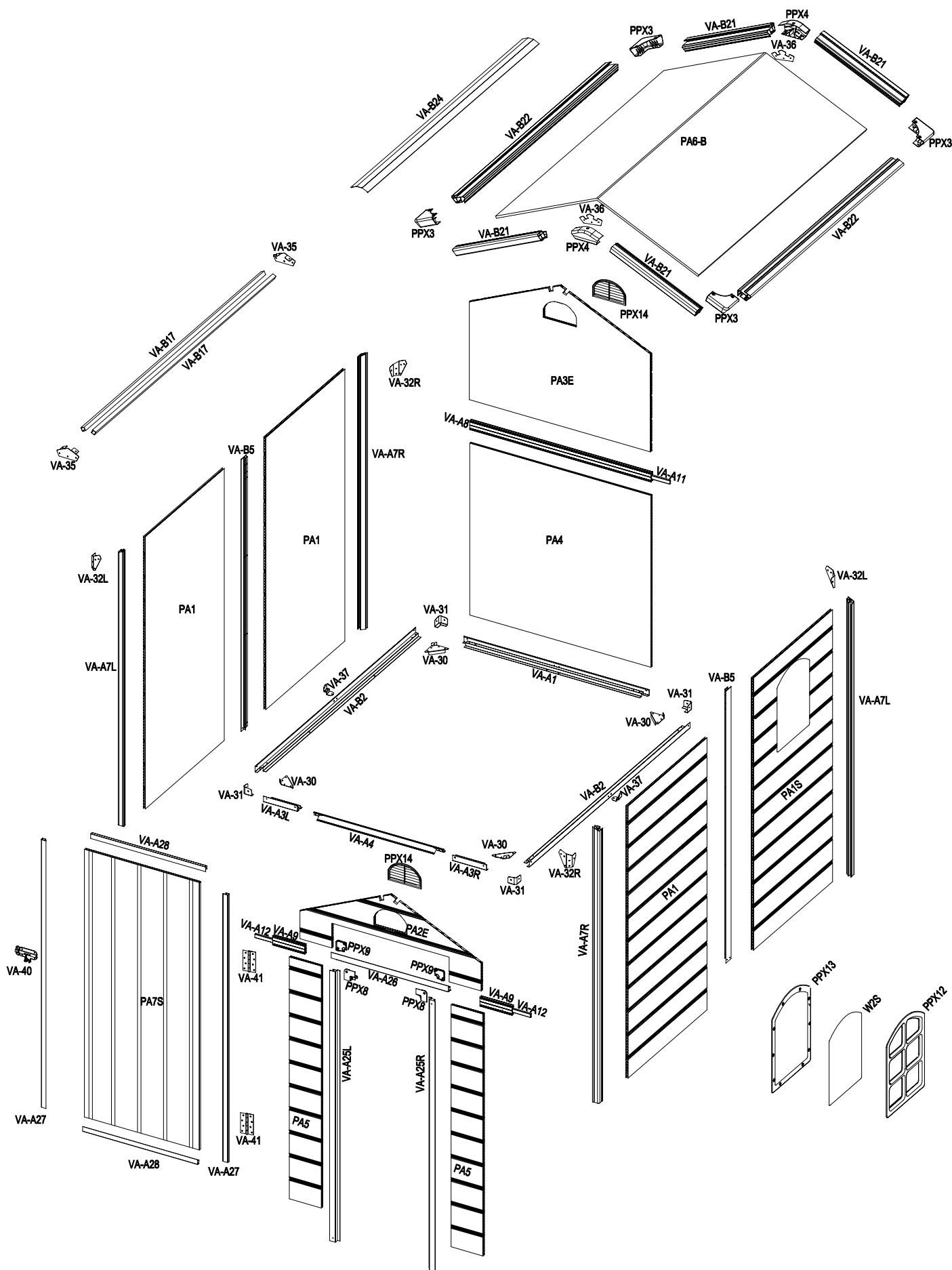
# Airevale 4x6 Apex Plastic Shed

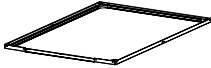

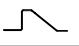




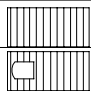





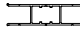



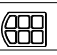

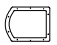








**Light Grey: SS547**



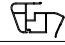
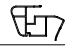


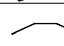

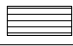
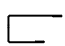
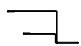


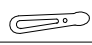







**Dark Grey: SS548**

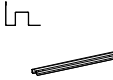
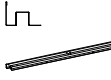
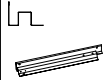
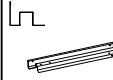
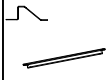
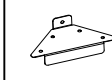



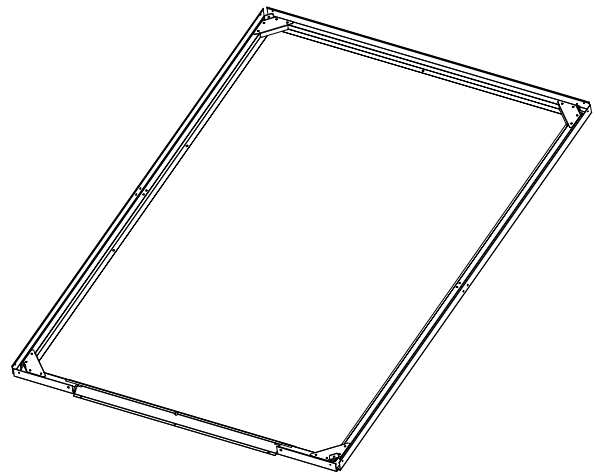
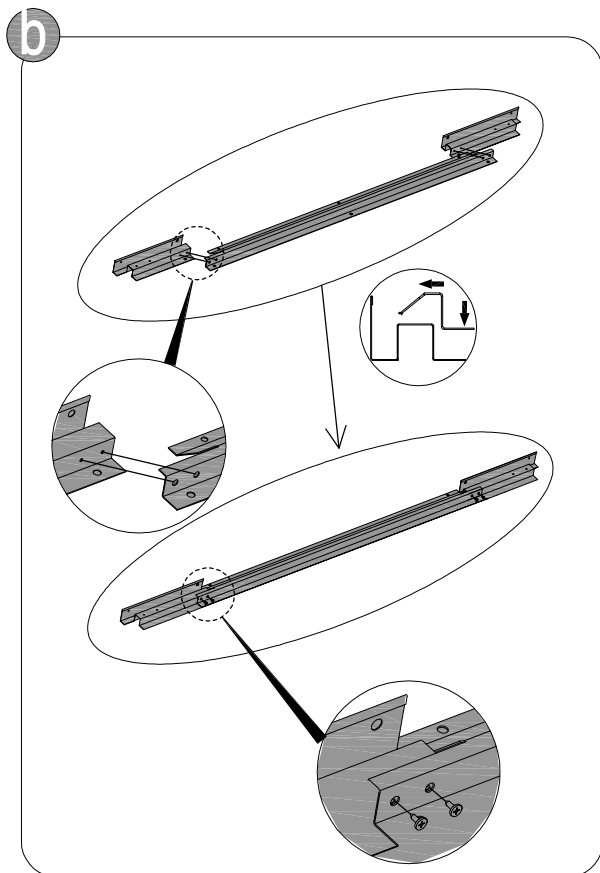
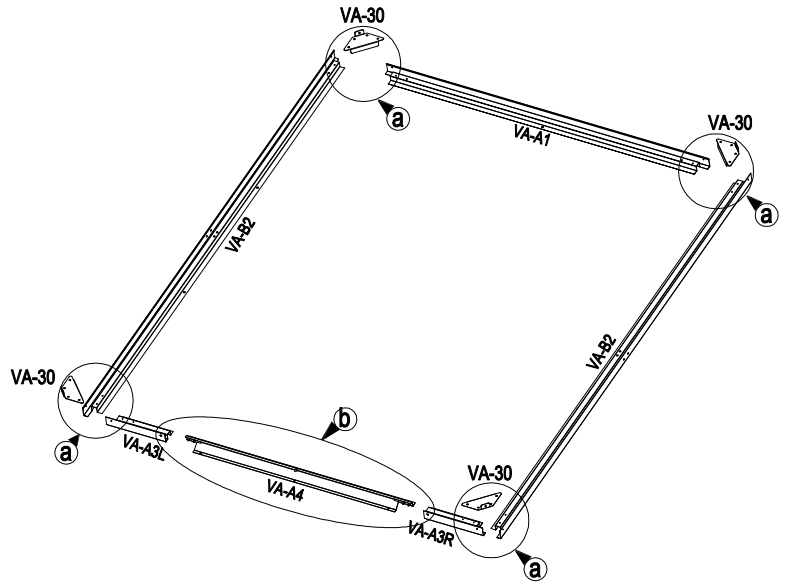
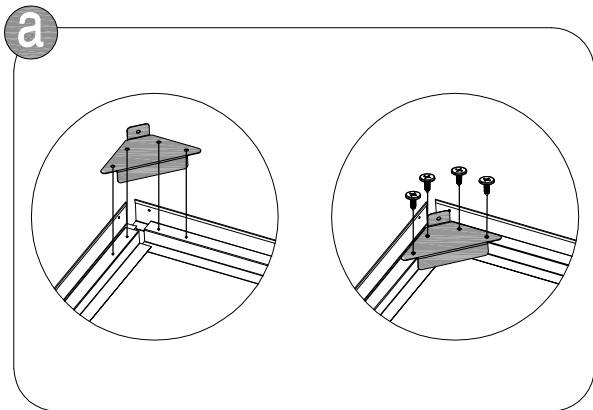




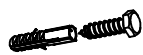
|  |   |             |    |     |
|---|---|-------------|----|-----|
| VA-A1   |    | 1185mm      | x1 | 1/1 |
| VA-B2   |   | 1780mm      | x2 | 1/1 |
| VA-A3R  |   | 217mm       | x1 | 1/1 |
| VA-A3L  |   | 217mm       | x1 | 1/1 |
| VA-A4   |    | 830mm       | x1 | 1/1 |
| VA-30   |    |             | x4 | 1/1 |
| VA-31   |    |             | x4 | 1/1 |
| VA-37   |    |             | x2 | 1/1 |
|  |   |             |    |     |
| PA1   |    | 876X1740mm  | x3 | 1/1 |
| PA1S  |    | 876X1740mm  | x1 | 1/1 |
| PA2E  |    | 1160X448mm  | x1 | 1/1 |
| PA3E  |    | 1160X896mm  | x1 | 1/1 |
| PA5   |    | 205X1548mm  | x2 | 1/1 |
| PA4   |   | 1160X1100mm | x1 | 1/1 |
| VA-A8   |  | 1155mm      | x1 | 1/1 |
| VA-A9   |   | 200mm       | x2 | 1/1 |
| VA-A11  |  | 1155mm      | x1 | 1/1 |
| VA-A12  |   | 200mm       | x2 | 1/1 |
| VA-A7R  |  | 1760mm      | x2 | 1/1 |
| VA-A7L  |   | 1760mm      | x2 | 1/1 |
| VA-B5   |  | 1740mm      | x2 | 1/1 |
| PPX12   |  |             | x1 | 1/1 |
| W2S   |  |             | x1 | 1/1 |
| PPX13   |  |             | x1 | 1/1 |
| VA-B17  |  | 1797mm      | x2 | 1/1 |
| VA-36   |  |             | x2 | 1/1 |
| VA-32R  |  |             | x2 | 1/1 |
| VA-32L  |  |             | x2 | 1/1 |
| PPX14   |  |             | x2 | 1/1 |
| PPX8  |  |             | x2 | 1/1 |
| PPX9  |  |             | x2 | 1/1 |
| VA-35   |  |             | x2 | 1/1 |

|  |   |             |      |     |
|---|---|-------------|------|-----|
| PA6-B   |    | 1865X1433mm | x1   | 1/1 |
| VA-B21  |    | 564mm       | x4   | 1/1 |
| VA-B22  |    | 1705mm      | x2   | 1/1 |
| PPX3  |     |             | x4   | 1/1 |
| PPX4  |     |             | x2   | 1/1 |
| VA-B24  |    | 1900mm      | x1   | 1/1 |
|  |   |             |      |     |
| PA7S  |    | 1710X735    | x1   | 1/1 |
| VA-A27  |    | 1712        | x2   | 1/1 |
| VA-A28  |   | 735         | x2   | 1/1 |
| VA-A25R   |    | 1730        | x1   | 1/1 |
| VA-A25L   |   | 1730        | x1   | 1/1 |
| VA-A26  |   | 748         | x1   | 1/1 |
| VA-41   |    |             | x2   | 1/1 |
| VA-40   |   |             | x1   | 1/1 |
| CN-A33  |  |             | x2   | 1/1 |
| PA01  |  |             | x3   | 1/1 |
| VA-B44  |  | ST4.2x13mm  | x152 | 1/1 |
| VA-B45  |  | ST4.2x19mm  | x97  | 1/1 |
| VA-B46  |  | ST4.2x13mm  | x6   | 1/1 |
| VA-B47  |  | ST4.2x19mm  | x4   | 1/1 |
| VA-B48  |   | ST6.0x40mm  | x10  | 1/1 |
| VA-51   |  |             | x1   | 1/1 |

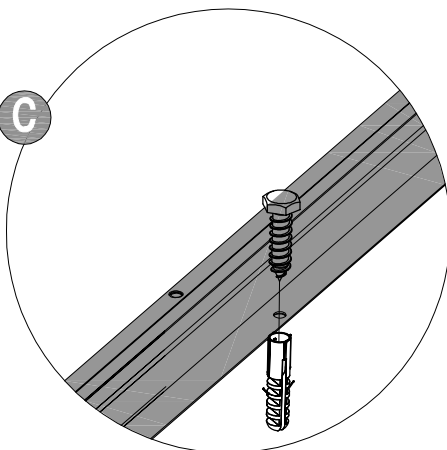
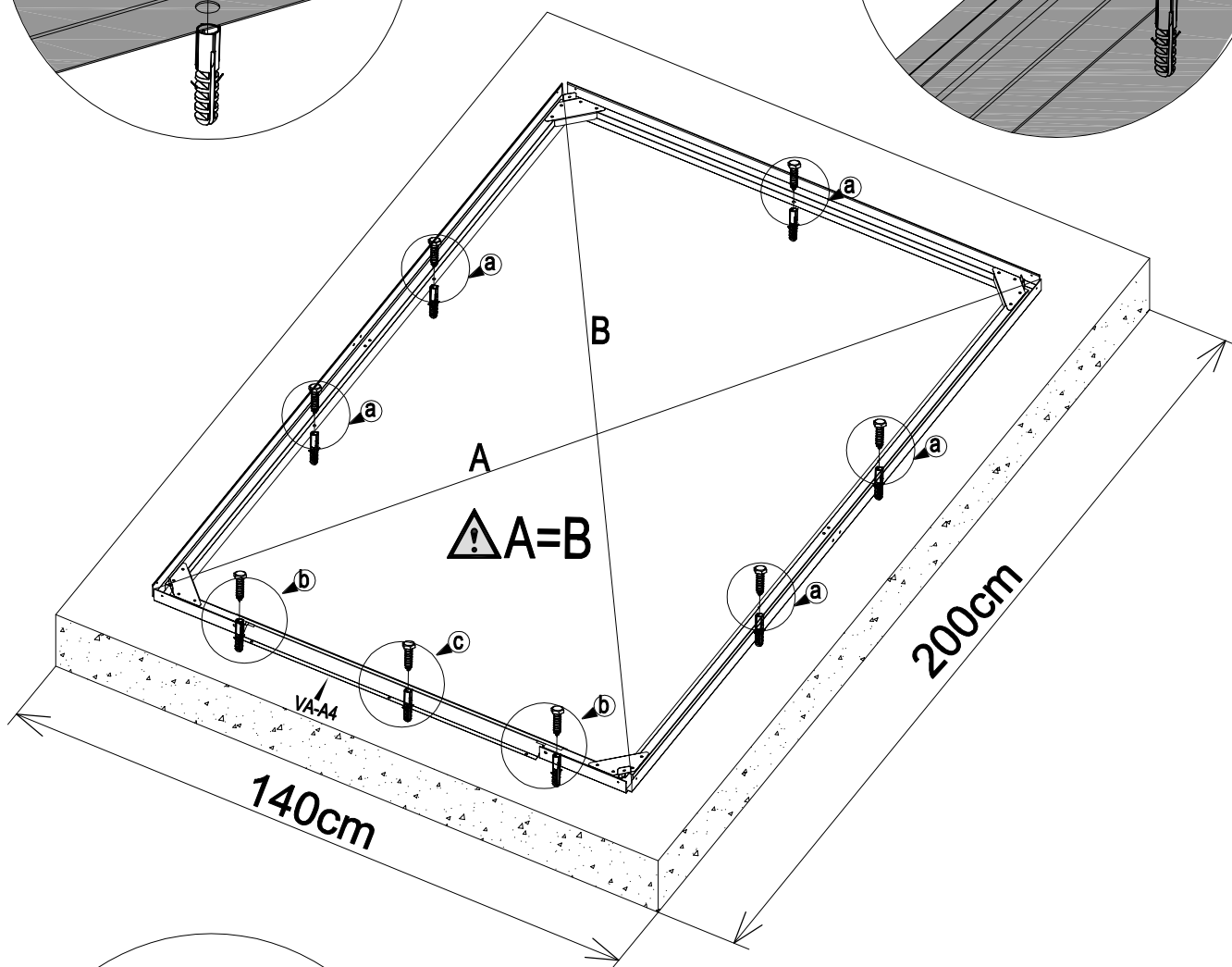
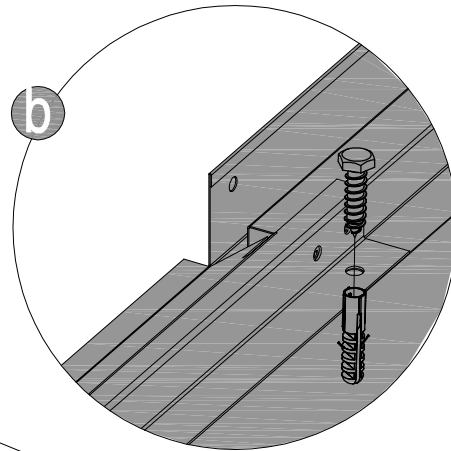
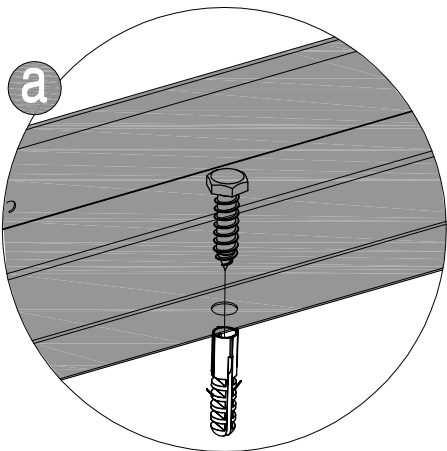
|          |   |   |   |   |  |   |  |  |
|----------|---|---|---|---|--|---|--|--|
| <b>1</b> | <br>VA-A1 [x1]<br>1185mm | <br>VA-B2 [x2]<br>1780mm | <br>VA-A3L [x1]<br>217mm | <br>VA-A3R [x1]<br>217mm | <br>VA-A4 [x1]<br>830mm | <br>VA-30 [x4] | <br>VA-B44 [x20]<br>13mm |  |
|----------|---|---|---|---|--|---|--|--|



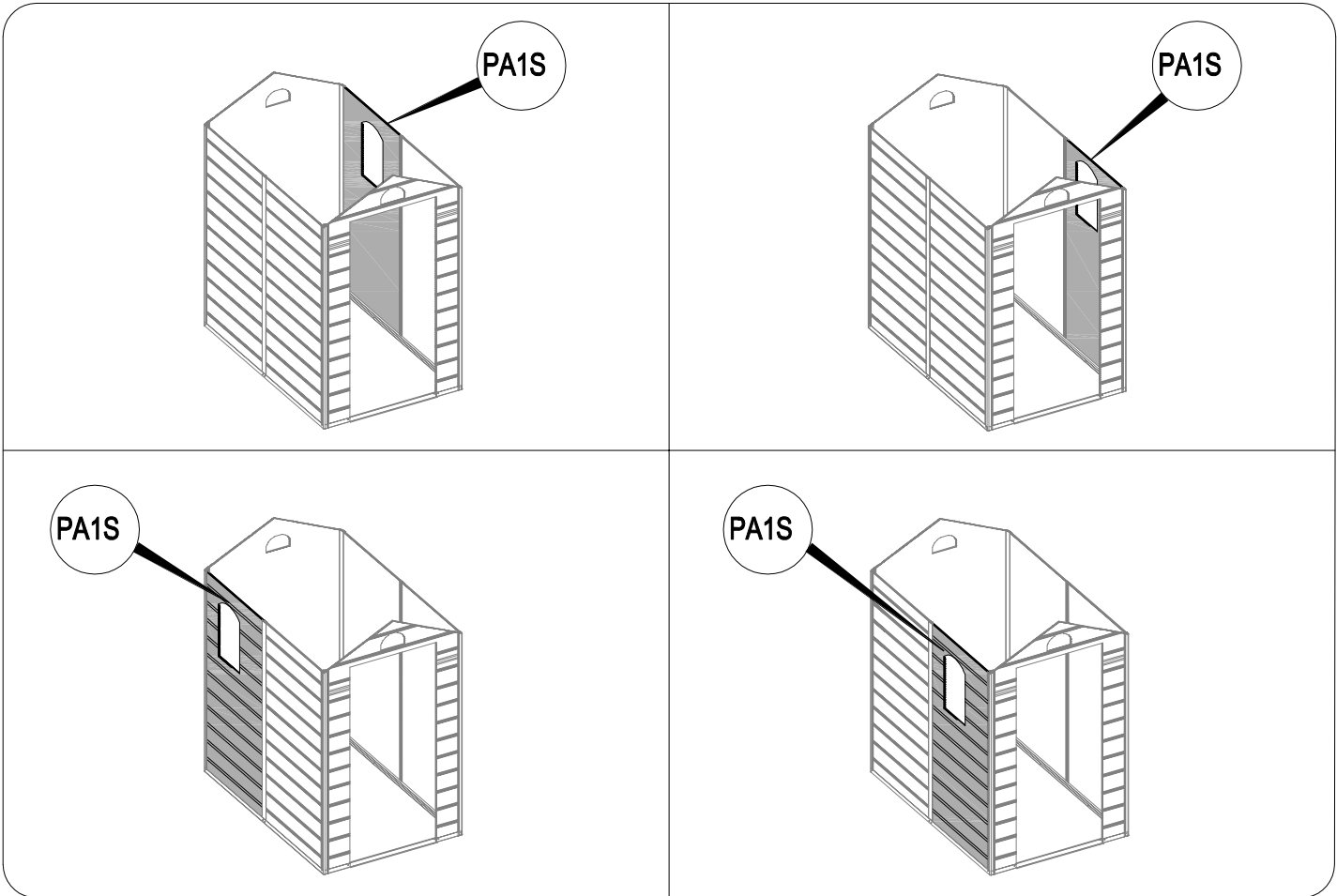
2


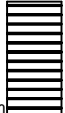




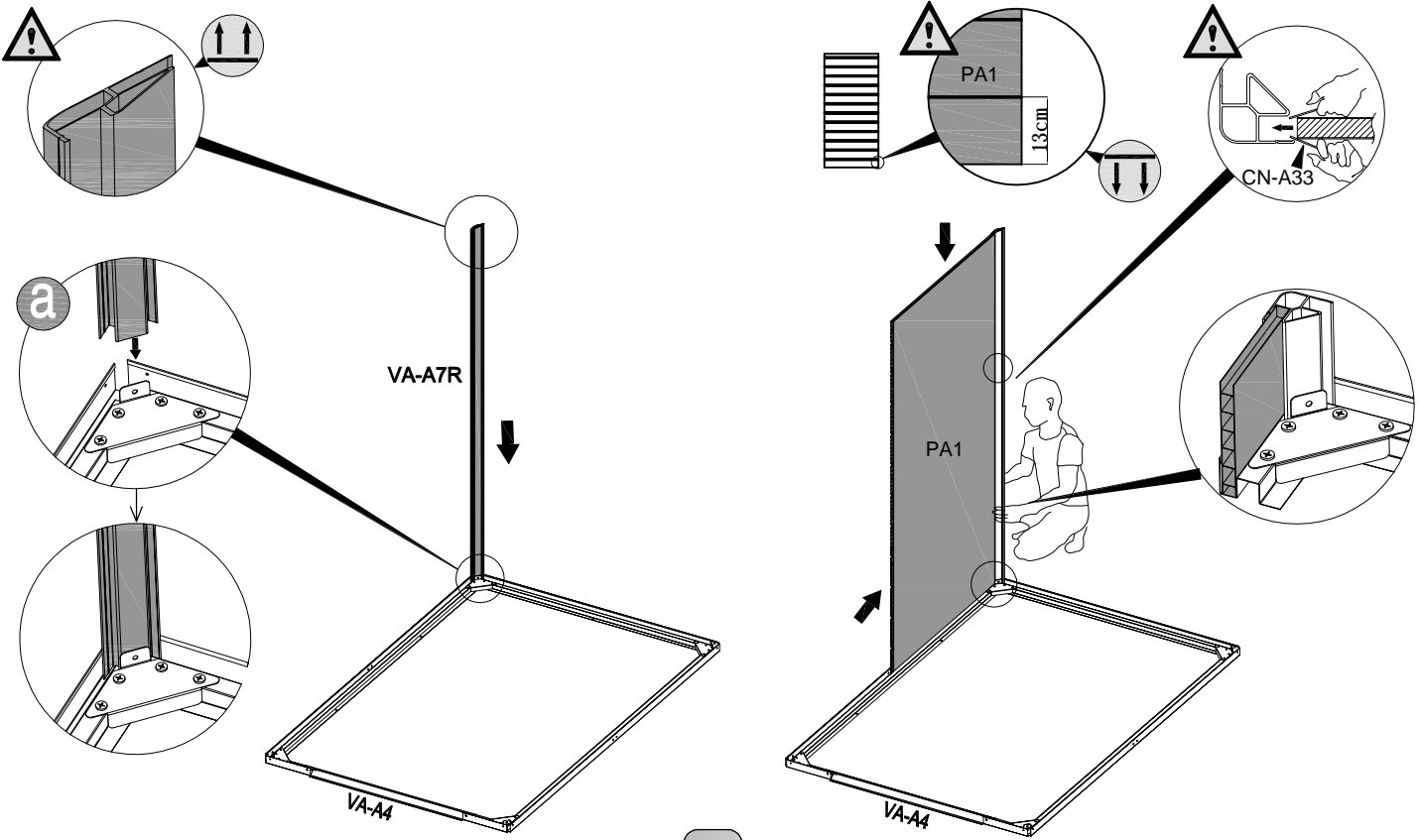
VA-B48 [x8]  
40mm







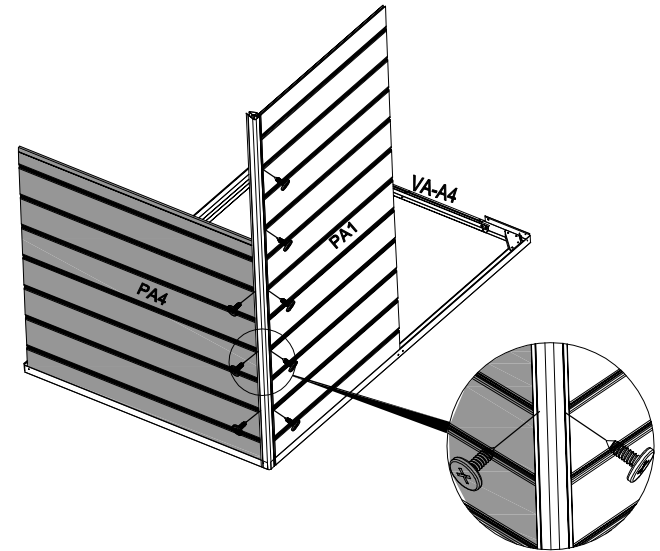
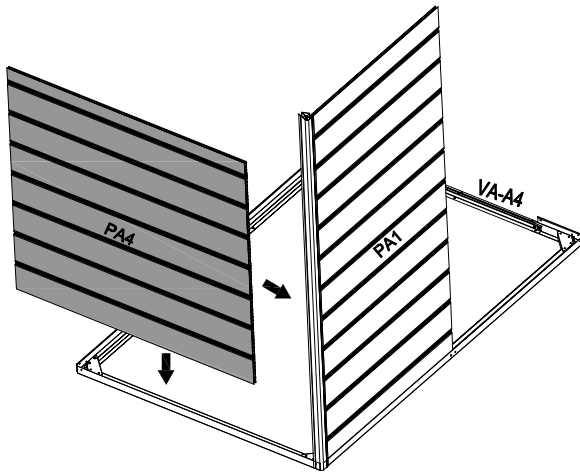
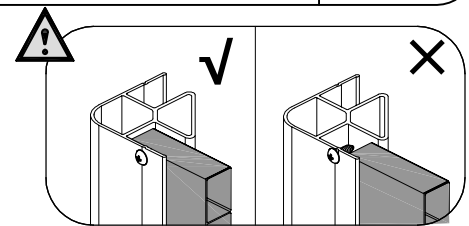
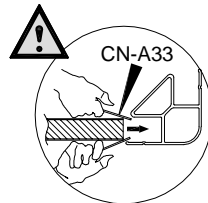
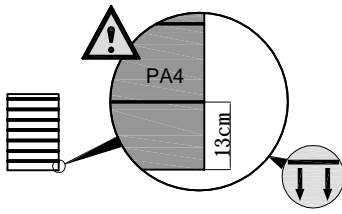
2


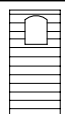
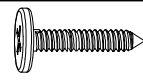

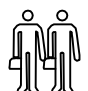


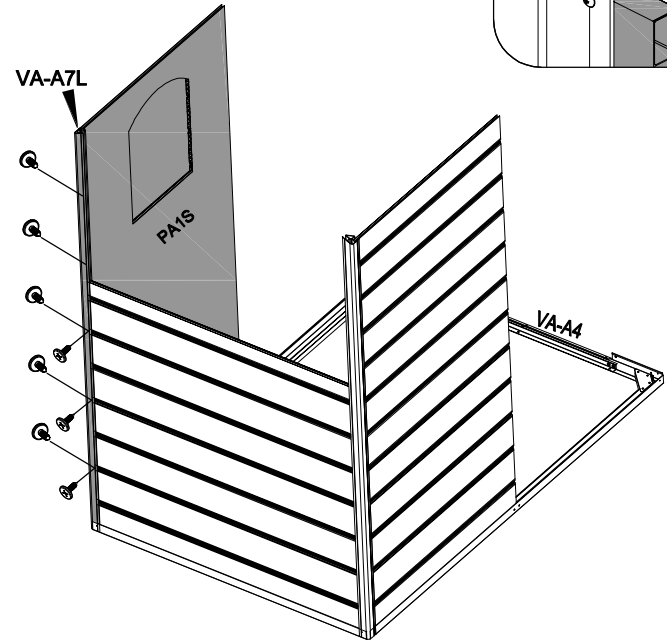
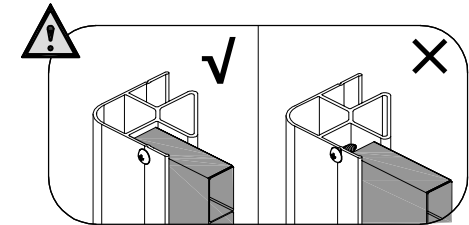
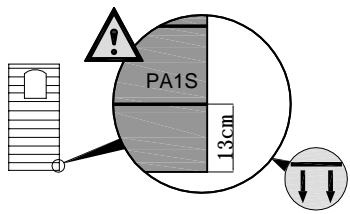
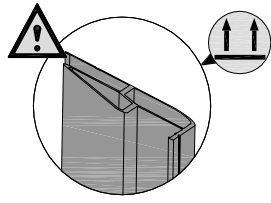
|                 |   |  |   |   |
|-----------------|---|--|---|---|
| <p><b>3</b></p> |  <p>VA-A7R [x1]<br/>1760mm</p> |  <p>PA1 [x1]<br/>876x1740mm</p> |  <p>CN-A33</p> |  |
|-----------------|---|--|---|---|



|          |  |  |   |  |   |
|----------|--|--|---|--|---|
| <b>4</b> | <br>PA4 [x1]<br>1160x1100mm | <br>VA-B45 [x8]<br>19mm | <br>CN-A33 |  |  |
|----------|--|--|---|--|---|

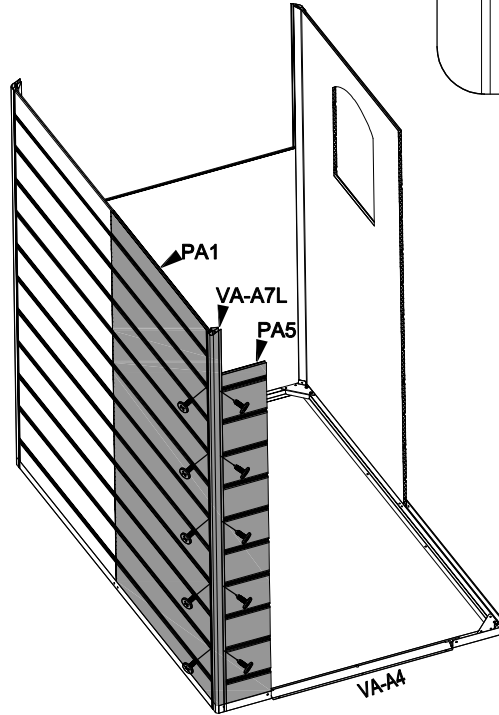
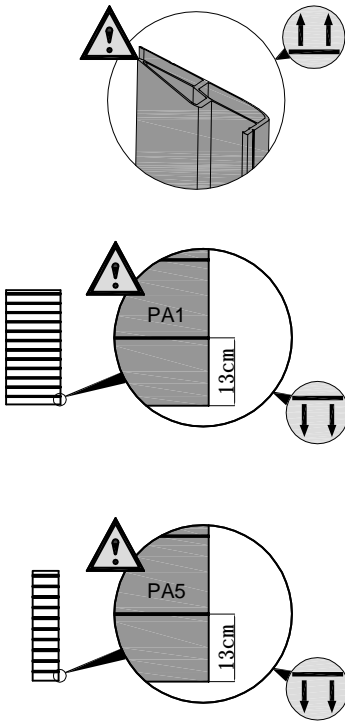
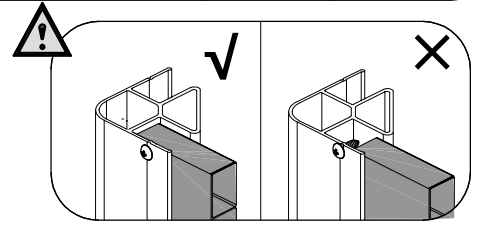


|          |  |  |  |  |   |
|----------|--|--|--|--|---|
| <b>5</b> | <br>VA-A7L [x1]<br>1760mm | <br>PA1S [x1]<br>876x1740mm | <br>VA-B45 [x8]<br>19mm | <br>CN-A33 |  |
|----------|--|--|--|--|---|

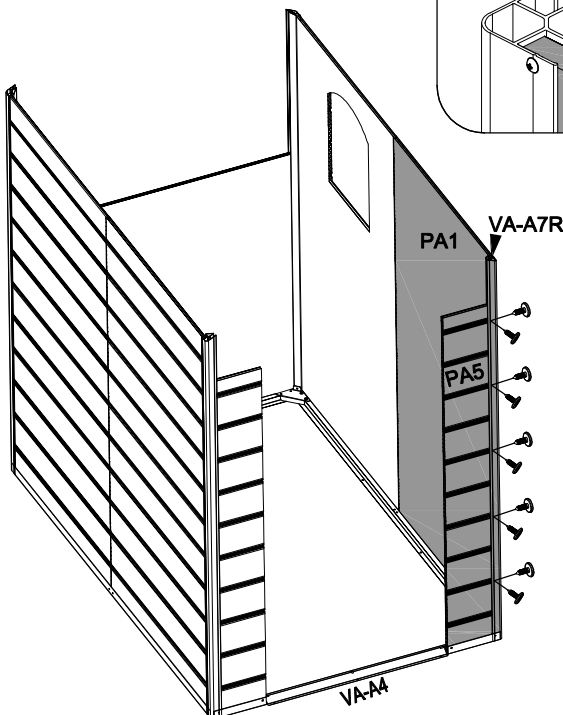
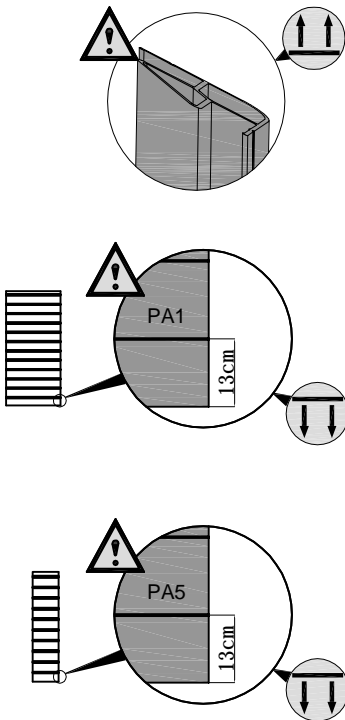
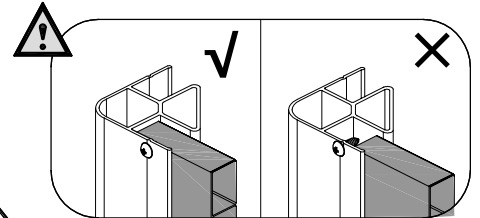




|          |                       |                        |                        |                      |        |  |
|----------|-----------------------|------------------------|------------------------|----------------------|--------|--|
| <b>6</b> | VA-A7L [x1]<br>1760mm | PA1 [x1]<br>876x1740mm | PA5 [x1]<br>205x1548mm | VA-B45 [x10]<br>19mm | CN-A33 |  |
|----------|-----------------------|------------------------|------------------------|----------------------|--------|--|



|          |                       |                        |                        |                      |        |  |
|----------|-----------------------|------------------------|------------------------|----------------------|--------|--|
| <b>7</b> | VA-A7R [x1]<br>1760mm | PA1 [x1]<br>876x1740mm | PA5 [x1]<br>205x1548mm | VA-B45 [x10]<br>19mm | CN-A33 |  |
|----------|-----------------------|------------------------|------------------------|----------------------|--------|--|



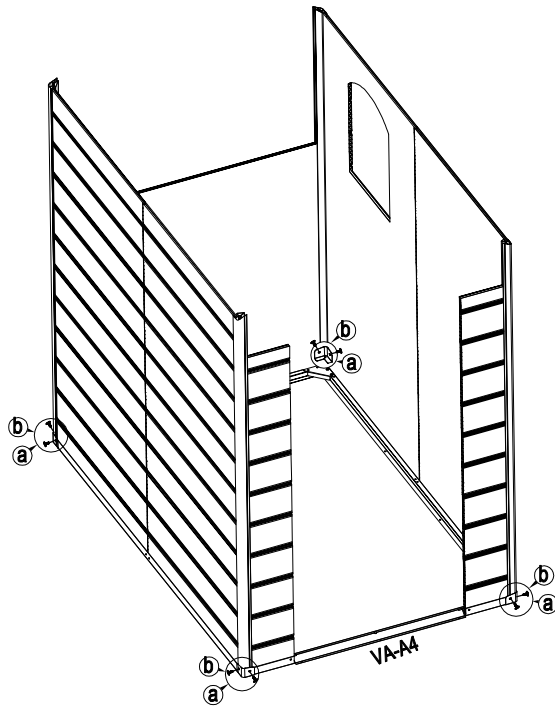
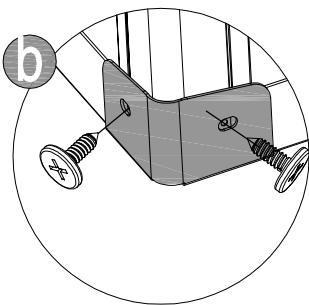
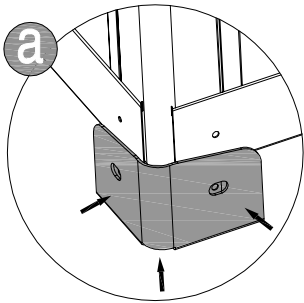
8



VA-31 [x4]



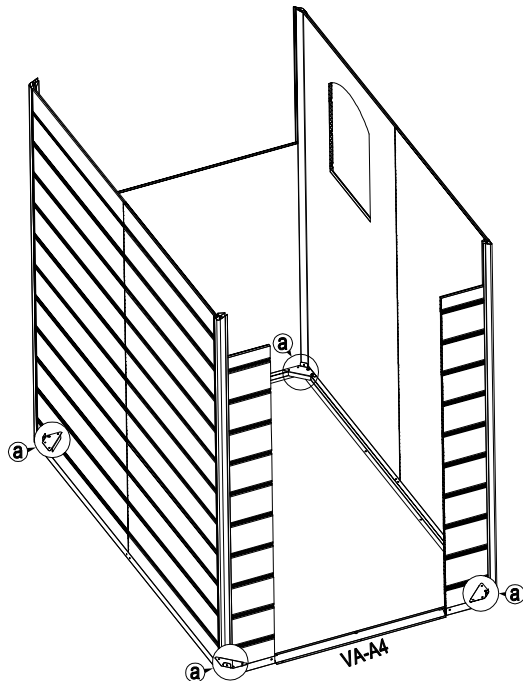
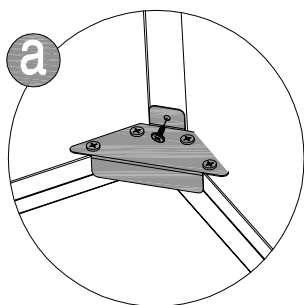
VA-B44 [x8]  
13mm



9



VA-B44 [x4]  
13mm

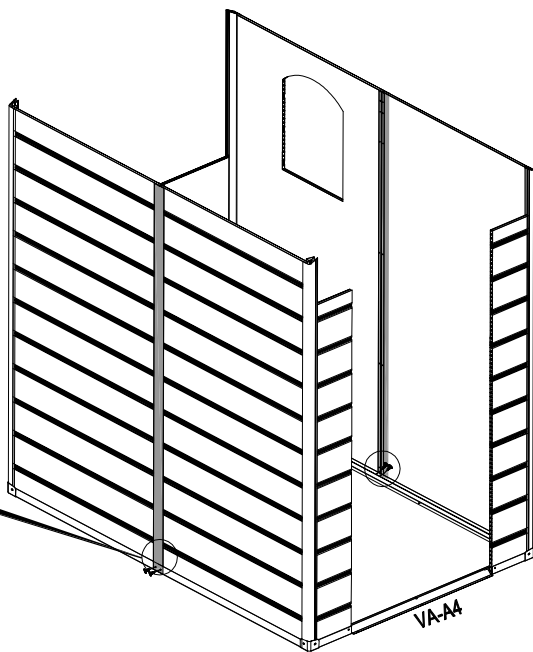
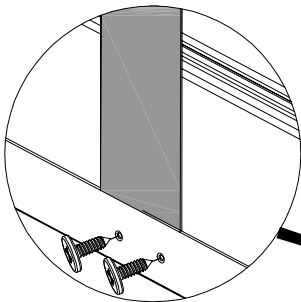
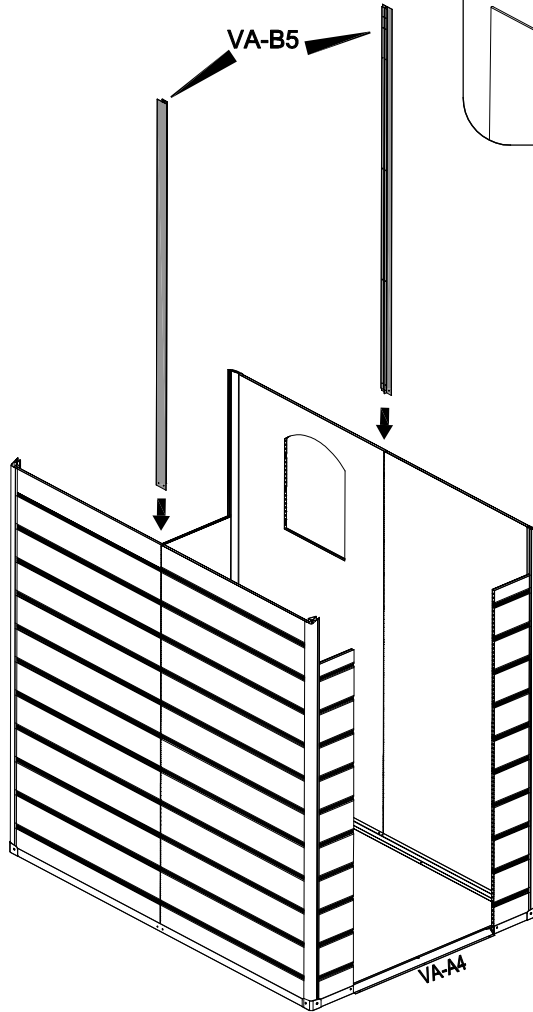
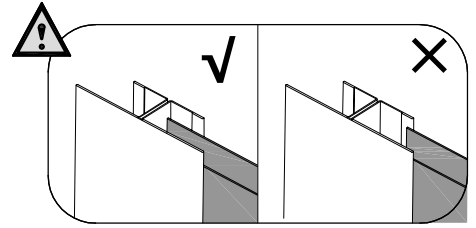
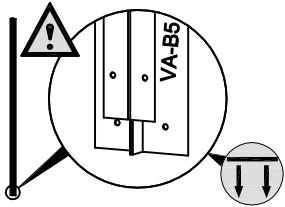


10

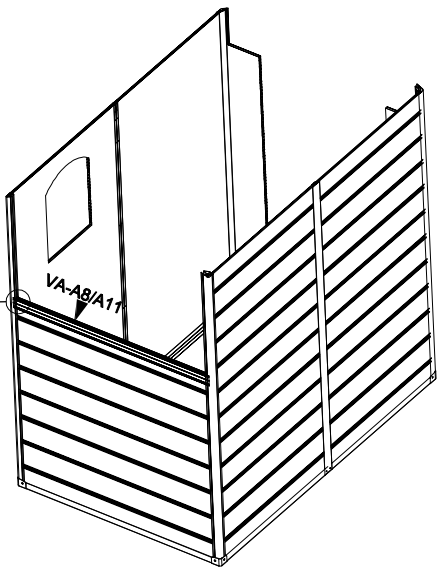
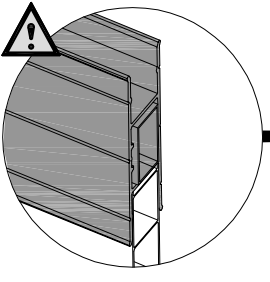
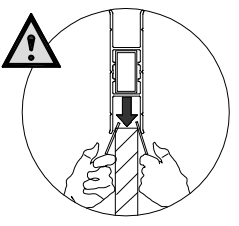
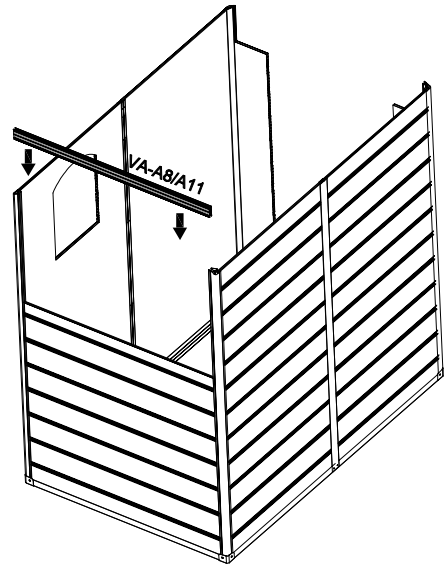
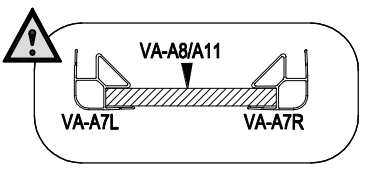
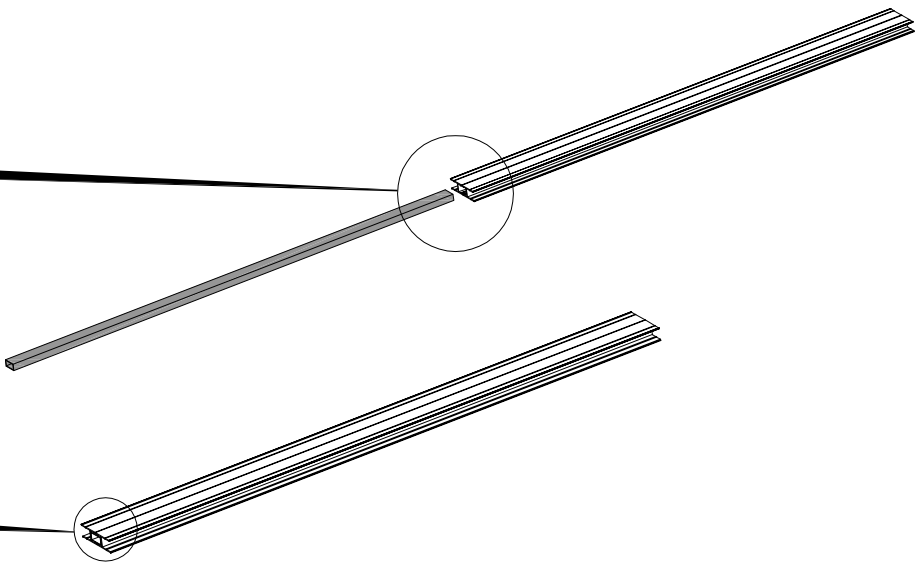
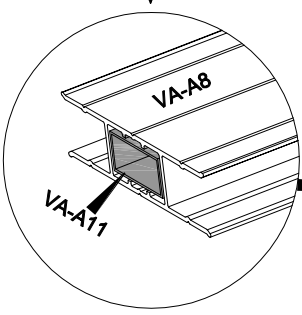
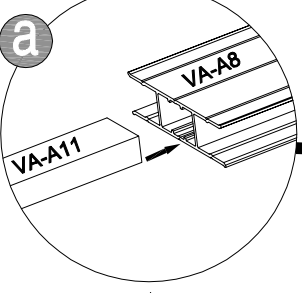
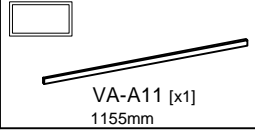
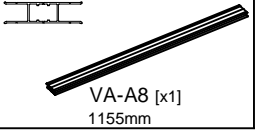
VA-B5 [x4]  
1740mm

VA-B44 [x4]  
13mm

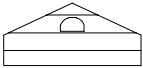



CN-A33

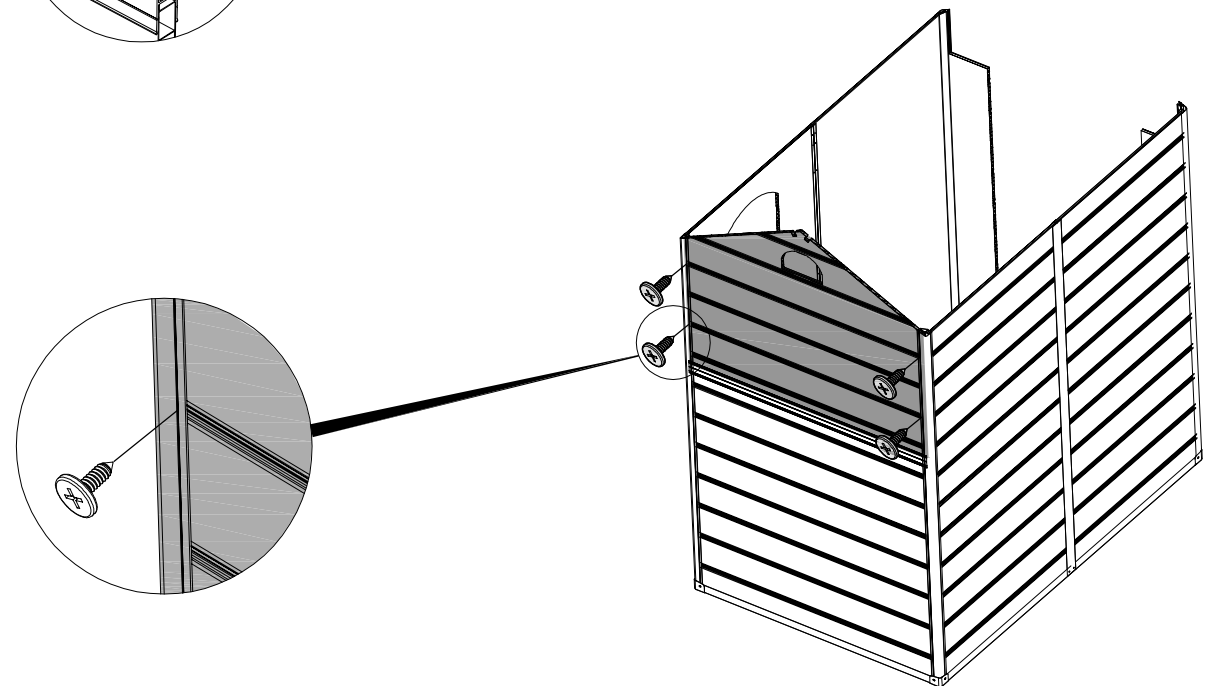
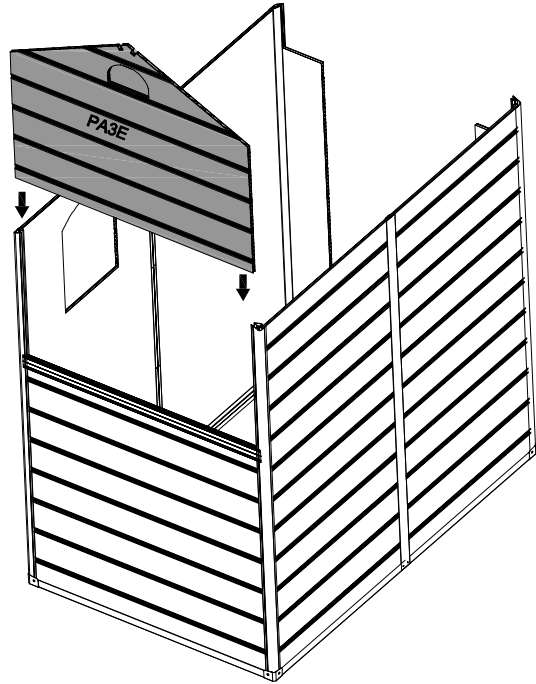
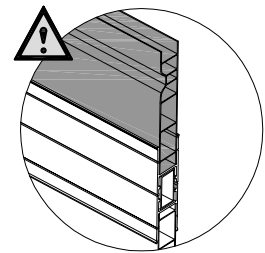
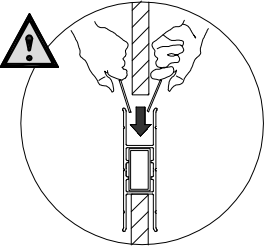
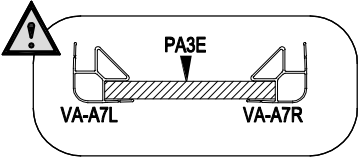


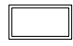
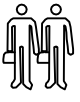
11

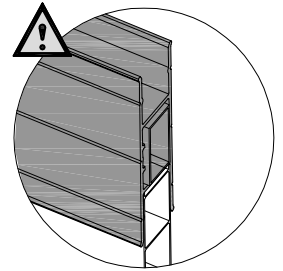
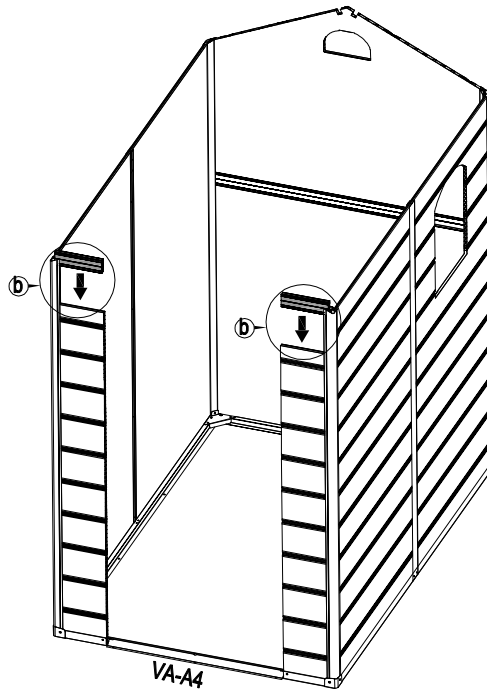
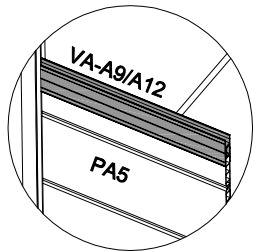
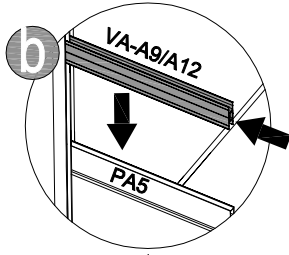
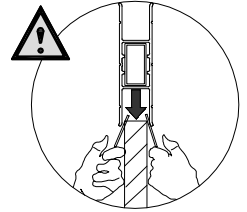
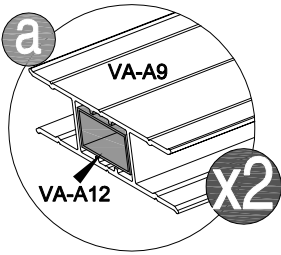


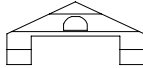




8

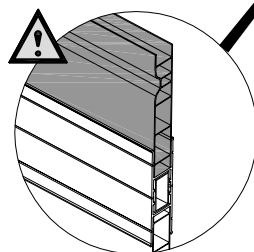
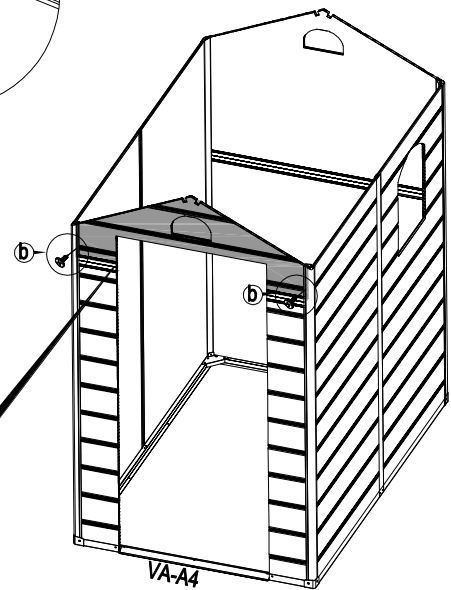
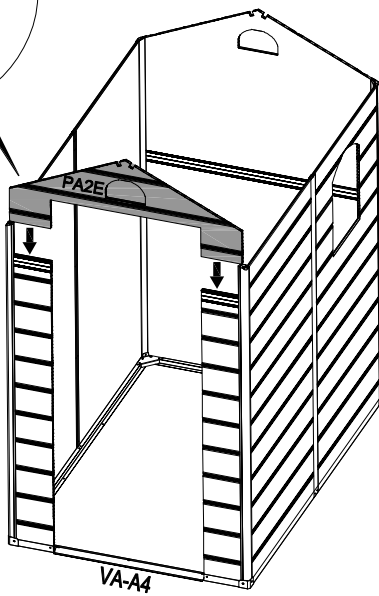
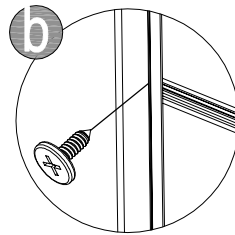
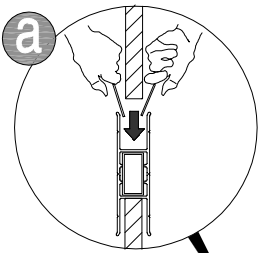
|    |   |   |   |   |
|----|---|---|---|---|
| 12 |  <p>PA3E [x1]<br/>1160x896mm</p> |  <p>VA-B45 [x4]<br/>19mm</p> |  <p>CN-A33</p> |  |
|----|---|---|---|---|



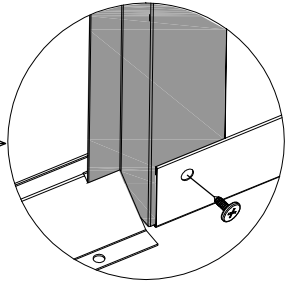
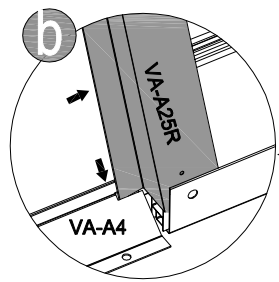
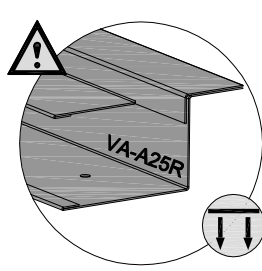
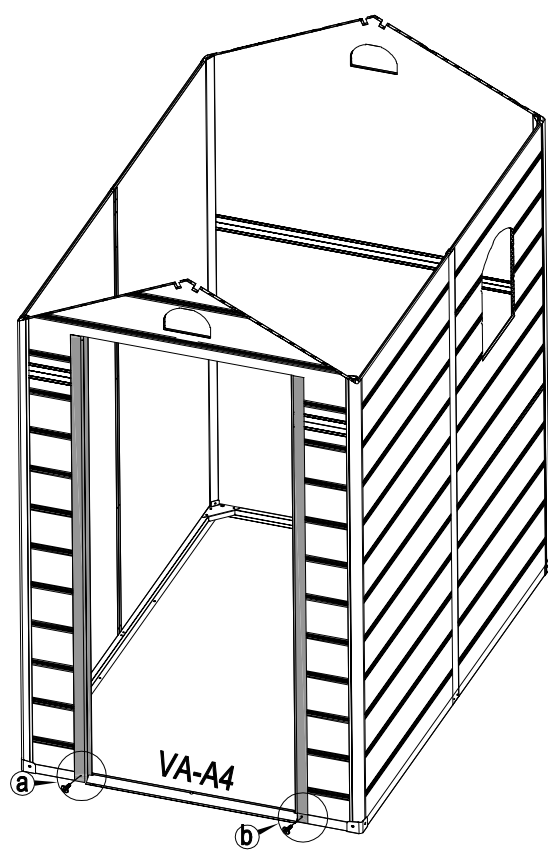
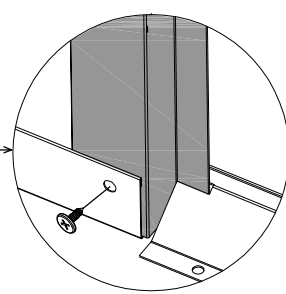
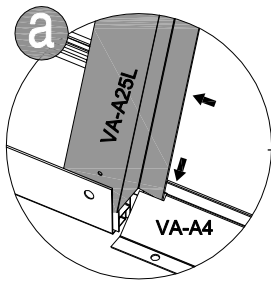
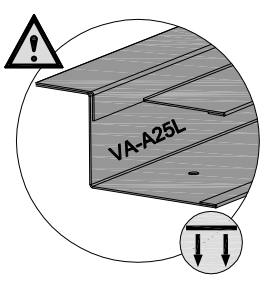
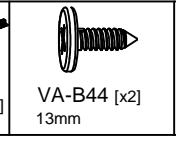
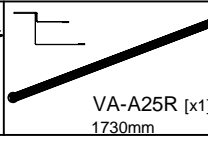
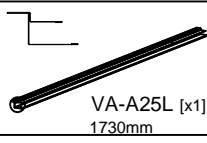
|    |   |   |   |   |
|----|---|---|---|---|
| 13 |  |  |  |  |
|    | VA-A9 [x2]<br>200mm   | VA-A12 [x2]<br>200mm  |   |   |



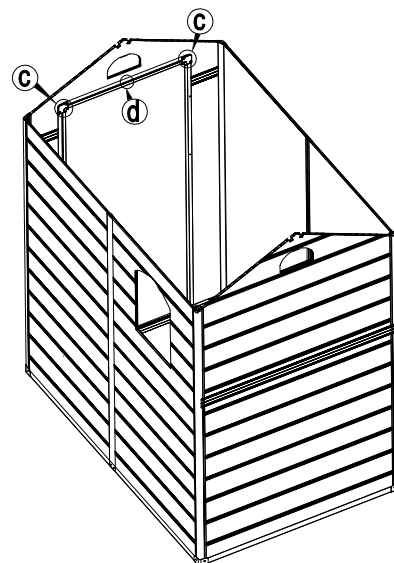
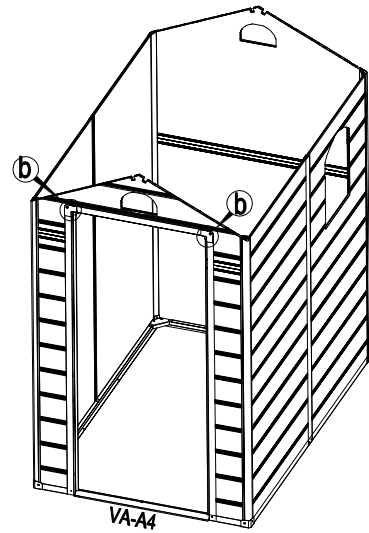
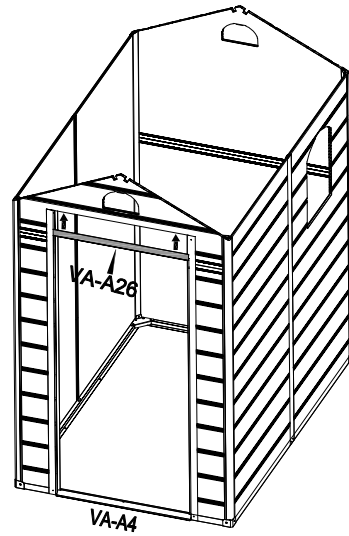
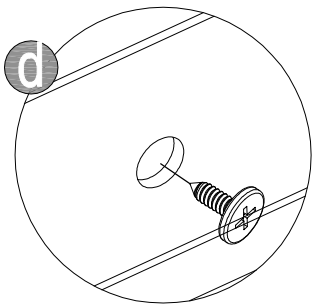
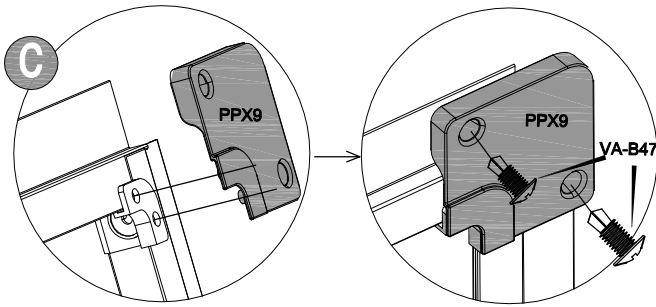
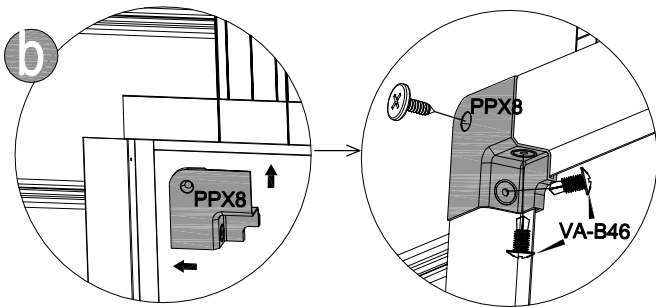
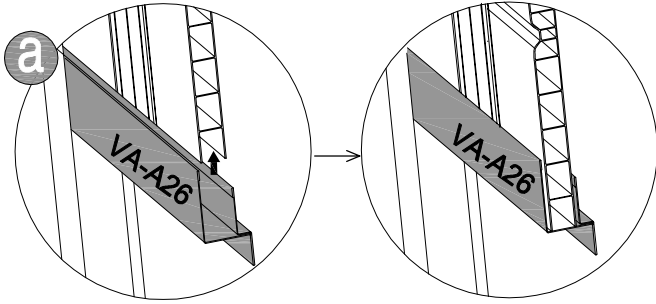
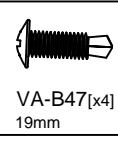
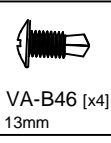
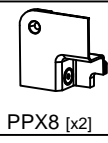
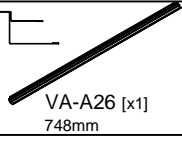
|    |   |   |   |   |   |
|----|---|---|---|---|---|
| 14 |  |  |  |  |  |
|    | PA2E [x1]<br>1160x448mm   | VA-B45 [x2]<br>19mm   | CN-A33  |   |   |



15



16

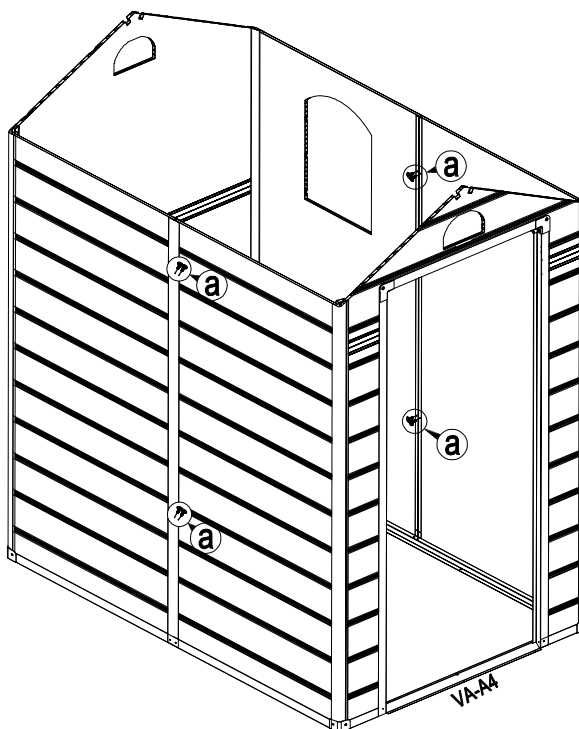
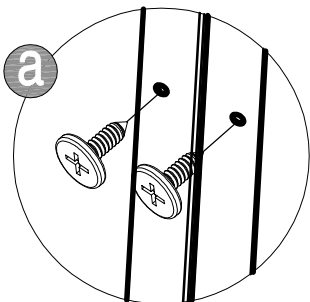




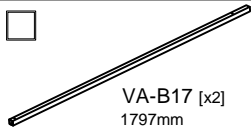
17



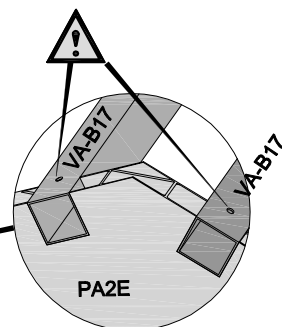
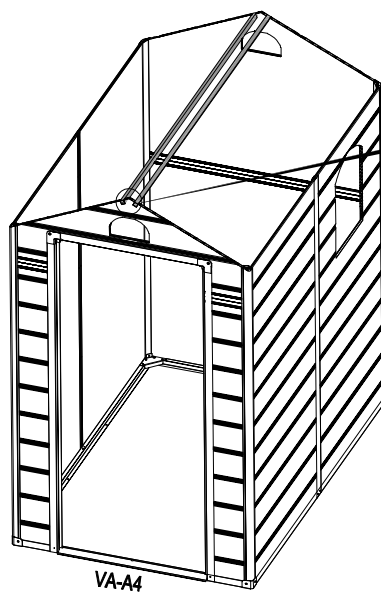
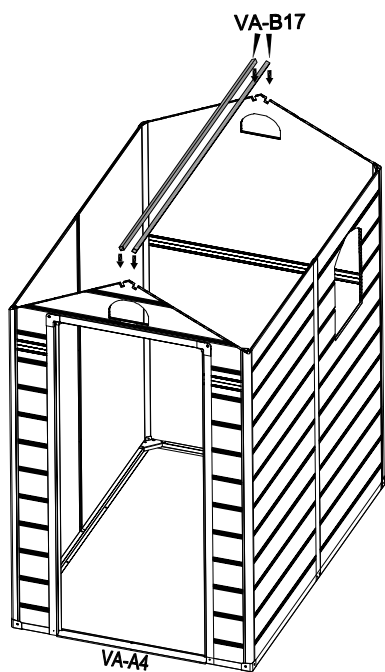
VA-B44 [x8]  
13mm



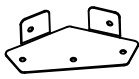
18



VA-B17 [x2]  
1797mm



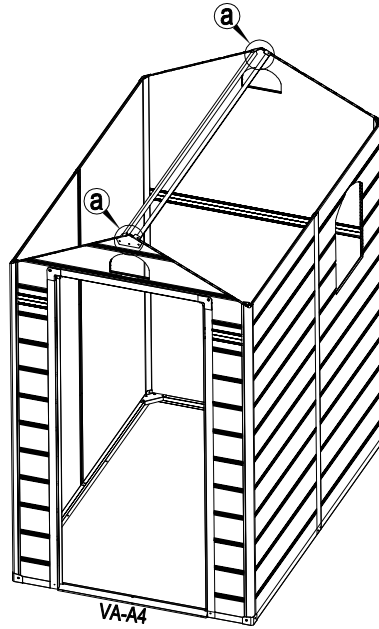
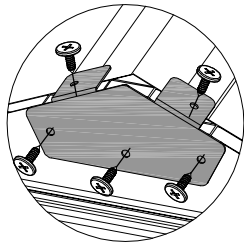
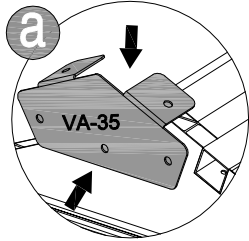
19



VA-35 [x2]



VA-B44 [x10]  
13mm



20



VA-B22 [x2]  
1705mm



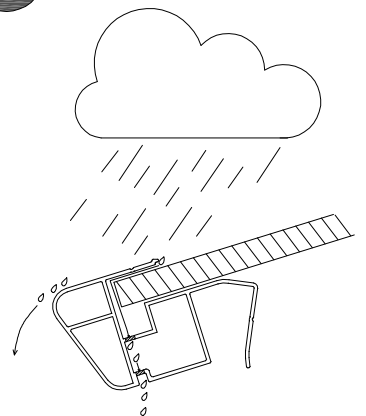
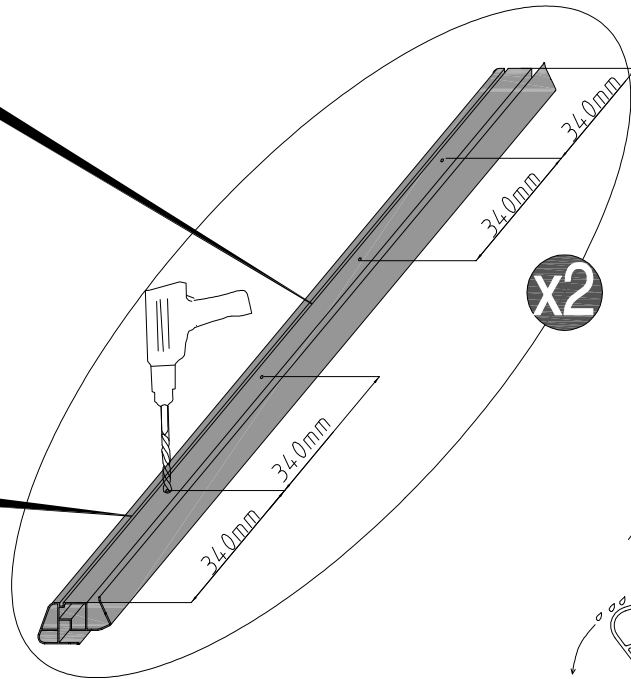
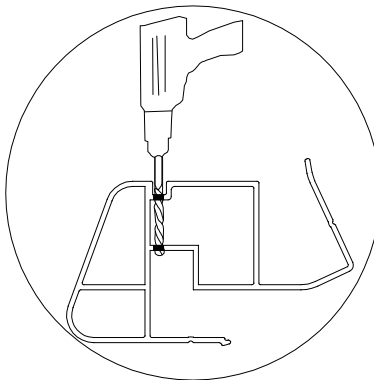
Ø8mm

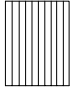
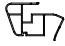



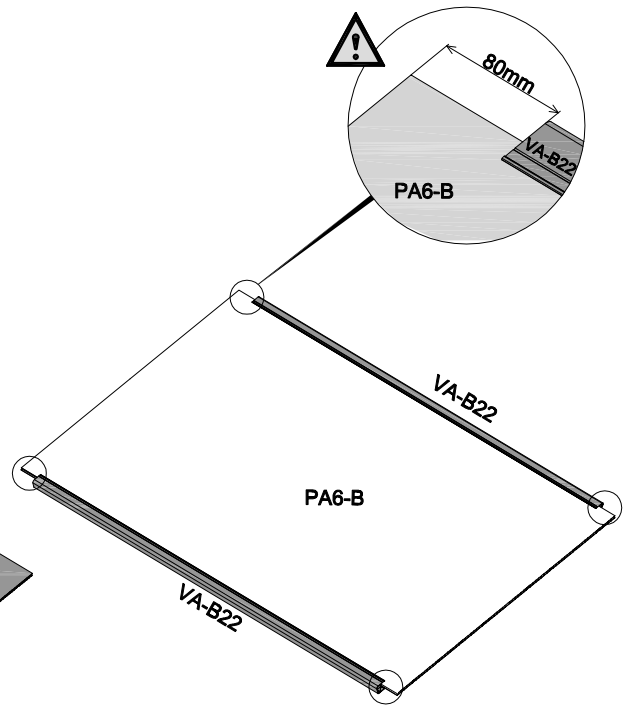
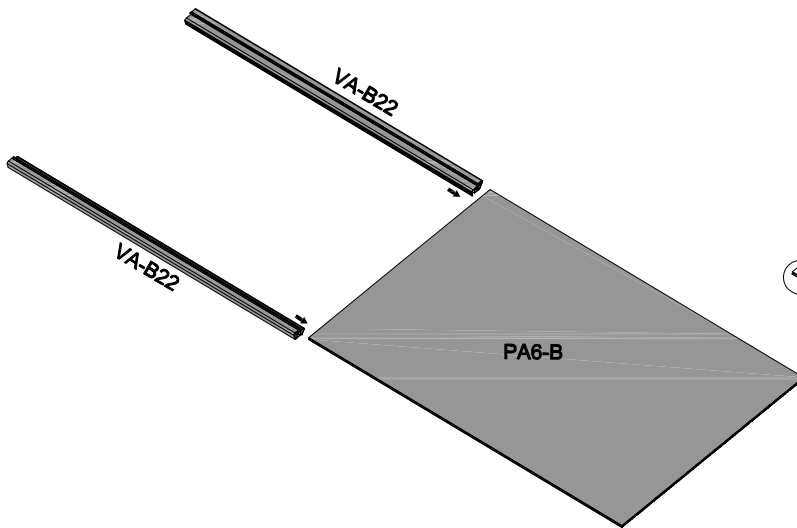
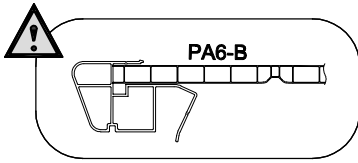
VA-B22 [x2]  
1705mm





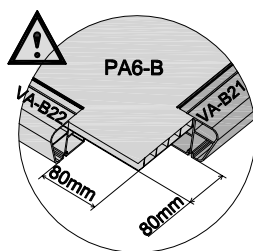
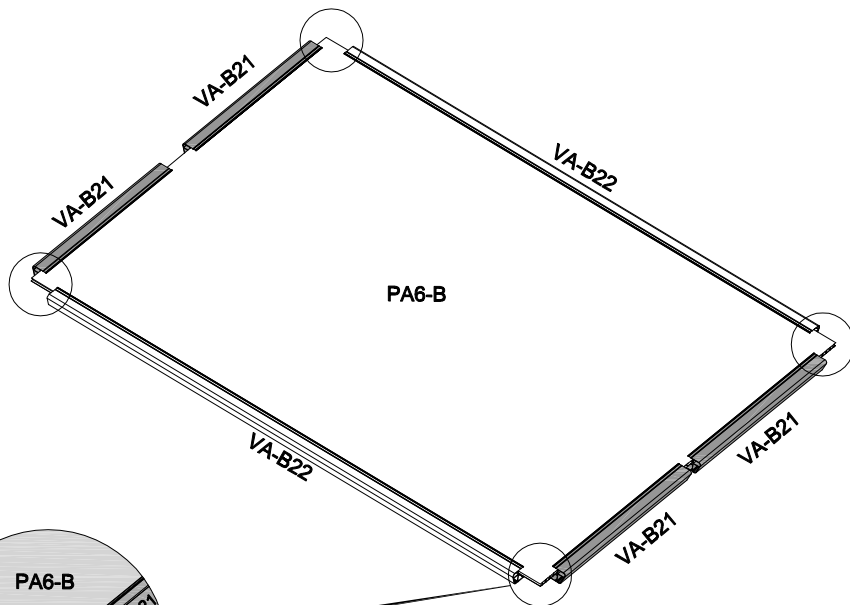
VA-B21 [x4]  
564mm



|    |   |   |   |  |
|----|---|---|---|--|
| 21 |  <p>PA6-B [x1]<br/>1865x1433mm</p> |  <p>VA-B22 [x2]<br/>1705mm</p> |  <p>CN-A33</p> |  |
|----|---|---|---|--|



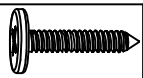
|    |  |   |  |
|----|--|---|--|
| 22 |  <p>VA-B21 [x4]<br/>564mm</p> |  <p>CN-A33</p> |  |
|----|--|---|--|



23



PPX3[x4]



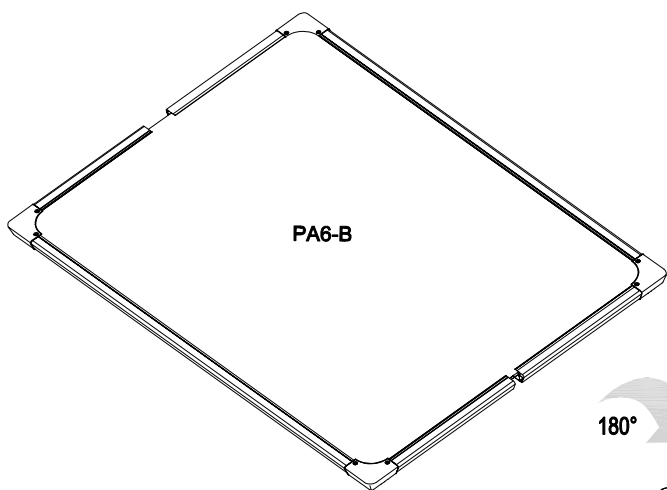
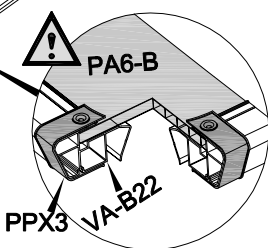
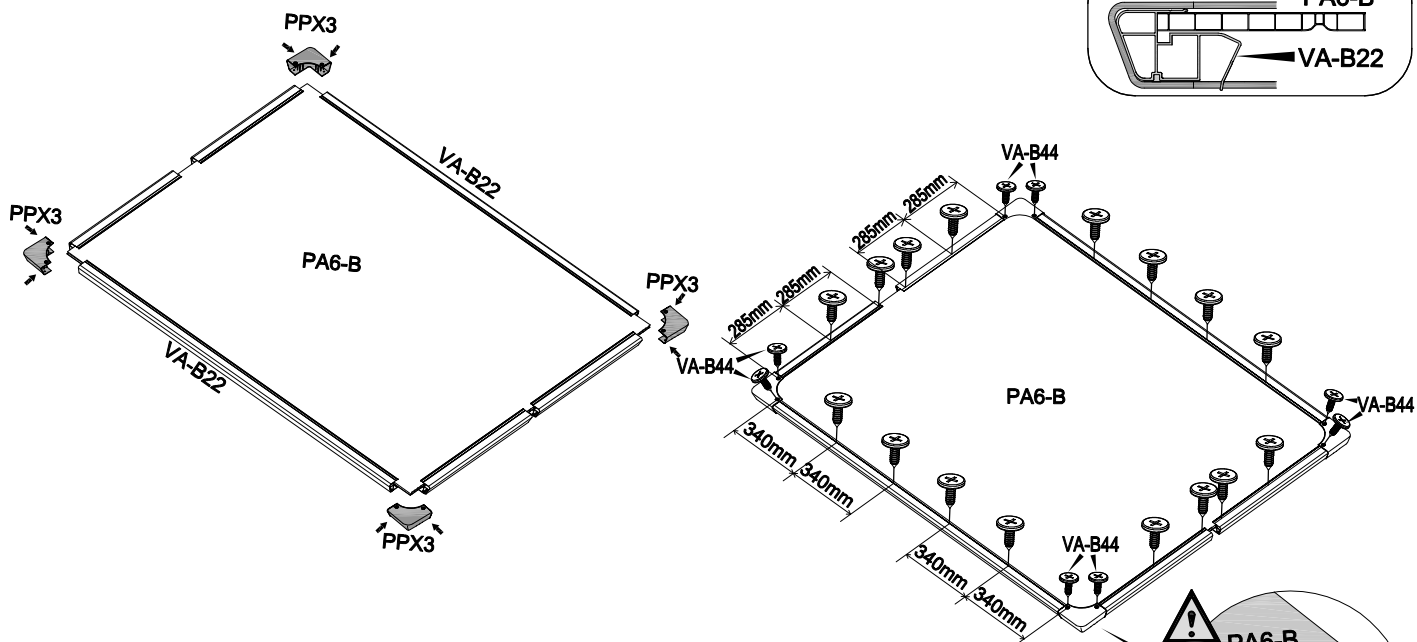
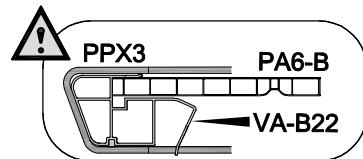
VA-B45 [x24]  
19mm



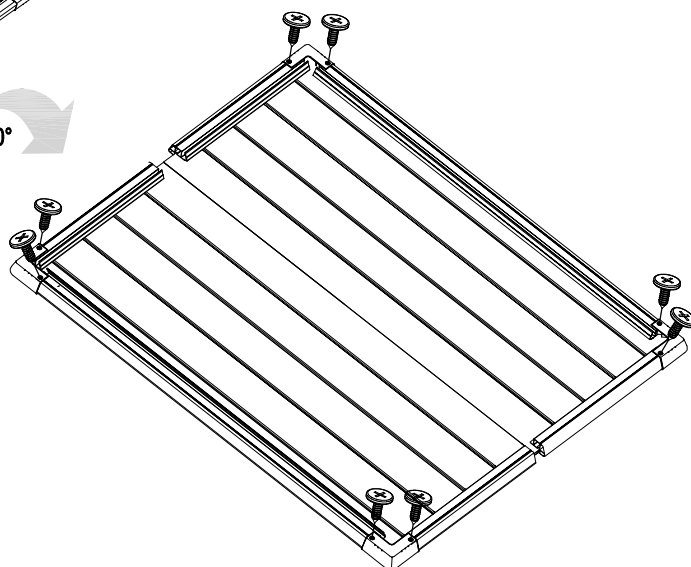
VA-B44 [x8]  
13mm



CN-A33



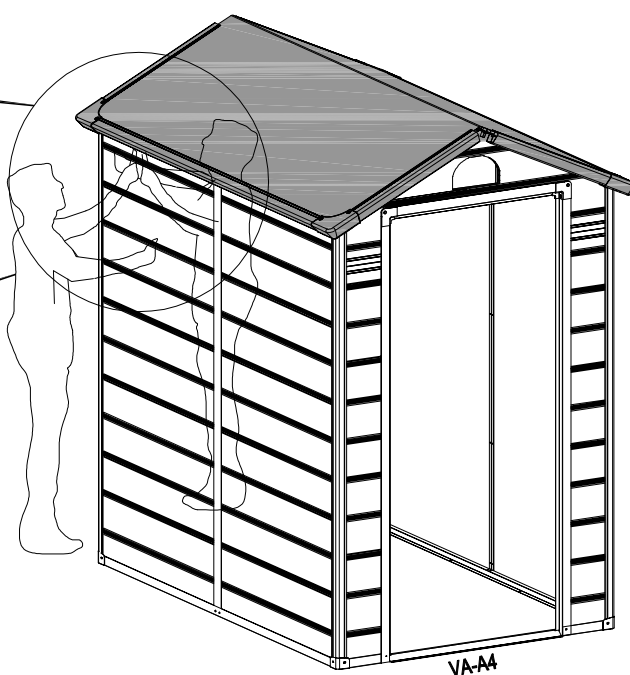
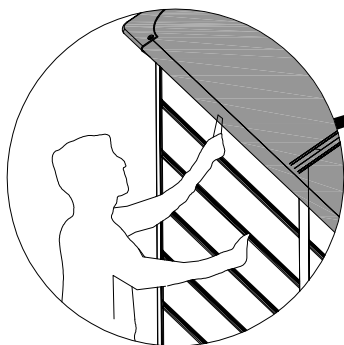
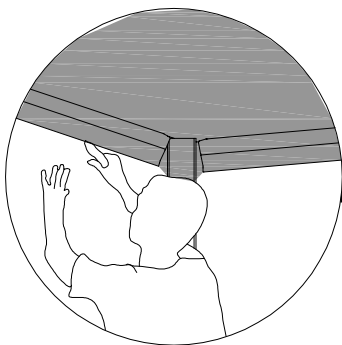
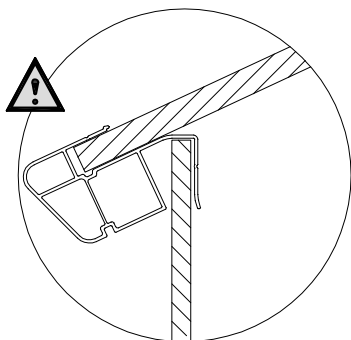
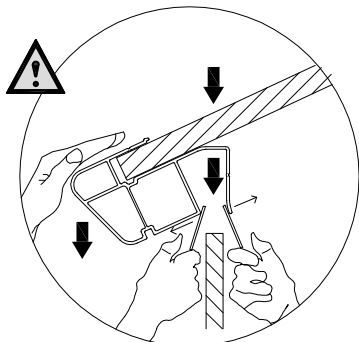
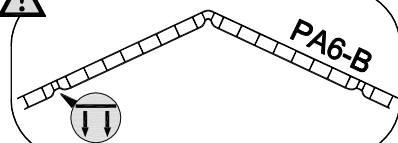
180°



24



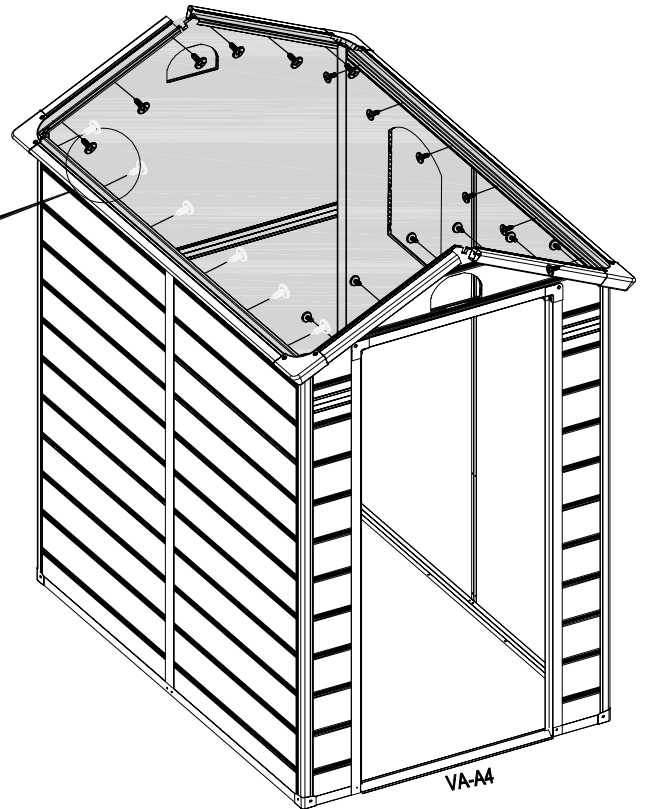
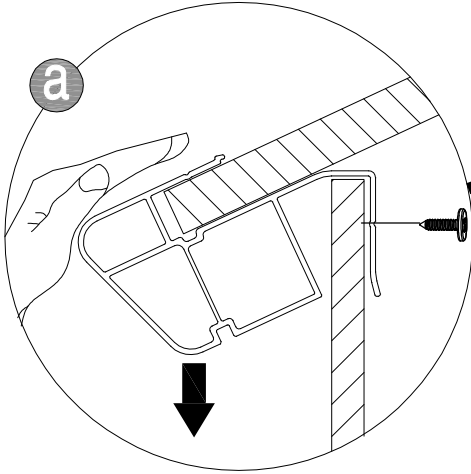
CN-A33



25



VA-B45 [x24]  
19mm



26



VA-B24 [x1]  
1900mm



PPX4 [x2]



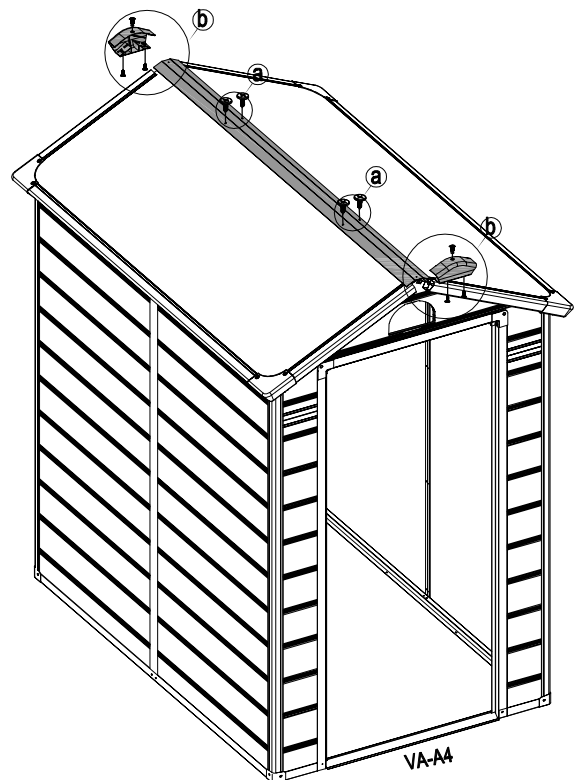
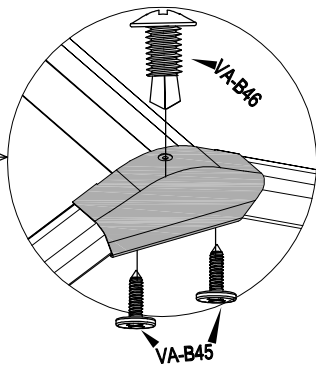
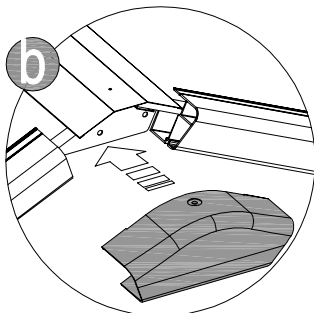
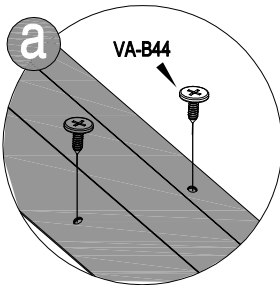
VA-B44 [x4]  
13mm



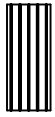
VA-B45 [x4]  
19mm



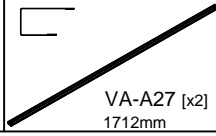
VA-B46 [x2]  
13mm



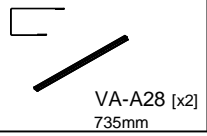
27



PA7S [x1]  
1710x735mm



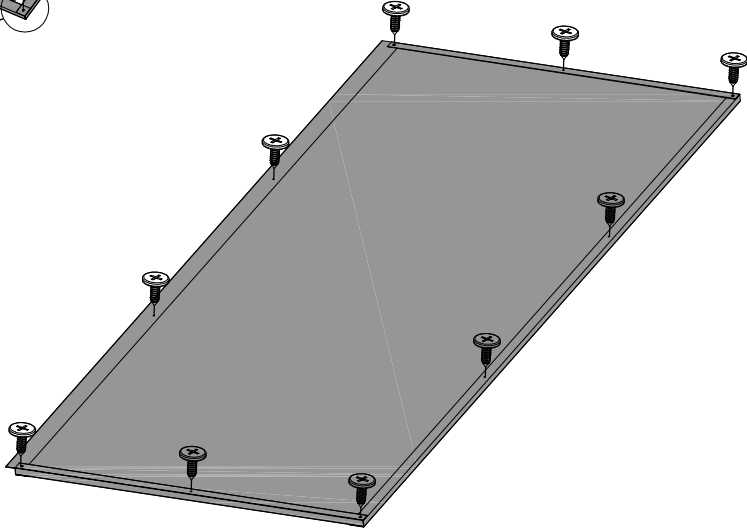
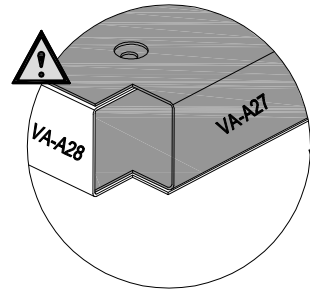
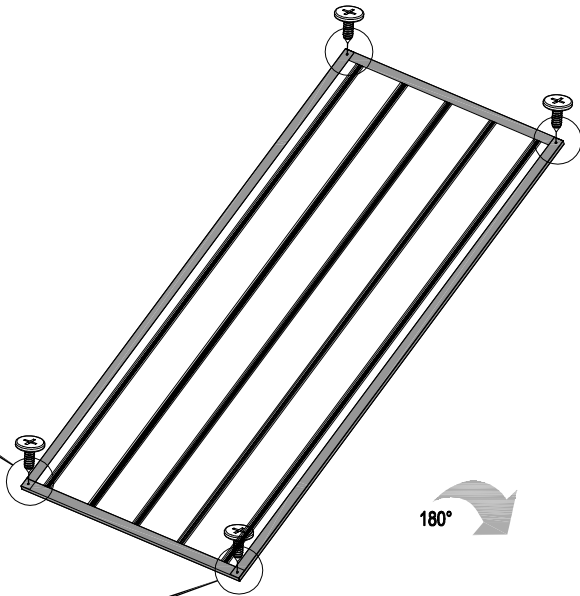
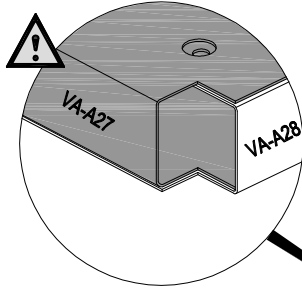
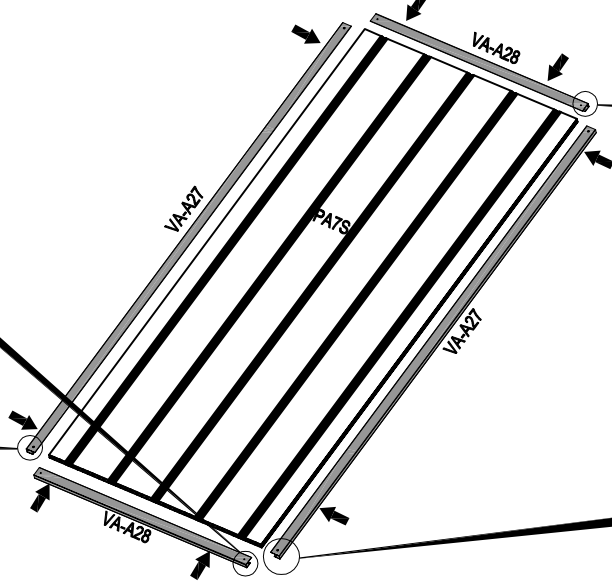
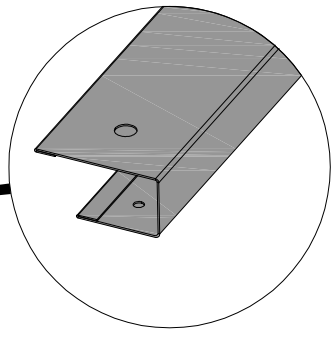
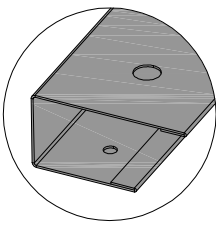
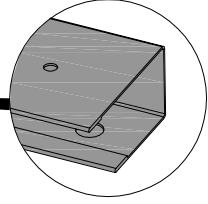
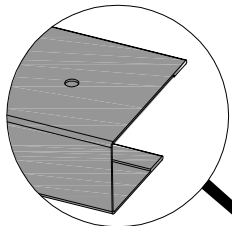
VA-A27 [x2]  
1712mm



VA-A28 [x2]  
735mm



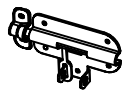
VA-B44 [x14]  
13mm



28



VA-41 [x2]



VA-40 [x1]



PA01 [x3]



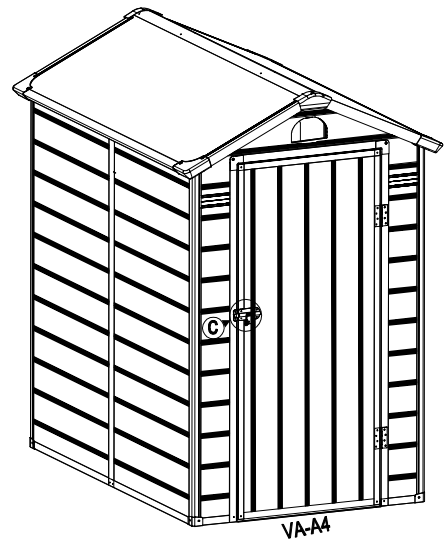
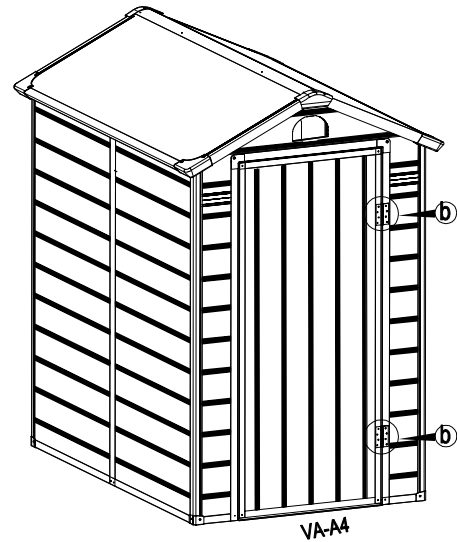
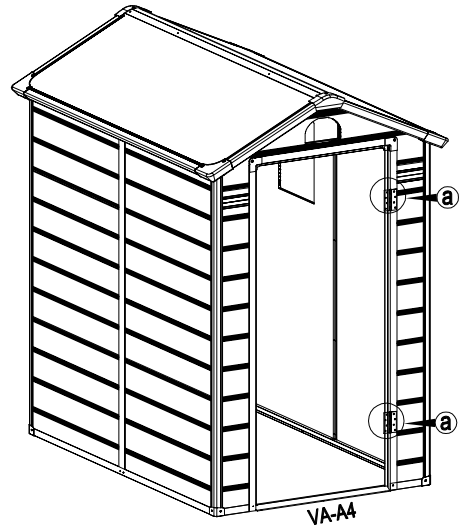
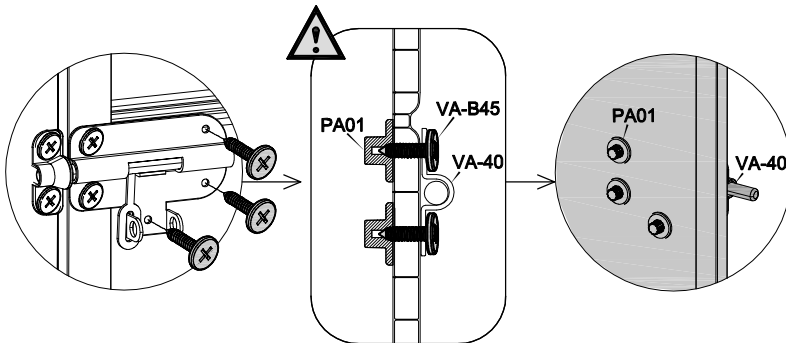
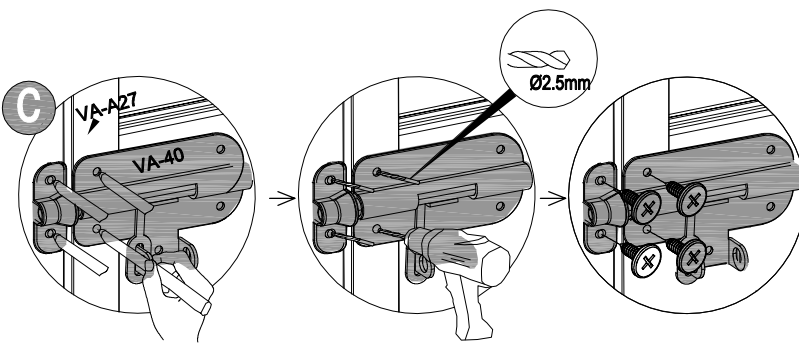
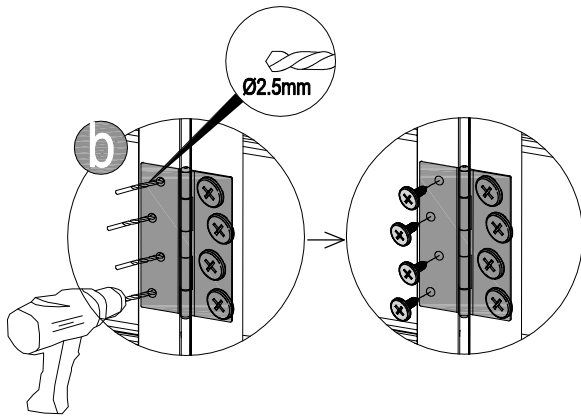
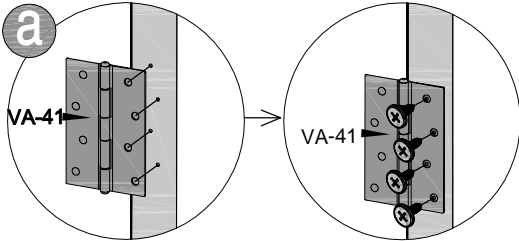
VA-B44 [x20]  
12mm



VA-B45 [x3]  
19mm

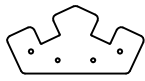


Ø2.5mm





29



VA-36 [x2]



VA-32L [x2]



VA-32R [x2]



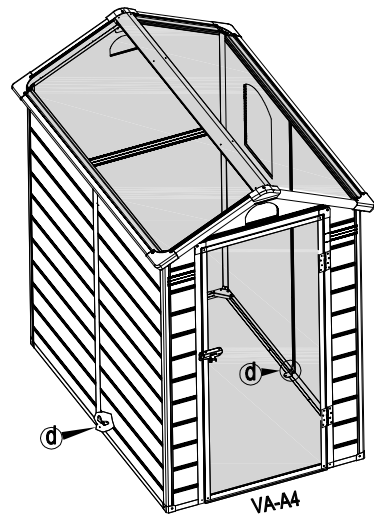
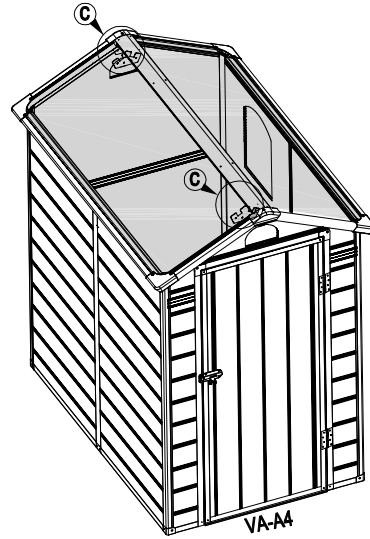
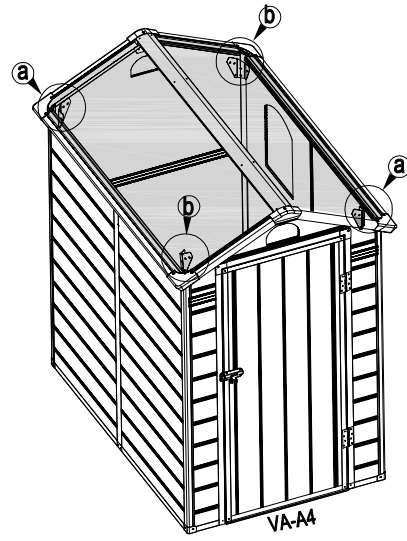
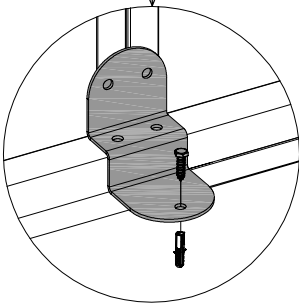
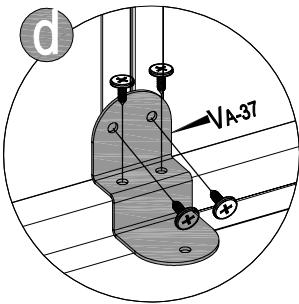
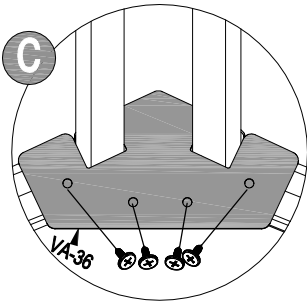
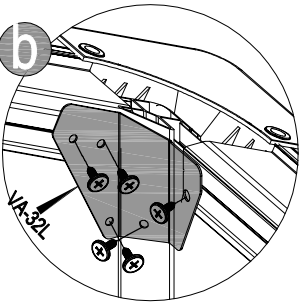
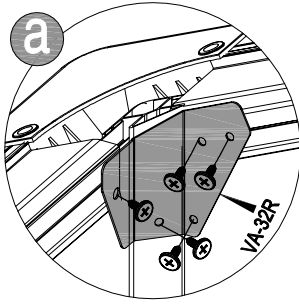
VA-37 [x2]



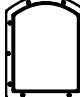
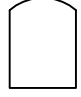





VA-B44 [x36]  
13mm



VA-B48 [x2]



|    |   |   |   |   |  |   |   |
|----|---|---|---|---|--|---|---|
| 30 | <br>PPX14 [x2] | <br>PPX12 [x1] | <br>PPX13 [x1] | <br>W2S [x1] | <br>VA-51 [x1] | <br>VA-B44 [x10]<br>13mm |  |
|----|---|---|---|---|--|---|---|

