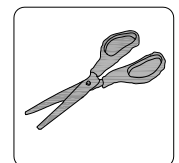
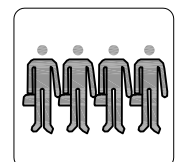
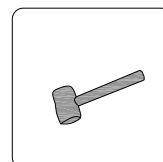
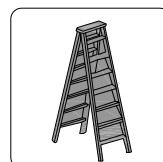
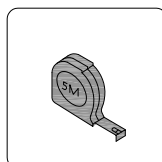
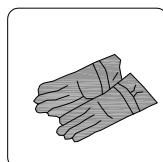
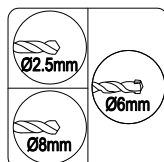
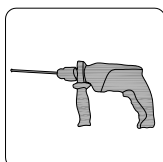
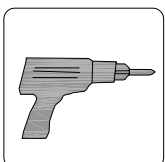
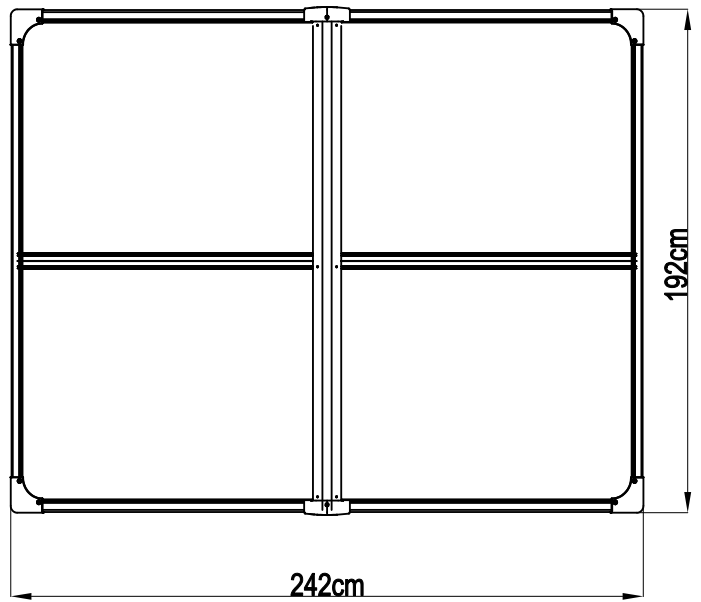
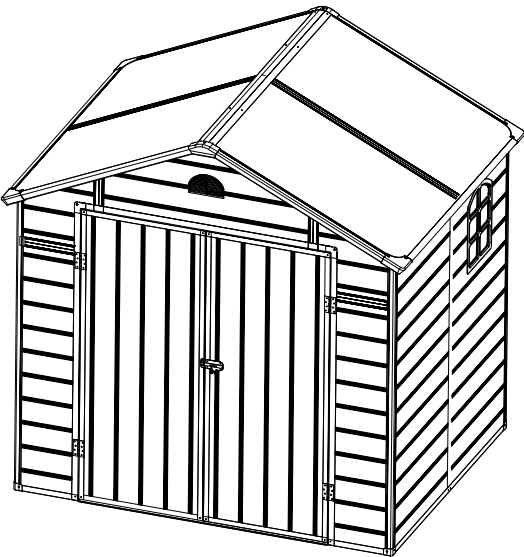
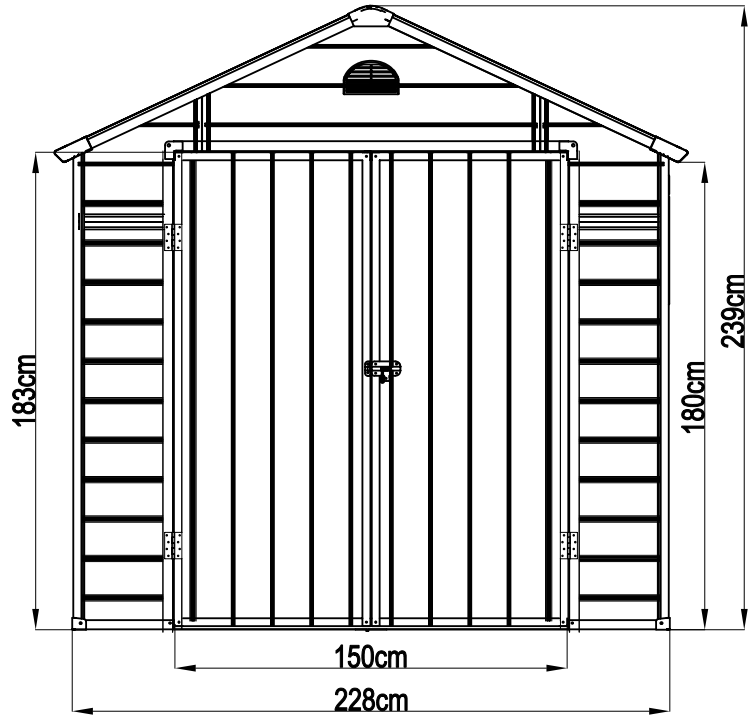
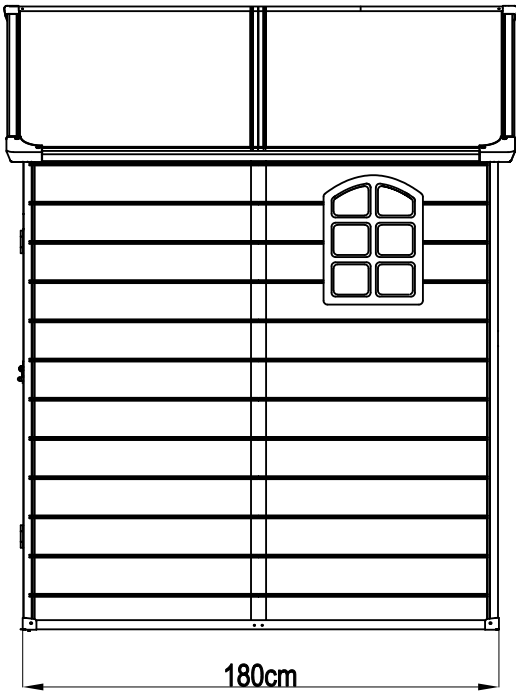


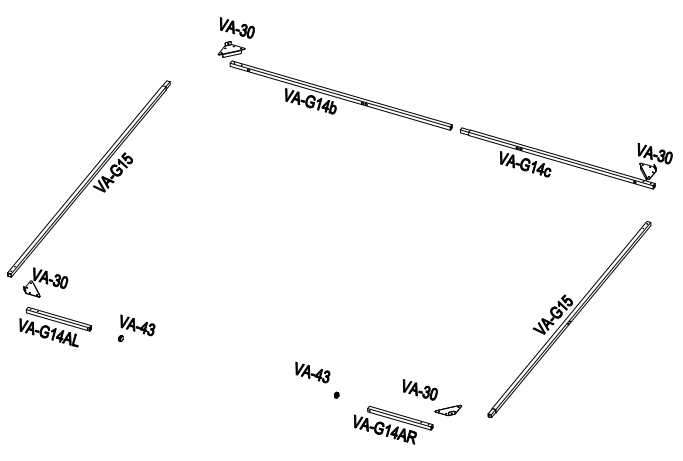
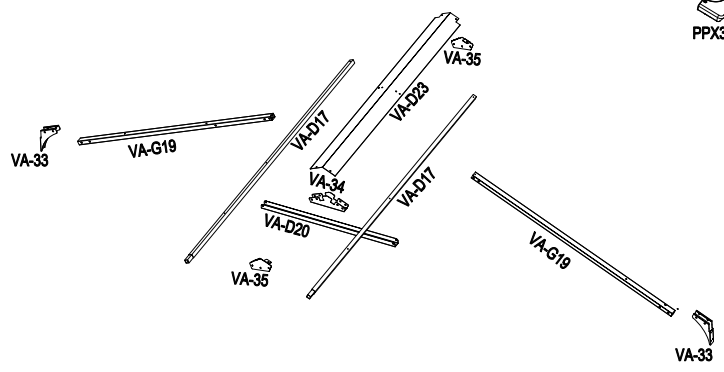
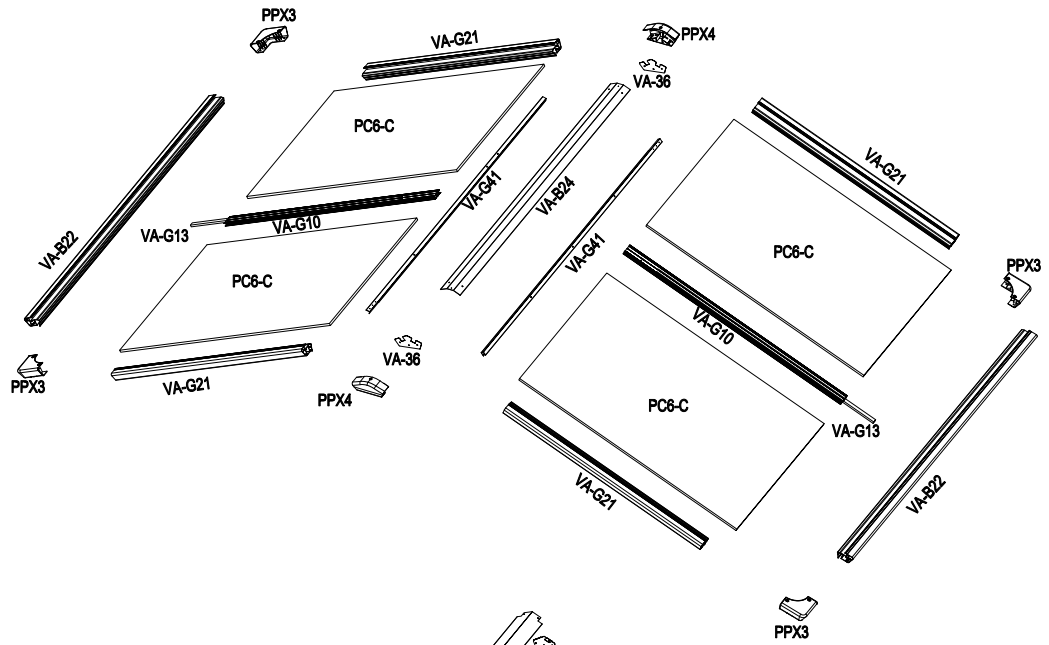
Airevale 8x6 Apex Plastic Shed

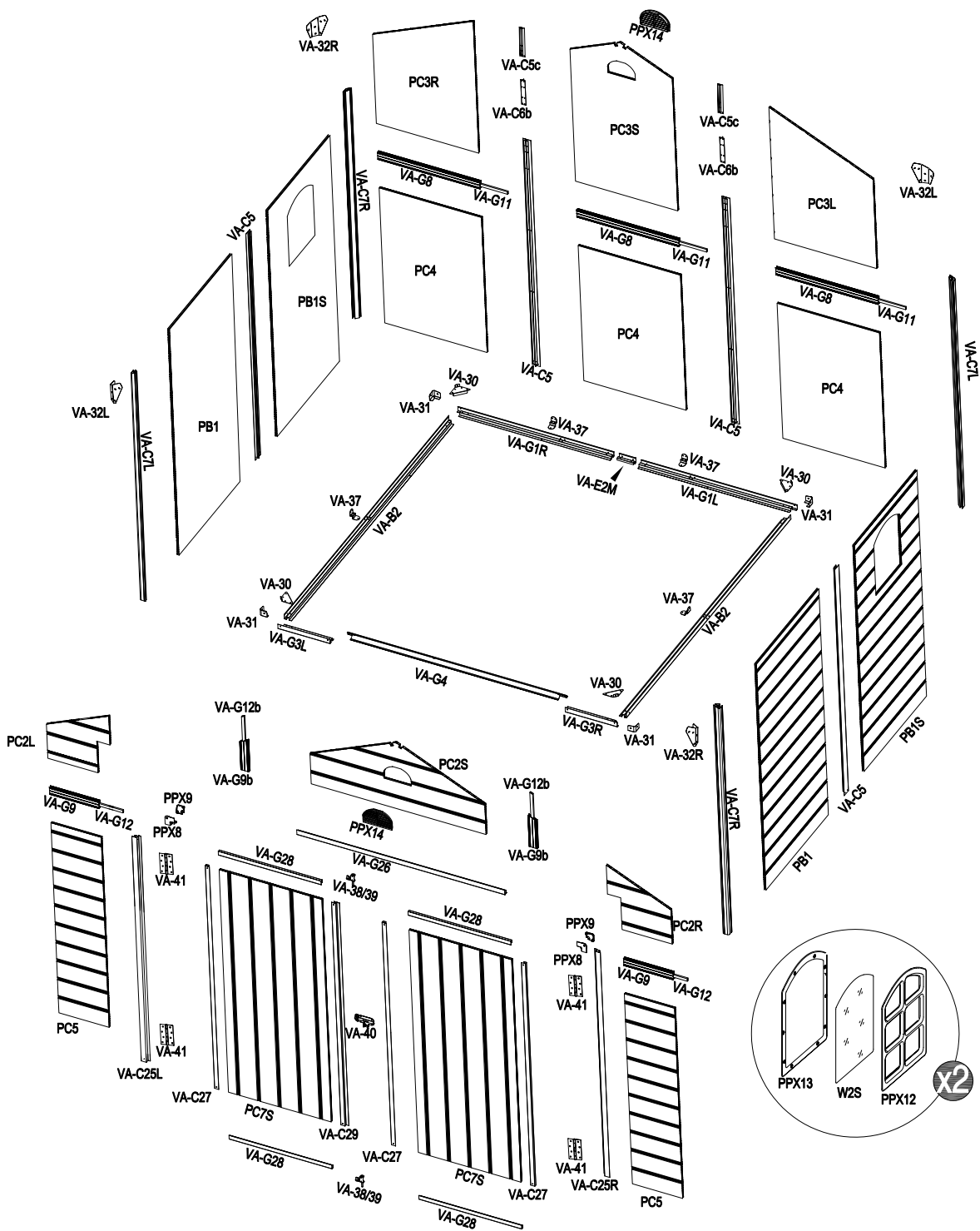
Light Grey: SS549



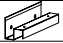
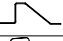












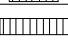

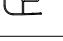

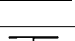



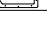




Dark Grey: SS550






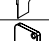



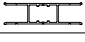

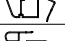
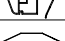
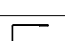




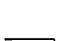
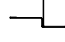










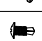
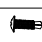













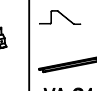


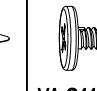


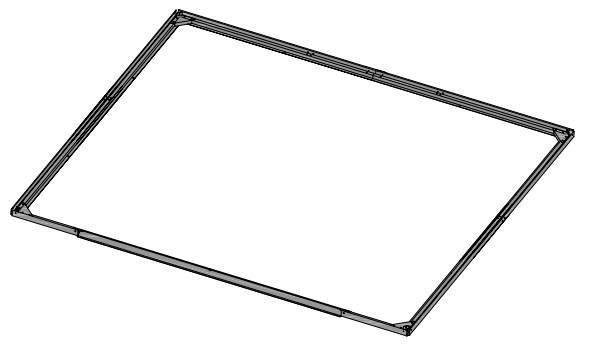
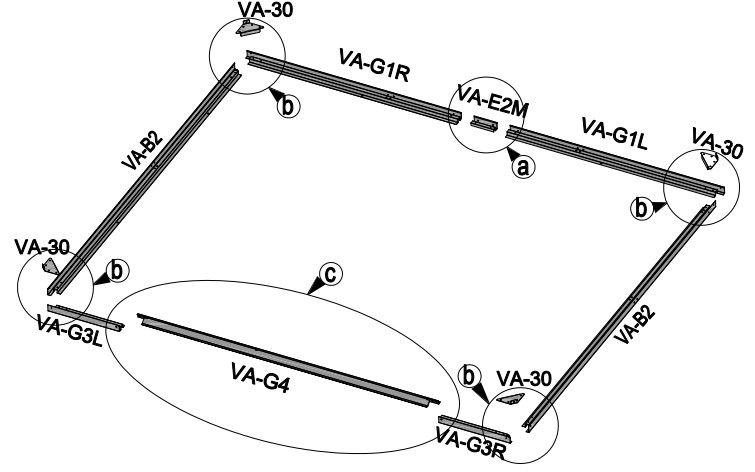
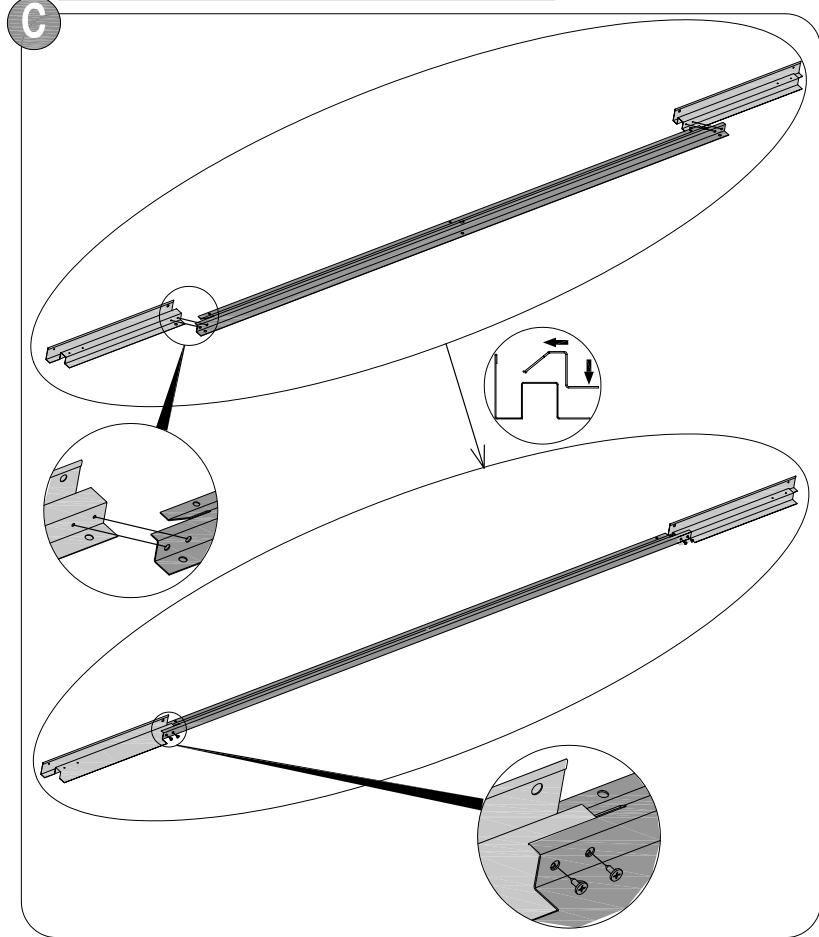
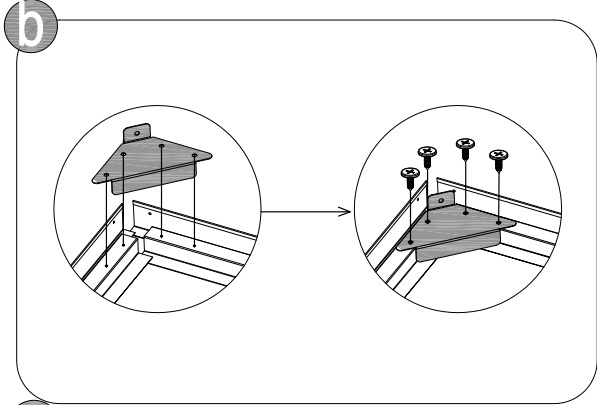
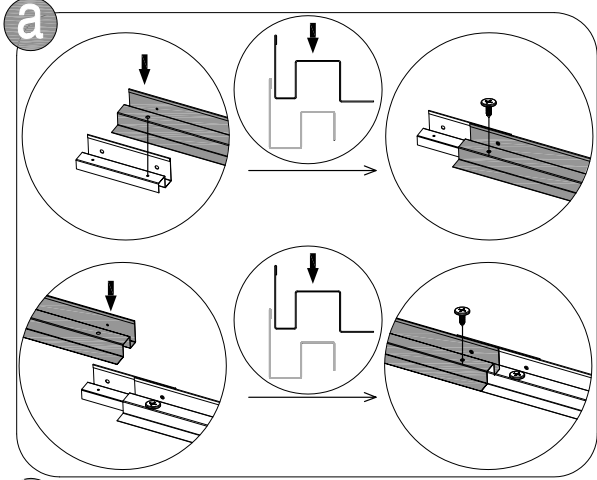




				
VA-G1L		1132mm	x1	3/3
VA-G1R		1132mm	x1	3/3
VA-B2		1780mm	x2	3/3
VA-G3R		377mm	x1	3/3
VA-G3L		377mm	x1	3/3
VA-E2M		120mm	x1	3/3
VA-G4		1588mm	x1	3/3
VA-30			x8	2/3
VA-31			x4	2/3
VA-37			x4	2/3
				
PB1		876X1840mm	x2	1/3
PB1S		876X1840mm	x2	1/3
PC2S		1270X542mm	x1	2/3
PC2L		461X492mm	x1	2/3
PC2R		461X492mm	x1	2/3
PC3L		743X1072mm	x1	1/3
PC3R		743X1072mm	x1	1/3
PC3S		743X1248mm	x1	2/3
PC4		743X1100mm	x3	2/3
PC5		365X1548mm	x2	1/3
VA-C7R		1860mm	x2	1/3
VA-C7L		1860mm	x2	1/3
VA-C5		1840mm	x4	3/3
VA-C5c		365mm	x2	3/3
VA-C6b		200mm	x2	3/3
PPX12			x2	2/3
W2S			x2	2/3
PPX13			x2	2/3
VA-G8		738mm	x3	2/3
VA-G9		360mm	x2	2/3
VA-G9b		254mm	x2	2/3
VA-G11		740mm	x3	3/3
VA-G12		362mm	x2	3/3
VA-G12b	225mm	x2	3/3	
VA-G14b		1200mm	x1	3/3
VA-G14c		1052mm	x1	3/3
VA-G14AL		345mm	x1	3/3
VA-G14AR		345mm	x1	3/3
VA-G15		1723mm	x2	3/3
VA-D17		1797mm	x2	3/3
VA-G19		1181mm	x2	3/3
VA-D20	725mm	x1	3/3	
VA-33			x2	3/3
VA-34			x1	3/3
VA-D23		1797mm	x1	3/3
VA-36			x2	2/3

VA-32R			x2	2/3
VA-32L			x2	2/3
VA-35			x2	2/3
VA-43			x2	2/3
PPX14			x2	2/3
PPX8			x2	2/3
PPX9			x2	2/3
				
PC6-C		1285X920mm	x4	2/3
VA-G10		1285mm	x2	2/3
VA-G13		1285mm	x2	3/3
VA-G21		1165mm	x4	2/3
VA-B22		1705mm	x2	3/3
VA-B24		1900mm	x1	3/3
VA-G41		1864mm	x2	3/3
PPX3			x4	2/3
PPX4			x2	2/3
				
VA-C25R		1830mm	x1	3/3
VA-C25L		1830mm	x1	3/3
VA-G26		1508mm	x1	3/3
VA-C27		1812mm	x3	3/3
VA-G28		747mm	x4	3/3
VA-C29		1812mm	x1	3/3
PC7S		1810X746mm	x2	1/3
VA-41			x4	2/3
VA-38a			x2	2/3
VA-38b			x2	2/3
VA-39			x2	2/3
VA-40			x1	2/3
CN-A33			x2	2/3
PA01			x3	2/3
VA-G44		ST4.2x13mm	x300	2/3
VA-G45		ST4.2x19mm	x105	2/3
VA-G46		ST4.2x13mm	x29	2/3
VA-G47		ST4.2x19mm	x4	2/3
VA-G48		ST6.0x40mm	x13	2/3
VA-G49		ST4.2x13mm	x14	2/3
VA-G50		M6x40mm	x10	2/3
VA-51			x2	2/3
VA-53			x1	2/3

1	 VA-B2 [x2] 1780mm	 VA-G1L [x1] 1132mm	 VA-G1R [x1] 1132mm	 VA-G3L [x1] 377mm	 VA-G3R [x1] 377mm	 VA-G4 [x1] 1588mm	 VA-E2M [x1] 120mm	 VA-30 [x4]	 VA-G44 [x22] 13mm
----------	---	--	--	---	---	--	---	---	---



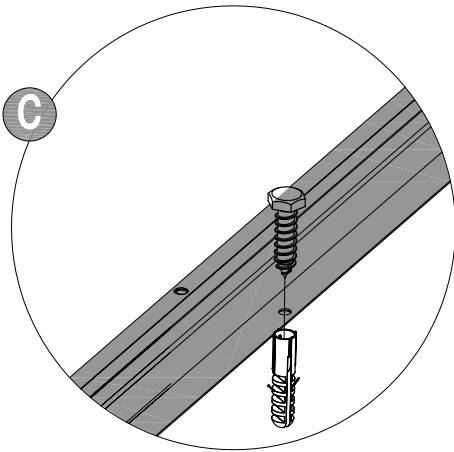
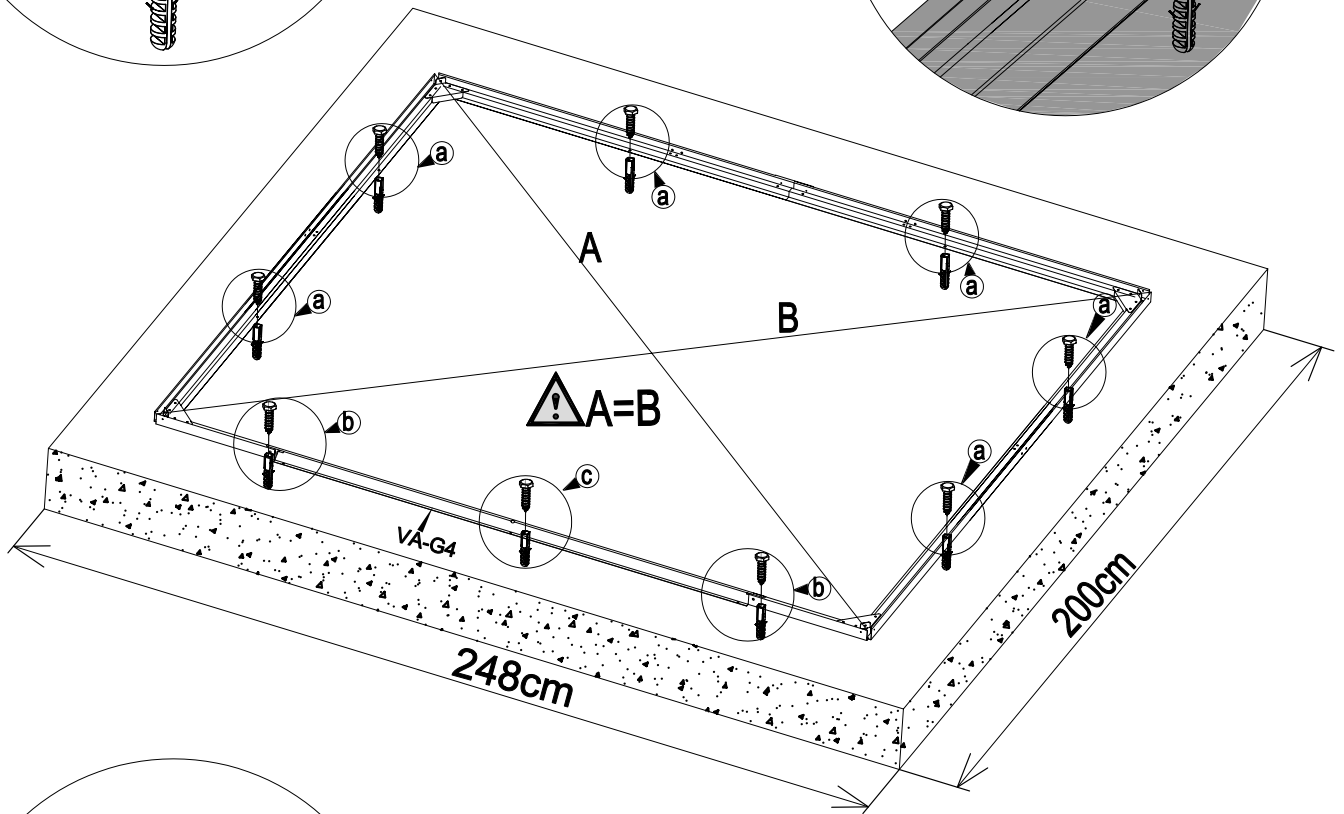
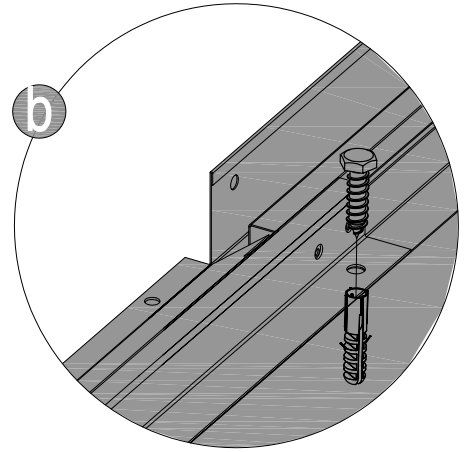
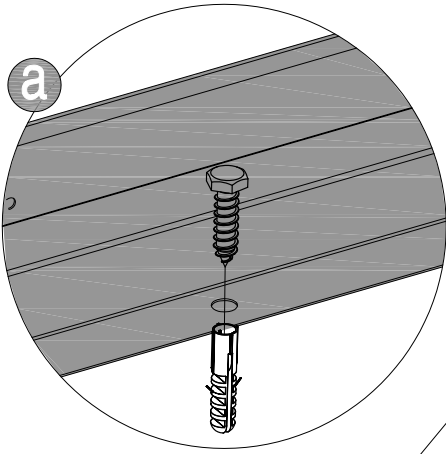
2

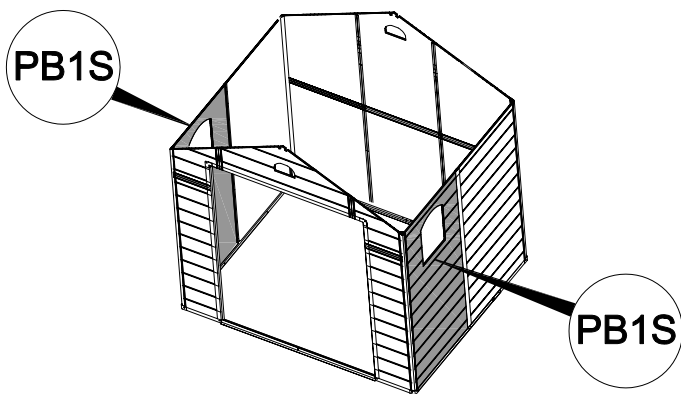
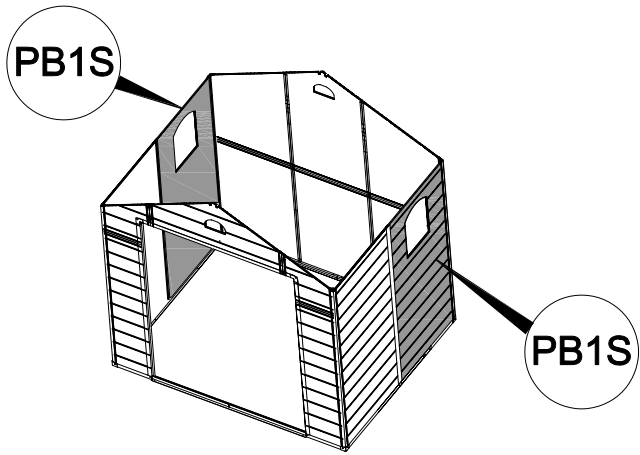



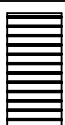


VA-G48 [x9]
40mm

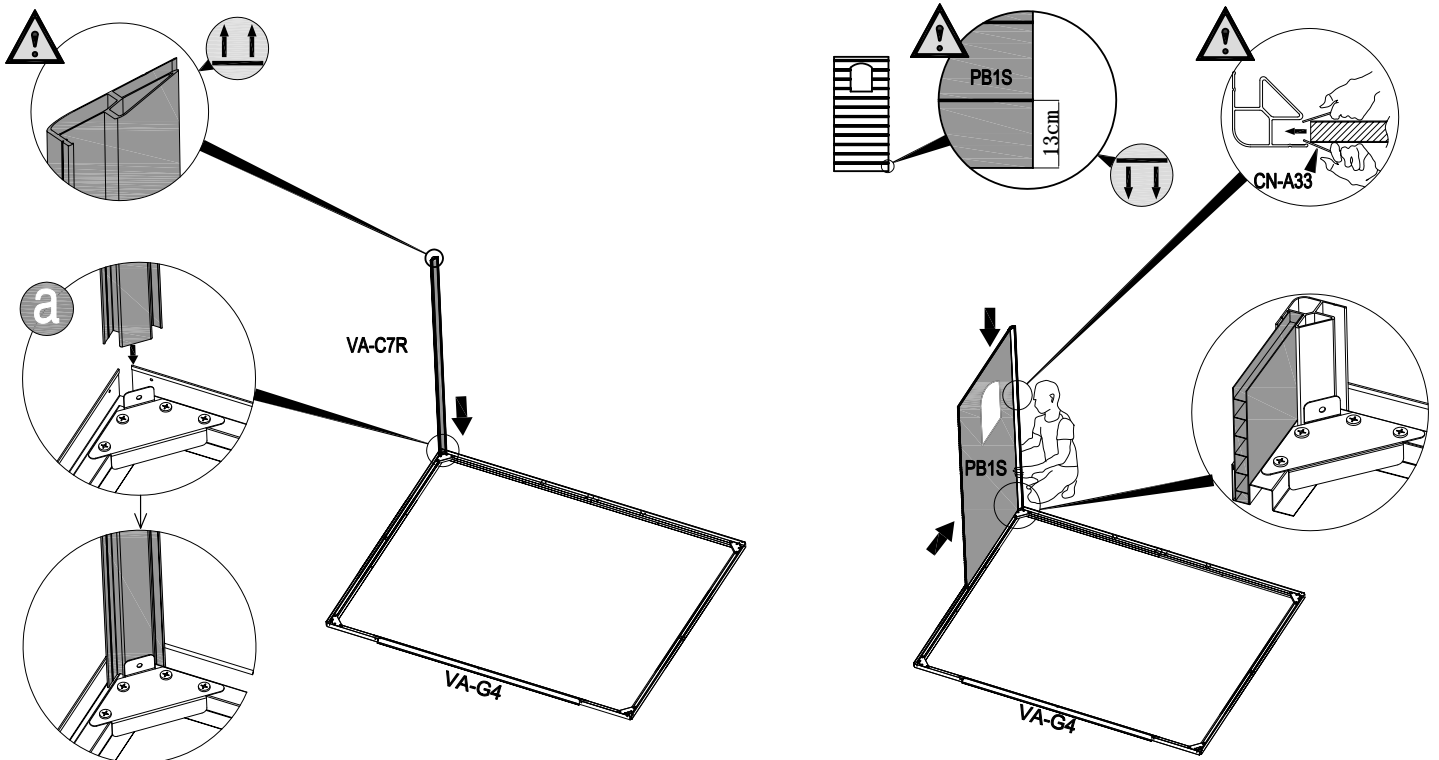




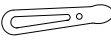

Ø6mm

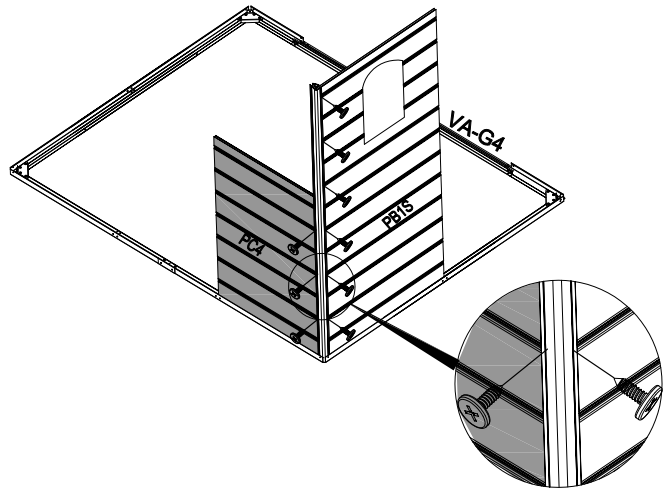
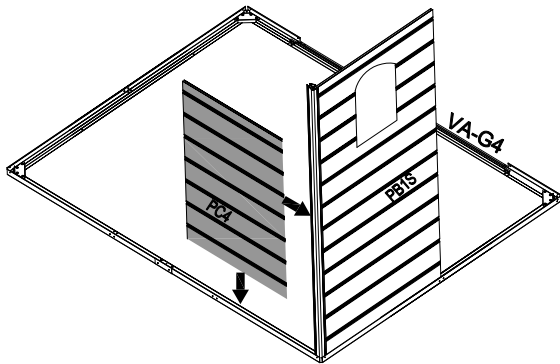
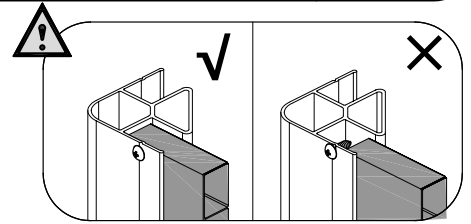
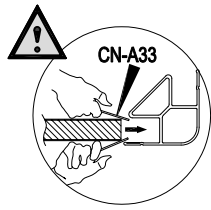
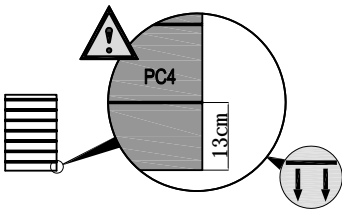



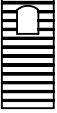

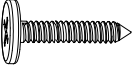
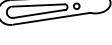
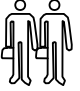


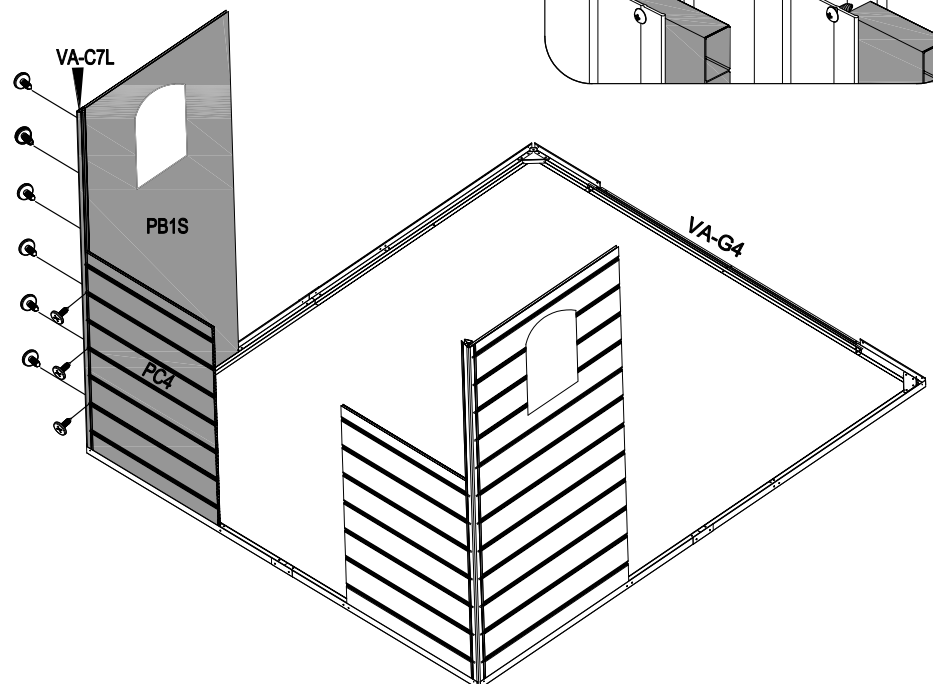
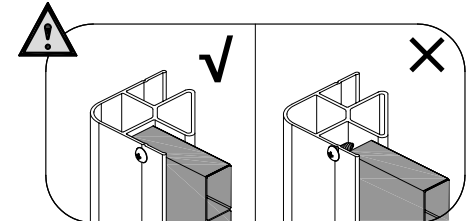
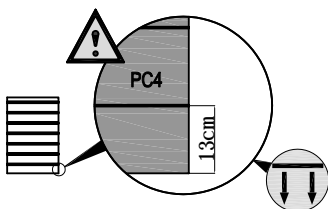
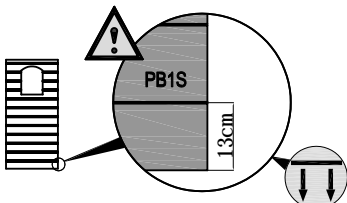
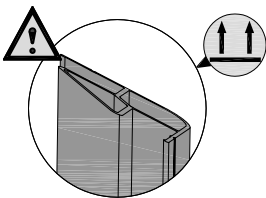
<p>3</p>	 <p>VA-C7R [x1] 1860mm</p>	 <p>PB1S [x1] 876x1840mm</p>	 <p>CN-A33</p>	
-----------------	---	---	---	---






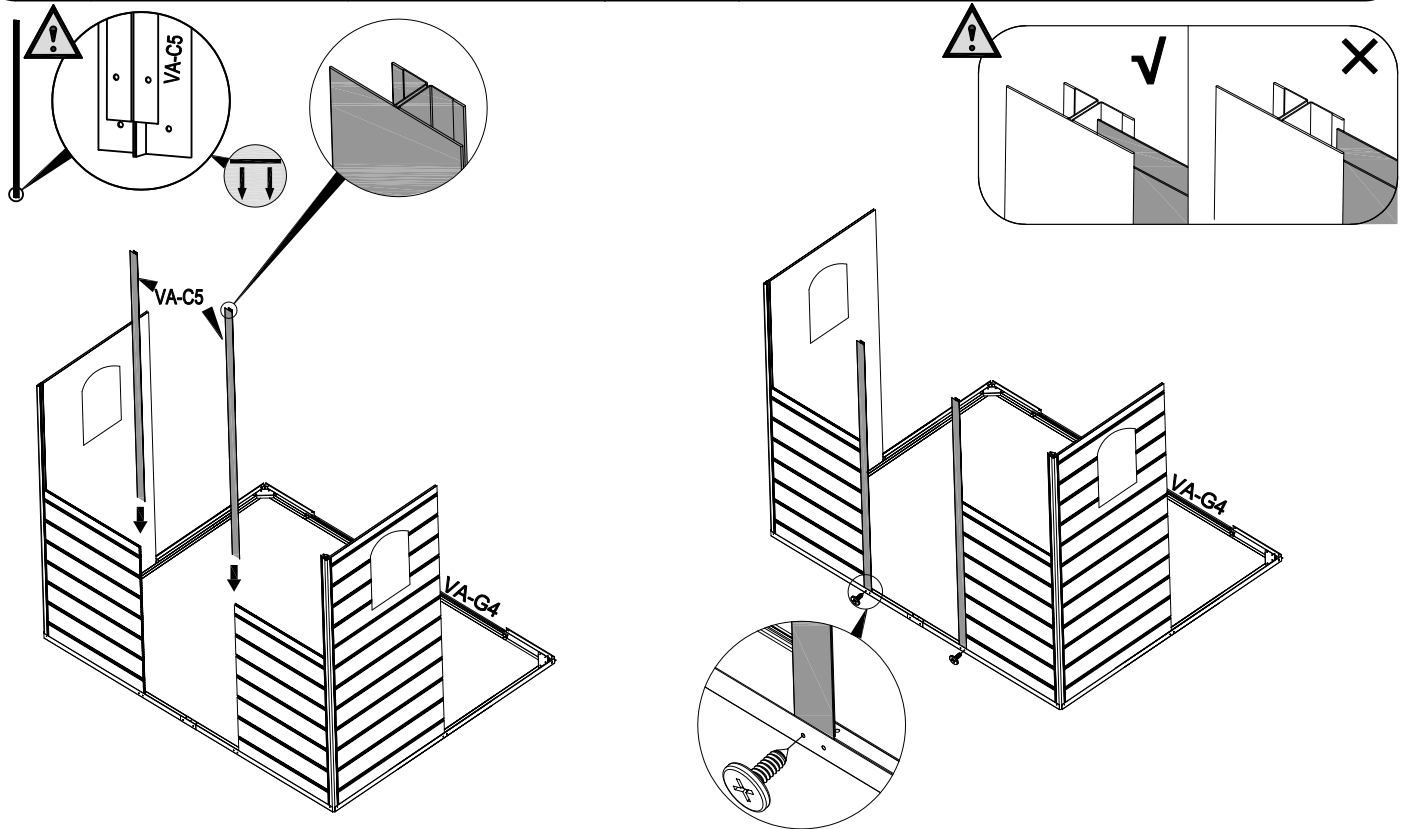
4	 PC4 [x1] 743x1100mm	 VA-G45 [x9] 19mm	 CN-A33	
----------	--	---	--	---

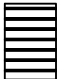

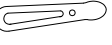



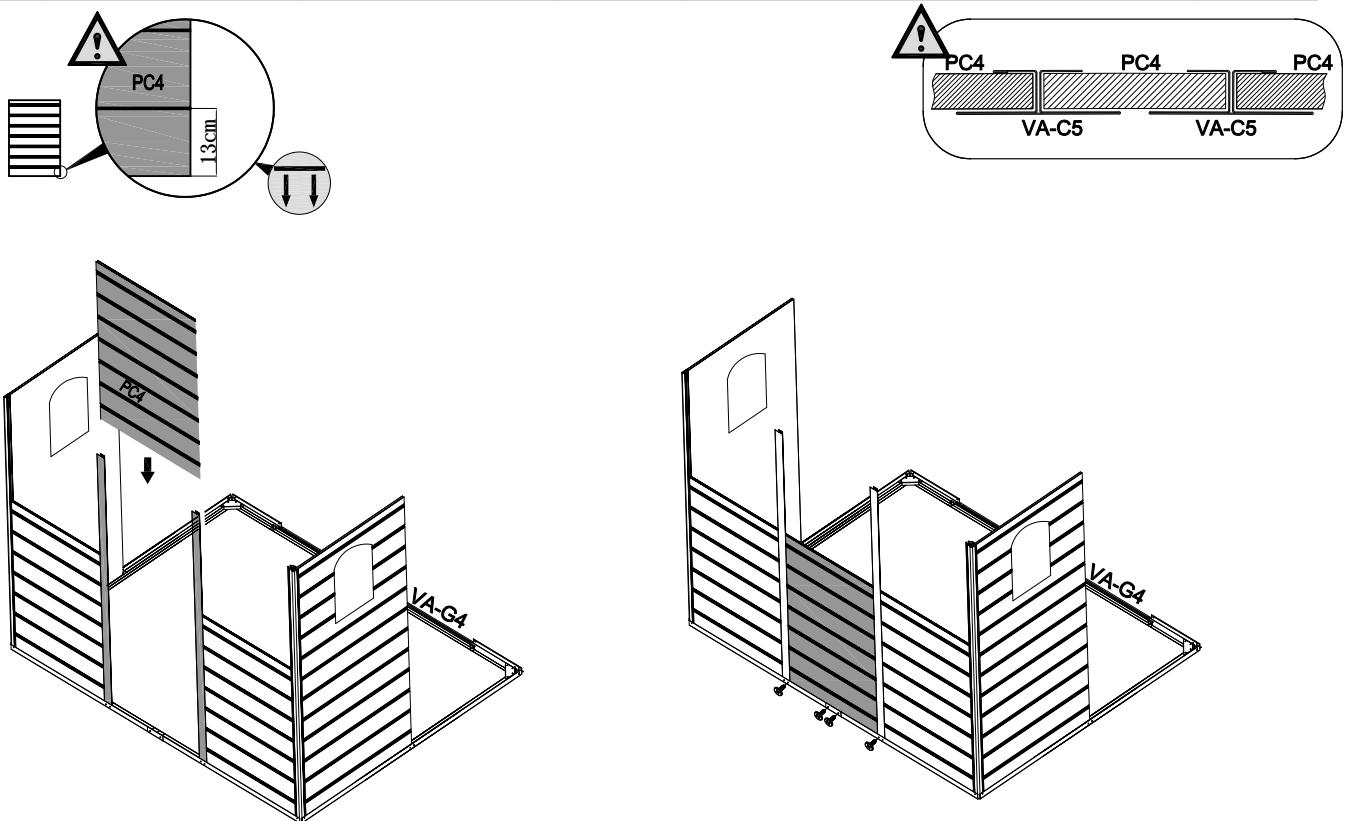
5	 VA-C7L [x1] 1880mm	 PB1S [x1] 876x1840mm	 PC4 [x1] 743x1100mm	 VA-G45 [x9] 19mm	 CN-A33	
----------	---	---	--	---	--	---





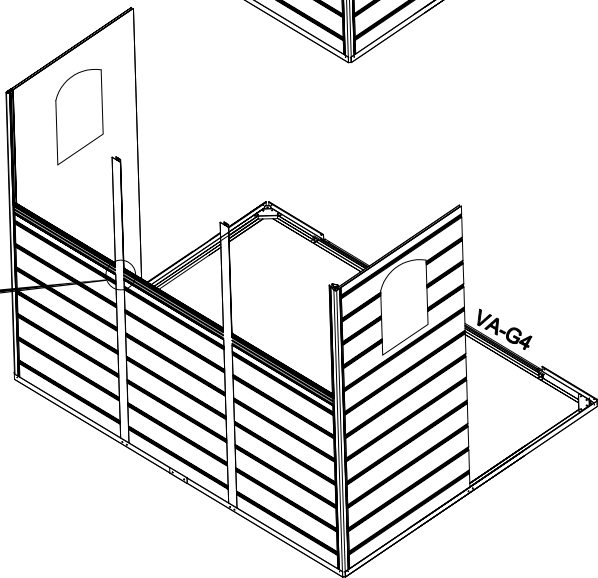
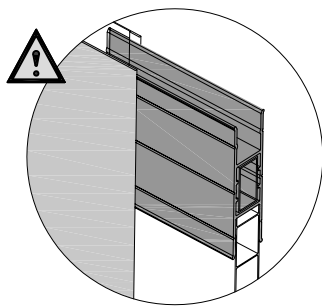
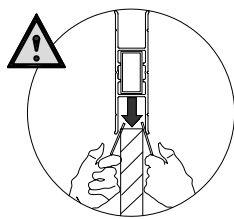
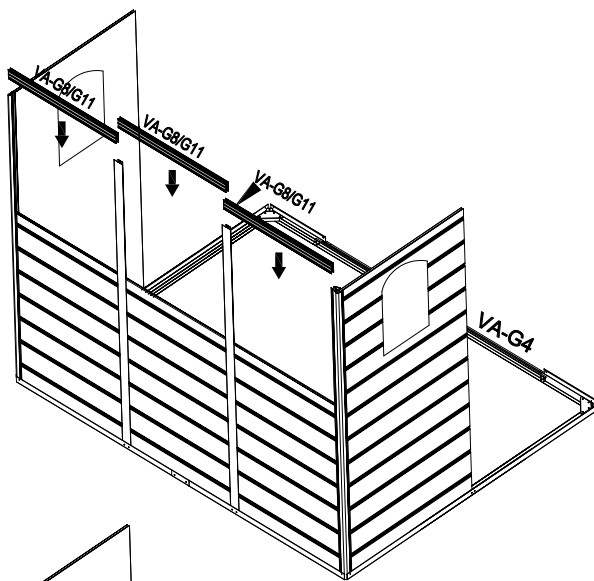
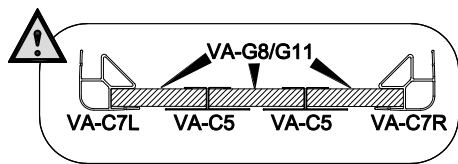
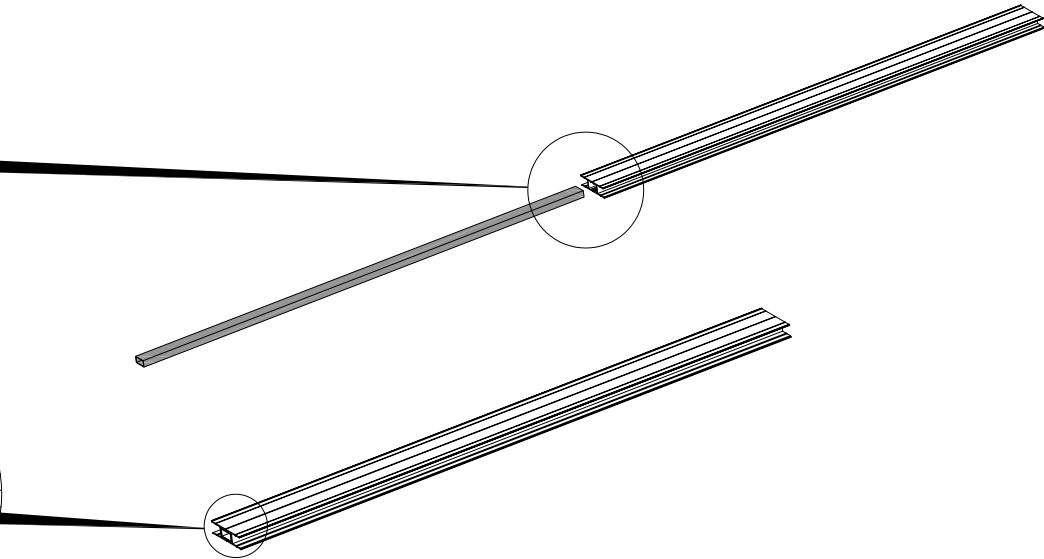
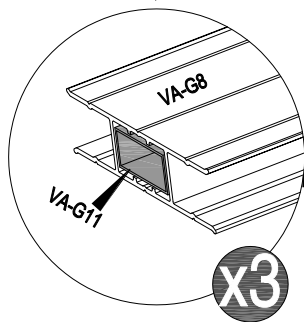
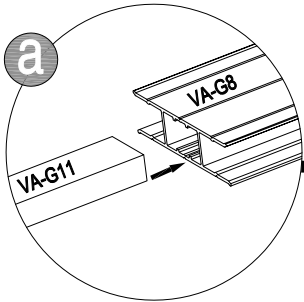
6	 VA-C5 [x2] 1840mm	 VA-G44 [x2] 13mm	 CN-A33	
---	---	--	---	--

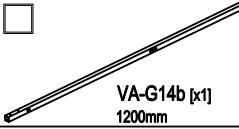
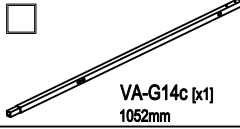
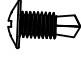


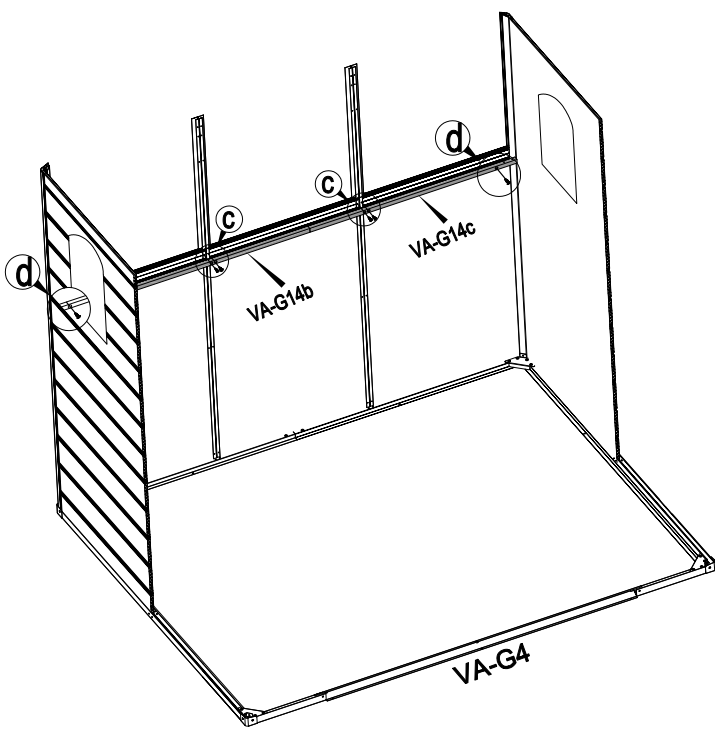
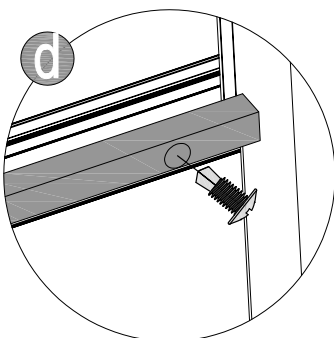
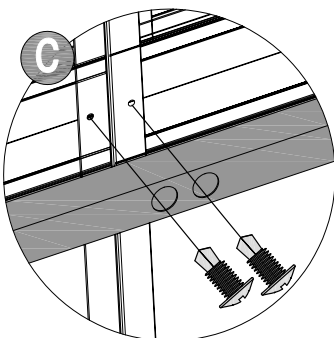
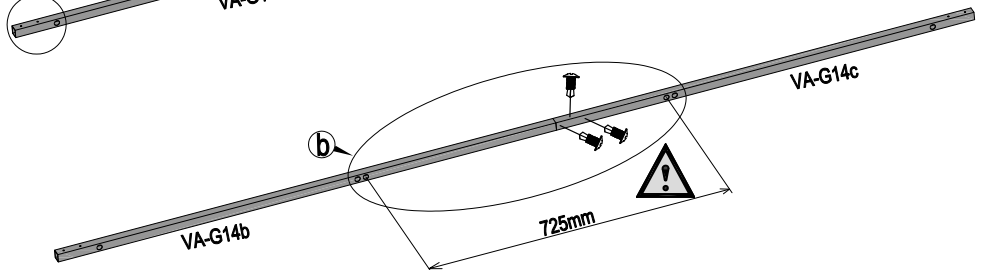
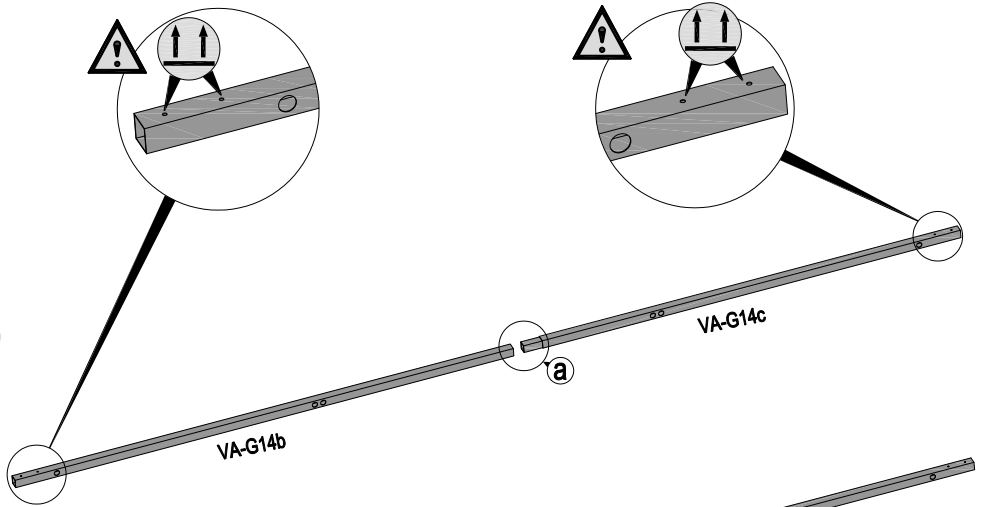
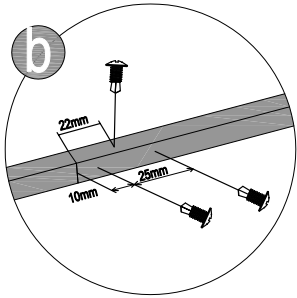
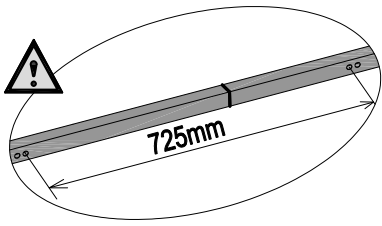
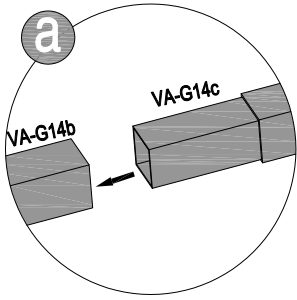
7	 PC4 [x1] 743x1100mm	 VA-G44 [x4] 13mm	 CN-A33		
---	---	--	---	--	---



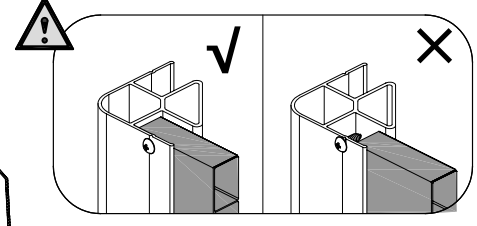
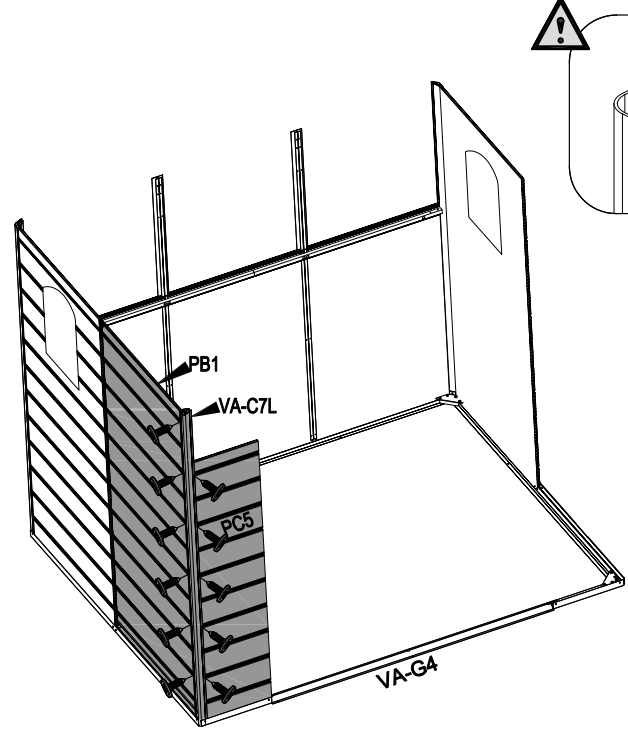
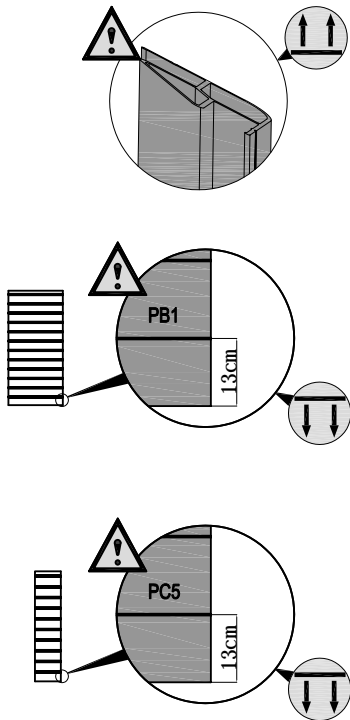
8	 VA-G8 [x3] 738mm	 VA-G11 [x3] 738mm	
----------	--	---	--



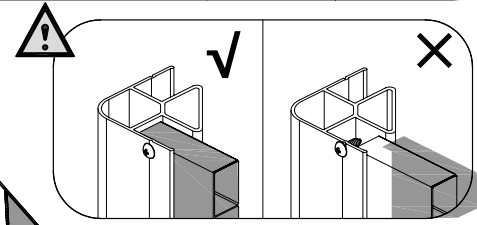
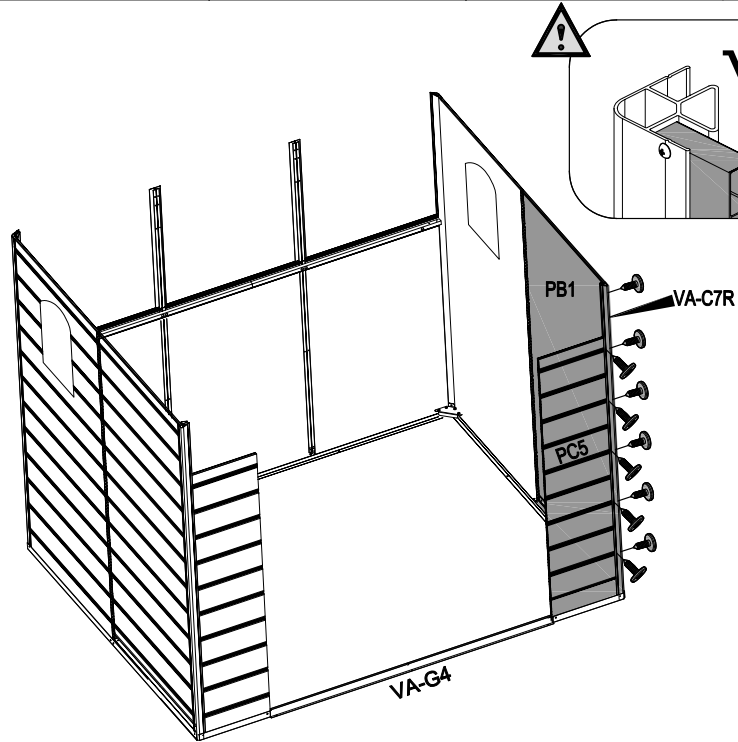
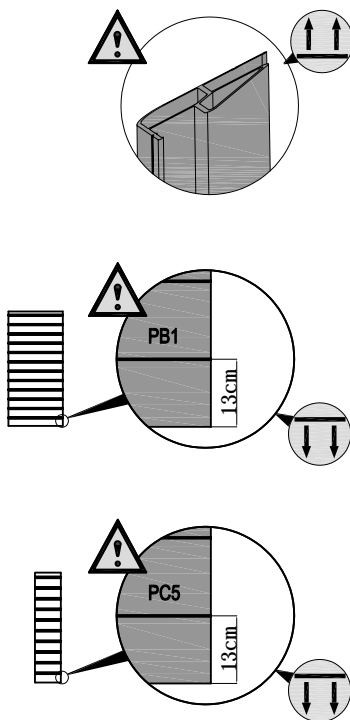
9	 VA-G14b [x1] 1200mm	 VA-G14c [x1] 1052mm	 VA-G46 [x8] 13mm			
---	---	---	--	--	--	--



10						
	VA-C7L [x1] 1860mm					



11						
	VA-C7R [x1] 1860mm					



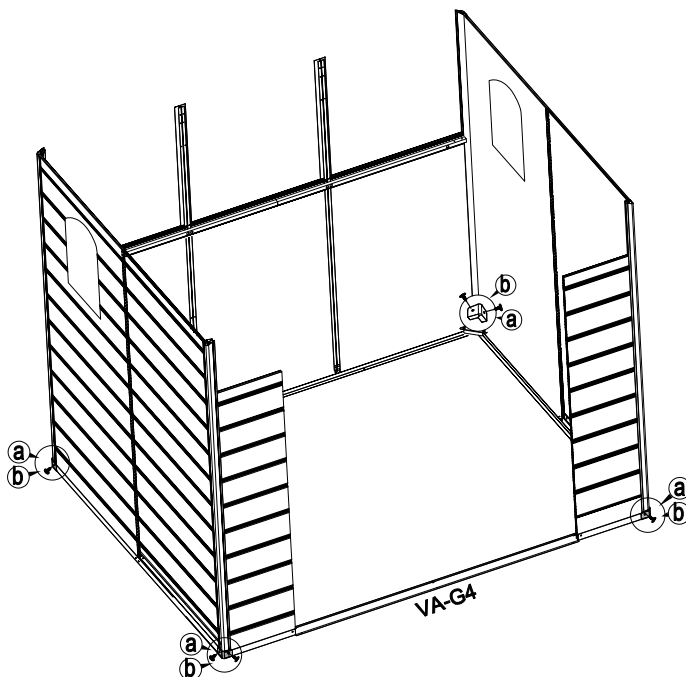
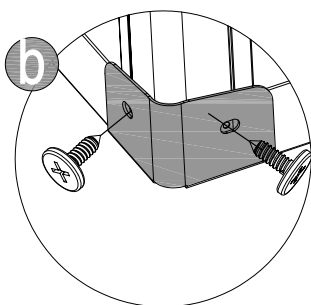
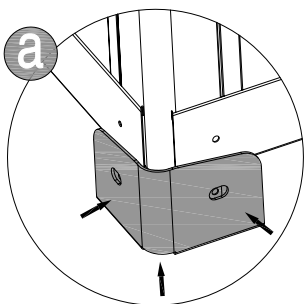
12



VA-31 [x4]



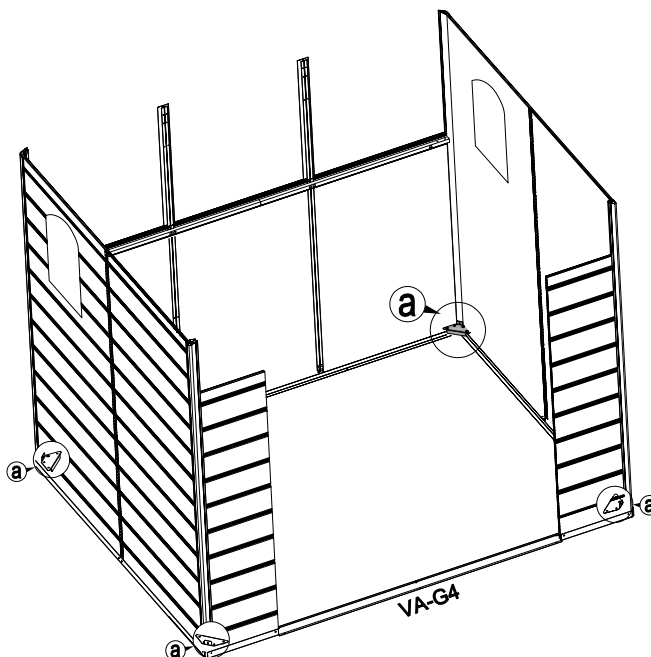
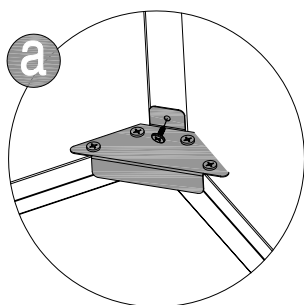
VA-G44 [x8]
13mm



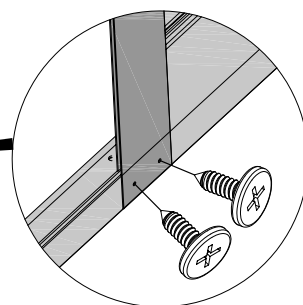
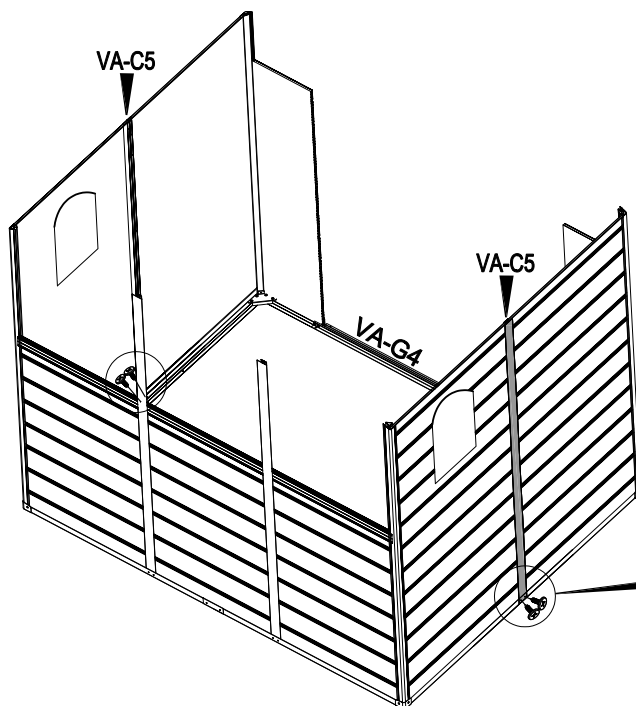
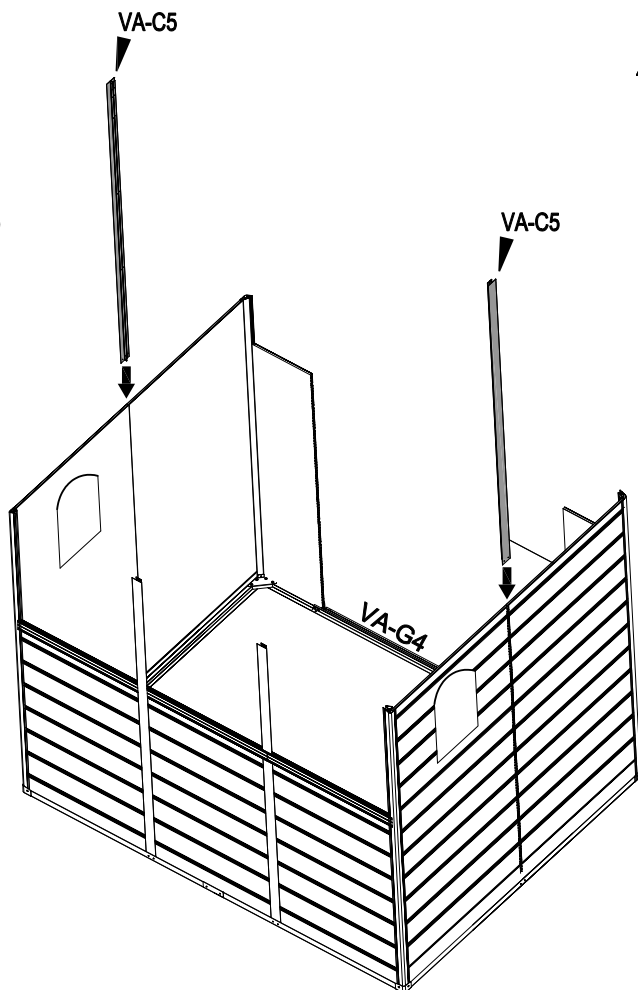
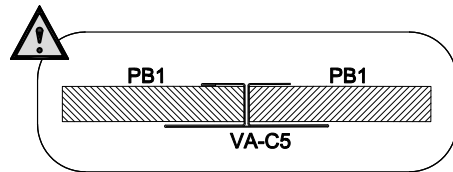
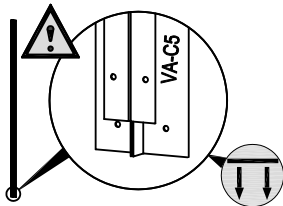
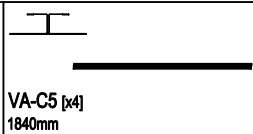
13



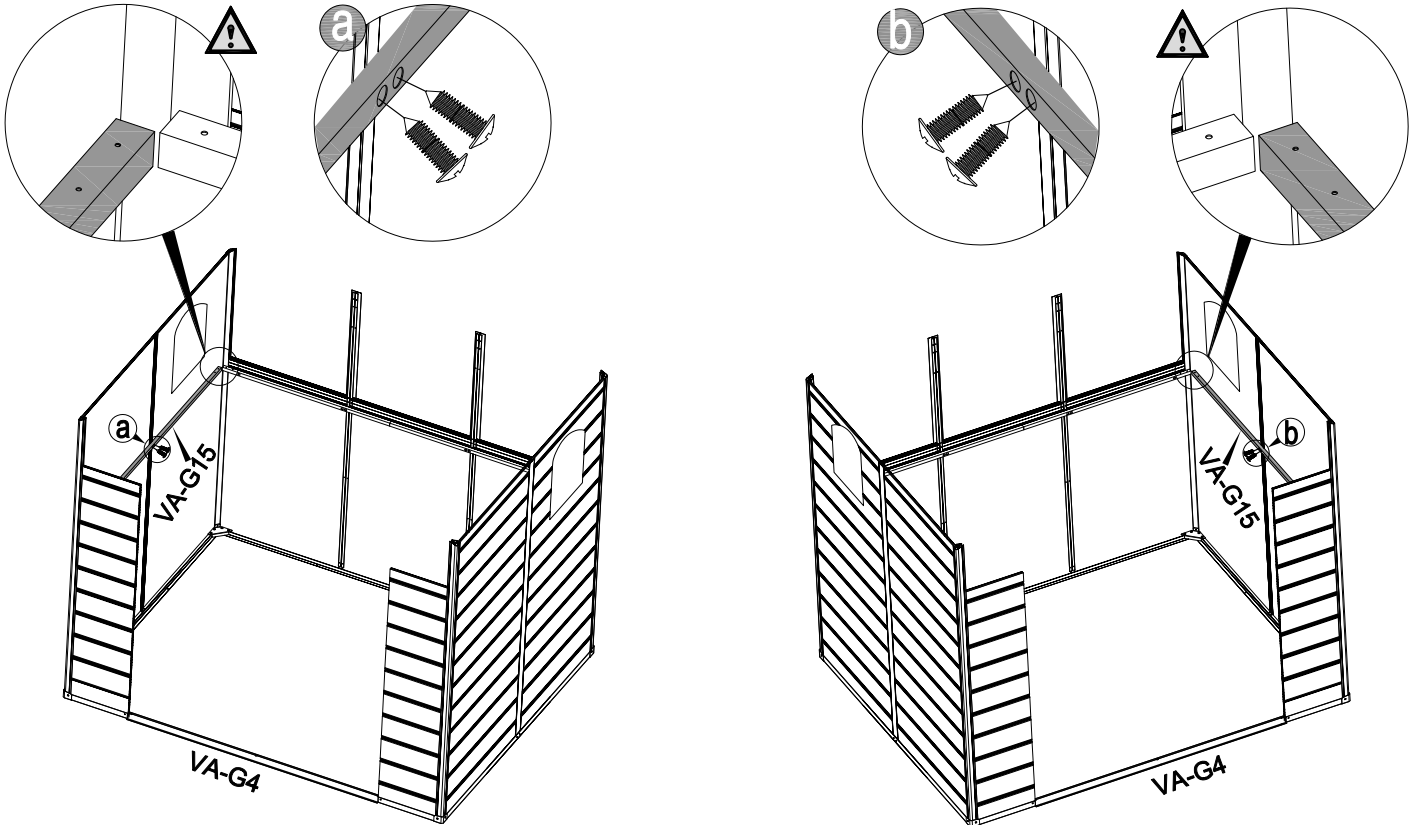
VA-G44 [x4]
13mm

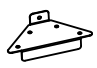



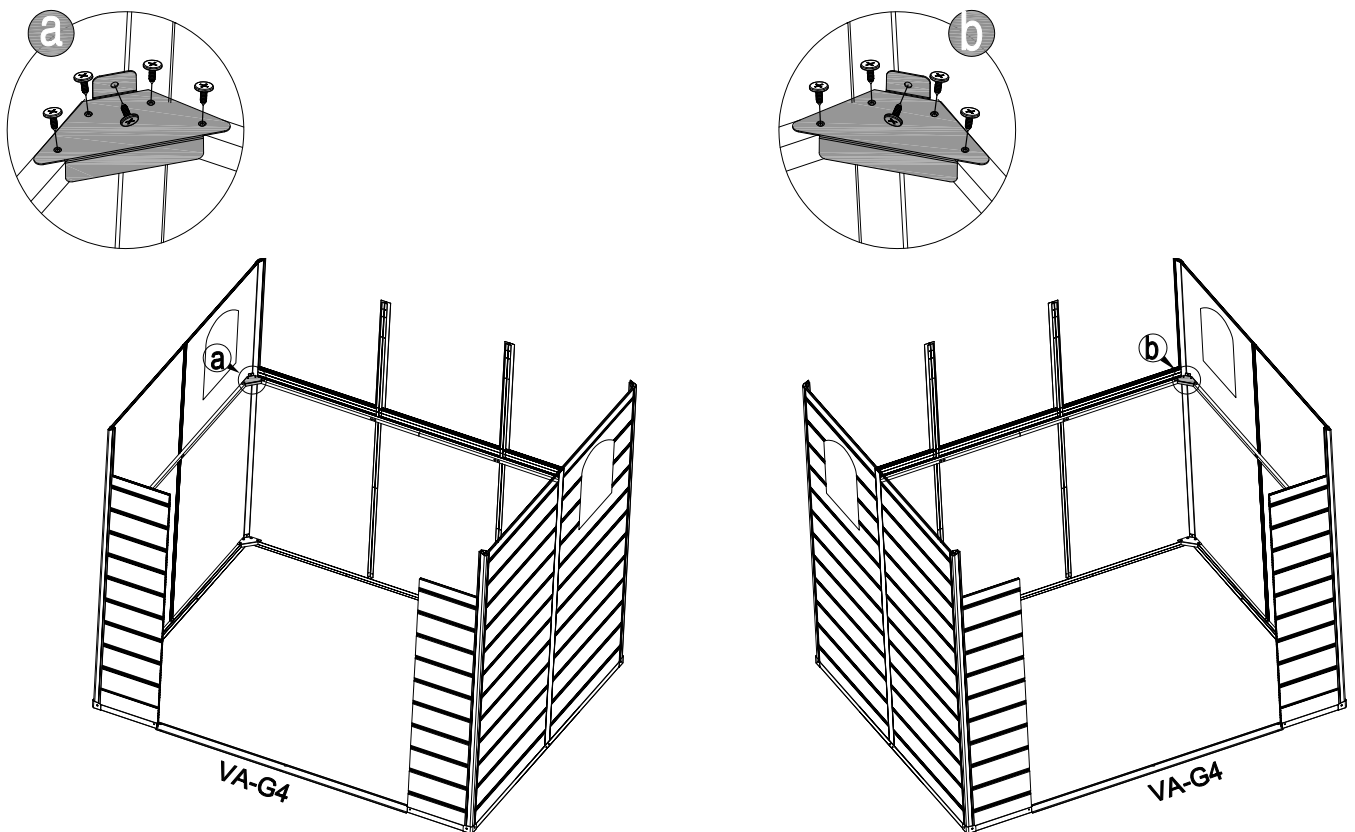
14



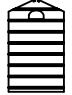





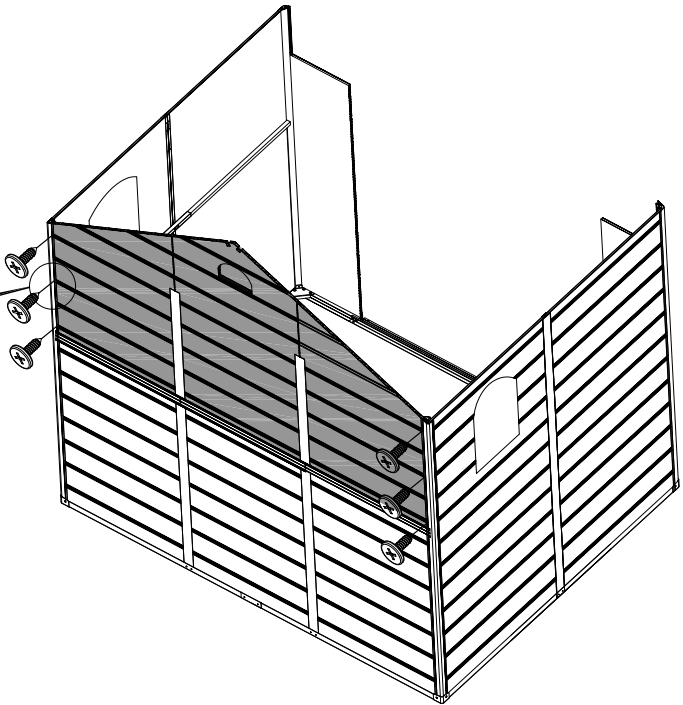
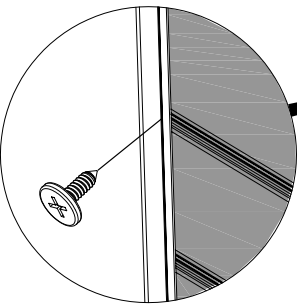
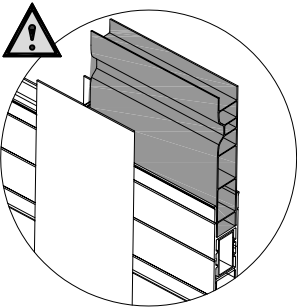
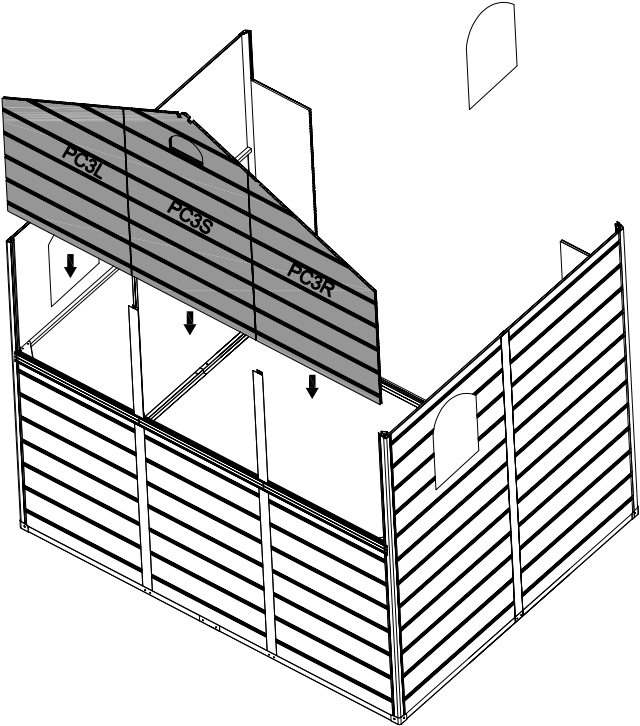
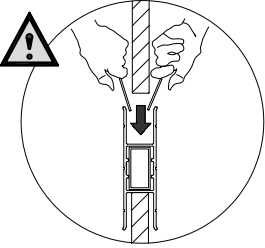
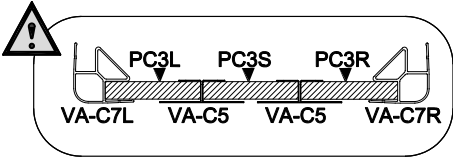
15		
	VA-G15 [x2] 1723mm	VA-G49 [x4] 13mm

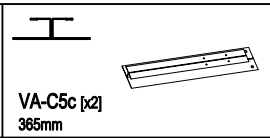
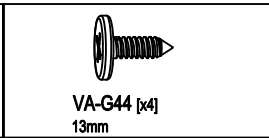



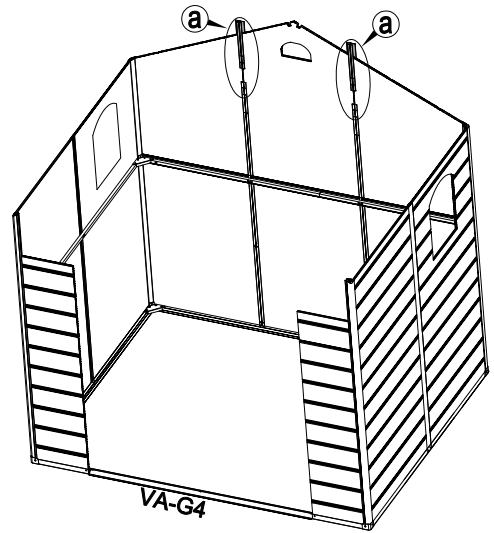
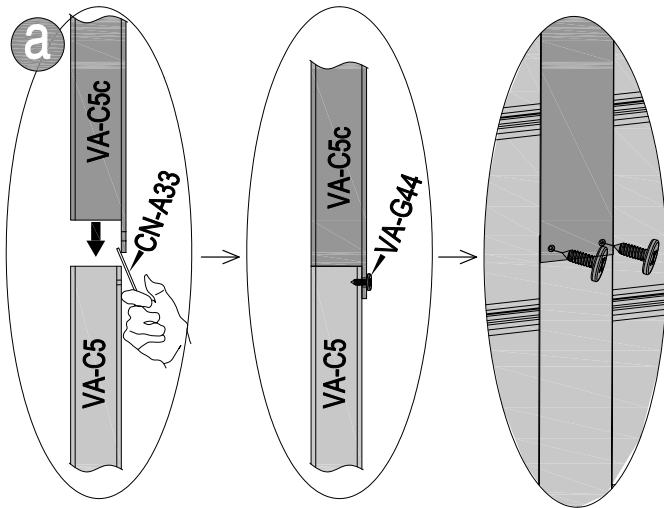
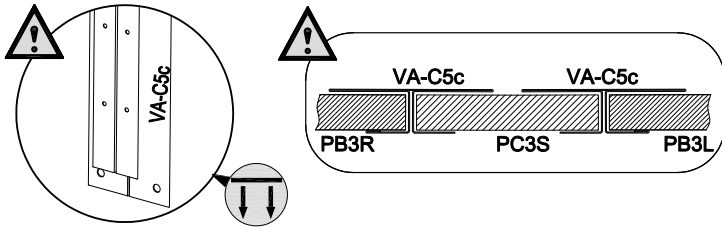
16		
	VA-30 [x2]	VA-G44 [x10] 13mm

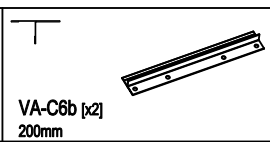



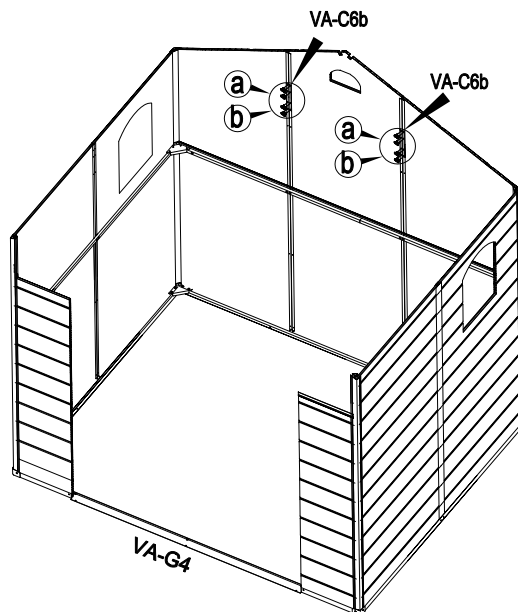
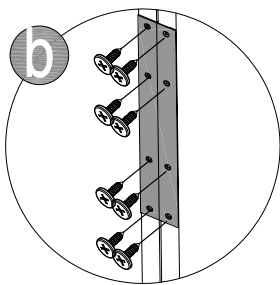
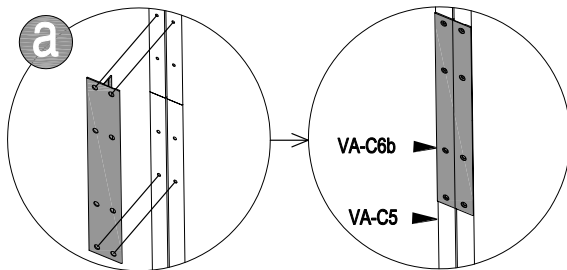
17	 <p>PC3L [x1] 743x1072mm</p>	 <p>PC3R [x1] 743x1072mm</p>	 <p>PC3S [x1] 743x1248mm</p>	 <p>VA-G45 [x6] 19mm</p>	 <p>CN-A33</p> 
----	---	---	---	---	---



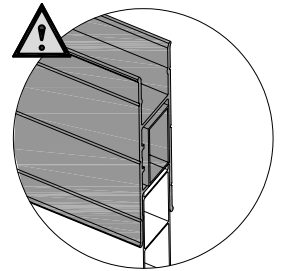
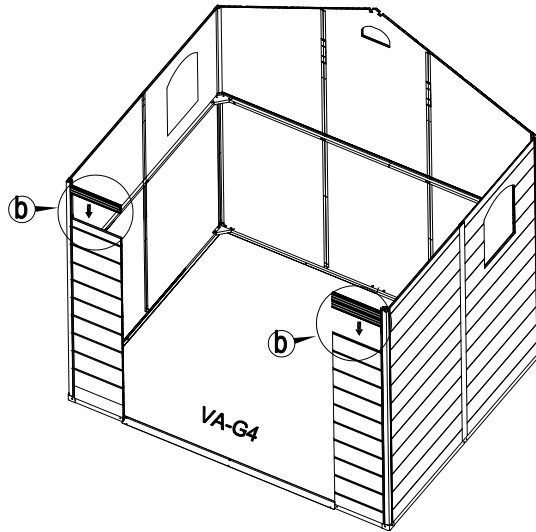
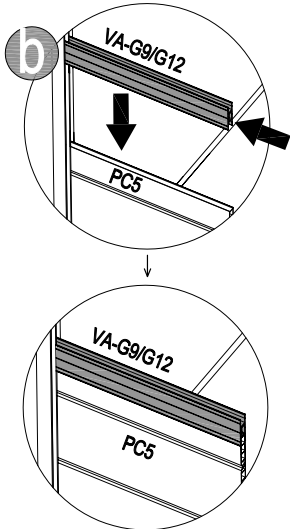
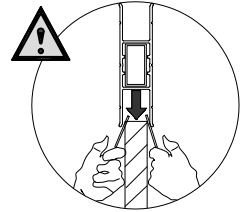
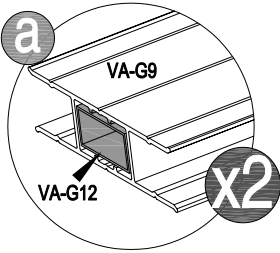
18	 VA-C5c [x2] 365mm	 VA-G44 [x4] 13mm	 CN-A33
-----------	---	--	--



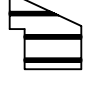





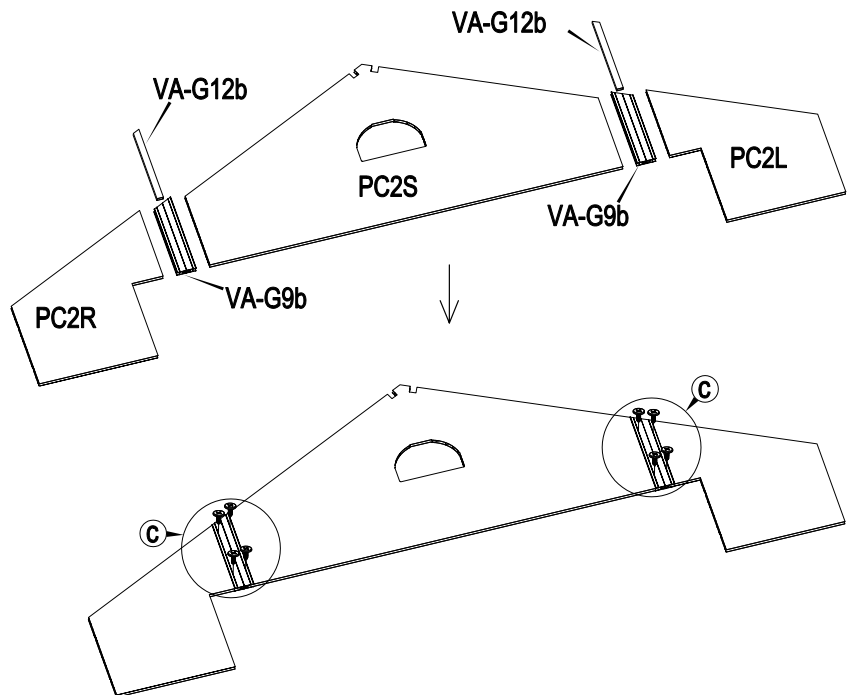
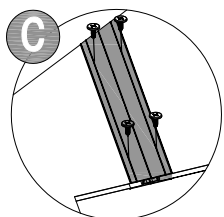
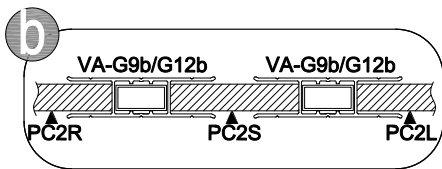
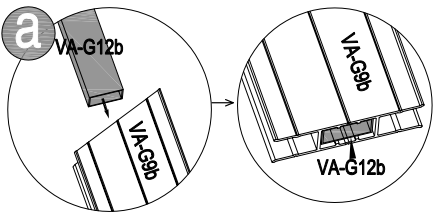
19	 VA-C6b [x2] 200mm	 VA-G44 [x16] 13mm	
-----------	---	---	--



20						
	VA-G9 [x2] 360mm	VA-G12 [x2] 360mm				



21						
	PC2S [x1] 1270x542mm	PC2L [x1] 461x492mm	PC2R [x1] 461x492mm	VA-G9b [x2] 254mm	VA-G12b [x2] 225mm	VA-G44 [x8] 13mm



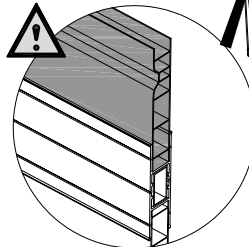
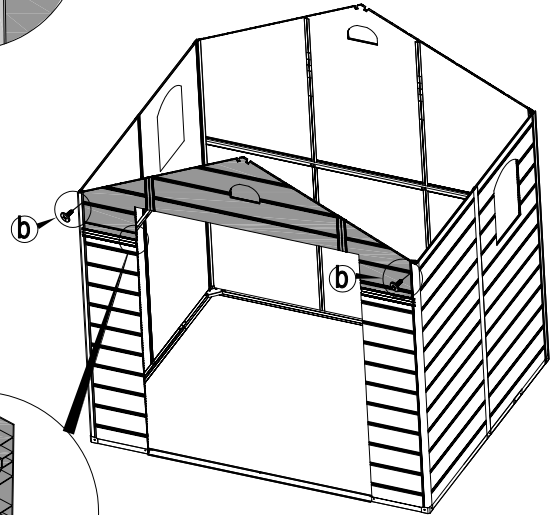
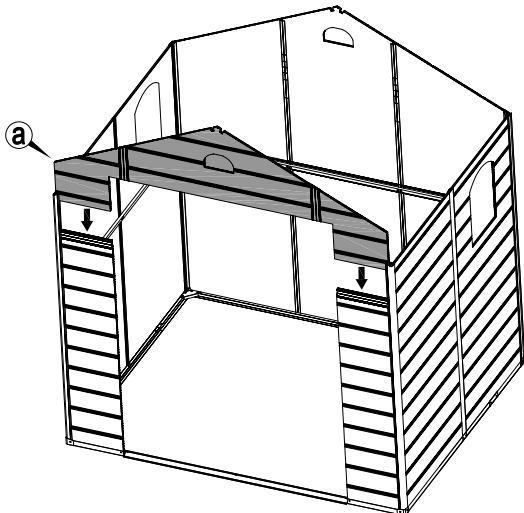
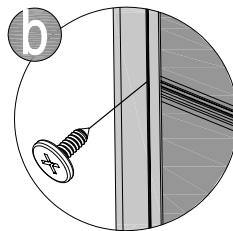
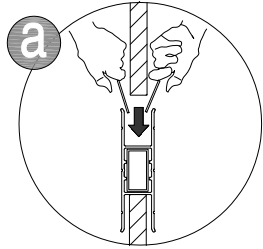
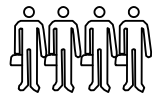
22



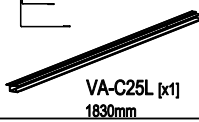
VA-G45 [x2]
13mm



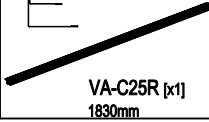
CN-A33



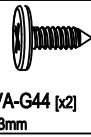
23



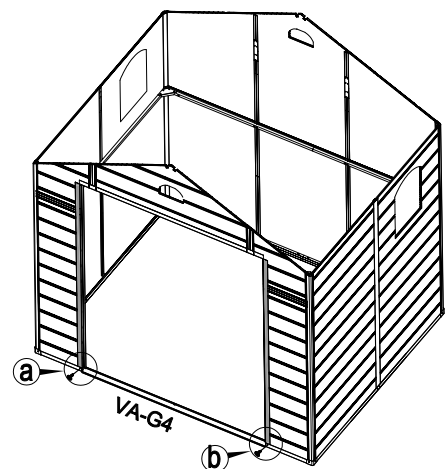
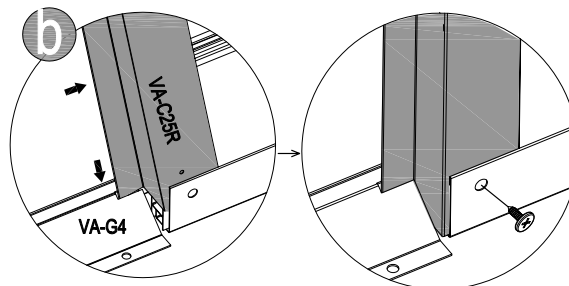
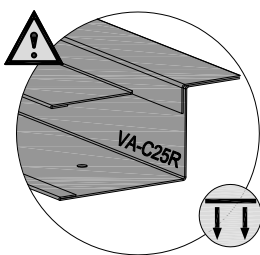
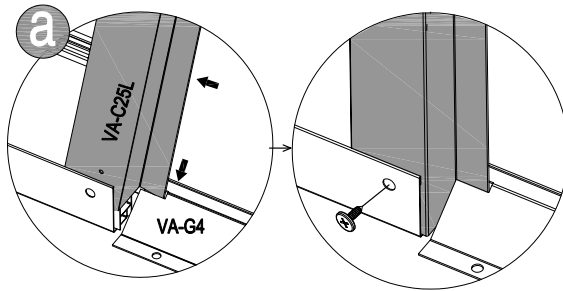
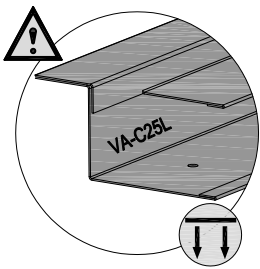
VA-C25L [x1]
1830mm



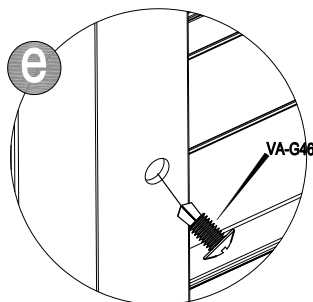
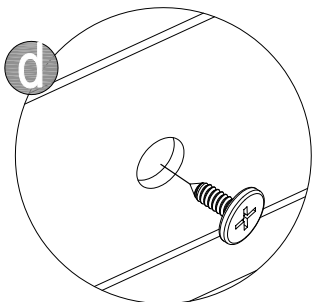
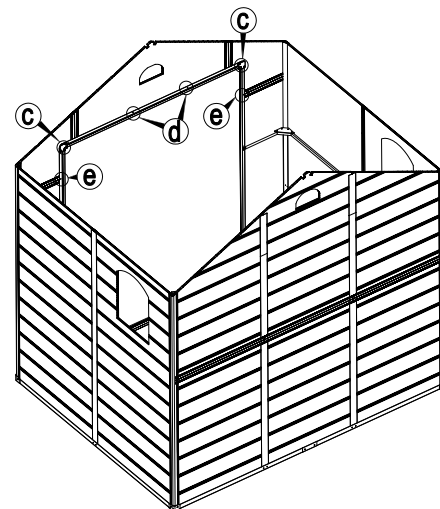
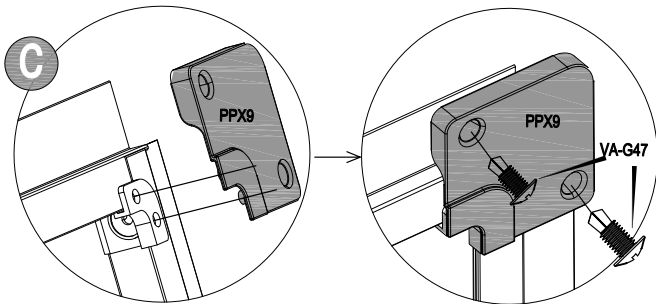
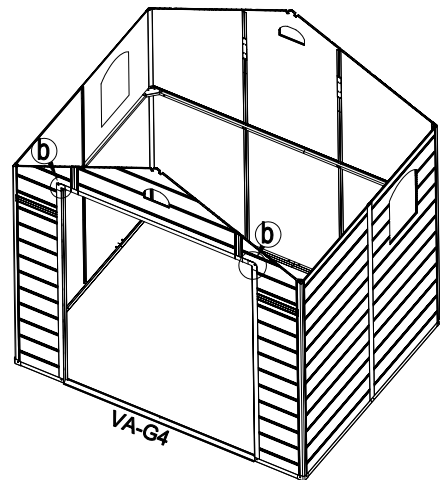
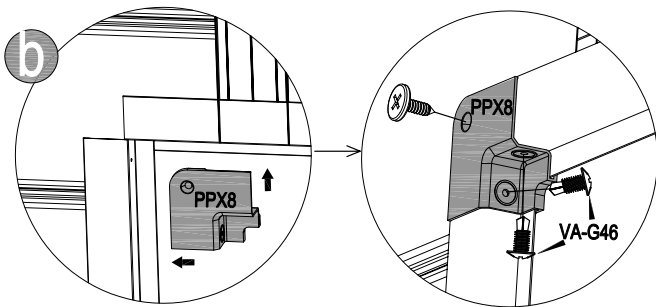
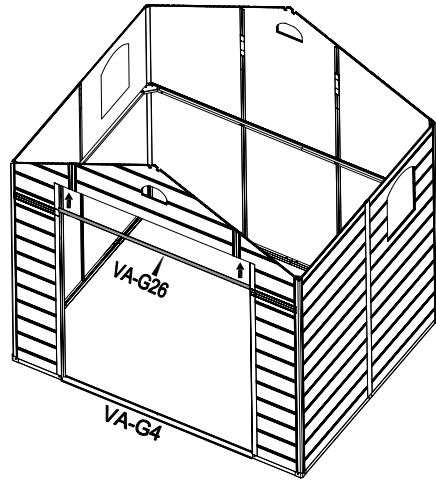
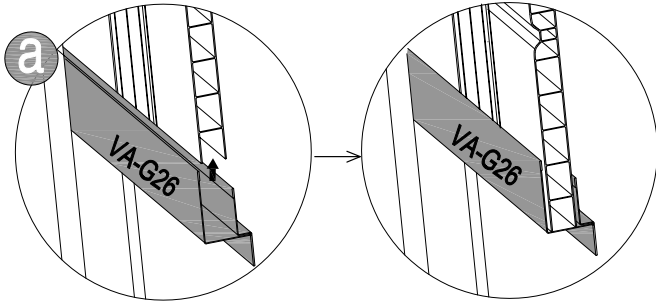
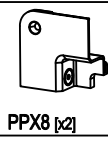
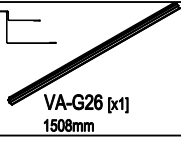
VA-C25R [x1]
1830mm

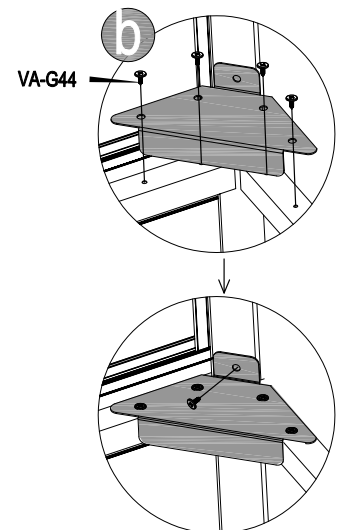
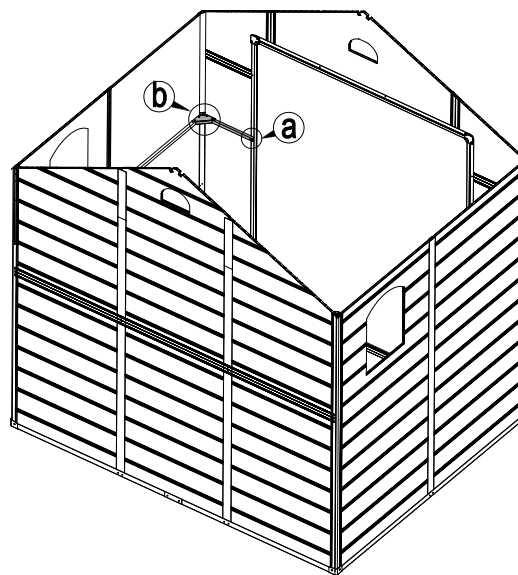
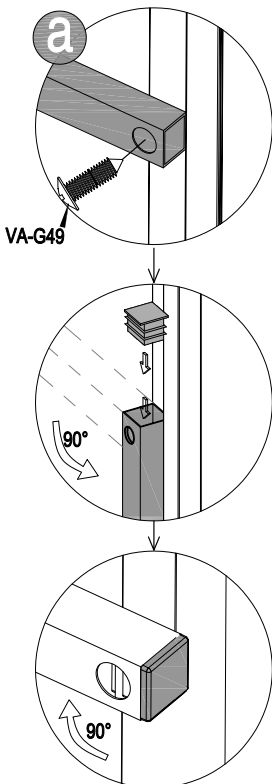
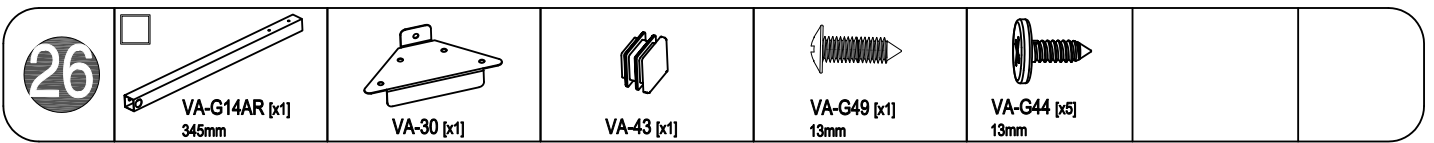
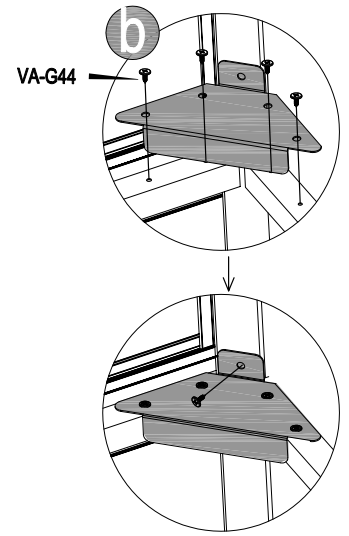
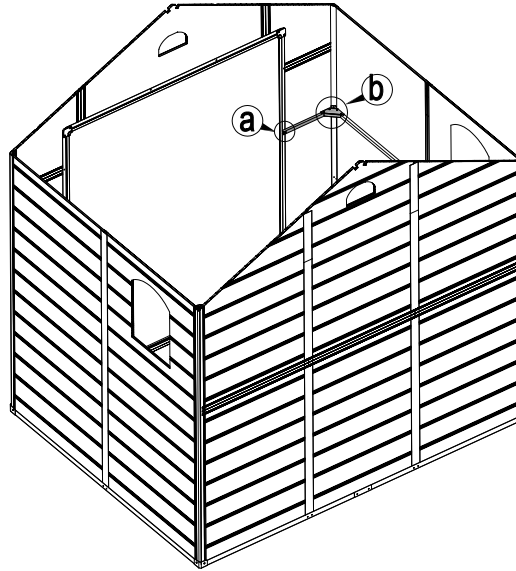
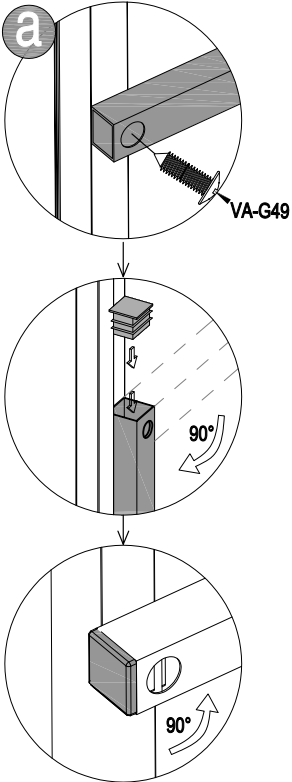
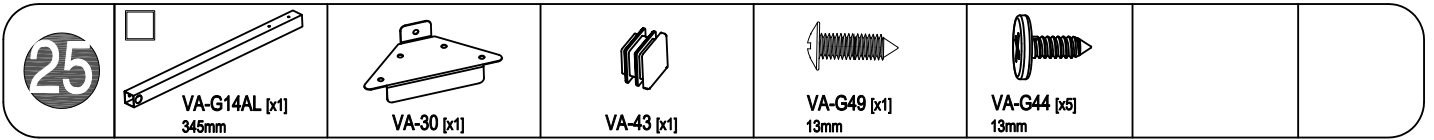


VA-G44 [x2]
13mm



24

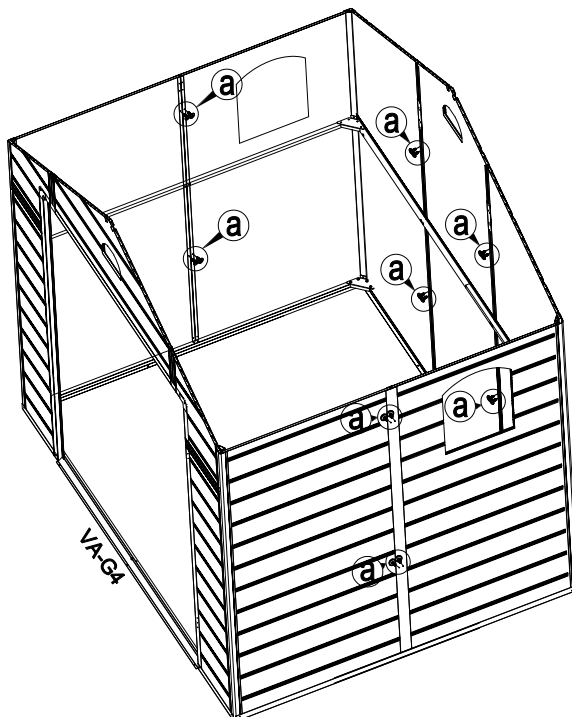
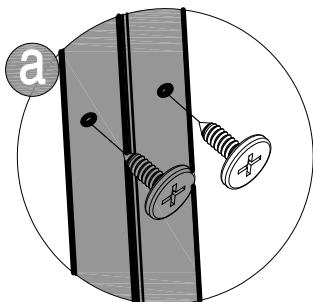




27



VA-G44 [x16]
13mm



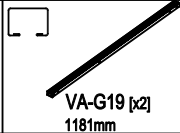
28



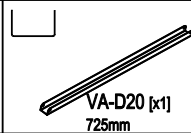
VA-34 [x1]



VA-33 [x2]



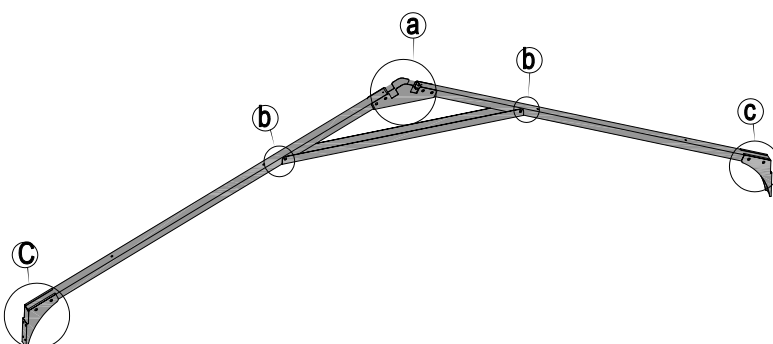
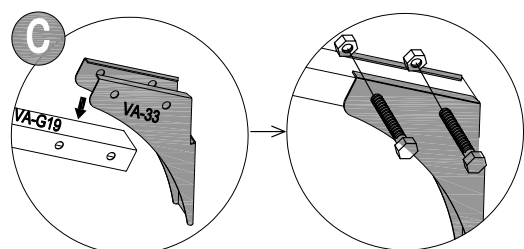
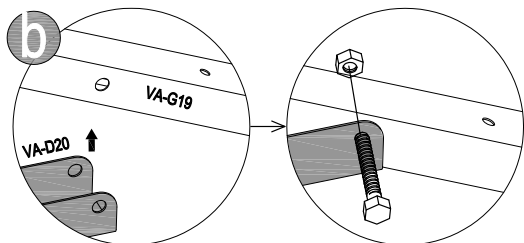
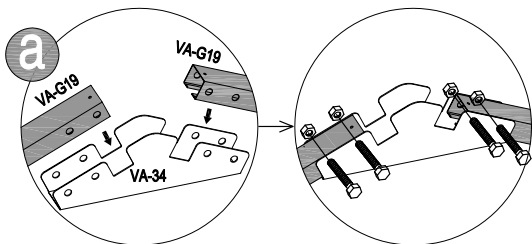
VA-G19 [x2]
1181mm



VA-D20 [x1]
725mm



VA-G50 [x10]
40mm



29



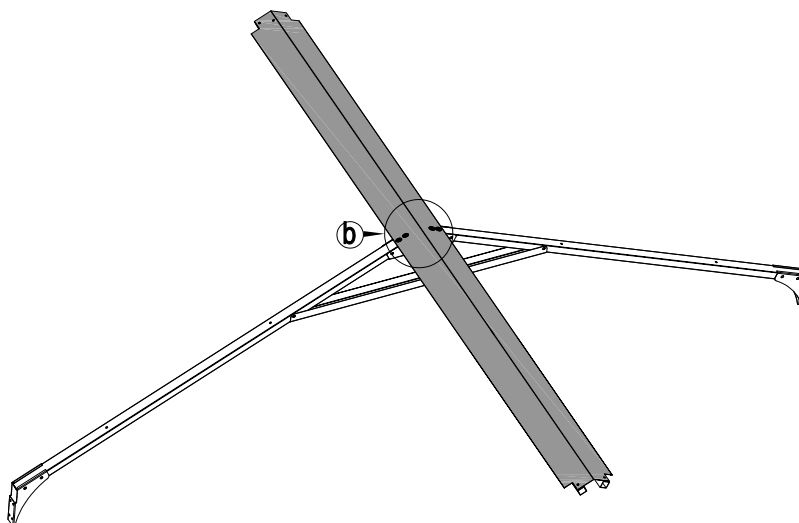
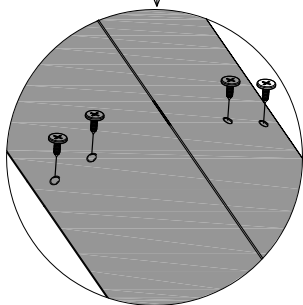
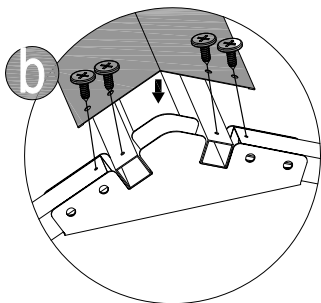
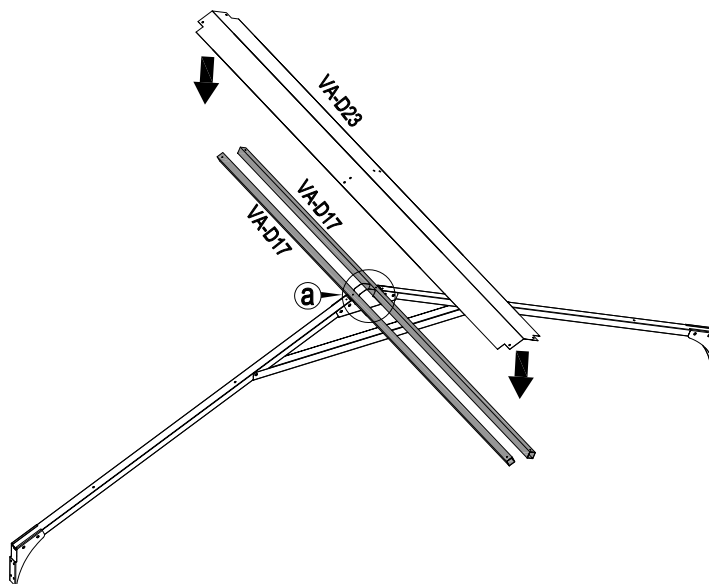
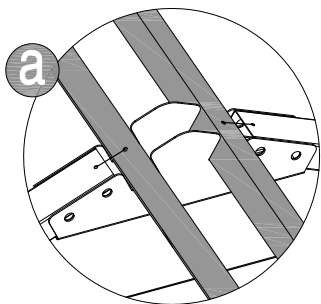
VA-D23 [x1]
1797mm



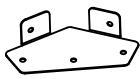
VA-D17 [x2]
1797mm



VA-G44 [x4]
13mm



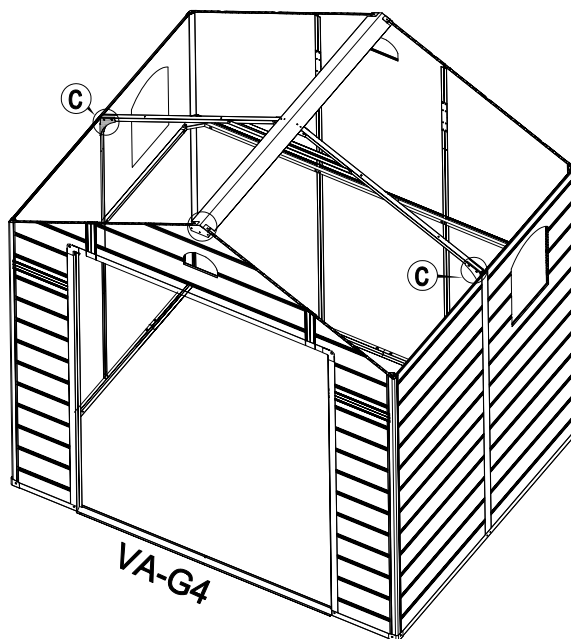
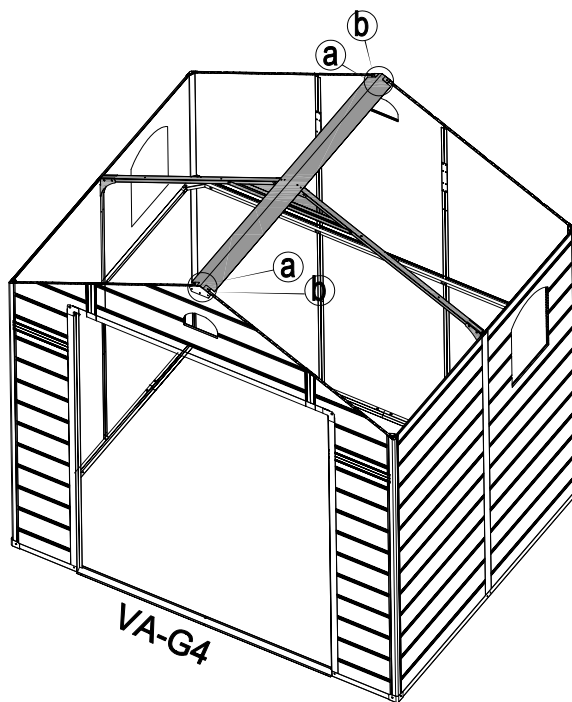
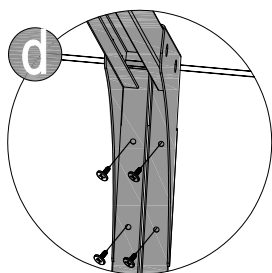
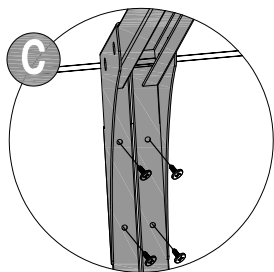
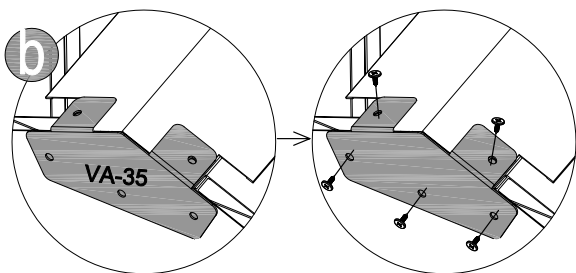
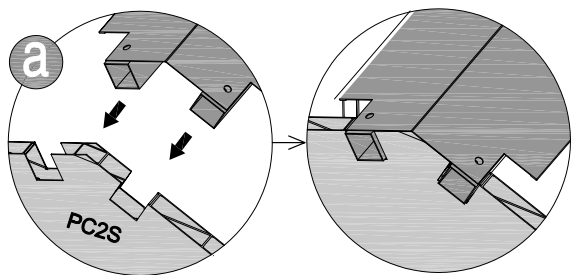
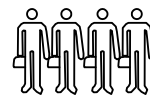
30





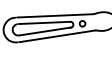


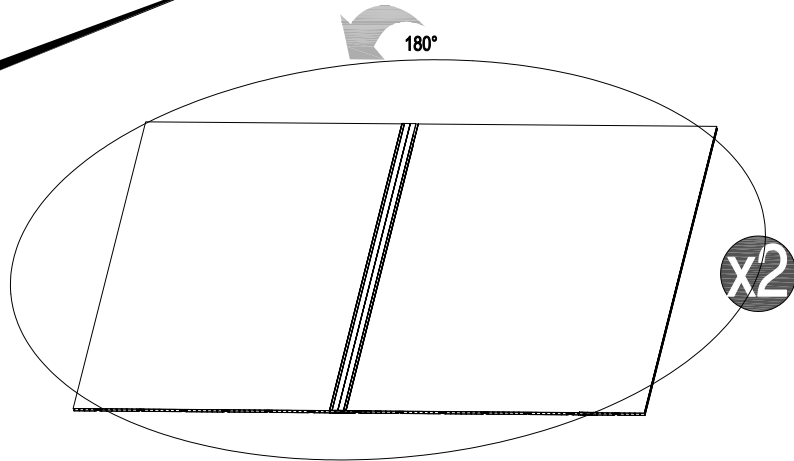
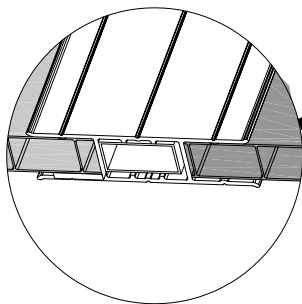
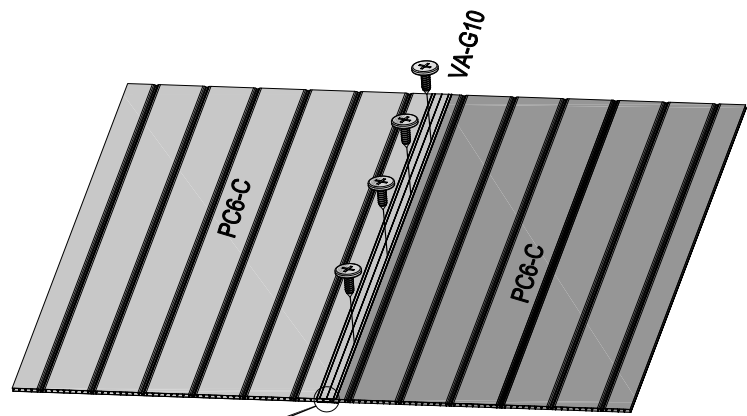
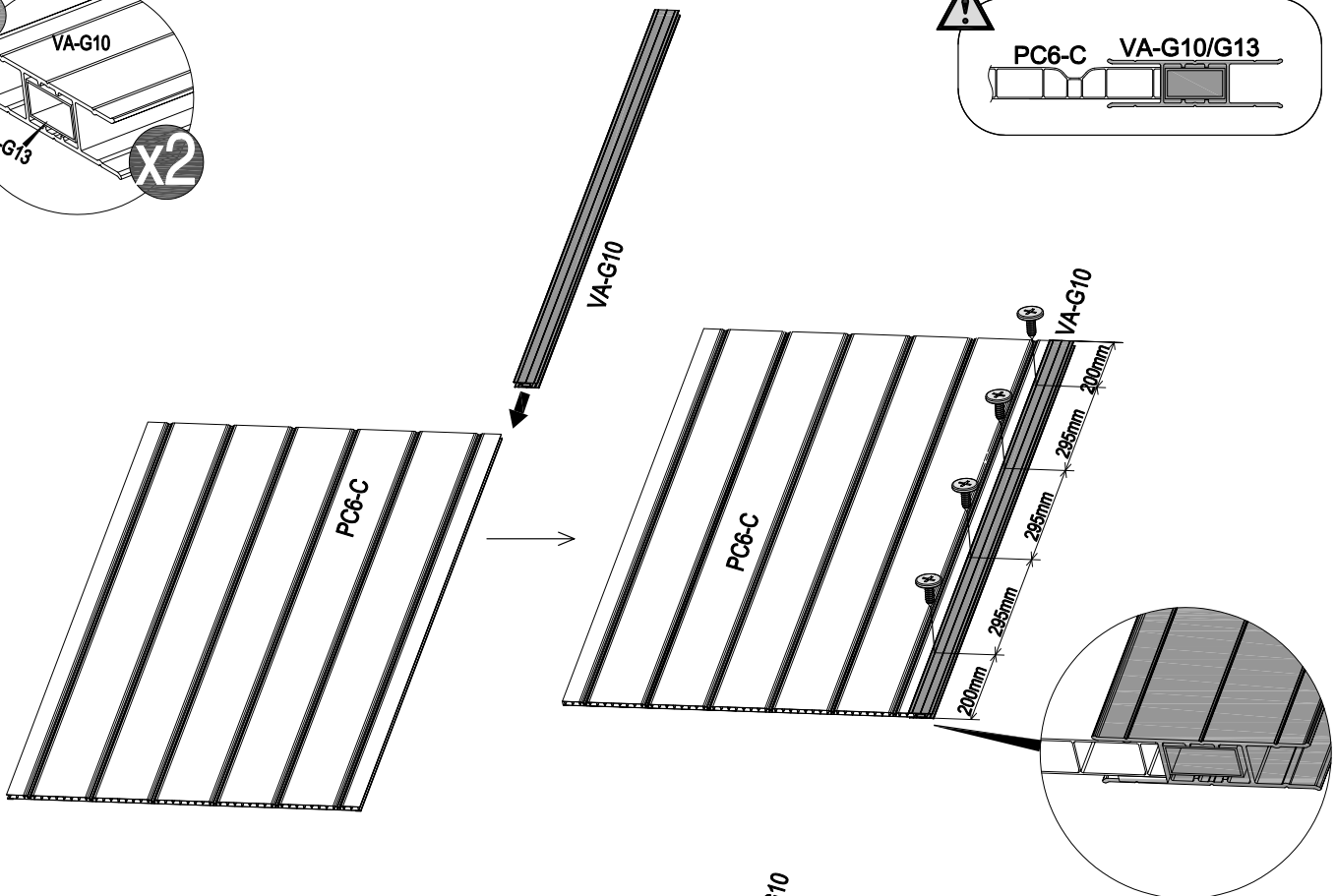
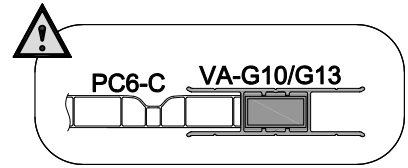
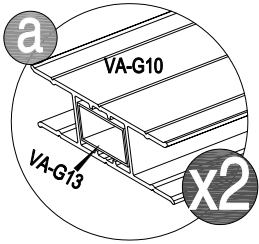
VA-35 [x2]



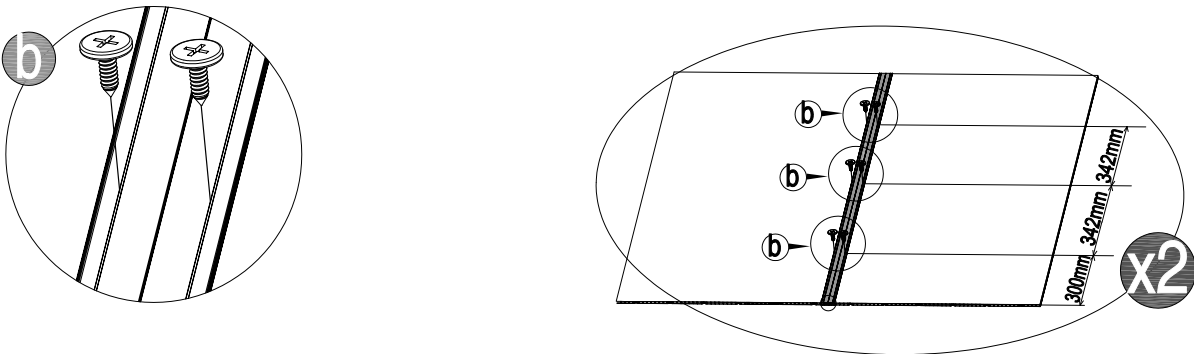
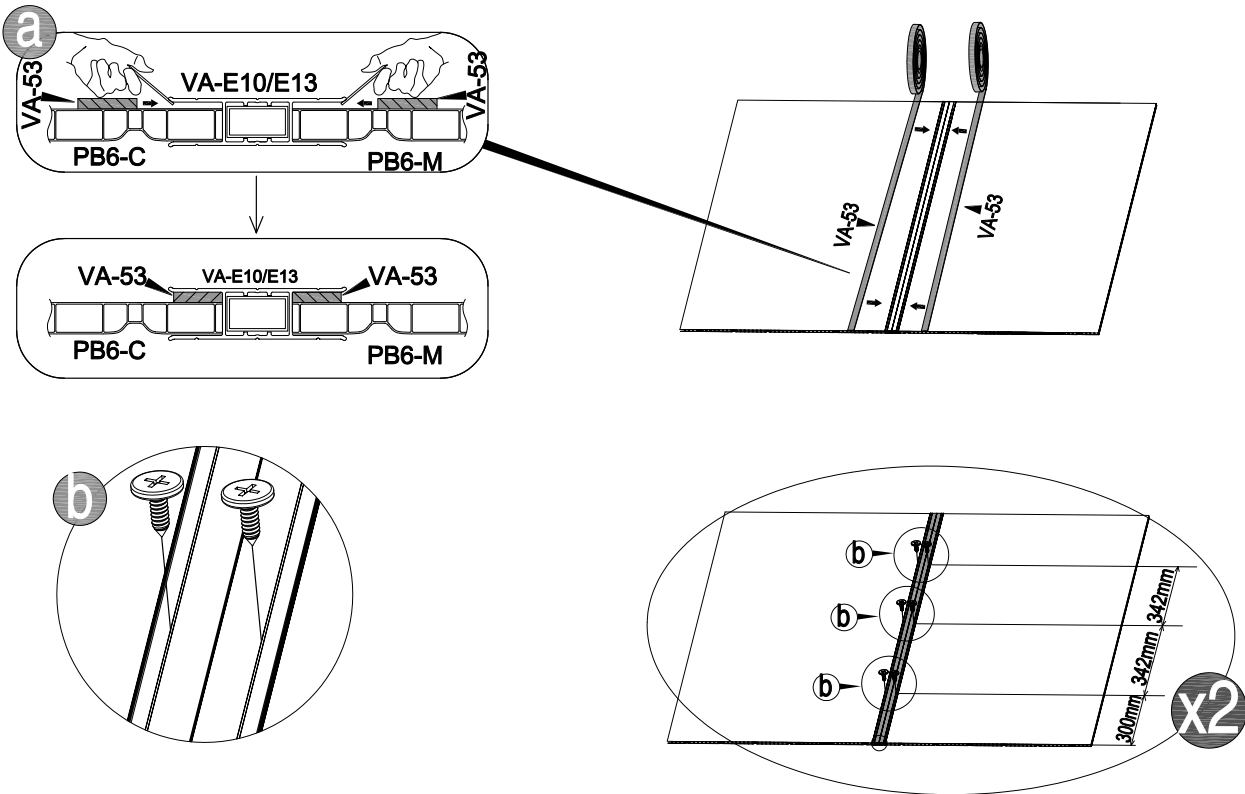
VA-G44 [x18]
13mm





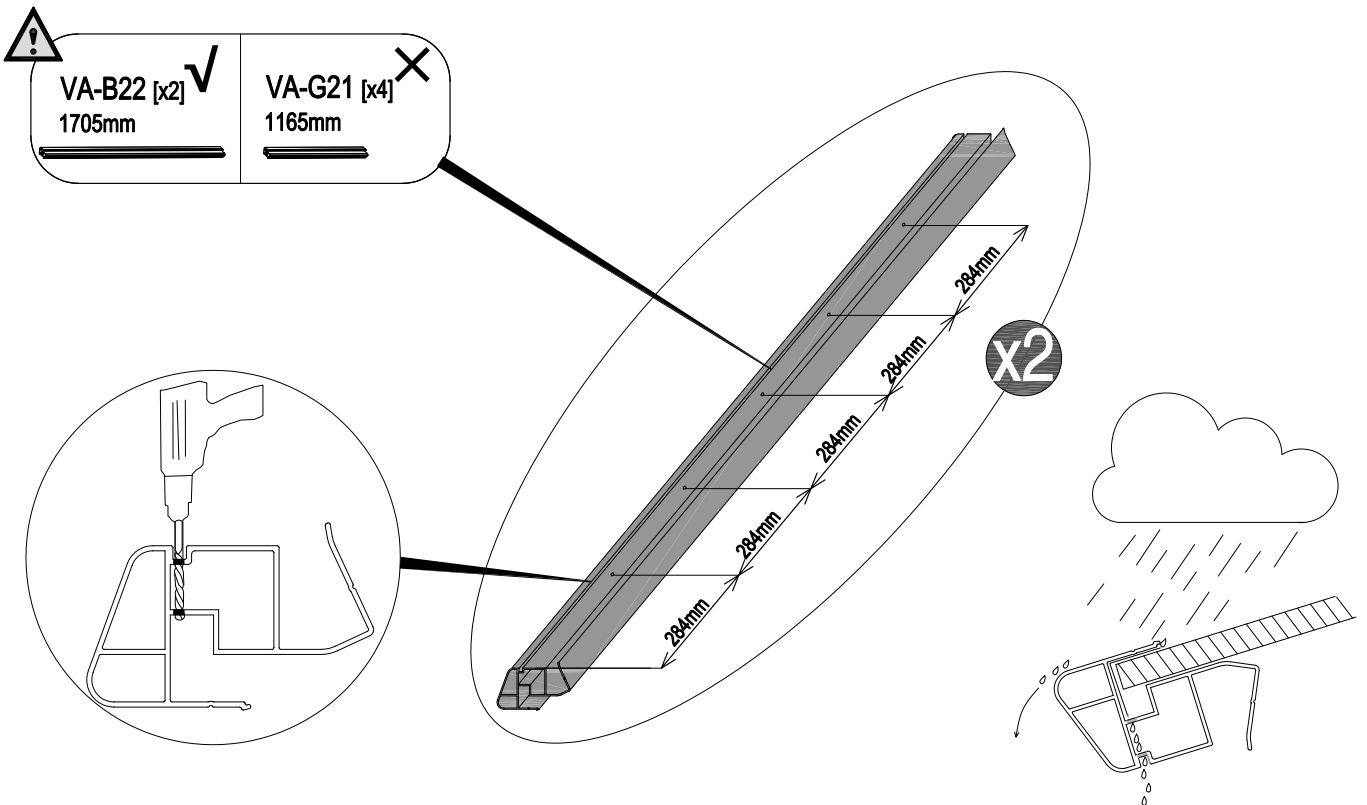
31	 PC6-C [x4] 1285x920mm	 VA-G10 [x2] 1285mm	 VA-G13 [x2] 1285mm	 VA-G44 [x16] 13mm	 CN-A33
----	---	--	--	---	---




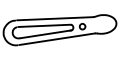


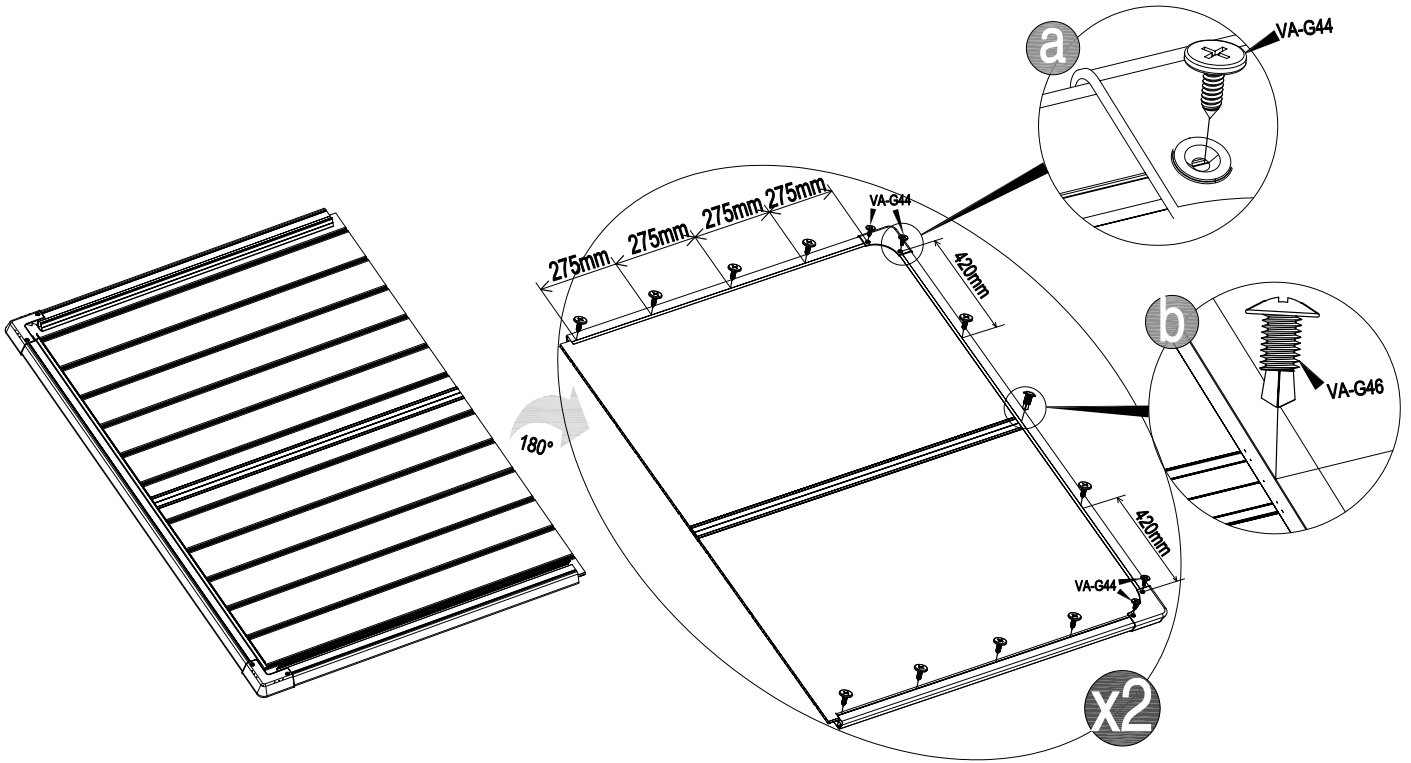
32	 VA-53 [x1]	 VA-G44 [x12] 12mm		 CN-A33
----	---	---	--	---


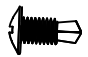
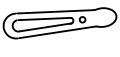


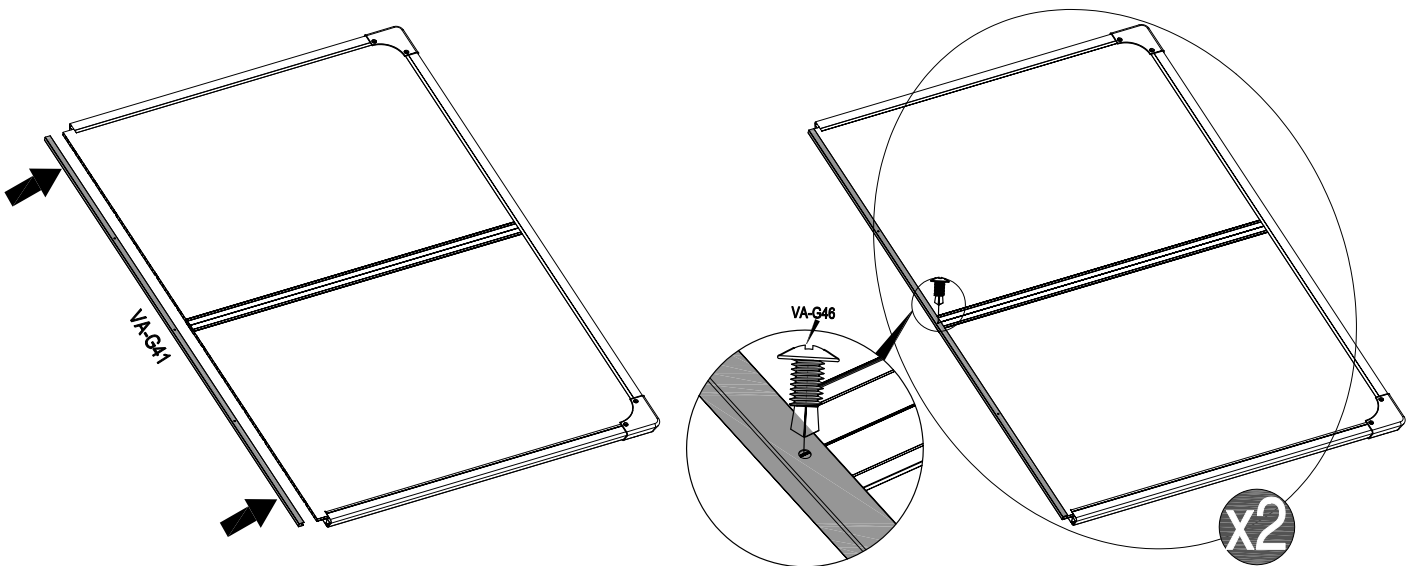
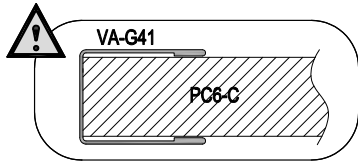
33	 VA-B22 [x2] 1705mm	 Ø8mm		
----	--	---	--	--

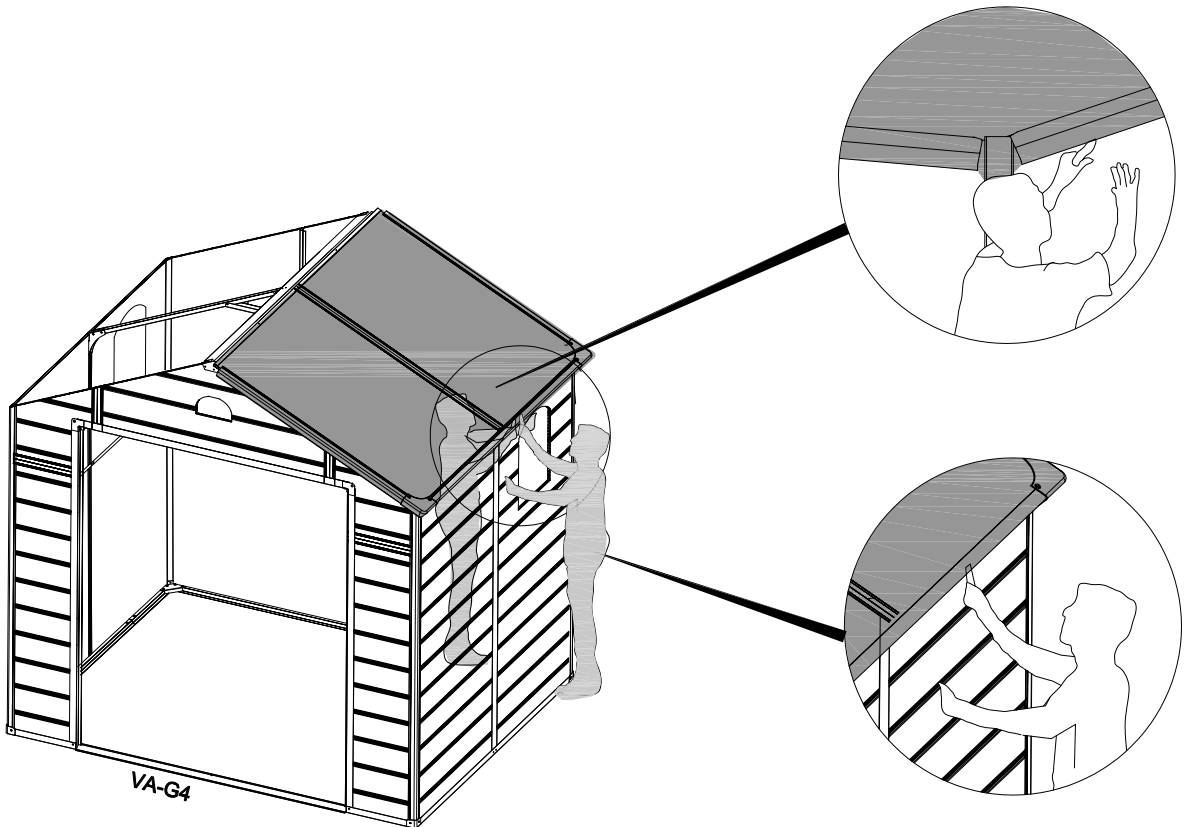
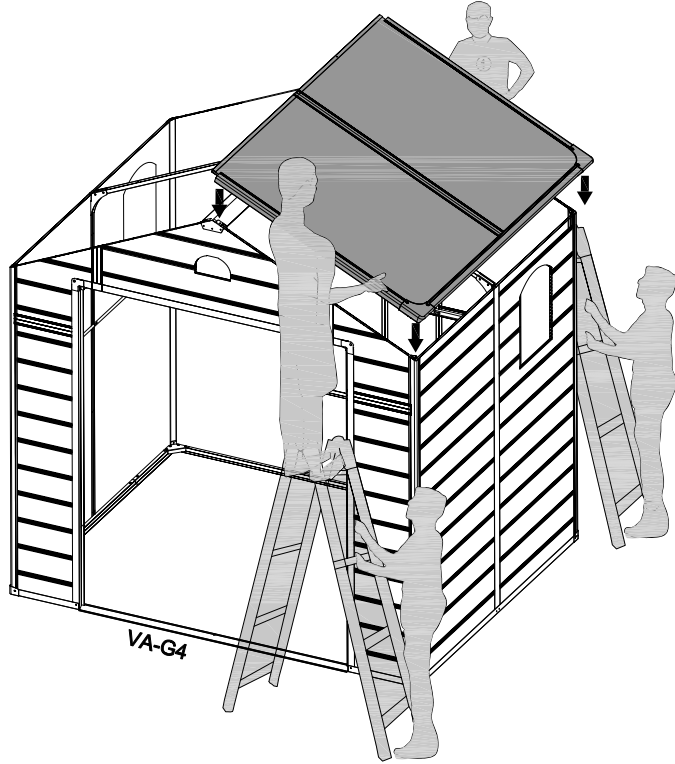
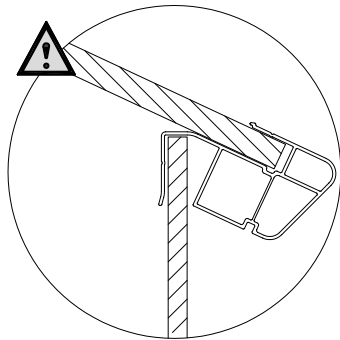
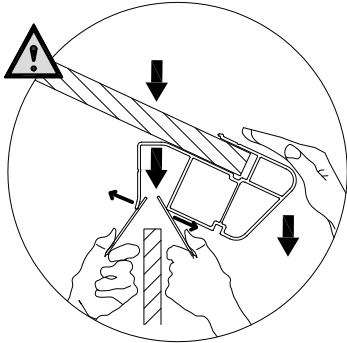
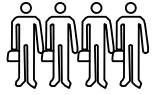


36	 VA-G44 [x8] 13mm	 VA-G45 [x20] 19mm	 VA-G46 [x2] 13mm	 CN-A33
----	--	---	--	---



37	 VA-G41 [x2] 1864mm	 VA-G46 [x2] 13mm		 CN-A33
----	--	--	--	---

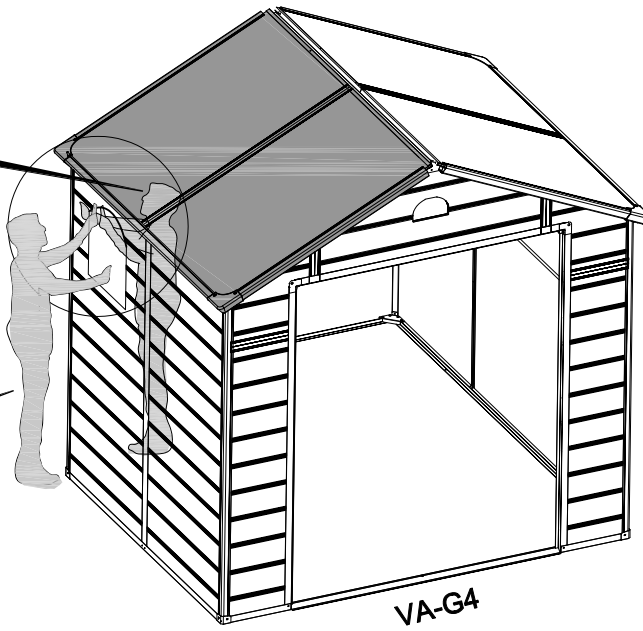
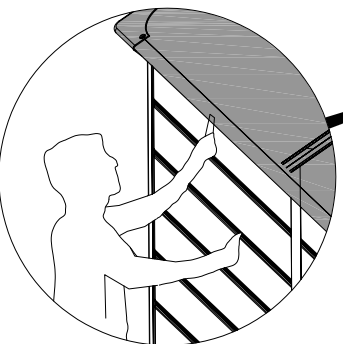
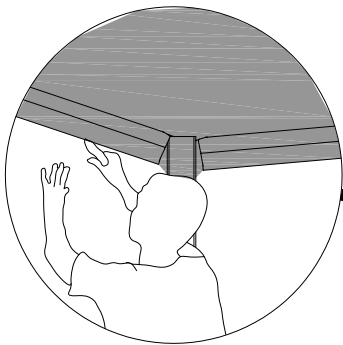
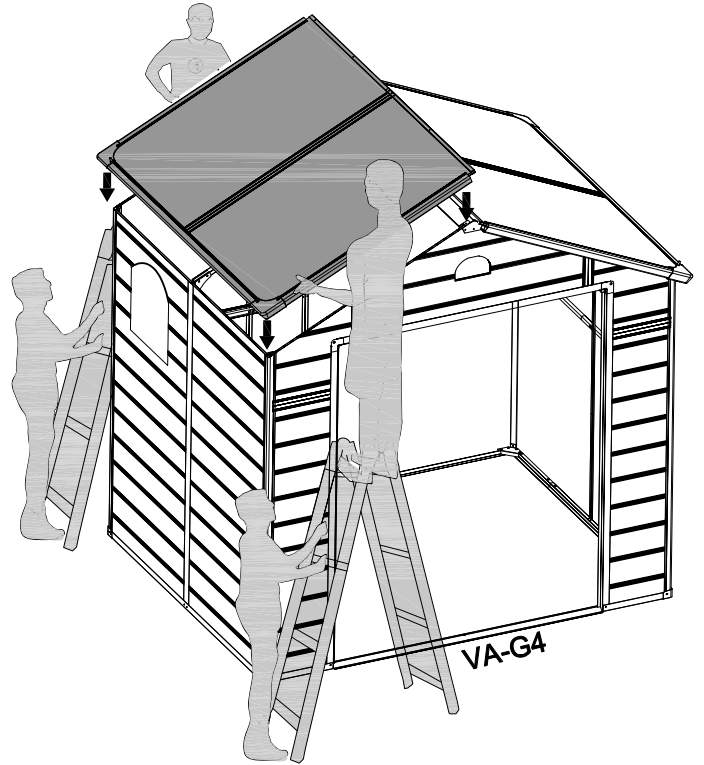
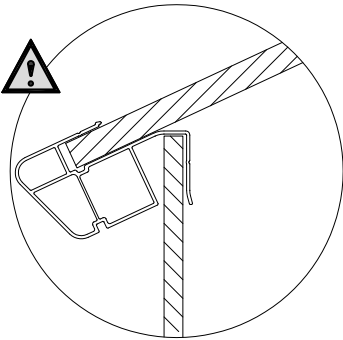
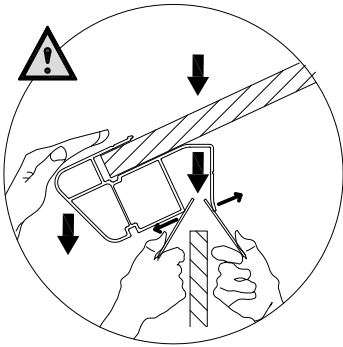
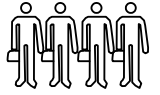




39



CN-A33



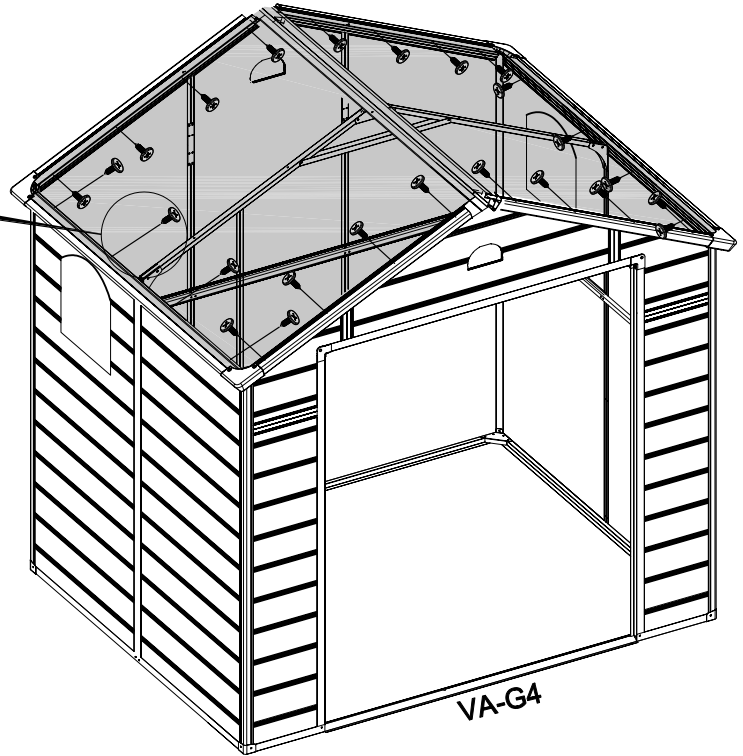
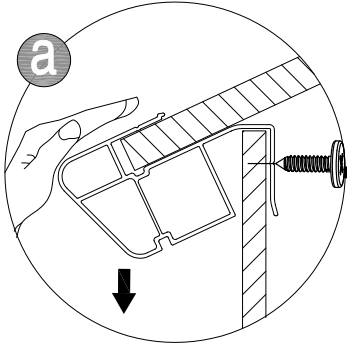
40



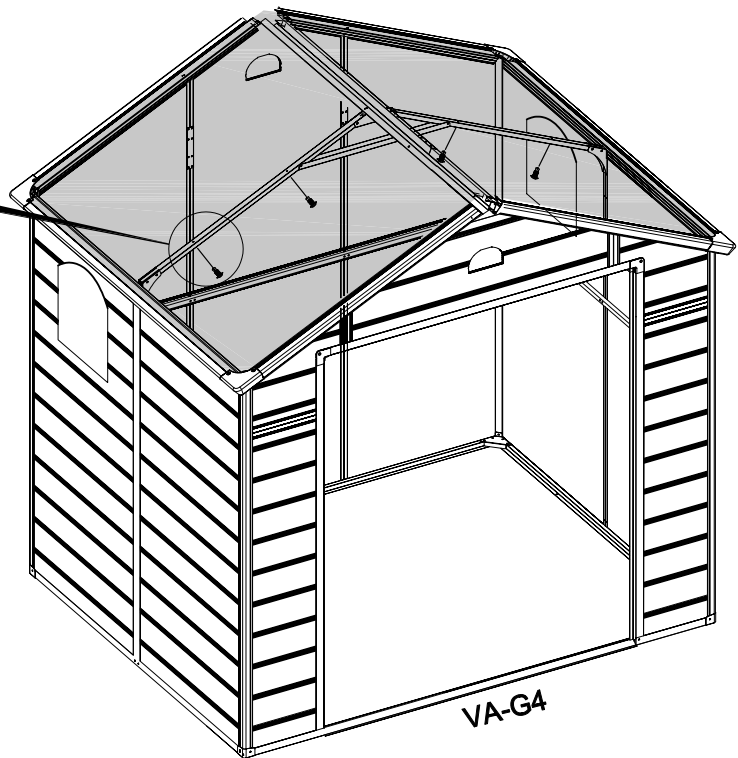
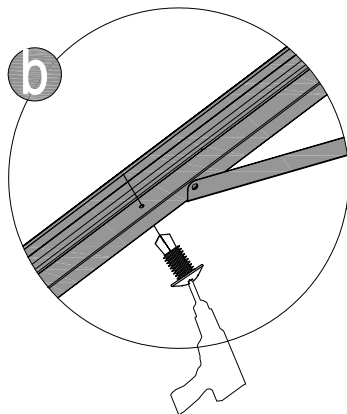
VA-G45 [x24]
19mm



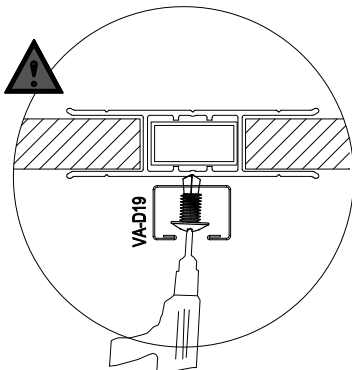
VA-G46 [x4]
13mm



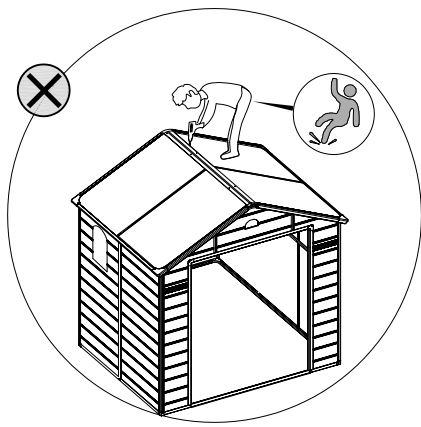
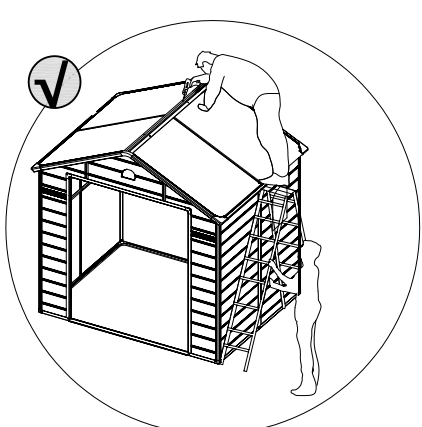
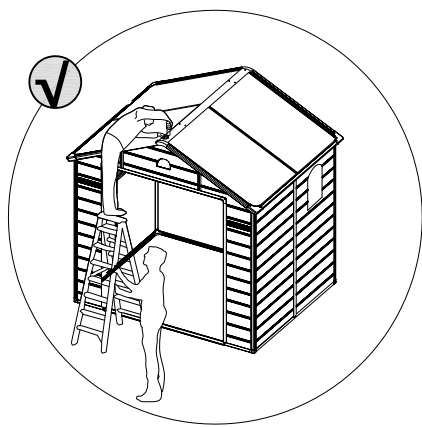
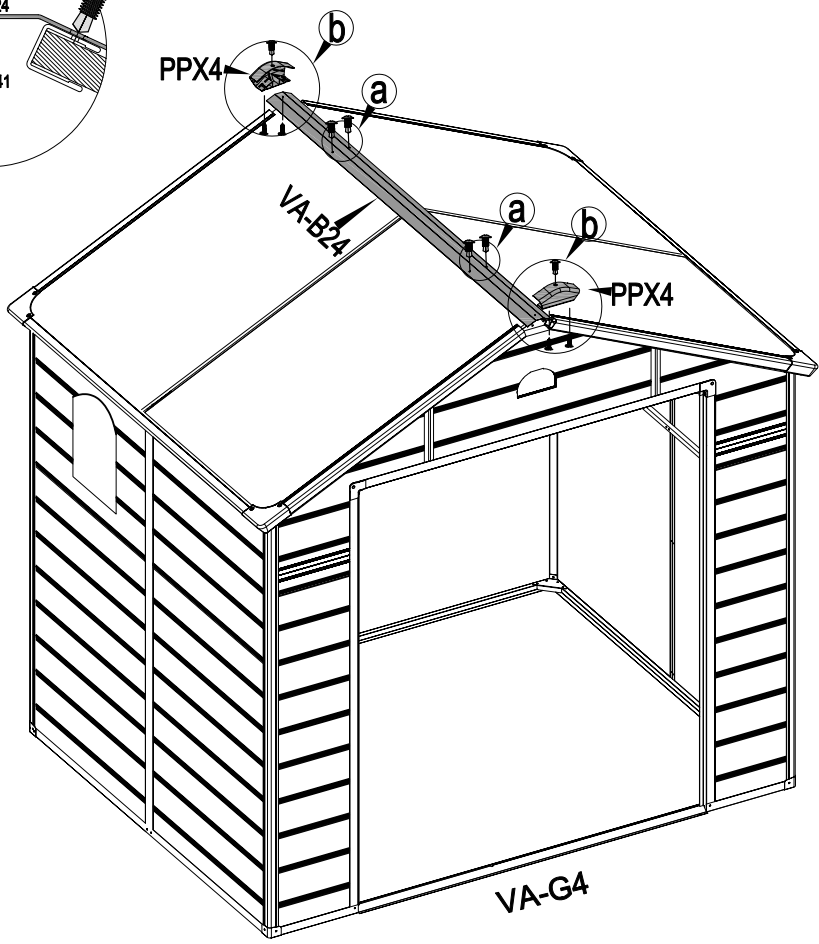
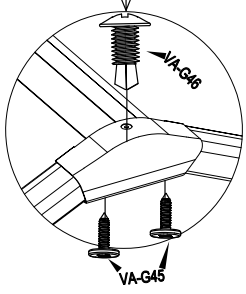
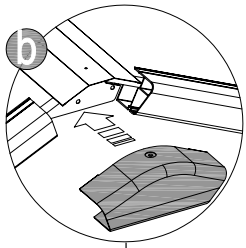
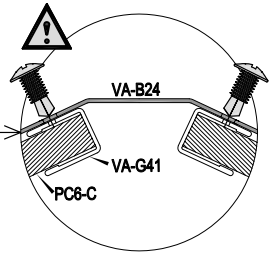
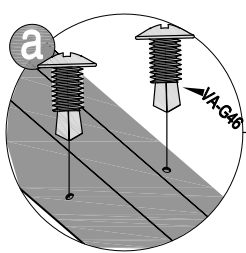
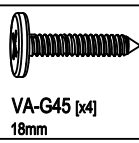
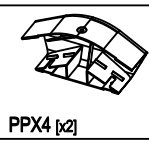
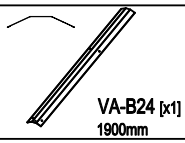
VA-G4



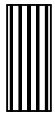
VA-G4



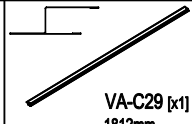
41



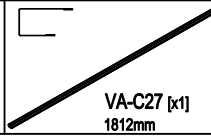
42



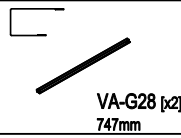
PC7S [x1]
1810x746mm



VA-C29 [x1]
1812mm



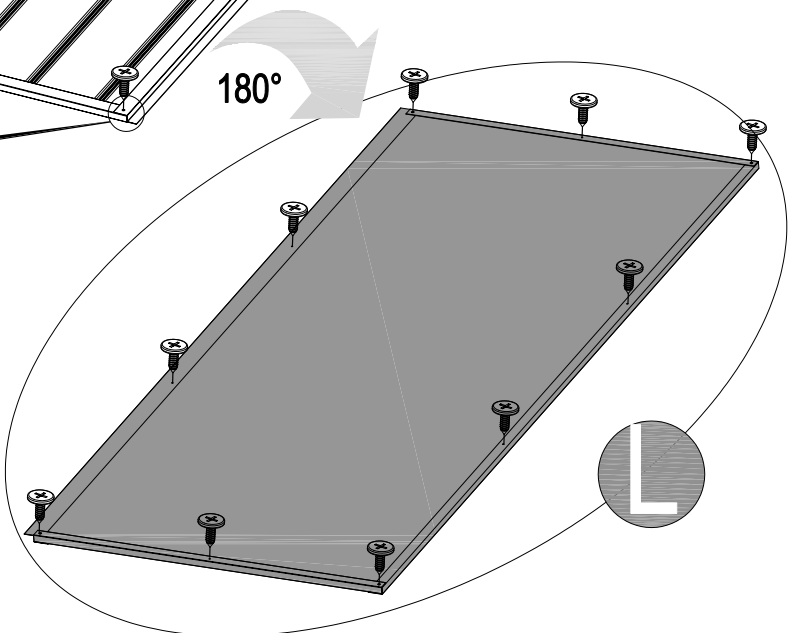
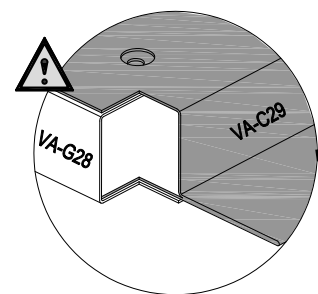
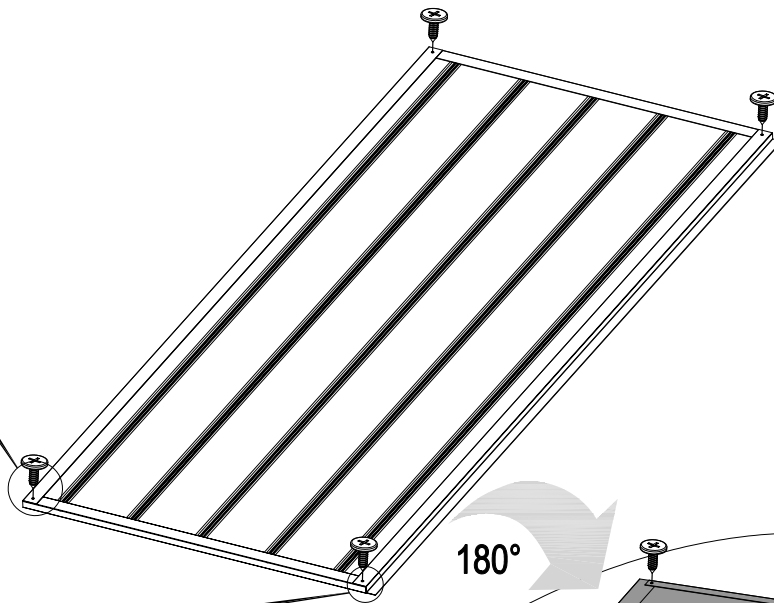
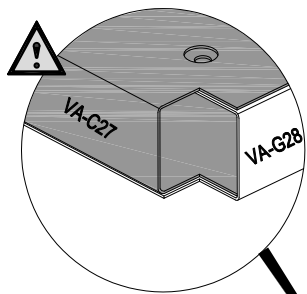
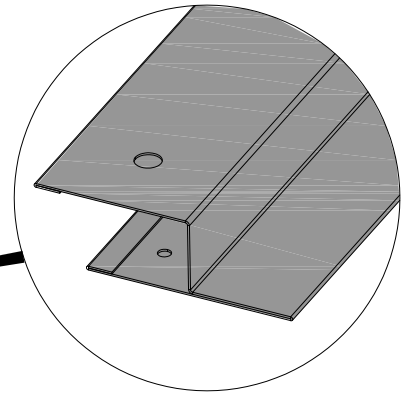
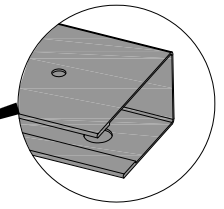
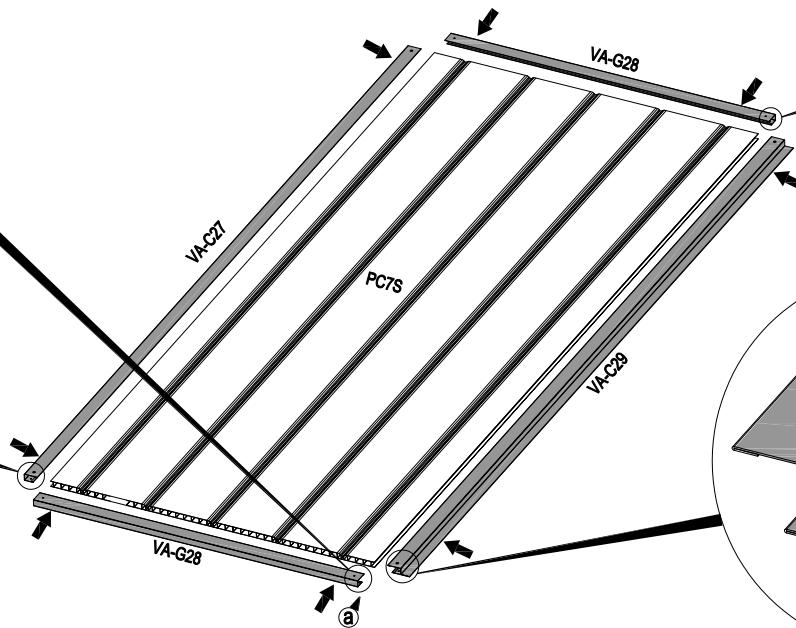
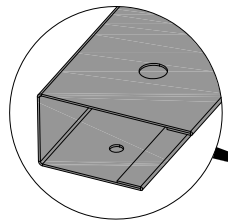
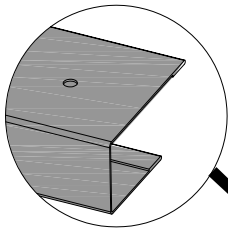
VA-C27 [x1]
1812mm



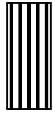
VA-G28 [x2]
747mm



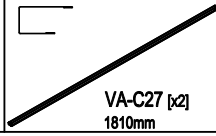
VA-G44 [x14]
13mm



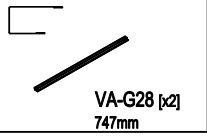
43



PC7S [x1]
1810x746mm



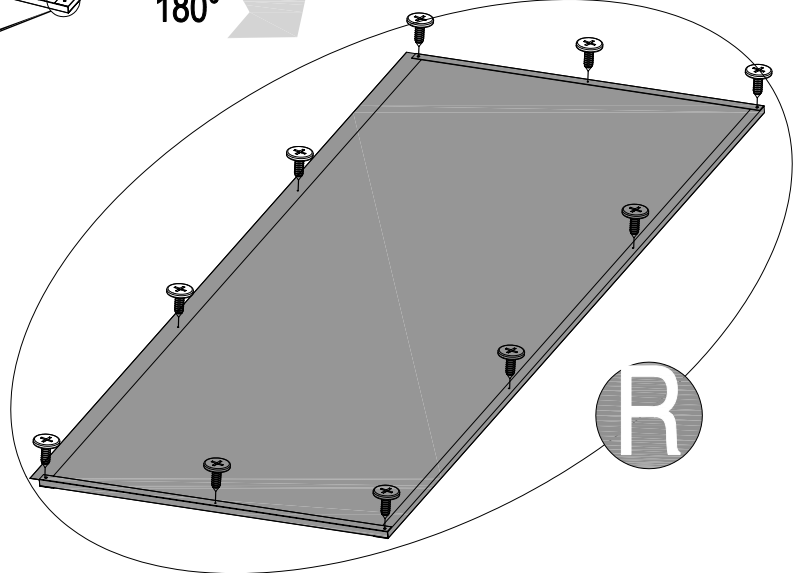
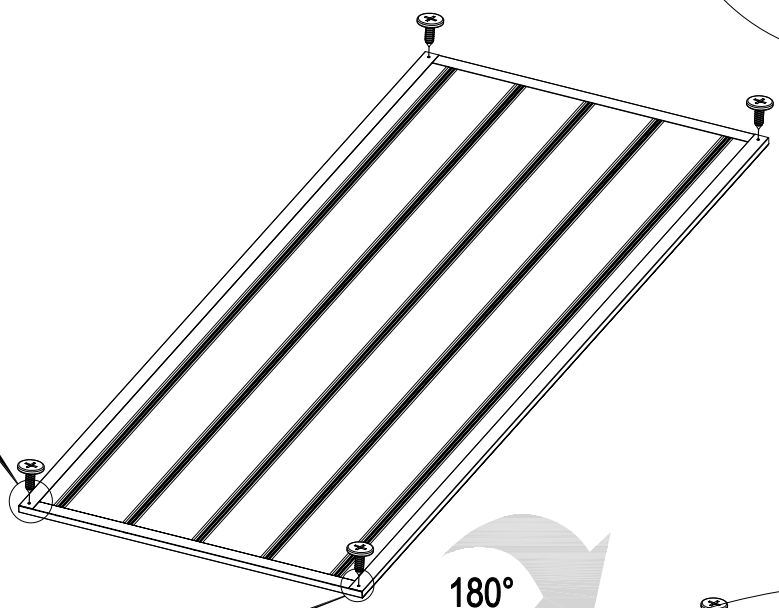
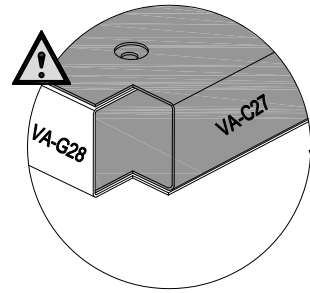
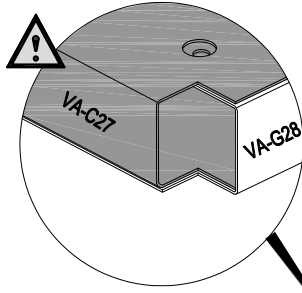
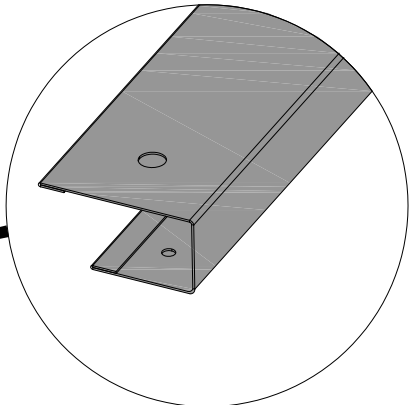
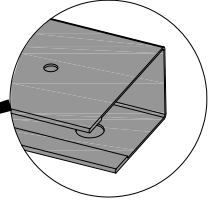
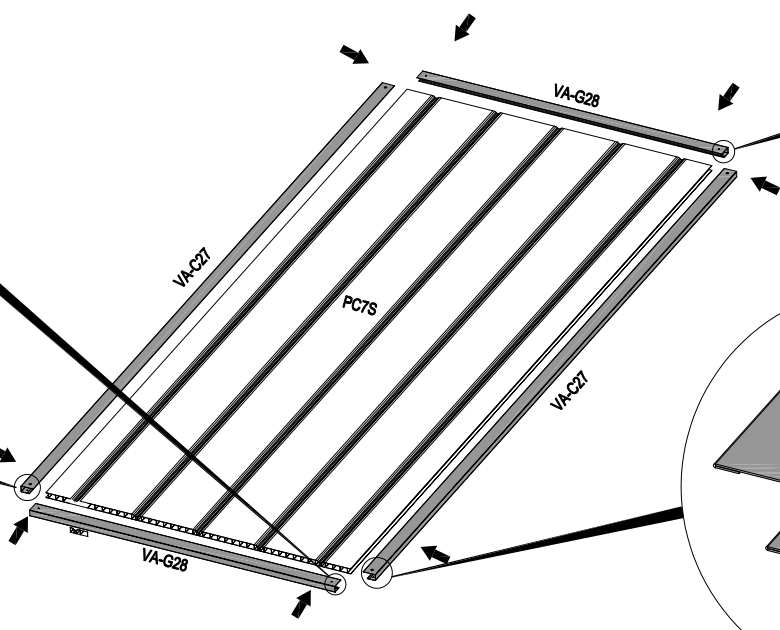
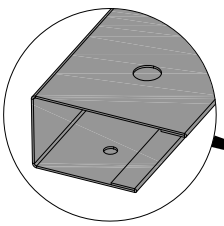
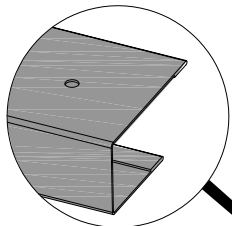
VA-C27 [x2]
1810mm



VA-G28 [x2]
747mm



VA-G44 [x14]
13mm



44



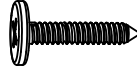
VA-41 [x4]



VA-40 [x1]



PA01 [x3]



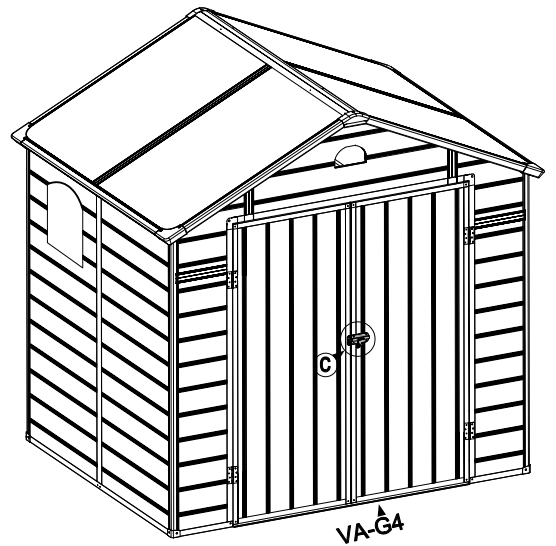
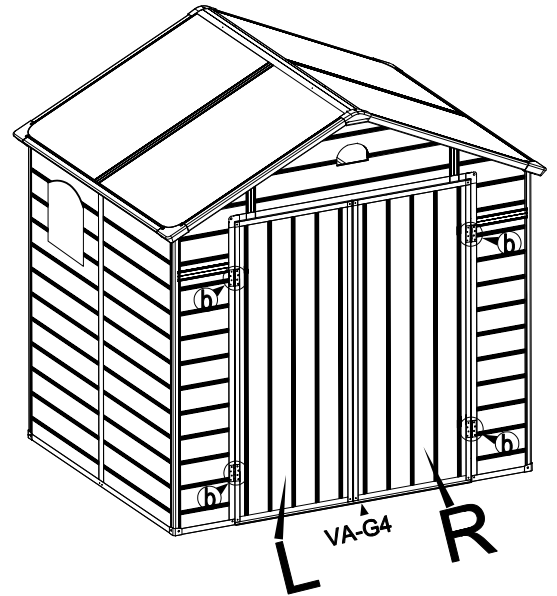
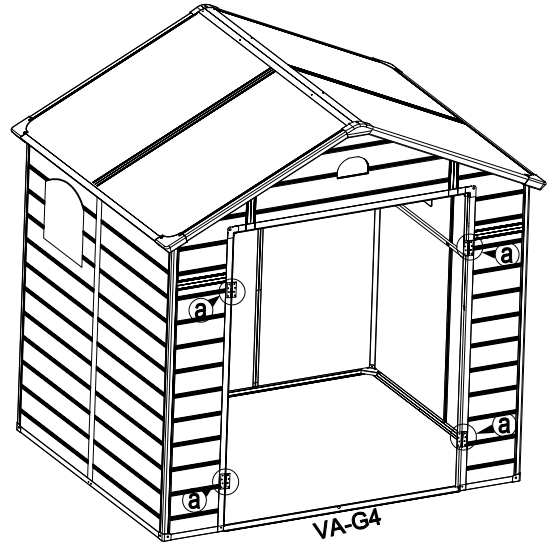
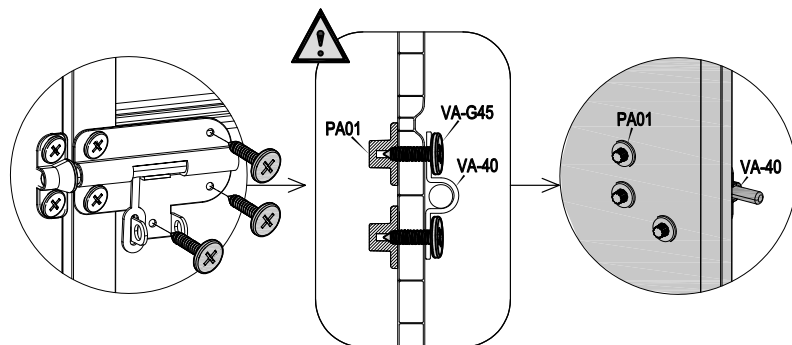
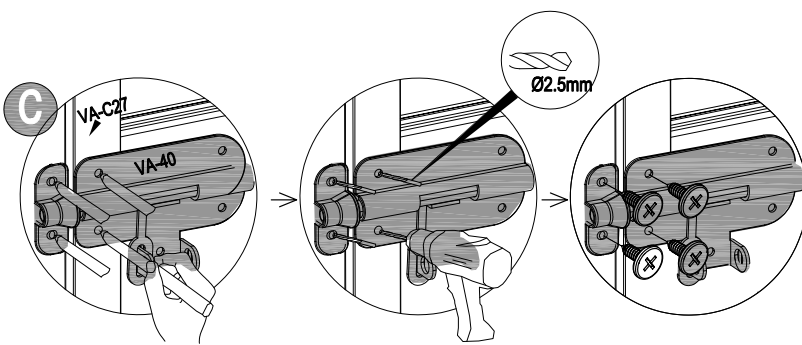
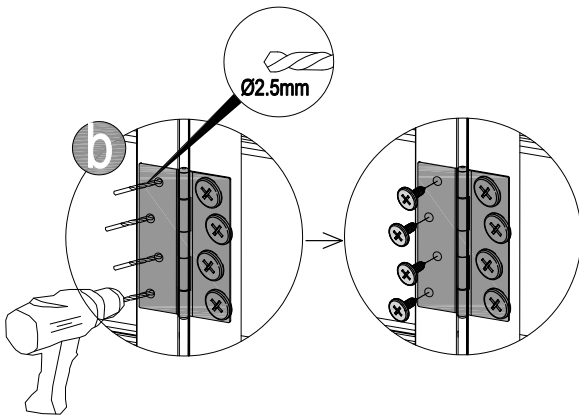
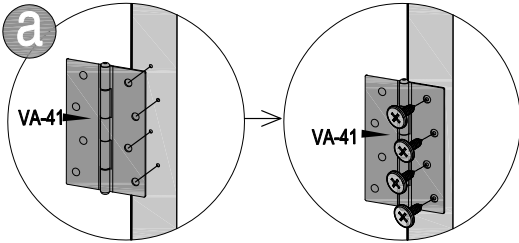
VA-G45 [x3]
19mm



VA-G44 [x36]
13mm



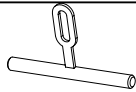
Ø2.5mm



45



VA-38a [x2]



VA-38b [x2]



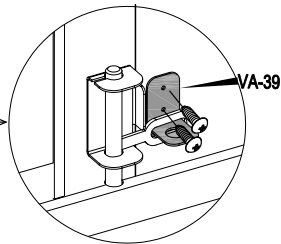
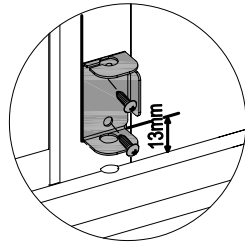
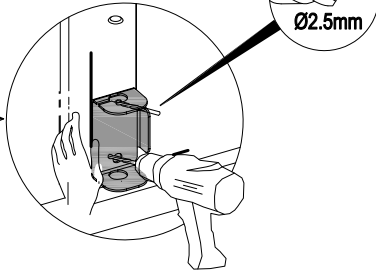
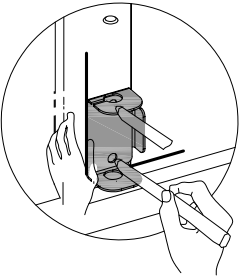
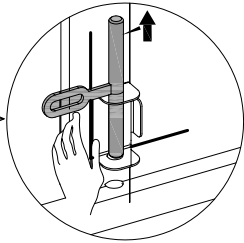
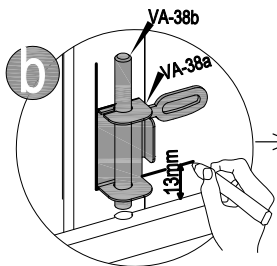
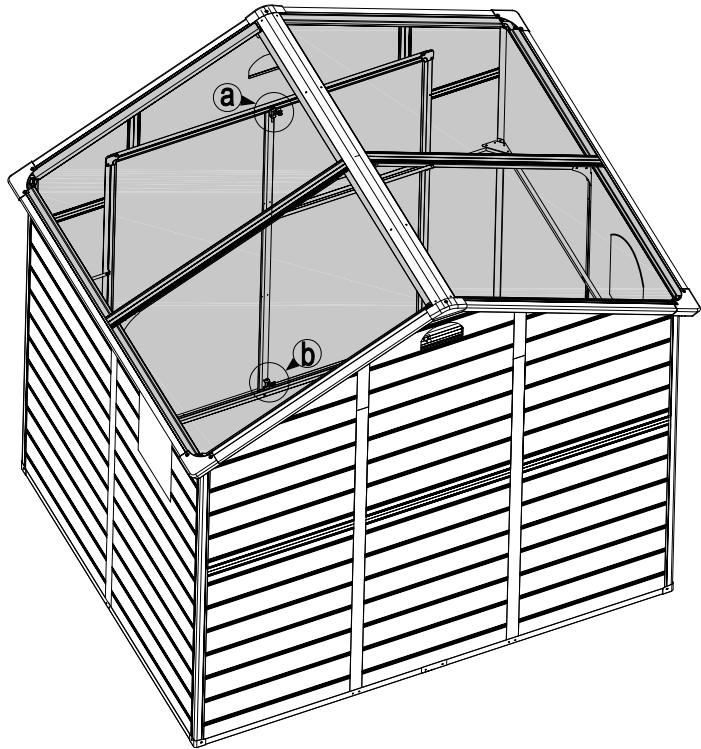
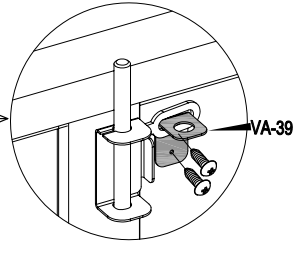
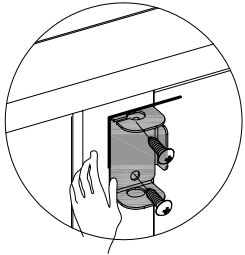
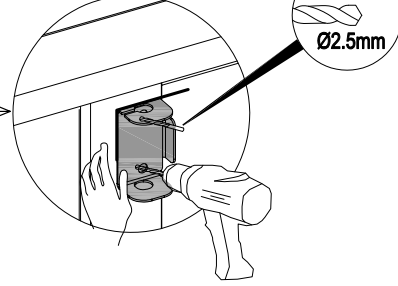
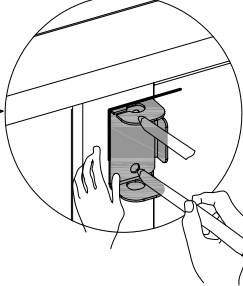
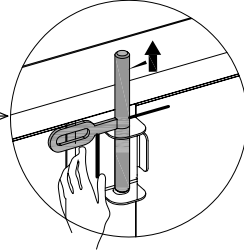
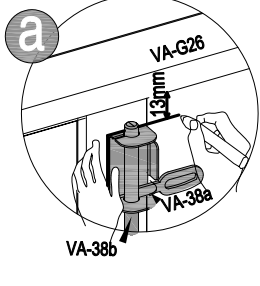
VA-39 [x2]



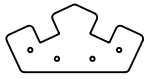
VA-G49 [x8]
13mm



Ø2.5mm



46



VA-36 [x2]



VA-32L [x2]



VA-32R [x2]



VA-37 [x4]



VA-G44 [x44]
13mm



VA-G48 [x4]
40mm

