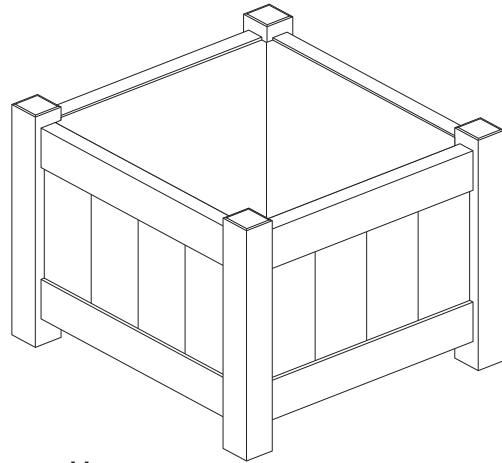


Aston Planter

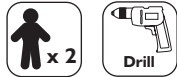
English SS532

Assembly Instructions



Before assembly

- We recommend that time is taken to read the instructions before starting assembly, then follow the easy step by step guide. The instruction sheet is only a guide to the assembly. Certain items may not be shown to scale.
- Check all components prior to assembly
- Drill pilot holes for every screw.
- This product should be assembled by two people
- Never attempt to erect the assembly in high winds.

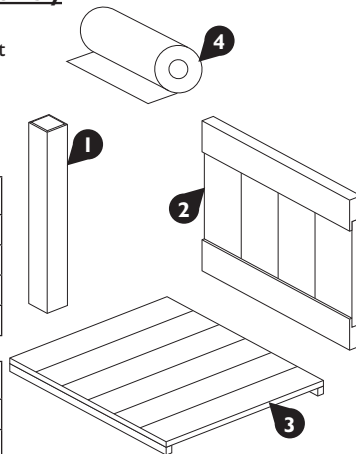


Recommended tools for assembly

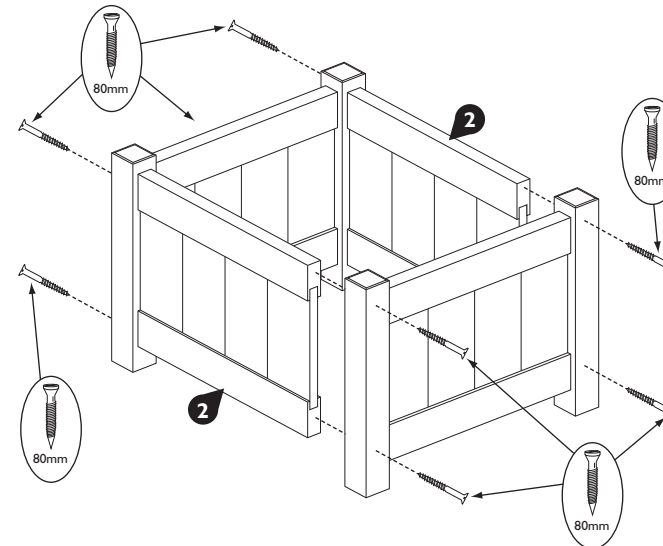
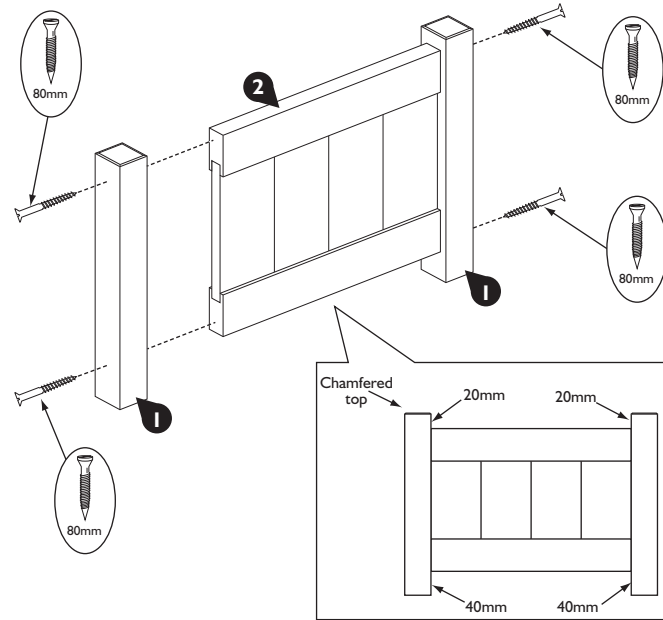
- Power drill/screwdriver
- Drill with 3mm diameter drill bit
- Crosshead screwdriver bit
- Tape measure

No.	Components	Qty.
1	Corner Posts	4
2	Side panels	4
3	Floor	1
4	Liner material	1

No.	Fixings	Qty.
4	80mm screw	16
5	50mm screw	6

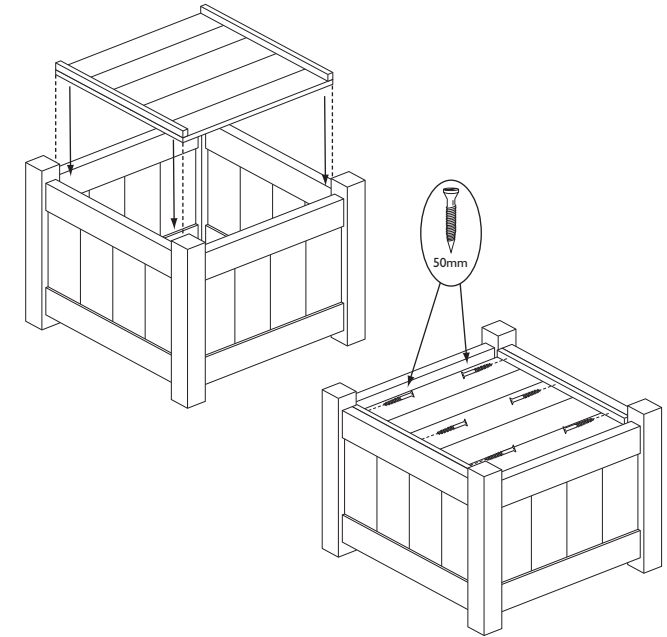


1. Sides



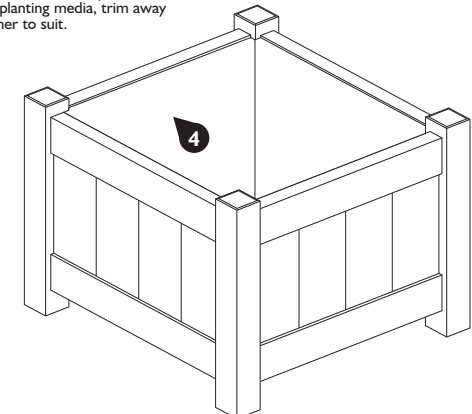
2. Floor panel

Important Note: turn planter upside down to fit floor.



3. Liner

Position the liner inside the planter and fill with chosen planting media, trim away any excess liner to suit.



We constantly improve the quality of our products, occasionally the components may differ from the components shown and are only correct at time of printing. We reserve the right to change the specification of our products without prior notice.