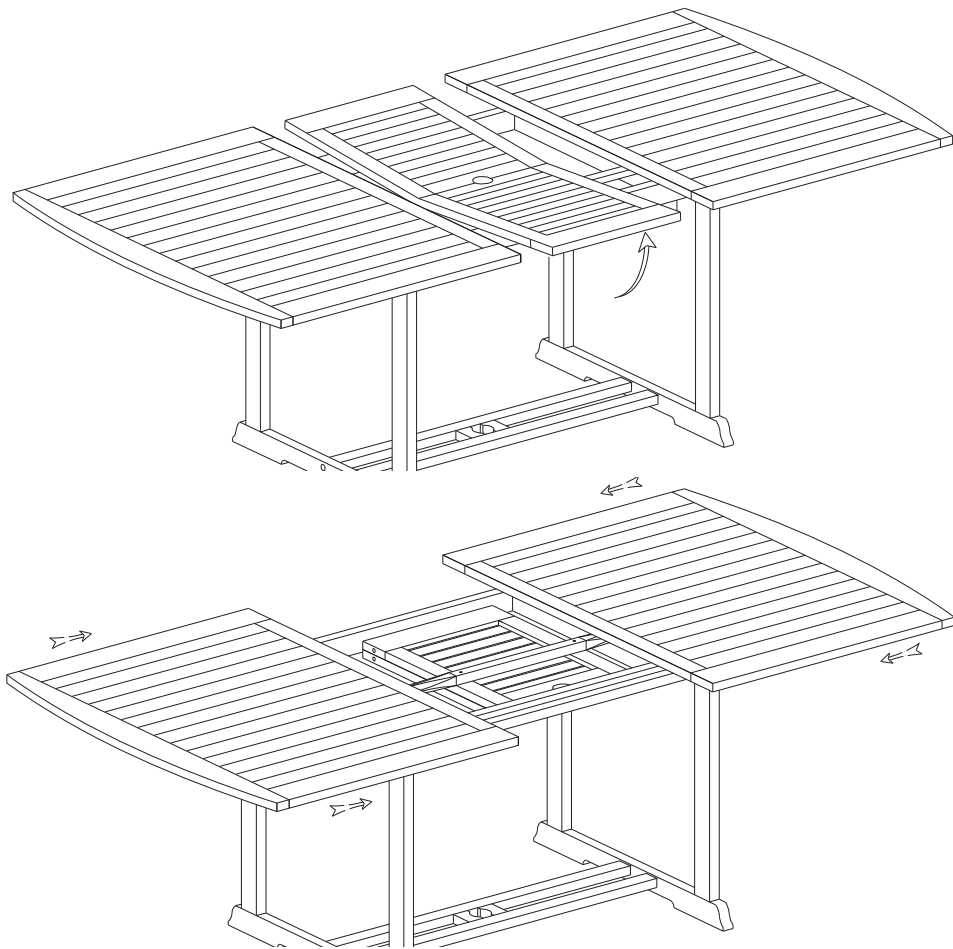


### 5. Operating the table extension

Fold the table extension into the middle of the table. Push the two table top sections together until they meet in the middle. Table position should be secured using the latches on the underside of the table.



### Safety information

## IMPORTANT, RETAIN FOR FUTURE REFERENCE: READ CAREFULLY

Periodically check all fastenings for tightness

For domestic use only

If in doubt of any aspect regarding the assembly, use or safety of your arbour please contact us :

**Help Line: (Normal Office Hours) 01829 261 121**

**Email: support@rowgar.co.uk**

ROWLINSON GARDEN PRODUCTS LIMITED  
Green Lane  
Wardle Nr. Nantwich  
Cheshire  
CW5 6BN  
[www.rowgar.co.uk](http://www.rowgar.co.uk)

We constantly improve the quality of our products, occasionally the components may differ from the components shown and are only correct at time of printing. We reserve the right to change the specification of our products without prior notice.

2015 © Rowlinson Garden Products Ltd

 **ROWLINSON®**  
GARDEN PRODUCTS

## Bali set table assembly

## English SS262A

### Assembly Instructions

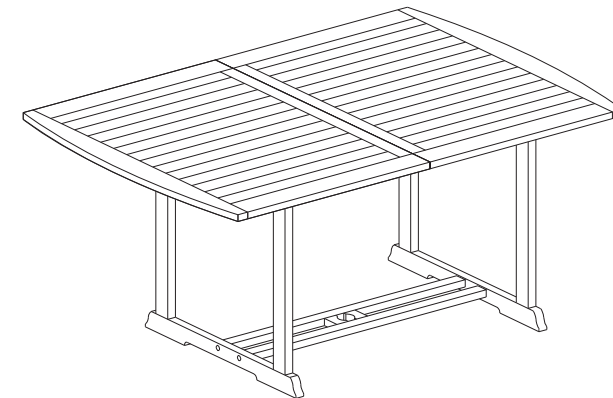
#### Before assembly

- We recommend that time is taken to read the instructions before starting assembly, then follow the easy step by step guide. The instruction sheet is only a guide to the assembly. Certain items may not be shown to scale.
- Check all components prior to assembly
- This product should be assembled by no less than two people



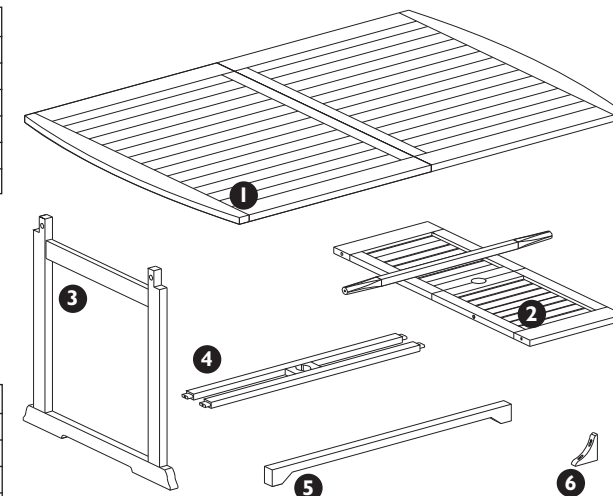
#### Recommended tools for assembly

- Allen Keys (supplied with kit)
- Cross head screw driver



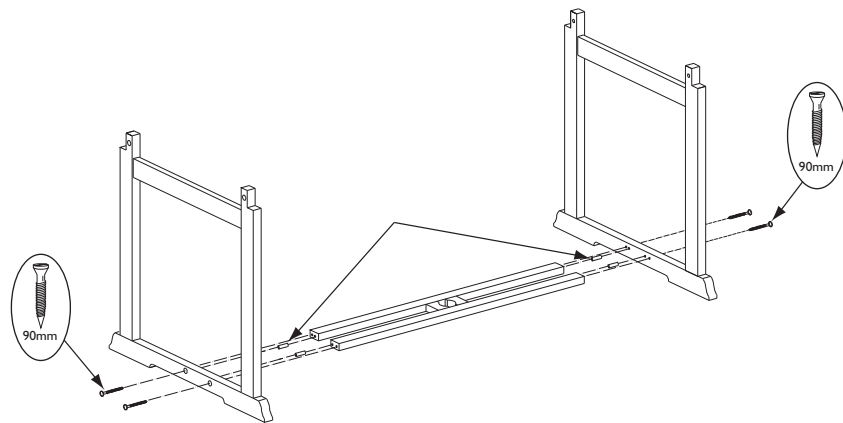
No.	Components	Qty.
1	Table top	1
2	Table top extension	1
3	Legs	2
4	Leg brace	1
5	Extension support	1
6	Leg corner supports	6

No.	Fixing kit	Qty.
7	90mm screws	4
8	60mm screws	8
9	40mm screws	16
10	Dowels	4
11	Allen key	1



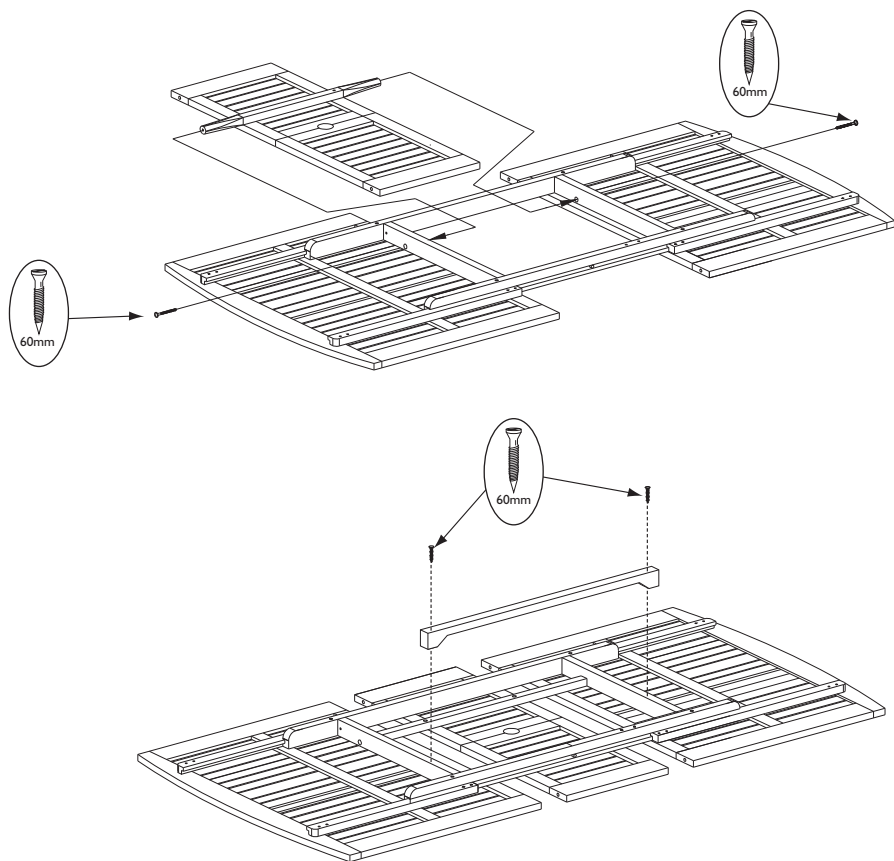
### 1. Leg braces

Join the 2 legs together using the leg braces as shown below. Secure the using 2 x dowels and 2 x 90mm screws at each end, slot in the dowels and screw through the pre-drilled holes of the legs into the brace.



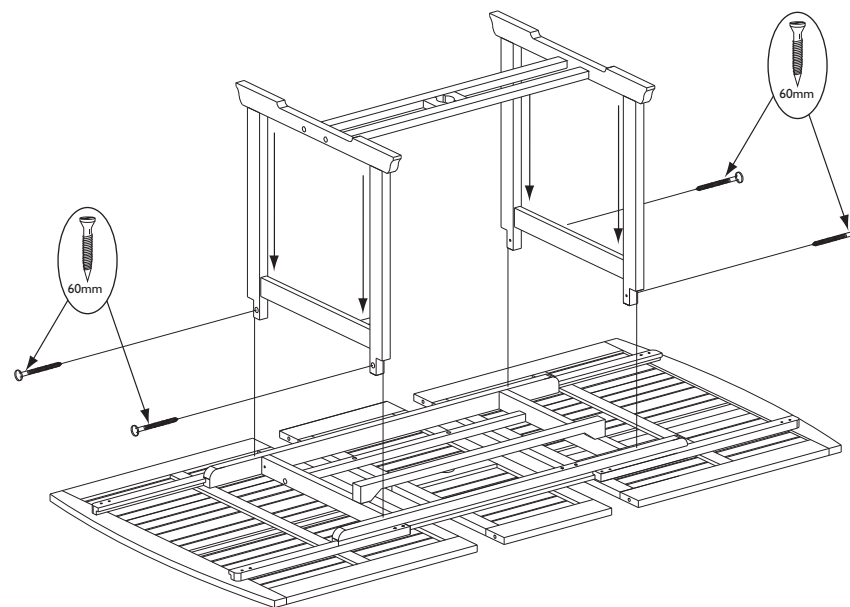
### 2. Table top extension

Seat the table extension into position on the table top and secure to the table frame using 2 x 60mm as shown. Secure the extension support in the position shown using 2 x 60mm screws



### 3. Legs to table top

Position the leg assembly onto the table assembly as shown. Secure using 4 x 60mm screws, screw through the pre-drilled holes of the legs into the framing of the table assembly.



### 4. Leg corner supports

Position the 4 leg corner supports as shown and secure through the pre-drilled holes using 4 x 40mm screws per corner support.

