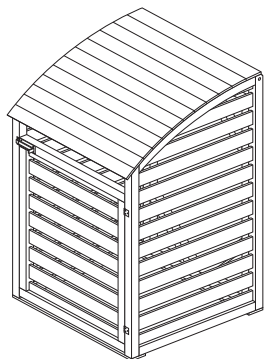


Bin Store

English SSI89C

Assembly Instructions



Before assembly

- We recommend that time is taken to read the instructions before starting assembly, then follow the easy step by step guide. The instruction sheet is only a guide to the assembly. Certain items may not be shown to scale.
- Check all components prior to assembly
- Drill all components where indicated.
- This product should be assembled by no less than two people.
- Never attempt to erect the assembly in high winds.

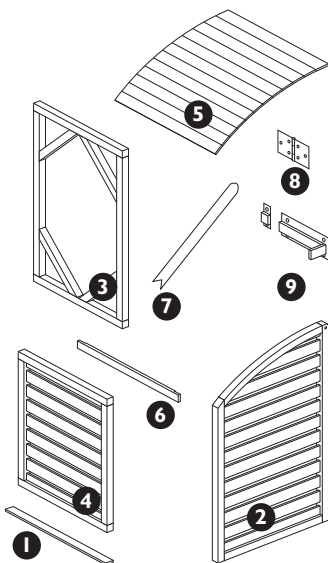


Recommended tools for assembly

- Cross head screw driver
- Drill with 3mm diameter drill bit
- 13mm Spanner

| No. | Components | Qty. |
|-----|-------------|------|
| 1 | Base plates | 2 |
| 2 | Side panel | 2 |
| 3 | Back panel | 1 |
| 4 | Door | 1 |
| 5 | Lid | 1 |
| 6 | Front rail | 1 |
| 7 | Lid stay | 1 |

| No. | Fixing kit | Qty. |
|-----|-------------|------|
| 8 | Hinges | 2 |
| 9 | Slide bolt | 1 |
| 10 | 100mm bolt | 2 |
| 11 | Nuts | 2 |
| 12 | Washers | 2 |
| 13 | Chain | 2 |
| 14 | 60mm screws | 6 |
| 15 | 40mm screws | 9 |
| 16 | 30mm screws | 18 |
| 17 | 15mm screws | 2 |

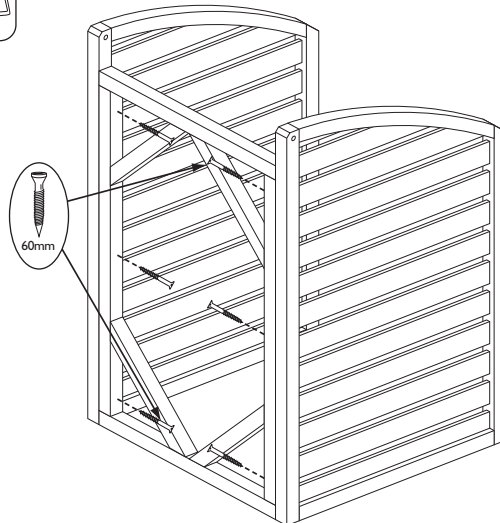


1. Sides and back

Align the the back panel with a side panel, ensure the two panels are level at the bottom. Secure together using 3 x 60mm screws. Attach the remaining side panel to the other side of the back in the same way as shown below.



Drill pilot holes in the frames of the side panels for each screw.

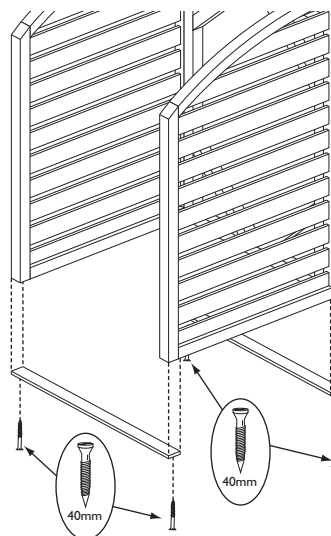


2. Base plates

Attach the two base plates using 2 x 40mm screws per plate. Attach the plates as shown in the diagram below, ensure that the end of each plate is flush with corners of the side panels.

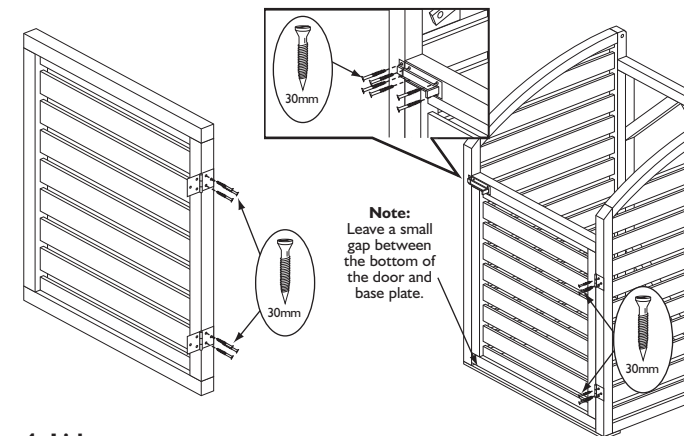


Drill pilot holes in the base plates for each screw.



4. Door

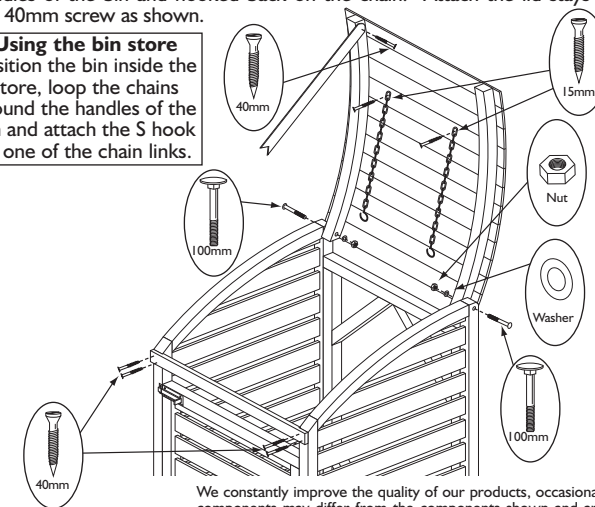
Attach the hinges to the frame of the door as shown below using 3x30mm screws per hinge. Position the door between the two side panels leaving a small gap between the bottom of the door and the base plate. Secure the hinges to the right side panel using 3x30mm screws per hinge. Position the two parts of the slide bolt as shown below and secure using 6x30mm screws.



4. Lid

Secure the front rail to the front of the uprights using 4 x 40mm screws. Position the lid between the side panels as shown. On each side align the pre-drilled bolt holes and insert a bolt. Secure each bolt with a washer and a nut. Do not over tighten the nuts. Attach the two chains to the inside of the lid using 1 x 15 mm screw per chain. Position the chains so that they can be looped round the handles of the bin and hooked back on the chain. Attach the lid stays using 1 x 40mm screw as shown.

Using the bin store
Position the bin inside the store, loop the chains around the handles of the bin and attach the S hook to one of the chain links.



We constantly improve the quality of our products, occasionally the components may differ from the components shown and are only correct at time of printing. We reserve the right to change the specification of our products without prior notice.