

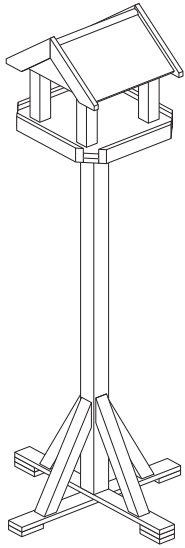
Windrush Bird Table

English SS314A

email: support@rowgar.co.uk

Help Line (Normal Office Hours) 01829 261 121

Assembly Instructions



Before assembly

- We recommend that time is taken to read the instructions before starting assembly, then follow the easy step by step guide. The instruction sheet is only a guide to the assembly. Certain items may not be shown to scale.
- Check all components prior to assembly
- This product should be assembled by no less than two people.

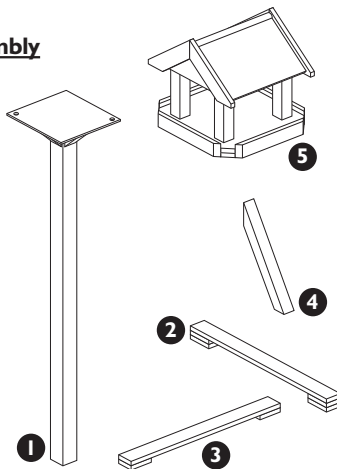


Recommended tools for assembly

- screwdriver

No.	Components	Qty.
1	Centre post	1
2	Upper foot	1
3	Lower foot	1
4	Leg brace	4
5	Table top (slate roof)	1

No.	Fixing kit	Qty.
6	Washer	2
7	Wing nuts	2
8	35mm screw	8
9	70mm screw	1



1. Feet

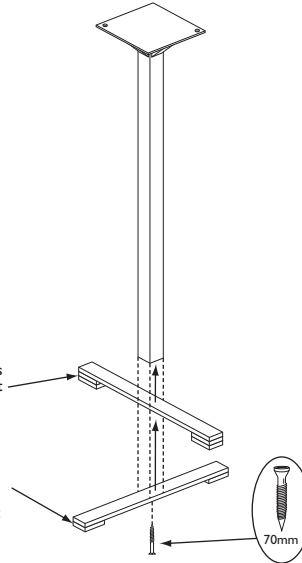
Using 1 x 70mm screw, screw through the centre of the lower foot then the upper foot and into the bottom of the centre post.

Note:

Upper foot has two blocks at each end.

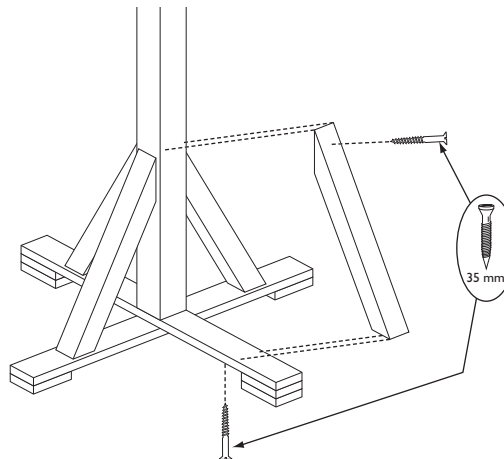
Note:

Lower foot has one block at each end.



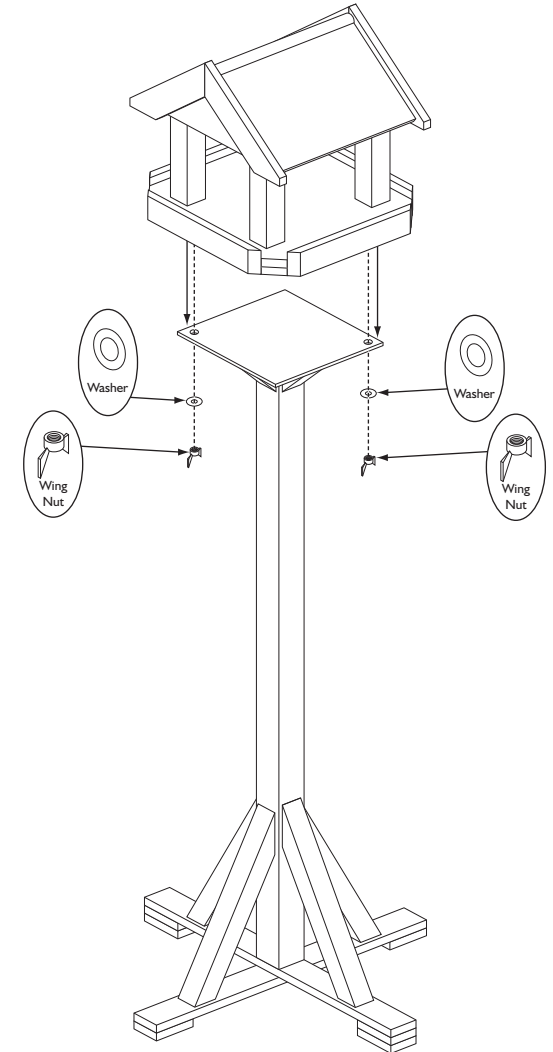
2. Braces

Between the feet and the centre post, secure a brace on each of the four sides. For each brace, screw through the brace into the post using 1 x 35mm screw. At the bottom screw through the foot into the bottom of the brace using 1 x 35mm screw.



3. Table top

Place the table top on to the top of the centre post. Ensure the two threaded bolts are located through the holes in the top of the post. Secure underneath using a washer and a wing nut on the end of each threaded bolt.



We constantly improve the quality of our products, occasionally the components may differ from the components shown and are only correct at time of printing. We reserve the right to change the specification of our products without prior notice.

2013 © Rowlinson Garden Products Ltd