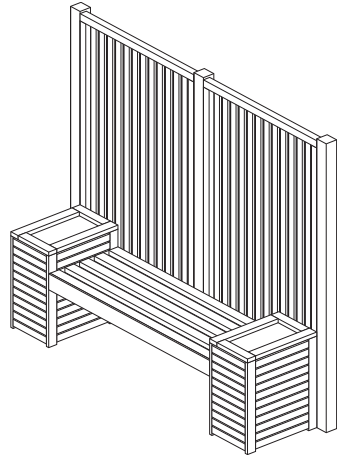


Garden Creations Seat Set

English SS407

email: support@rowgar.co.uk
Help Line (Normal Office Hours) 01829 261 121

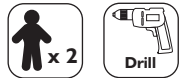
Assembly Instructions



Biocidal Products Regulation EU 528/2012
Korasit® KS treated wood is a treated article that incorporated biocidal products: copper hydroxide carbonate, N,N-didecyl-N-methylpyrrolidiniumpropionate. They protect wood against fungal decay, rot and insect attack. Keep away from food, drink and animal feeding stuffs. Avoid breathing dust when cutting treated wood.

Before assembly

- We recommend that time is taken to read the instructions before starting assembly, then follow the easy step by step guide. The instruction sheet is only a guide to the assembly. Certain items may not be shown to scale.
- Check all components prior to assembly
- Drill all components where indicated.
- This product should be assembled by no less than two people.
- Never attempt to erect the assembly in high winds.

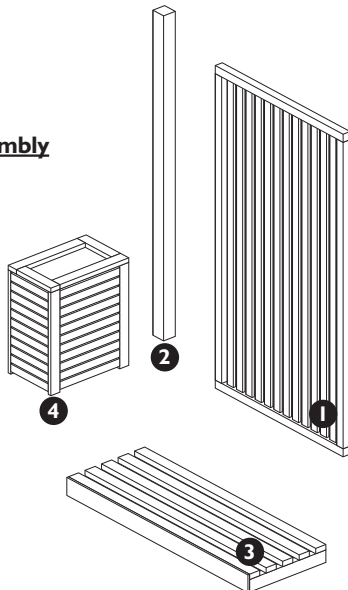


Recommended tools for assembly

- Cross head screw driver
- Drill with 2mm diameter drill bit
- Tape measure

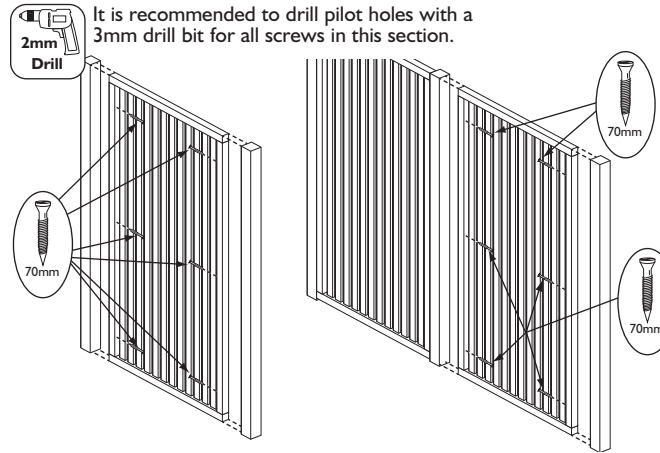
| No. | Components | Qty. |
|-----|------------|------|
| 1 | Panel | 2 |
| 2 | Post | 3 |
| 3 | Seat | 1 |
| 4 | Planter | 2 |

| No. | Fixing kit | Qty. |
|-----|-------------|------|
| 5 | 70mm screws | 16 |
| 6 | 50mm screws | 8 |



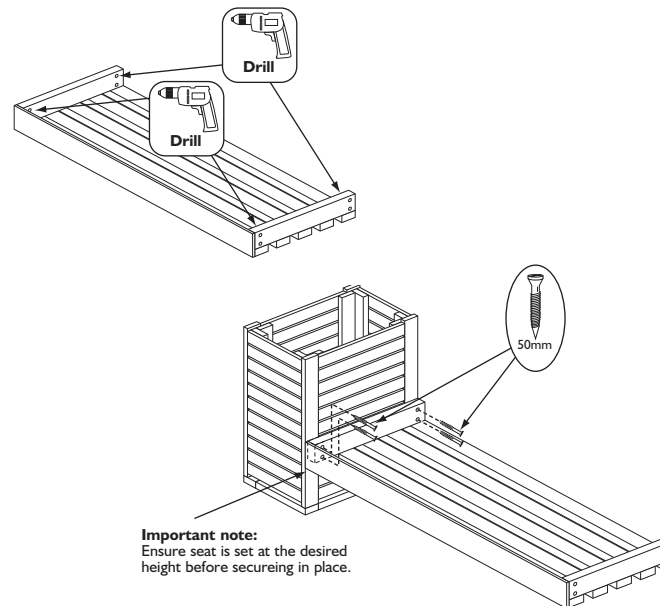
1. Panels and Posts

Attach two posts to either side of a panel as shown using 3x 70mm screws per post. Screw through the panel into the posts. Attach the second panel and the third post in the same way.



2. Seat

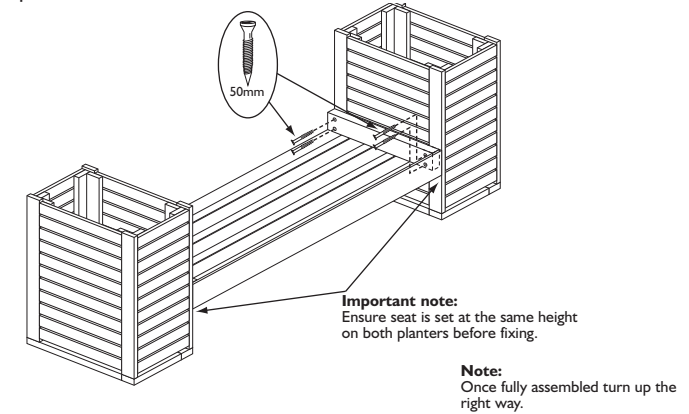
With the seat upside down on a soft surface, pre drill pilot holes in seat bearer as shown. Position a planter upside down and secure the seat to the planter at the desired height using 4 x 50mm screws.



Important note:
Ensure seat is set at the desired height before securing in place.

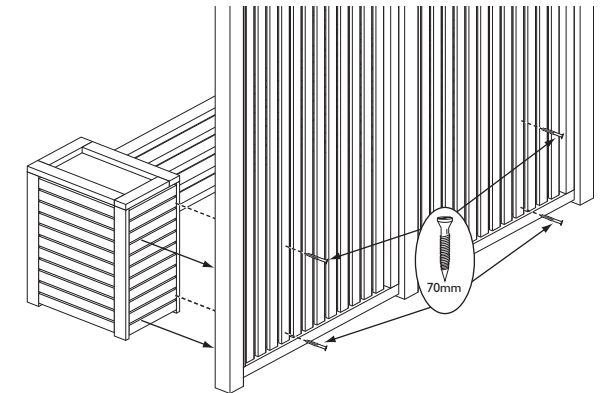
3. Seat

To the other end of the seat attach the second planter in the same way using 4 x 50mm screws. Ensuring that the seat is set at the same height as on the first planter. Once fully fixed turn the seat and planter assembly the right way up.



4. Securing seat to panels

Position the seat and panel assembly together and secure using 4 x 70mm screws. Screw through the slats in the panels into the back of the planter



**IMPORTANT: RETAIN FOR FUTURE REFERENCE
READ CAREFULLY**

Periodically check all fastenings for tightness
For domestic use only

We constantly improve the quality of our products, occasionally the components may differ from the components shown and are only correct at time of printing. We reserve the right to change the specification of our products without prior notice.