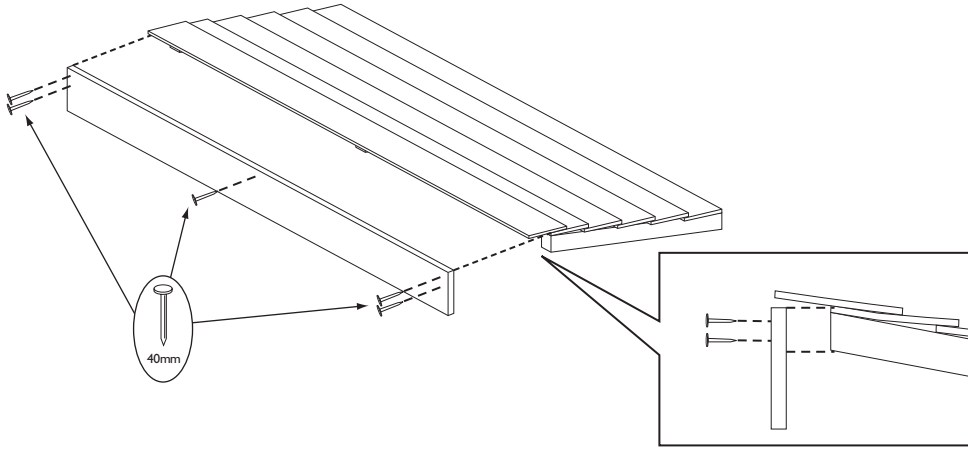


## 5. Roof Fascia

Position the front fascia board underneath the top board and secure to the roof framing. At each end use 2 x 40mm nails. In the middle use only 1 x 40mm nail.

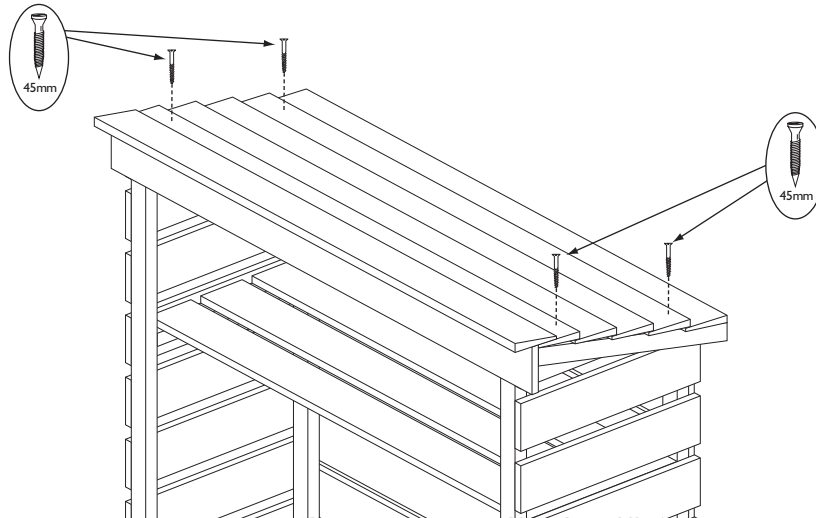


## 6. Roof

Place the roof over the top of the back and sides. Secure down using 4 x 45mm screws. Screw through the top of the roof into the tops of the side panel frame.



It may be necessary to drill pilot holes for all screws in this section.



## Information

If in doubt of any aspect regarding the assembly, use or safety of your log store, please contact us:

**Help Line (Normal Office Hours) 01829 261 121**

**Email: support@rowgar.co.uk**

ROWLINSON GARDEN PRODUCTS LIMITED  
Green Lane  
Wardle Nr. Nantwich  
Cheshire  
CW5 6BN  
[www.rowgar.co.uk](http://www.rowgar.co.uk)

We constantly improve the quality of our products, occasionally the components may differ from the components shown and are only correct at time of printing. We reserve the right to change the specification of our products without prior notice.

2022 © Rowlinson Garden Products Ltd

# Small Log Store

# English SS242E

## Assembly Instructions

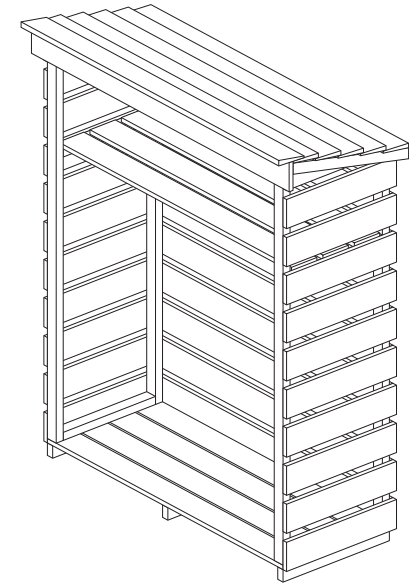
### Before assembly

- We recommend that time is taken to read the instructions before starting assembly, then follow the easy step by step guide. The instruction sheet is only a guide to the assembly. Certain items may not be shown to scale.
- Check all components prior to assembly
- This product should be assembled by no less than two people
- Drill all components where indicated



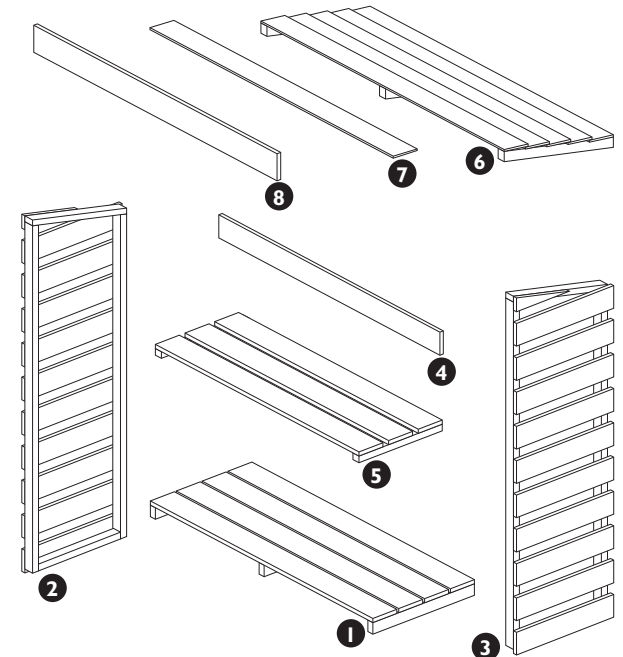
### Recommended tools for assembly

- Power drill/screwdriver
- 2mm drill bit
- Cross head screwdriver bit
- Hammer
- Spirit level



No.	Components	Qty.
1	Floor	1
2	Left side panel	1
3	Right side panel	1
4	Back slat	10
5	Shelf	1
6	Roof panel	1
7	Roof top board	1
8	Roof fascia	1

No.	Fixing Kit	Qty.
9	63mm screws	4
10	50mm screws	4
11	45mm screws	4
12	40mm nails	48
13	30mm nails	6



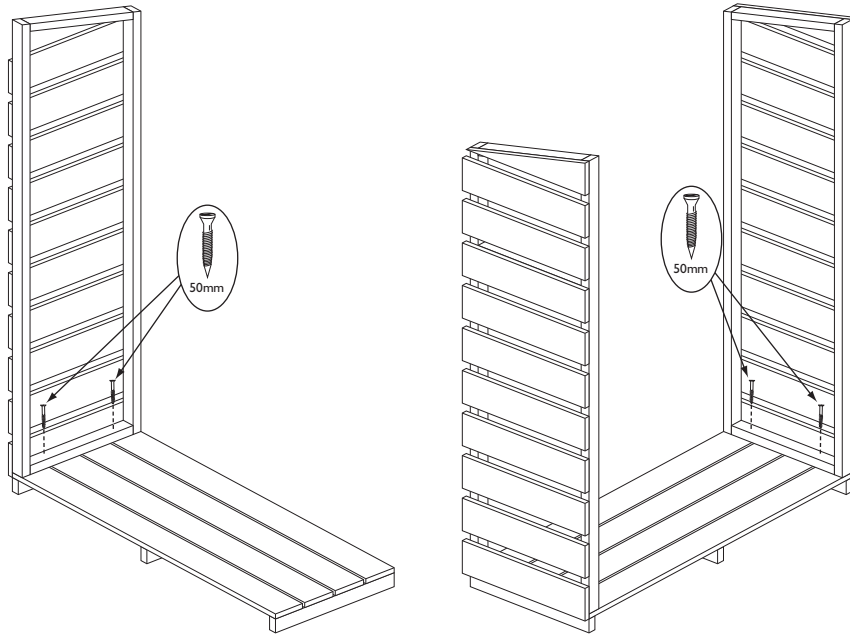
## 1. Wall Panels

Position the left side panel on the floor so that the frame sit on the floor and the cladding overhang the floor edge. Secure through the bottom frame of the side panel into the floor using 2 x 50mm screws. Position and attached the right side panel in the same way.



Drill

It may be necessary to drill pilot holes for the screws in this section.



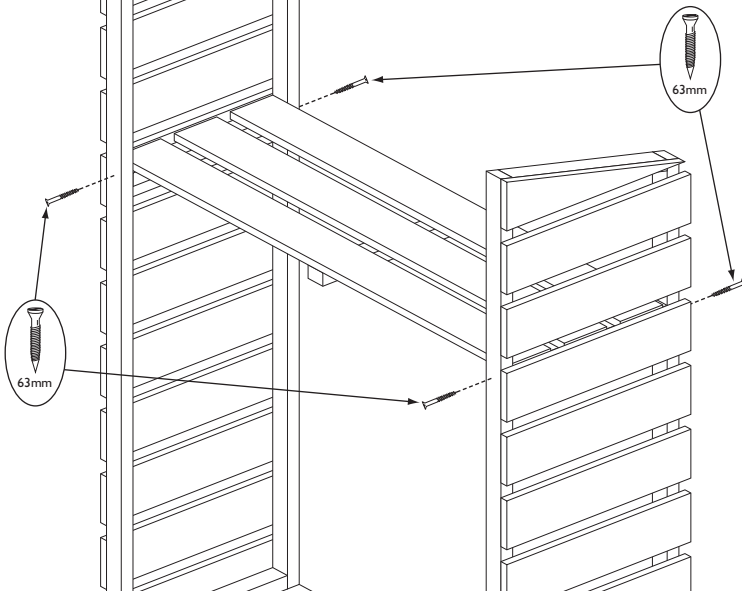
## 2. Shelf

Position the shelf at the desired height between the two side panels. Secure in place using 4 x 63mm screws. Screw through the frame of the side panel in to the ends of the shelf frames as show below.



Drill

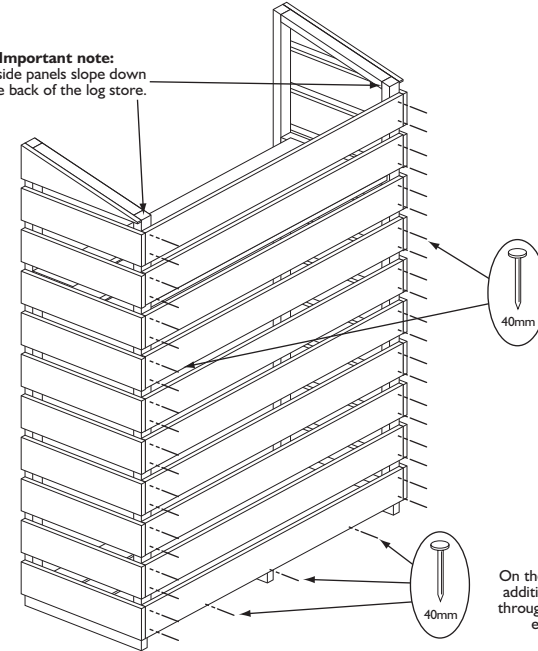
It may be necessary to drill pilot holes for the screws in this section.



## 3. Back Slats

Secure the ten back slats to the back of the log store. Align each slat with the slats on the side panels and secure in place using 2 x 40mm nails at each end of each slat. Nail the bottom back slat to the floor using an additional 3 x 40mm nail.

**Important note:**  
The side panels slope down to the back of the log store.



**Note:**  
On the bottom slat, add an additional three nails. Nail through the board in to the edge of the floor.

## 4. Roof Top Board

To the roof panel, position the roof top board so that it overhangs the front edge by 50mm. Secure in place using 6 x 30mm nails.

