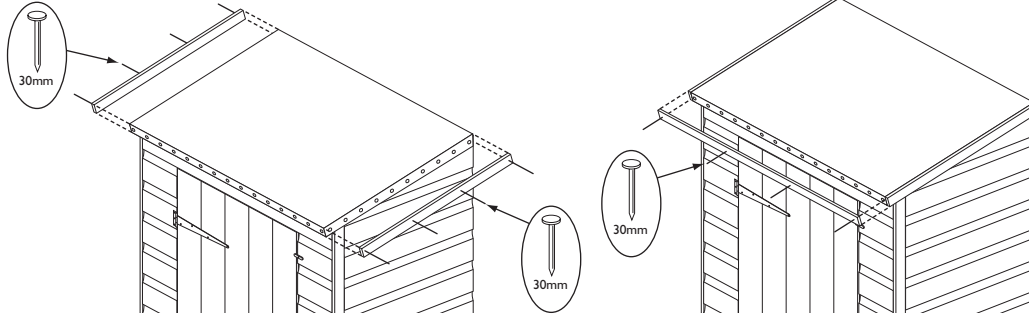


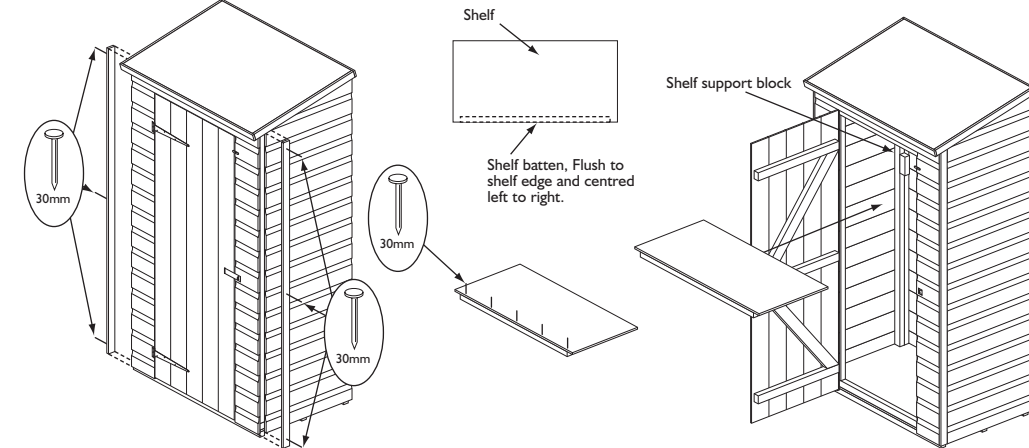
## 7. Bargeboards

Attach a short barge board to each side ensure the top and front edges are flush with the roof line and secure each board in place using 4 x 30mm nails as shown. Attach the long bargeboard to the front of the roof make sure it is flush to the roof line use 4 x 30mm nails as shown.



## 8. Coverstrips and Shelf

Fit a coverstrip into each of the two front corners and secure with 3 x 30mm nails per strip as shown. Position the shelf batten flush along a long edge of the shelf panel and centred, secure using 5 x 30mm nails. Nail through the shelf and into the batten. Insert shelf into store and rest on the shelf support blocks.



## Important information

To **VALIDATE** the guarantee: Shiplap buildings come ready stained but this is only a preparatory treatment. the building must be properly treated with a recognised external wood preserver **WITHIN 3 MONTHS** of assembly and **RE-TREATED ANNUALLY** thereafter.

Adequate provision must be made to ensure ground contact is avoided and air is able to circulate underneath the building.

Placing the building on a concrete pad or slab base is acceptable provided that the building is not allowed to sit in pooled water during wet conditions. If the building is to sit on soil or grass it **MUST** be erected on pressure treated wooden 50mm x 50mm or similar bearers (**These are not supplied in the kit**).

Rowlinson Garden Products recommend using pressure treated bearers with all buildings on any type of base.

If in doubt of any aspect regarding the assembly, use or safety of your Midi Store please contact us:

**Help Line: (Normal Office Hours) 01829 261 121**

**Email: support@rowgar.co.uk**

ROWLINSON GARDEN PRODUCTS LIMITED  
Green Lane  
Wardle, Nr. Nantwich  
Cheshire  
CW5 6BN  
[www.rowgar.co.uk](http://www.rowgar.co.uk)

We constantly improve the quality of our products, occasionally the components may differ from the components shown and are only correct at time of printing. We reserve the right to change the specification of our products without prior notice.

2018 © Rowlinson Garden Products Ltd

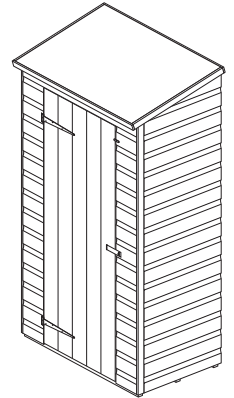
# Shiplap Midi Store

# English SS042E

## Assembly Instructions

### Before assembly

- We recommend that time is taken to read the instructions before starting assembly, then follow the easy step by step guide. The instruction sheet is only a guide to the assembly. Certain items may not be shown to scale.
- Check all components prior to assembly
- This product should be assembled by no less than two people
- Drill all components where indicated

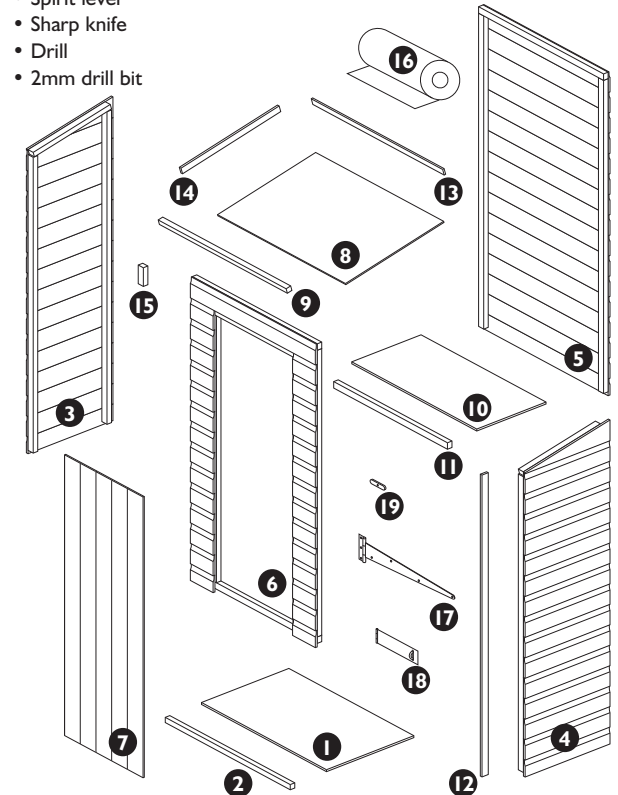


No.	Components	Qty.
1	Floor	1
2	Floor bearers (29 x 29 x 879mm)	3
3	Left side panel	1
4	Right side panel	1
5	Back panel	1
6	Front panel	1
7	Door	1
8	Roof (8 x 625 x 900mm)	1
9	Felt Batten (29 x 29 x 900mm)	1
10	Shelf (11 x 530 x 805mm)	1
11	Shelf batten (36 x 29 x 740mm)	1
12	Coverstrip (12 x 40 x 1690mm)	2
13	Front bargeboard	1
14	Side bargeboards (12 x 40 x 635mm)	2
15	Shelf support block	4
16	Roof felt roll	1

### Recommended tools for assembly

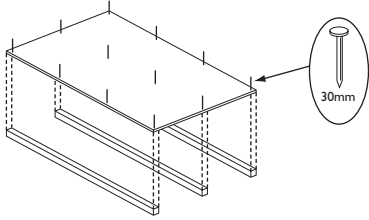
- Powered cross head screw driver
- Hammer
- Spirit level
- Sharp knife
- Drill
- 2mm drill bit

No.	Fixing kit	Qty.
17	T-hinges	2
18	Hasp and staple	1
19	Turn button	1
20	50mm screws	20
21	25mm screws	15
22	19mm round head screws	7
23	30mm nails	71
24	10mm felt nails	30



## 1. Floor

Attach the floor bearers to the floor using 4 x 30mm nails per bearer. Have the two outer bearers flush with the edge of the floor and centre the middle bearer. Nail through the floor into the bearer.



### Important note

To "VALIDATE" the guarantee, adequate provision must be made to ensure ground contact is avoided and air is able to circulate underneath the building.

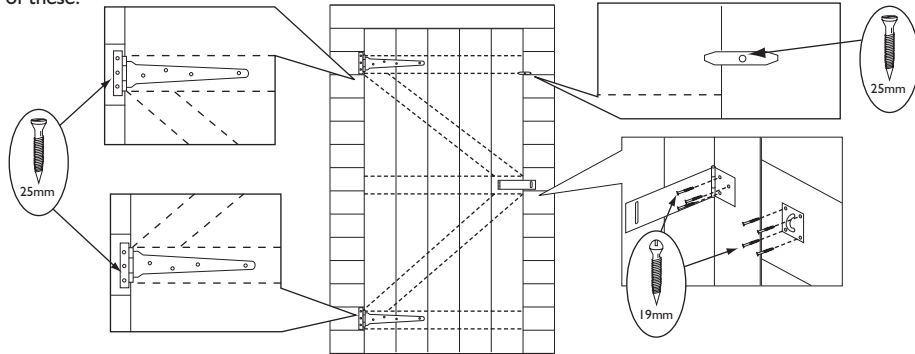
Placing the building on a concrete pad or slab base is acceptable provided that the building is not allowed to sit in pooled water during wet conditions.

If the building is to sit on soil or grass it **MUST** be erected on pressure treated wooden 50mm x 50mm or similar bearers (**These are not supplied in the kit**).

Rowlinson Garden Products recommend using pressure treated bearers with all buildings on any type of base.


## 2. Door

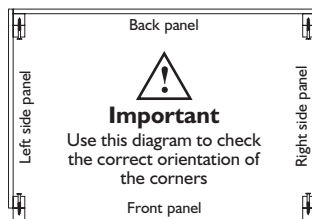
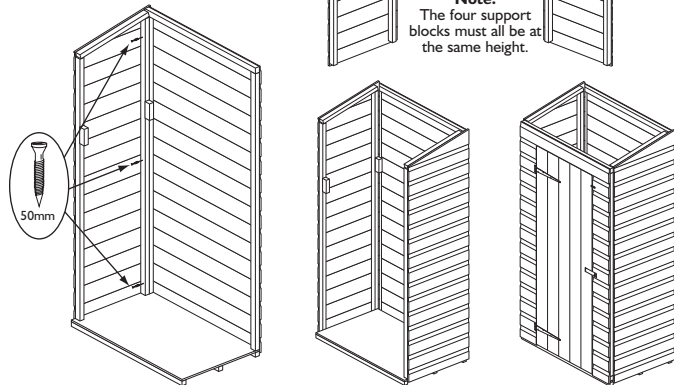
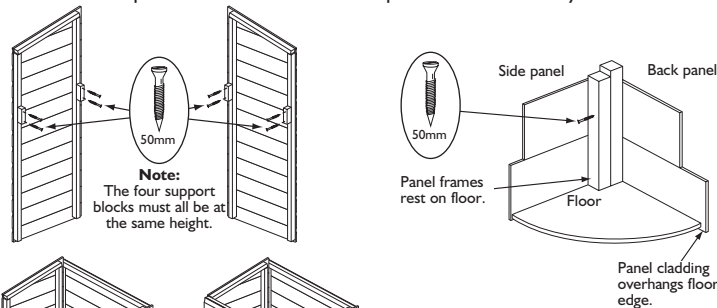
Lay the front panel flat on the ground. Place door into position. Fix the two T-hinges to the door with 4 x 25mm screws per hinge as show below. Secure the hinges to the door frame using 3 x 25mm screws per hinge. Fit the turn button to the door frame using 1 x 25mm screw and then fit the hasp and staple with 7 x 19mm screws, see the diagram for the position of these.



## 3. Wall panels

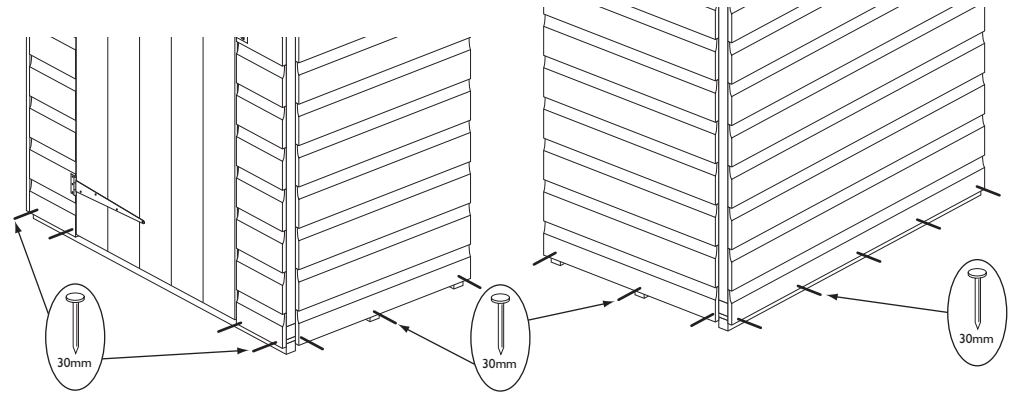
Secure two shelf support blocks to each side panel at the desired height using 2 x 50mm screws per block. Position the back panel and the left-hand side panel as shown. Note how the panel frames sit on the floor with the panel cladding overhanging the floor edge. Ensure square and secure using 3 x 50mm screws through the frame of the side panel, into the frame of the back panel. Repeat for other side panel and then add the front panel in the same way as the back.

 Drill pilot holes for each screw with a 2mm drill before assembly.



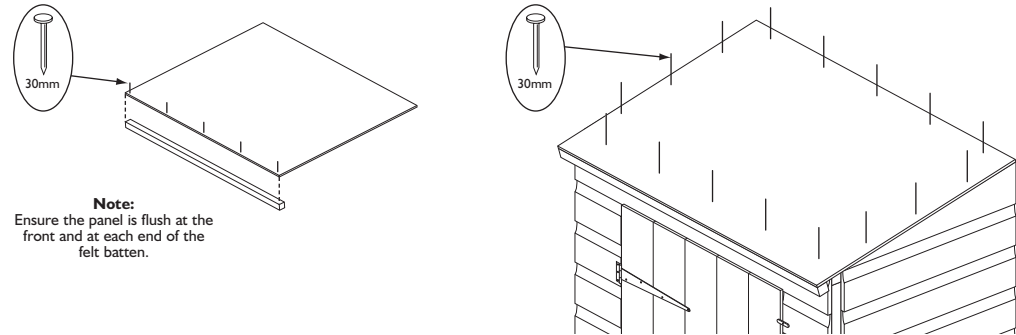
## 4. Secure walls to floor

Secure each side panel to the floor using 3 x 30mm nails per side. Nail through the panel cladding into the floor and floor bearers. Secure in the same way the back panel using 5 x 30mm nails and the front using 4 x 30mm nails.



## 5. Roof

Fix the roof panel flush to the felt batten as shown, using 30mm nails, nail through the roof into the batten. Lift the roof onto the assembly with the felt batten at the front. Ensure the roof is flush at the sides and back of the store and secure in place using 5 x 30mm nails along the front and back, 3 x 30mm nails on both sides.



## 6. Roof felt

Lay the roofing felt on the roof with an overhang all round. Fold the felt down at the front and secure using 8 x 10mm felt nails to the felt batten. Tension the felt over the roof and fold down at the back and secure to the back panel using 8 x 10mm felt nails. Dress down each end of the felt and secure to the side panels using 7 x 10mm felt nails per end. Once the felt is secure trim of any excess felt.

