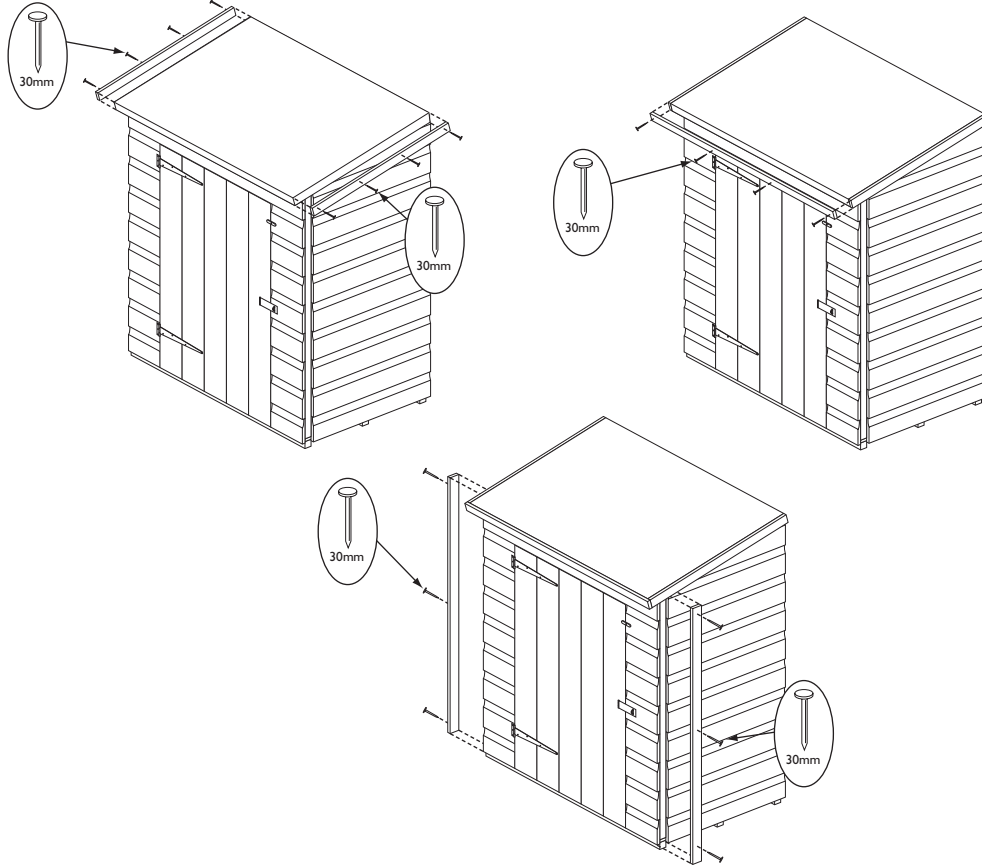


## 7. Bargeboards & coverstrips

Attach a short bargeboard to each side of the roof, ensure the top and front edges are flush with the roof line and secure each board in place using 4 x 30mm nails as shown. Attach the front bargeboard to the front of the roof make sure it is flush to the roof line use 4 x 30mm nails. Fit a coverstrip into each of the two front corners and secure with 3 x 30mm nails per strip.



## Important information

### Timber Information.

As timber is a natural material, there are certain weather conditions that may affect the materials properties. In times of excessive dry spells the material may lose some of its internal moisture causing a certain degree of shrinkage on a panel and in periods of excessive rain there will be a certain amount of swelling throughout the wooden panels. This process can not be avoided. If you have problems with certain boards shrinking in dry spells try to decrease the amount of direct sunlight on the building or the amount of air passing over the building. During hot spells spray water directly onto the panels with the aid of a garden hose.

If in doubt of any aspect regarding the assembly, use or safety of your Patio Store please contact us :

**Help Line: (Normal Office Hours) 01829 261 121**

**Email: support@rowgar.co.uk**

ROWLINSON GARDEN PRODUCTS LIMITED  
Green Lane  
Wardle Nr. Nantwich  
Cheshire  
CW5 6BN  
[www.rowgar.co.uk](http://www.rowgar.co.uk)

We constantly improve the quality of our products, occasionally the components may differ from the components shown and are only correct at time of printing. We reserve the right to change the specification of our products without prior notice.

2018 © Rowlinson Garden Products Ltd

# Shiplap Patio Mini Store

# English SS431A

## Assembly Instructions

### Before assembly

- We recommend that time is taken to read the instructions before starting assembly, then follow the easy step by step guide. The instruction sheet is only a guide to the assembly. Certain items may not be shown to scale.
- Check all components prior to assembly
- This product should be assembled by no less than two people
- Drill all components where indicated

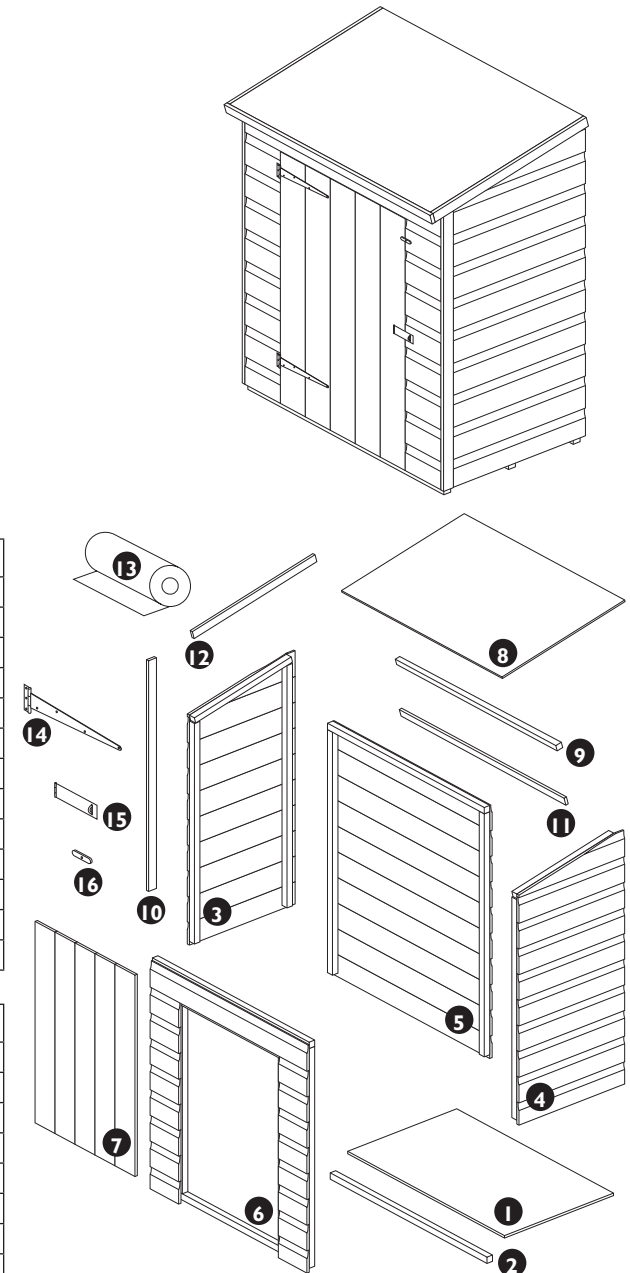


### Recommended tools for assembly

- Powered drill/driver
- Cross head screwdriver bit
- 3mm drill bit
- Hammer
- Sharp knife

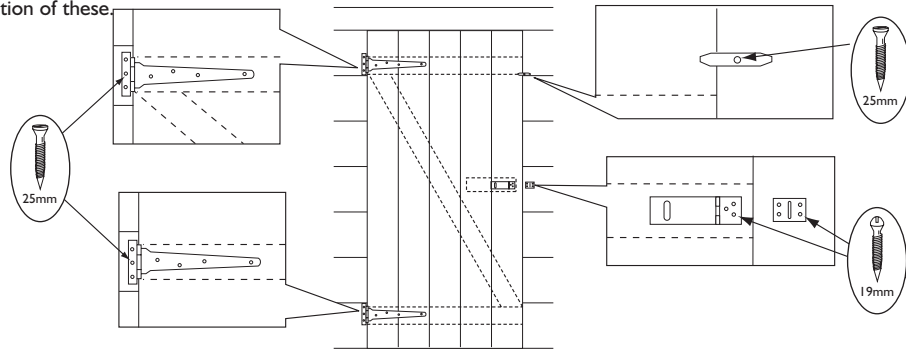
No.	Components	Qty.
1	Floor (11 x 557 x 879mm)	1
2	Floor frame (29 x 29 x 879mm)	3
3	Side panel left	1
4	Side panel right	1
5	Back panel	1
6	Front panel	1
7	Door	1
8	Roof (8 x 625 x 900mm)	1
9	Felt Batten (29 x 29 x 900mm)	1
10	Coverstrip (12 x 40 x 1025mm)	2
11	Front bargeboard (12 x 48 x 935mm)	1
12	Side bargeboards (12 x 48 x 635mm)	2
13	Roof felt roll	1

No.	Fixing kit	Qty.
14	T-hinges	2
15	Hasp and staple	1
16	Turn button	1
17	50mm screws	14
18	25mm screws	15
19	19mm round head screws	7
20	30mm nails	61
21	10mm felt nails	30



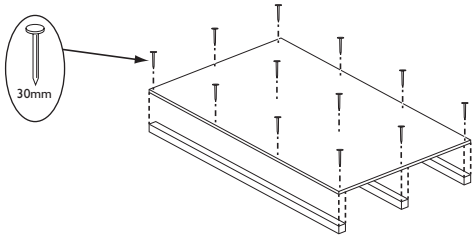
## 1. Door

Lay the front panel flat on the ground. Place door into position. Fix the two T-hinges to the door with 4 x 25mm screws per hinge. Secure the hinges to the door frame using 3 x 25mm screws per hinge. Fit the turn button to the door frame using 1 x 25mm screw and then fit the hasp and staple with 7 x 19mm roundhead screws, see the diagram below for the position of these.



## 2. Floor

Attach the three floor frames to the floor using 4 x 30mm nails per frame. Have the two outer frames flush with the edge of the floor and centre the middle bearer. Nail through the floor into the frames.

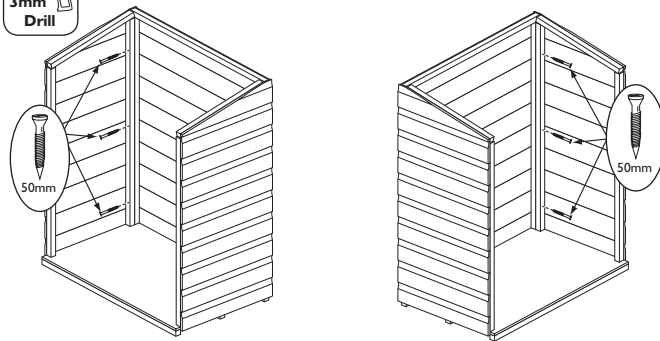


## 3. Wall panels

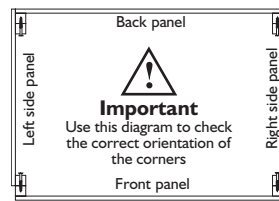
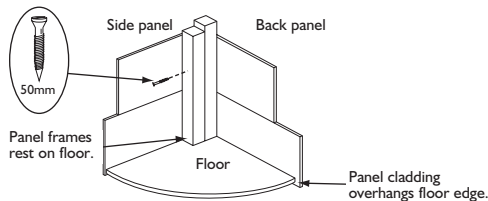
Position the back panel and the left-hand side panel as shown. Note how the panel frames sit on the floor with the panel cladding overhanging the floor edge. Ensure square and secure using 3 x 50mm screws through the frame of the side panel, into the frame of the back panel. Repeat for other side panel and then add the front panel in the same way as the back.



Drill pilot hole for each screw in this section.

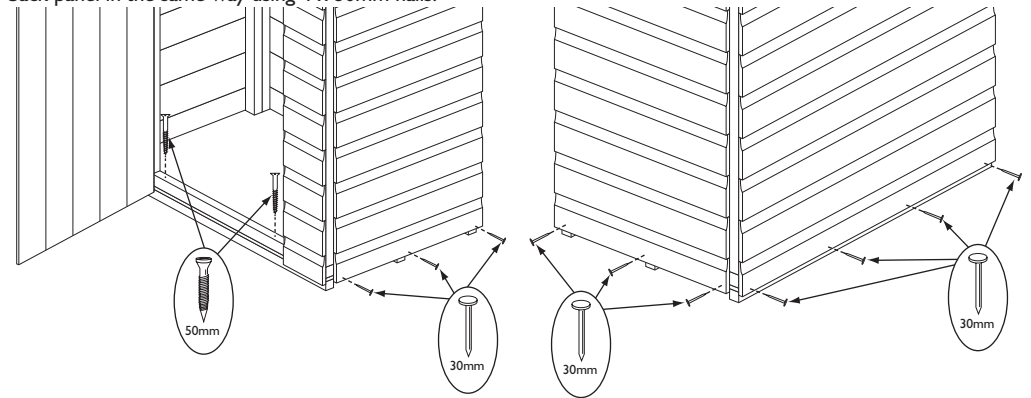


**Note:**  
Secure front panel to the sides in the same way as the back.



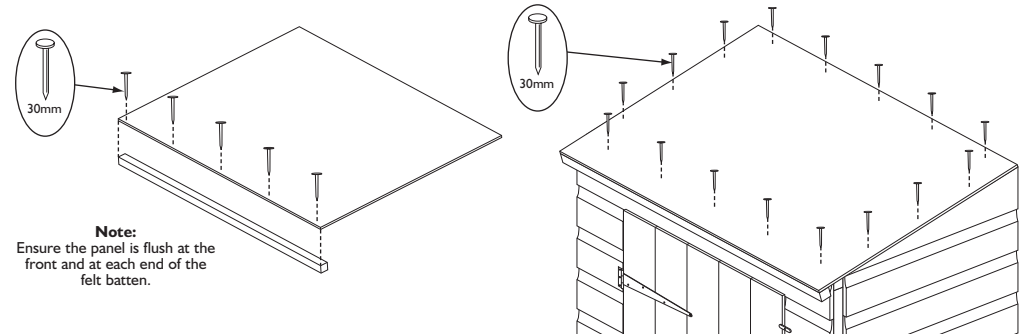
## 4. Secure walls to floor

Secure the front panel to the floor using 2 x 50mm screws. Screw through the bottom frame of the front panel into the floor. For the side panels, nail through the panel cladding into the floor frames using 3 x 30mm nails per side. Secure the back panel in the same way using 4 x 30mm nails.



## 5. Roof

Fix the roof panel flush to the felt batten as shown, using 5 x 30mm nails, nail through the roof into the batten. Lift the roof onto the assembly with the felt batten at the front. Ensure the roof is flush at the sides and back of the store and secure in place using 5 x 30mm nails along the front and back, 3 x 30mm nails on both sides.



**Note:**  
Ensure the panel is flush at the front and at each end of the felt batten.

## 6. Roof felt

Lay the roofing felt on the roof with an overhang all round. Fold the felt down at the front and secure using 8 x 10mm felt nails to the felt batten. Tension the felt over the roof and fold down at the back and secure to the back panel using 8 x 10mm felt nails. Dress down each end of the felt and secure to the side panels using 7 x 10mm felt nails per end. Once the felt is secure trim of any excess felt.

