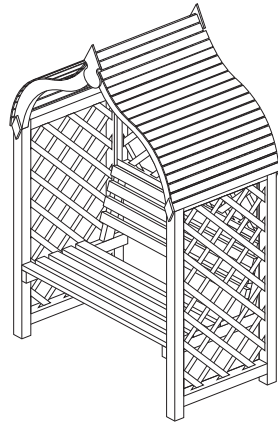


Jaipur Arbour

English SS100D

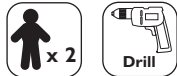
Help Line (Normal Office Hours) 01829 261 121

Assembly Instructions



Before assembly

- We recommend that time is taken to read the instructions before starting assembly, then follow the easy step by step guide. The instruction sheet is only a guide to the assembly. Certain items may not be shown to scale.
- Check all components prior to assembly
- Drill all components where indicated.
- This product should be assembled by no less than two people.
- Never attempt to erect the assembly in high winds.

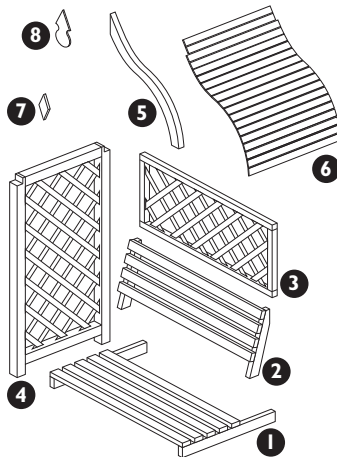


Recommended tools for assembly

- Cross head screw driver
- Drill with 2mm diameter drill bit
- Step ladder

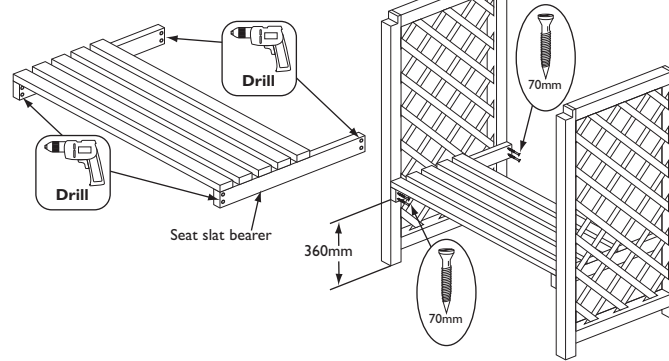
No.	Components	Qty.
1	Seat	1
2	Seat back	1
3	Back lattice	1
4	Uprights	2
5	Roof Rafters	4
6	Roof slat section	2
7	Diamond finials	4
8	Apex finials	2

No.	Fixing Kit	Qty.
9	Screws 70mm	14
10	Screws 40mm	112
11	L-brackets	2



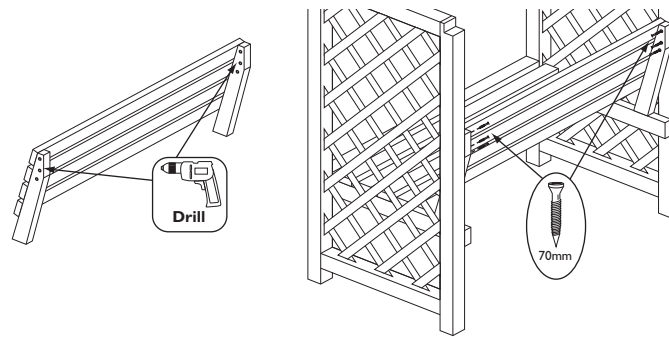
1. Seat to uprights

Drill four holes in each seat slat bearer as shown in the diagram. Position the seat between the two uprights, 360mm from the bottom of the upright. Secure through the drilled holes into the upright legs using 8 x 70mm screws.



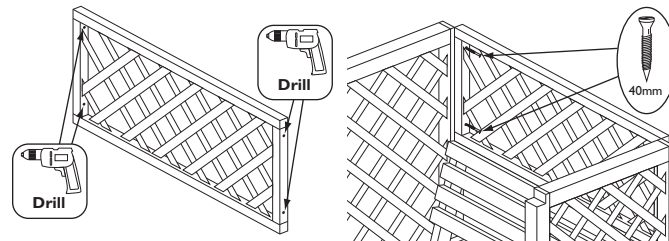
2. Seat back to uprights

Drill six holes in the seat back as shown in the diagram. Place the seat back on the seat between the two uprights. Secure through the drilled holes into the legs of the uprights using 4 x 70mm screws.



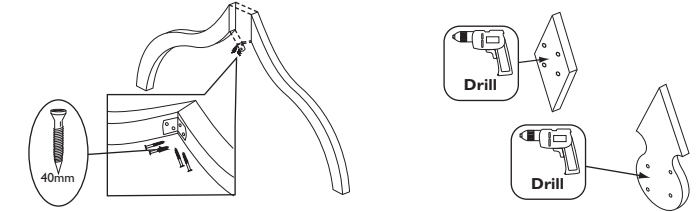
3. Back lattice to uprights

Drill four holes in the back lattice as shown in the diagram. Sit the back lattice on the top of the seat back. Secure through the drilled holes into the legs of the uprights using 4 x 40mm screws.



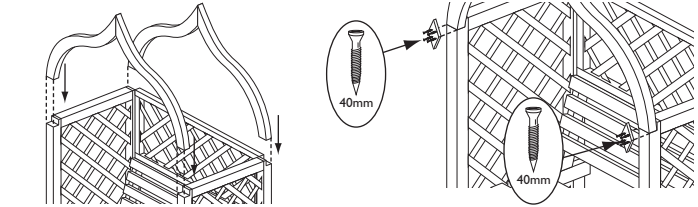
4. Roof rafter Assembly

Secure the ends of 2 roof rafters together using an L-bracket fixed to the underside of the rafters with 4 x 40mm screws as shown below. Repeat with the remaining 2 rafters. Drill 4 holes in all the finials as shown.



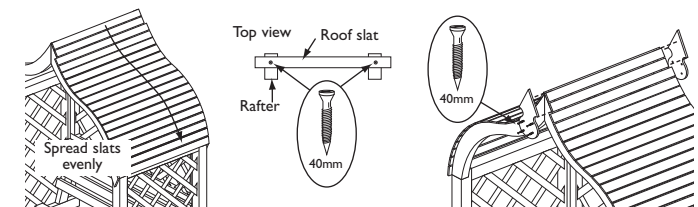
5. Roof rafters to uprights

Sit a rafter onto the front rebates of the uprights. Secure 2 diamond finials over the 2 joins of the rafter and upright using 4 x 40mm screws per finial. Secure the second rafter in the back rebates of the uprights in the same way.



6. Roof slats

Lay a slat section on 1 side of the roof with the 2 shorter slats at the apex. Spread the slats out evenly and secure using 2 x 40mm screws per slat, screw through the slat and into the rafters. Repeat for the other side of the roof. Attach the apex finials on the front and back at the roof apex using 4 x 40mm screws per finial.



**IMPORTANT: RETAIN FOR FUTURE REFERENCE
READ CAREFULLY**

Periodically check all fastenings for tightness
For domestic use only

We constantly improve the quality of our products, occasionally the components may differ from the components shown and are only correct at time of printing. We reserve the right to change the specification of our products without prior notice.

2010 © Rowlinson Garden Products Ltd