


**Before assembly**

- We recommend that time is taken to read the instructions before starting assembly, then follow the easy step by step guide. The instruction sheet is only a guide to the assembly. Certain items may not be shown to scale.
- Check all components prior to assembly
- This product should be assembled by no less than two people.
- Never attempt to erect the assembly in high winds.

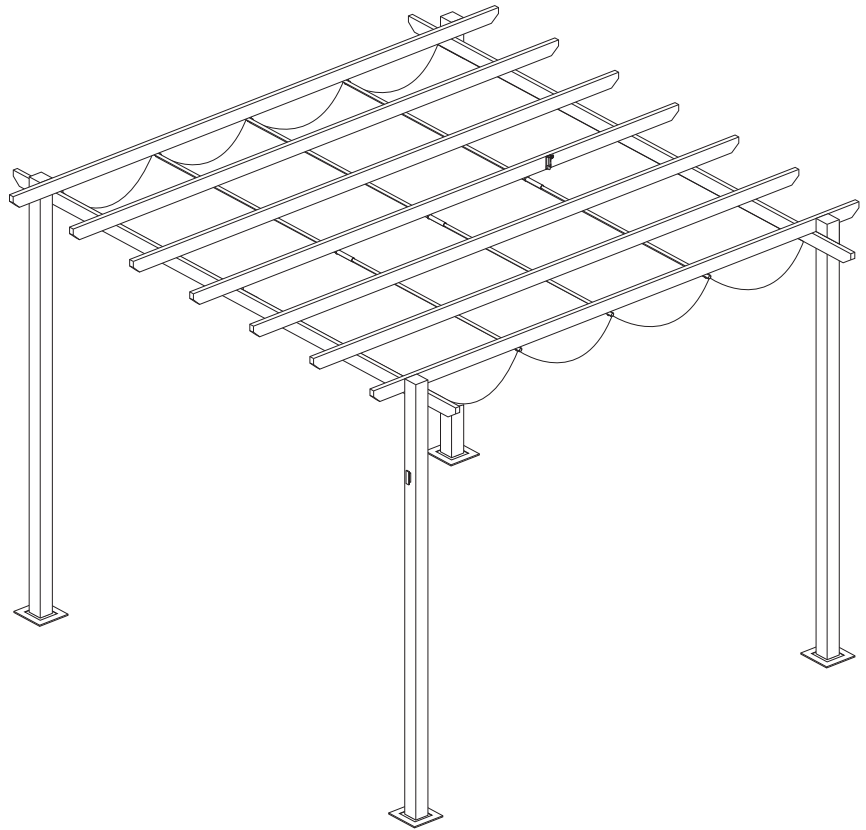


**Recommended tools for assembly**

- Step ladder
- Alan keys (provided)



**Caution**  
When connecting components that use the spring button. Please ensure the button is properly located in the hole.

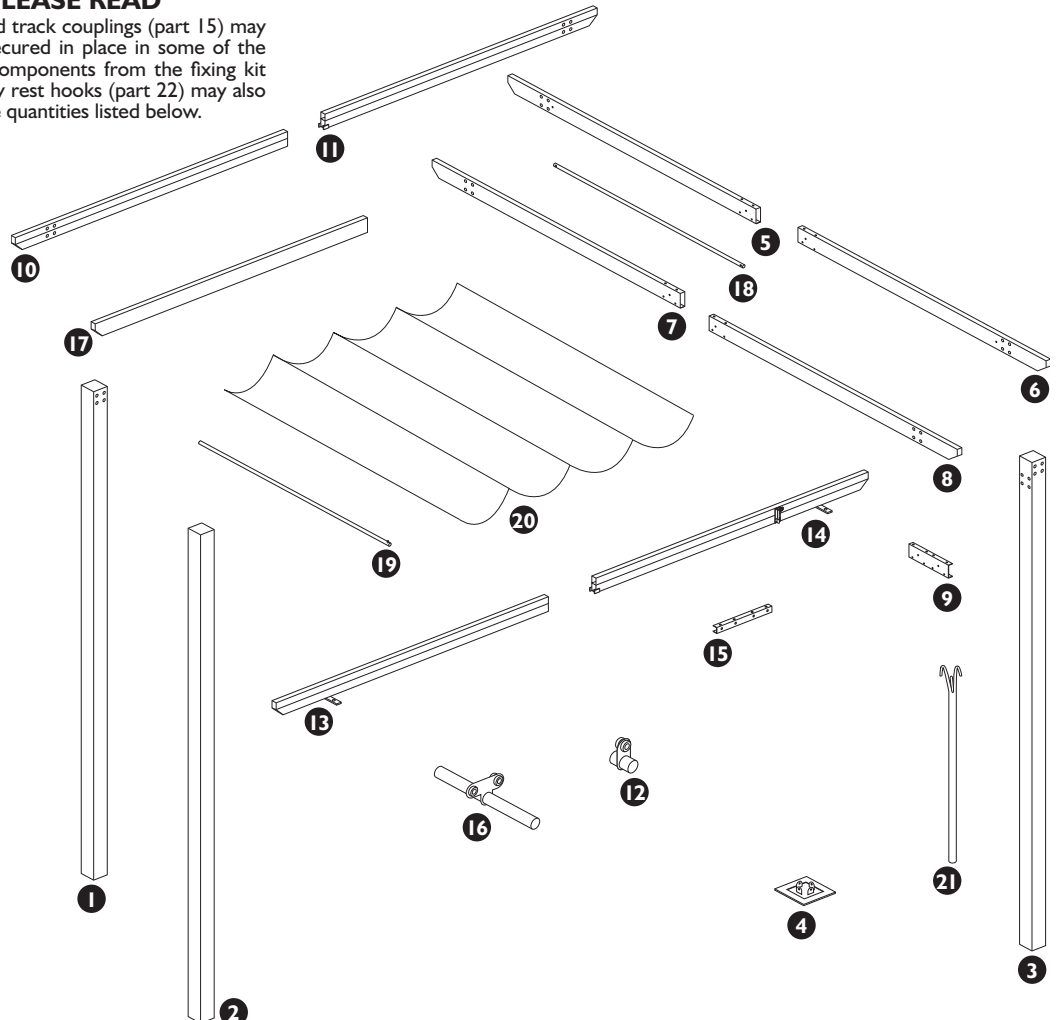


**\* IMPORTANT NOTE PLEASE READ**

The rafter couplings (part 9) and track couplings (part 15) may have been pre- inserted and secured in place in some of the rafter and track halves, using components from the fixing kit blow. One of the plastic canopy rest hooks (part 22) may also be pre-fitted. This will effect the quantities listed below.

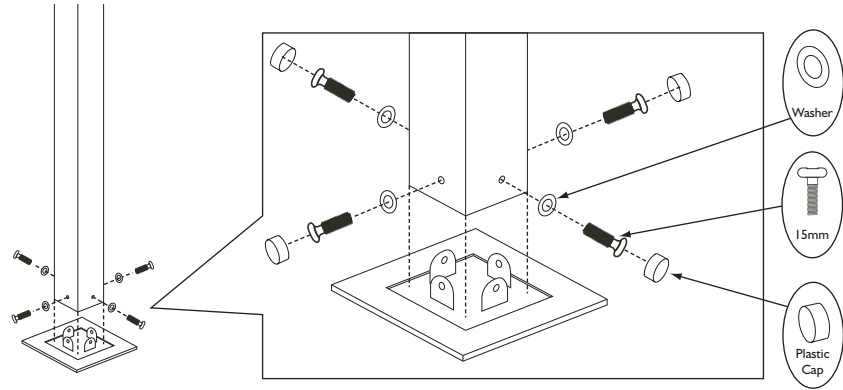
No.	Components	Qty.
1	Front left/rear right leg	2
2	Front right leg	1
3	Rear left leg	2
4	Foot plate	4
5	Left rear rafter half (1980mm)	1
6	Right rear rafter half (1980mm)	1
7	Left front rafter half (1980mm)	1
8	Right front rafter half (1980mm)	1
9	Rafter coupling*	6
10	Front left/rear right out track half	2
11	Front right/rear left out track half	2
12	Outer track runner	8
13	Front centre track half	1
14	Rear centre track half with bolt	1
15	Track coupling*	2
16	Centre track runner	4
17	Plain rafter half (1480mm)	8
18	Fixed canopy tube	2
19	Canopy tubes (with spring button)	8
20	Polyester canopy	1
21	Canopy hook tool	1

No.	Fixing Kit	Qty.
22	Plastic canopy rest hooks*	2
23	85mm M6 bolt	8
24	35mm M6 bolt	4
25	15mm M6 bolt	74
26	15mm barrel bolts	32
27	Washers	84
28	Plastic caps	86
29	M6 allen key	1
30	M4 allen key	1



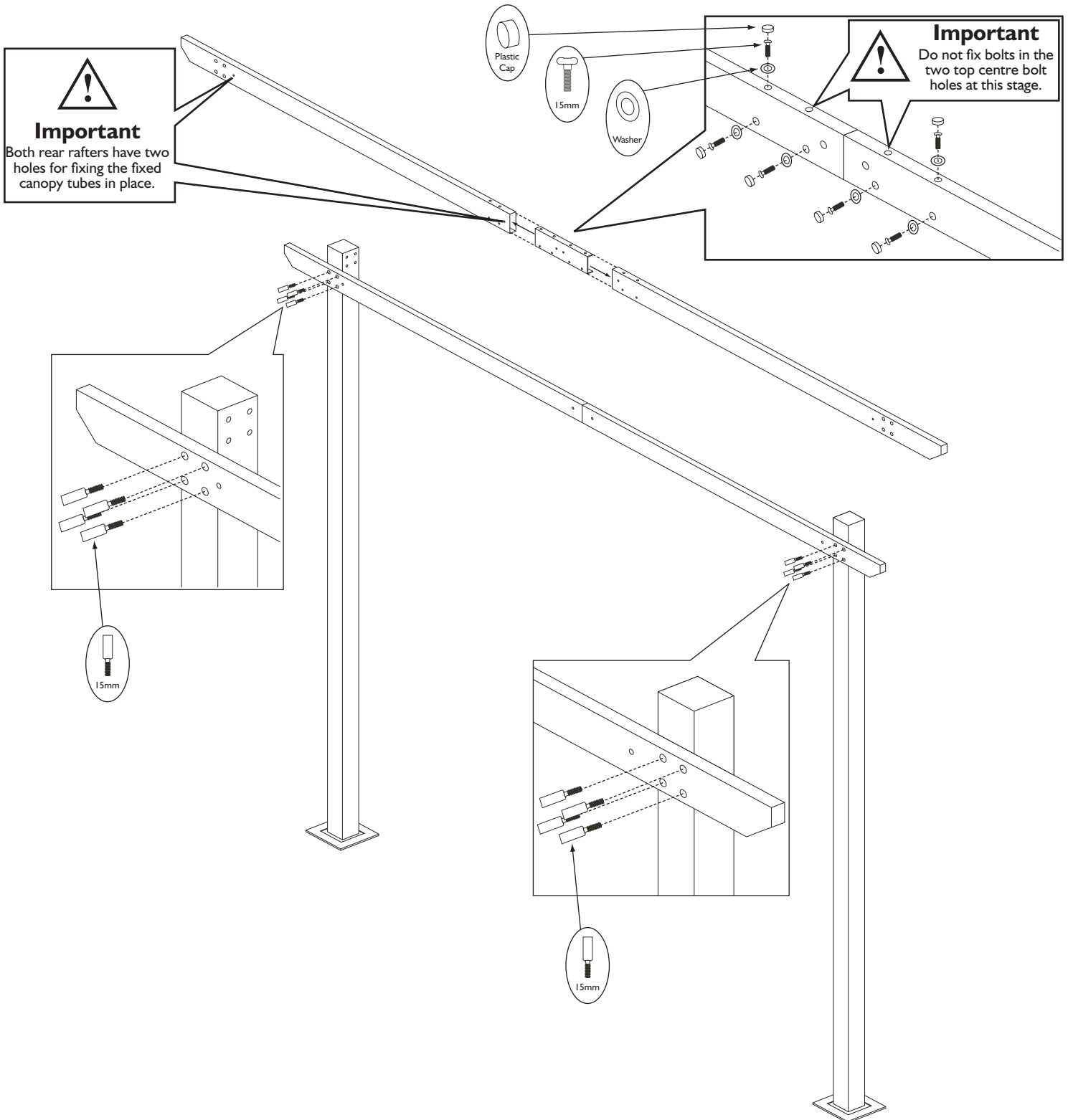
## 1. Feet

To the bottom of each leg, insert the tabs of the foot plates. Align the holes and secure in place using 4 x 15mm bolts and washers. With all bolts in place clip a black plastic cap over the head of each bolt.



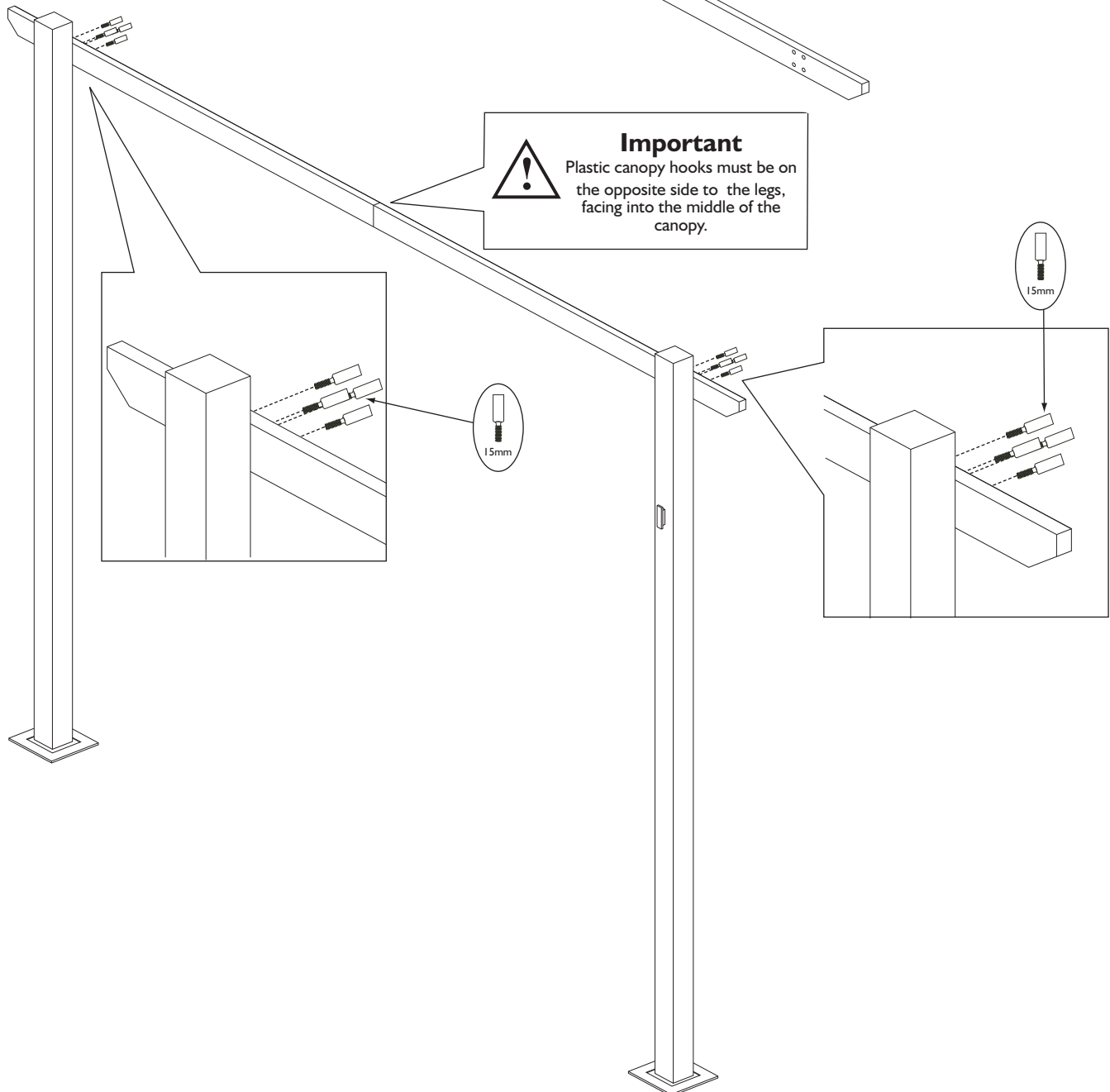
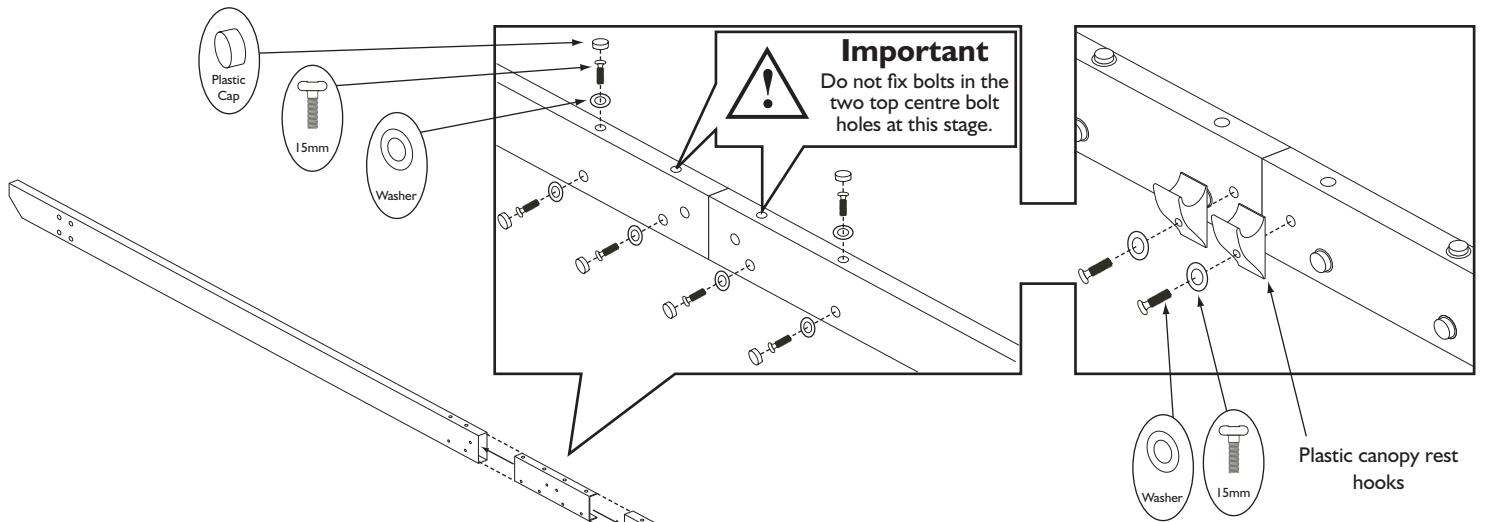
## 2. Rear rafter

Connect the rear rafter halves together using a rafter coupling. Insert the coupling and secure in place using 6 x 15mm bolts and washers. It is important to note at this stage not to insert a bolt into the two top centre holes. When the bolts are secured clip a black plastic cap over the head of each bolt. Attach the two rear legs using 4 x 15mm barrel bolts per leg.



### 3. Front rafter

Connect the front rafter halves together using a rafter coupling. Insert the coupling and secure in place using 6 x 15mm bolts and washers. It is important to note at this stage not to insert a bolt into the two top centre holes. When the bolts are secured clip a black plastic cap over the head of each bolt. Bolt the two plastic canopy rest hooks to the two centre holes in the front rafter using 1 x 15mm bolt and a washer per hook. Attach the two front legs using 4 x 15mm barrel bolts per leg.



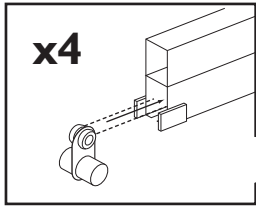
#### 4. Outer tracks and runners

Insert four runners into each of the two rear halves of the outer track sections. Connect the front halves of the track to the rear halves using a track coupling and 8 x 15mm bolts and washers. Insert the coupling into the upper tube of the track. Secure in place using 8 x 15mm bolts for each join. With all bolts in place clip a black plastic cap over the head of each bolt. Lift the outer tracks up onto the leg assemblies. Secure in place using 4 x 15 barrel bolts per leg.



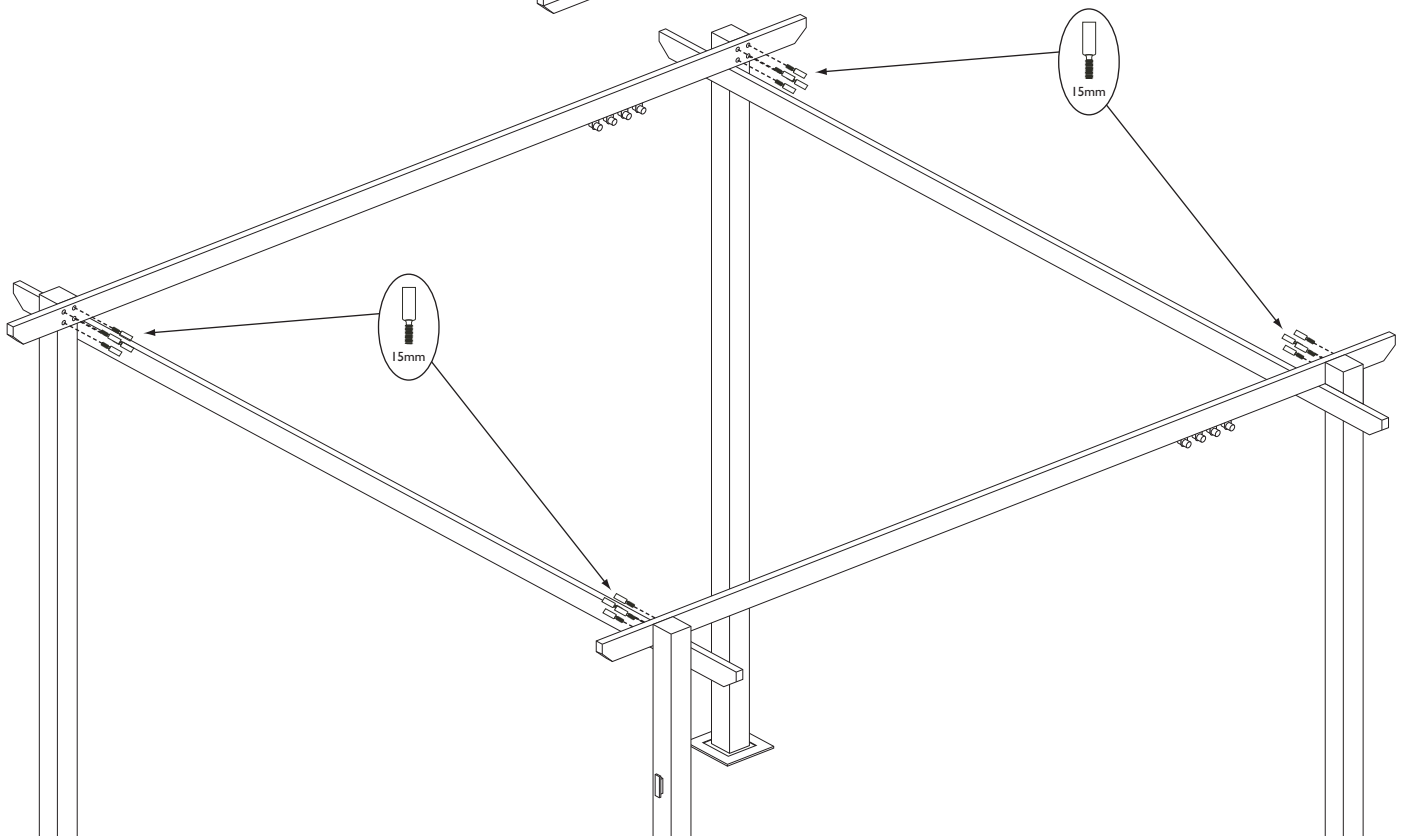
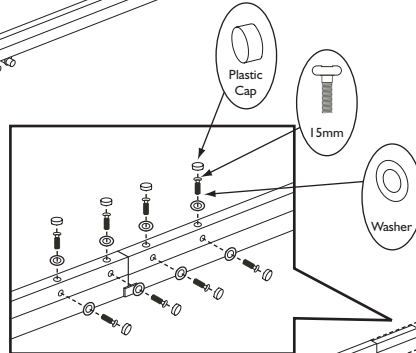
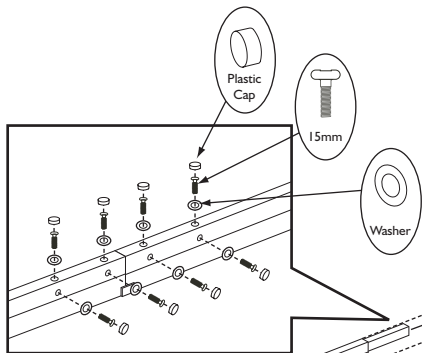
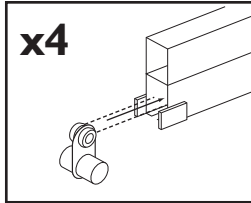
#### Important

Ensure 4 outer track runners are inserted before joining the two halves of the track sections.



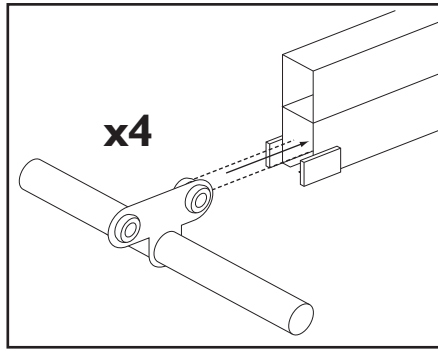
#### Important

Ensure 4 outer track runners are inserted before joining the two halves of the track sections.

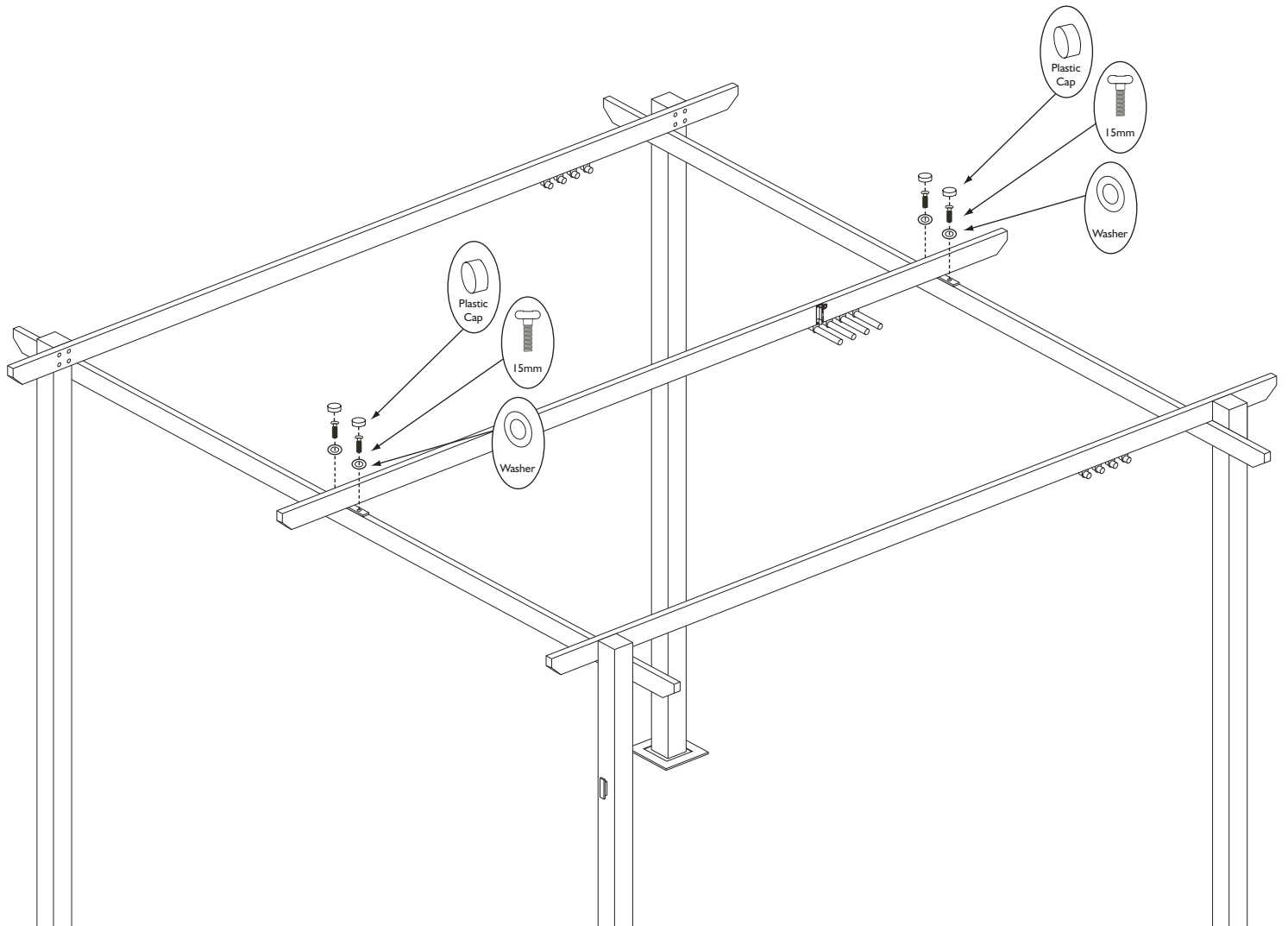
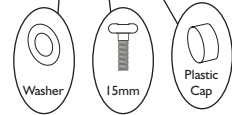
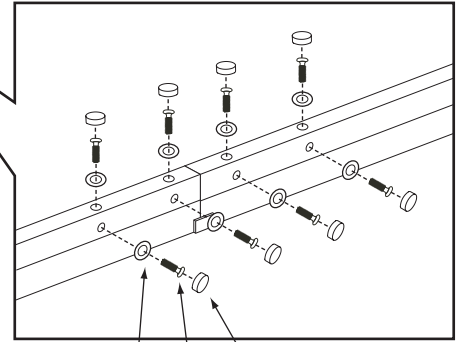
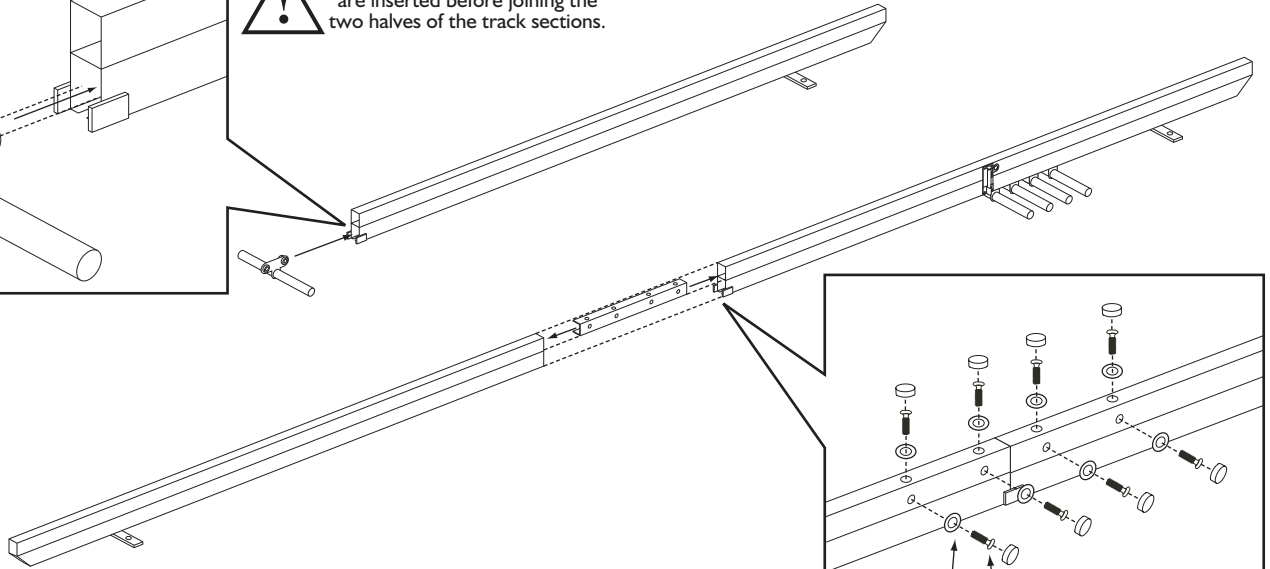


## 5. Centre tracks and runners

Insert the four centre track runners into the rear half of the centre track, Insert a track coupling into the upper tube of the centre track and connect the front half of the centre track to the rear half using 8 x 15mm bolts and washers. Lift the centre track up onto the front and rear frames. Secure to the front and rear rafters using 4 x 15mm bolts and washers. With all bolts in place clip a black plastic cap over the head of each bolt.

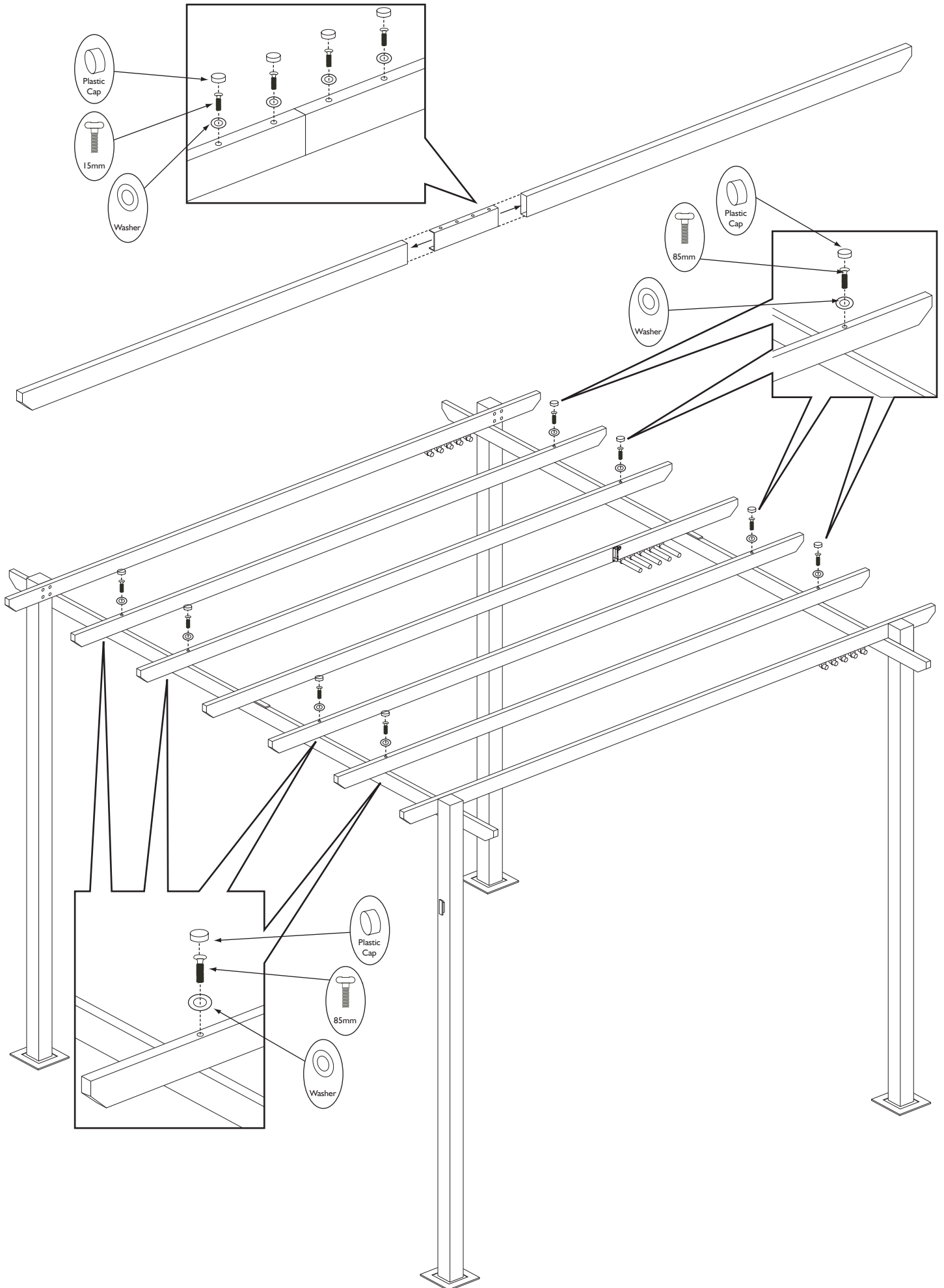


**Important**  
Ensure 4 centre track runners are inserted before joining the two halves of the track sections.



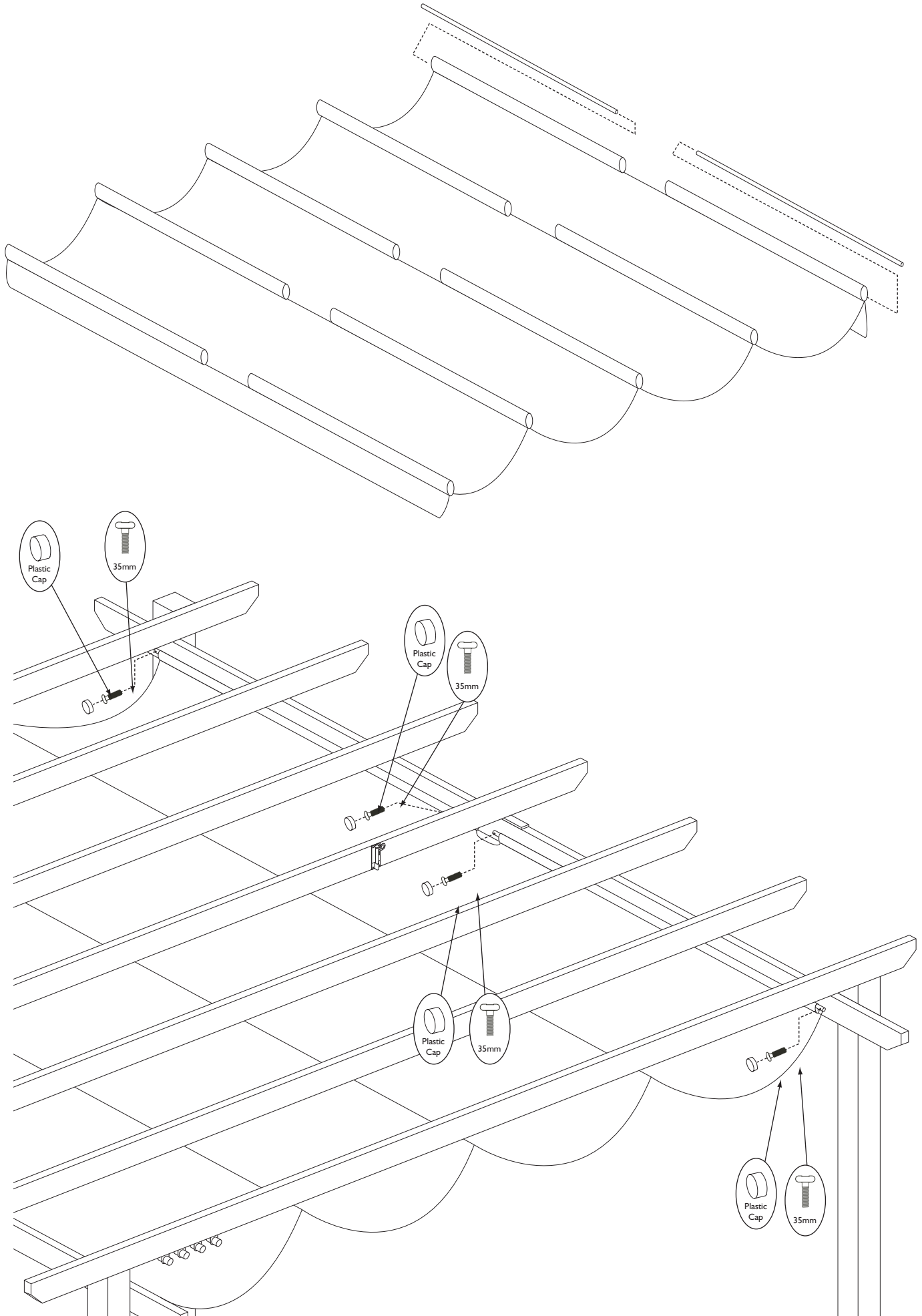
## 6. Plain rafters

Connect the four pairs plain of rafter halves together using a coupling, 8 x 15mm bolts and washers. With all bolts in place clip a black plastic cap over the head of each bolt. Place each rafter onto the assembly and secure in place using 2 x 85mm bolts per rafter. Push the bolt through the holes in the top of the rafters and secure in the holes on the tops of the front and rear rafters.



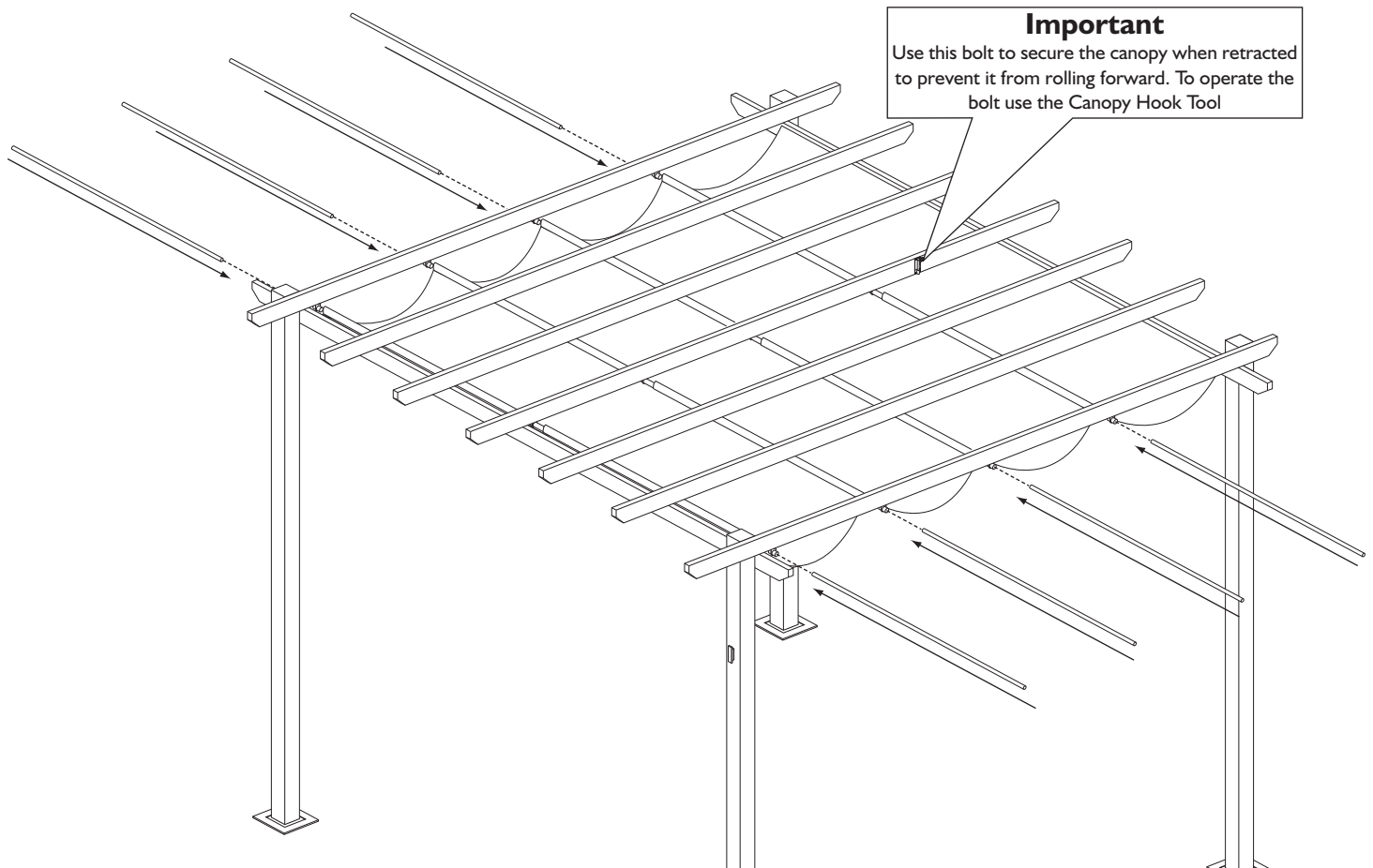
## 7. Attaching the canopy and fixed canopy tubes

Carefully unfold the polyester canopy and insert the two fixed canopy tubes in the end sleeves of the canopy as shown. Position the fixed canopy tubes against the inside of the rear rafter and secure each tube in place using 2 x 35mm bolts.



## 8. Attaching the polyester canopy to the runners

Push each of the eight canopy tubes with spring button, through the outer track runners then through the sleeves in the canopy and connect to the centre runners, ensuring that the push button mechanism properly locates to lock components together.



### Important information - retain for future reference

- Please ensure that the canopy is erected on a stable, level and sturdy surface.
- Ideally, the canopy should be fixed to a level concrete patio base using appropriate fixings. If the canopy is to stand on grass, it is important that the canopy is level in order to ensure a smooth retracting mechanism, and the canopy should be secured into place using fixing pegs (supplied).
- Please note that this canopy is not designed to be used as a rain shelter, despite the polyester canopy being shower proof.
- We recommend that the polyester canopy be fully retracted when not in use.
- The polyester canopy should be fully removed in anticipation of strong winds and during the winter period.
- The polyester canopy must be completely dry before storage.
- Eyelets in the canvas are drain holes to prevent water collecting and stretching the canvas.

### Maintenance

- To clean the polyester canopy, sponge clean using a mild soap and water solution and leave to dry naturally. Do not use bleach, acid or other solvents.
- Do not machine wash.
- Do not tumble dry.

### Safety

In order to gain the most from your new canopy, attention should be paid to the following safety precautions:

1. Periodically check bolts and fittings for tightness as they may work loose over time, taking care not to over-tighten fittings as this may damage the metalwork. For this reason, we do not recommend the use of power tools to assemble the canopy.
2. Please note that the metal frame is not to be used as a climbing frame.

### FIRE PRECAUTIONS

- PLEASE NOTE THAT THE CANOPY IS NOT FIRE RETARDANT AND CAN BURN
- DO NOT USE NAKED FLAMES IN THE VICINITY OF THE CANOPY
- BARBECUES AND/OR PATIO HEATERS SHOULD NOT BE USED EITHER UNDERNEATH OR IN THE VICINITY OF THE CANOPY

If in doubt of any aspect regarding the assembly, use or safety of your canopy please contact us:

**Help Line: (Normal Office Hours) 01829 261 121**

**Email: [support@rowgar.co.uk](mailto:support@rowgar.co.uk)**

ROWLINSON GARDEN PRODUCTS LIMITED  
Green Lane  
Wardle Nr. Nantwich  
Cheshire  
CW5 6BN  
[www.rowgar.co.uk](http://www.rowgar.co.uk)

We constantly improve the quality of our products, occasionally the components may differ from the components shown and are only correct at time of printing. We reserve the right to change the specification of our products without prior notice.

**2018 © Rowlinson Garden Products Ltd**