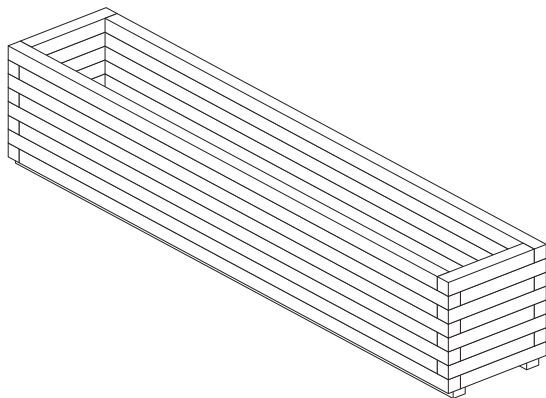


Patio Planter

English SS237B

Assembly Instructions



Before assembly

- We recommend that time is taken to read the instructions before starting assembly, then follow the easy step by step guide. The instruction sheet is only a guide to the assembly. Certain items may not be shown to scale.
- Check all components prior to assembly
- Drill all components where indicated.
- This product should be assembled by two people
- Never attempt to erect the assembly in high winds.

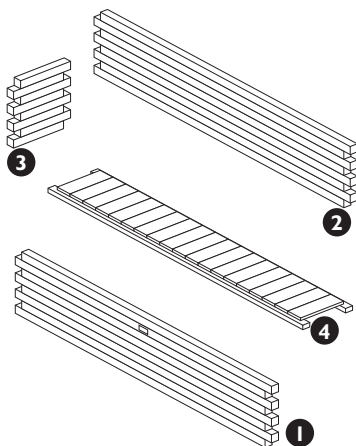


Recommended tools for assembly

- Cross head screw driver
- Drill with 2mm diameter drill bit
- Rubber mallet

No.	Components	Qty.
1	Front panel (badged)	1
2	Back panel	1
3	End panel	2
4	Floor	1

No.	Fixing Kit	Qty.
5	80mm screws	10
6	100mm Screws	8

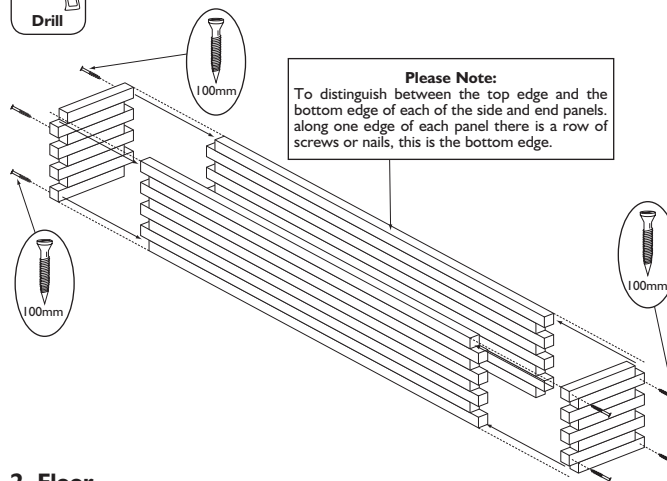


1. Connect the ends and side panels

Interlock the ends and side panels as shown. If necessary use a mallet and tap them till they are fully inter-locked. Secure using 4 x 100mm screws in each corner, screw through the end panels into the ends of the side panels.



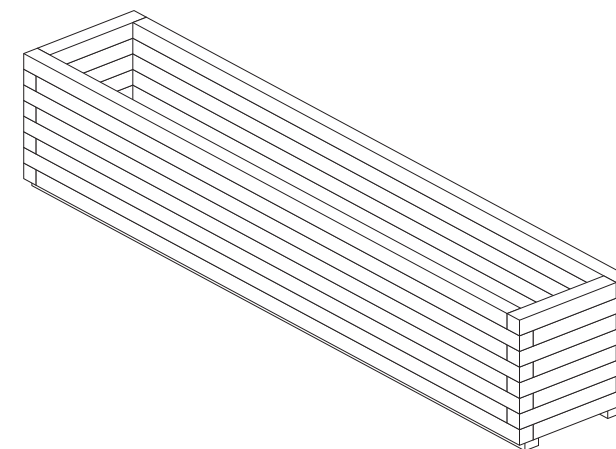
Drill pilot holes in the end panels with a 2mm drill bit for each screw in this section.



Please Note:
To distinguish between the top edge and the bottom edge of each of the side and end panels, along one edge of each panel there is a row of screws or nails, this is the bottom edge.

3. Turn planter over

With a person at each end carefully turn the planter the right way up.



2. Floor

Place the floor onto the planter, ensure that the floor boards fit within the side panels, tap into place with a mallet if necessary. Secure the floor using 10 x 80mm screws as shown



Drill pilot holes in the end panels with a 2mm drill bit for each screw in this section.

