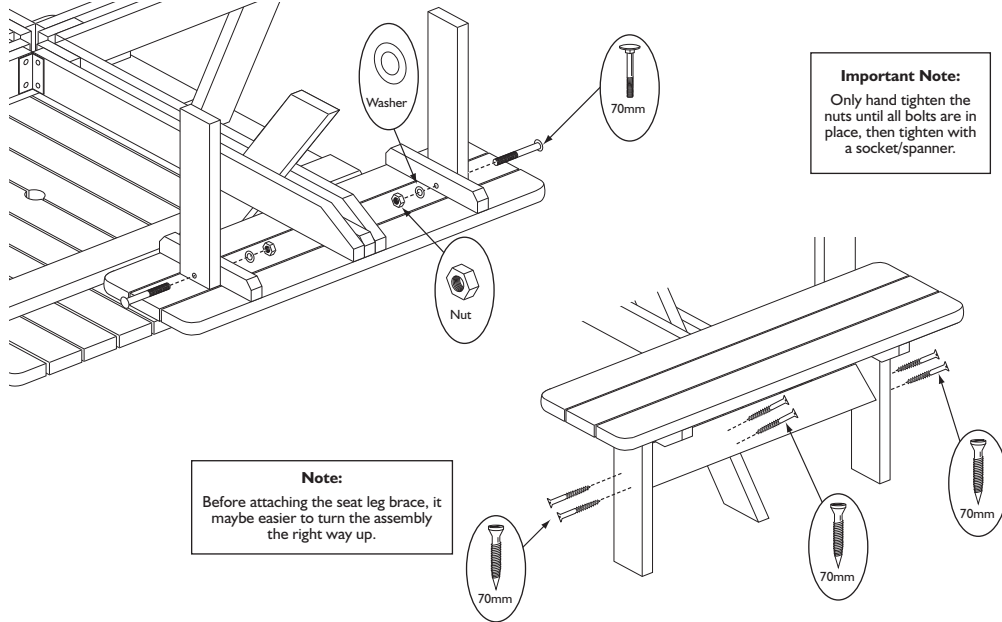


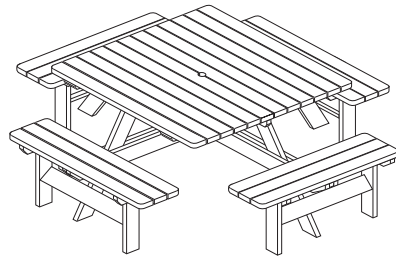
## 5. Seat legs

Attach two seat legs to each seat as shown using 1 x 70mm bolt per leg. Secure each bolt using a nut and washer. Turn the table over and position a leg brace between each set of legs. Secure through the pre-drilled holes in the legs into the ends of the braces using 4 x 70mm screws per brace. Secure the brace to the frames using 2 x 70mm screws per brace.



## 6. Tighten all bolts

To finish the assembly tighten all bolts.



## Safety information

**IMPORTANT, RETAIN FOR FUTURE REFERENCE: READ CAREFULLY**

Periodically check all fastenings for tightness  
For contract and domestic use

If in doubt of any aspect regarding the assembly, use or safety of your Picnic Bench please contact us :

**Help Line: (Normal Office Hours) 01829 261 121**

**Email: support@rowgar.co.uk**

ROWLINSON GARDEN PRODUCTS LIMITED  
Green Lane  
Wardle Nr. Nantwich  
Cheshire  
CW5 6BN  
[www.rowgar.co.uk](http://www.rowgar.co.uk)

We constantly improve the quality of our products, occasionally the components may differ from the components shown and are only correct at time of printing. We reserve the right to change the specification of our products without prior notice.

2015 © Rowlinson Garden Products Ltd

**ROWLINSON**  
GARDEN PRODUCTS

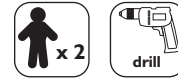
# Square Picnic Bench

**English SS375A**

## Assembly Instructions

### Before assembly

- We recommend that time is taken to read the instructions before starting assembly, then follow the easy step by step guide. The instruction sheet is only a guide to the assembly. Certain items may not be shown to scale.
- Check all components prior to assembly
- This product should be assembled by no less than two people
- Drill all components where indicated



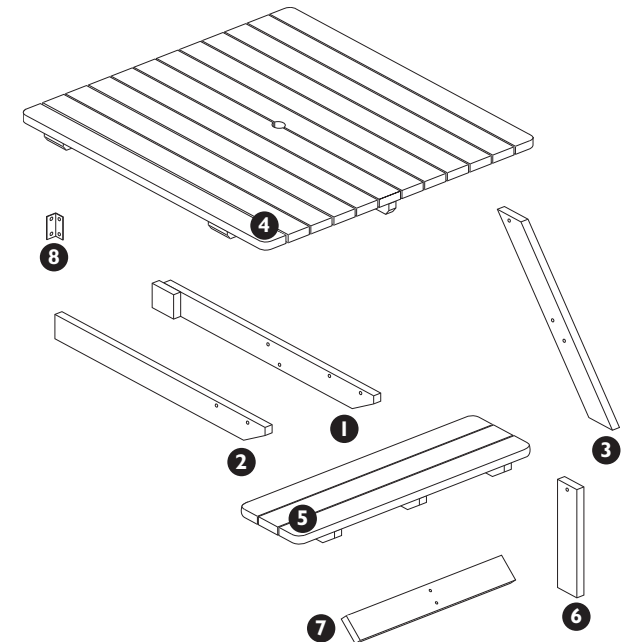
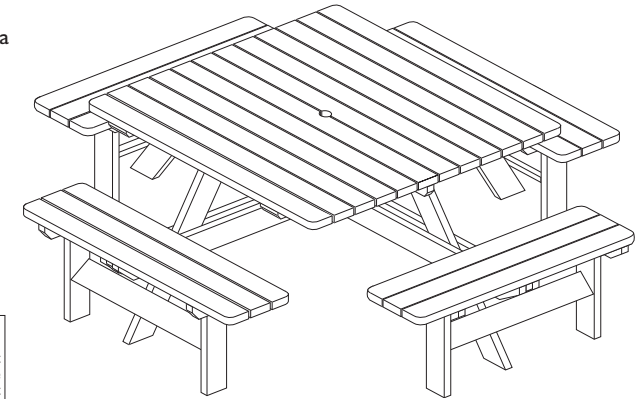
**Biocidal Products Regulation EU 528/2012**  
Wolmanit® CX treated wood is a treated article that incorporates biocidal products: copper hydroxide carbonate/II/ and boric acid. They protect wood against fungal decay /rot/ and insect attack. Keep away from food, drink and animal feeding stuffs. Avoid breathing dust when cutting treated wood.

### Recommended tools for assembly

- 10mm socket set or spanner
- Cross head screwdriver

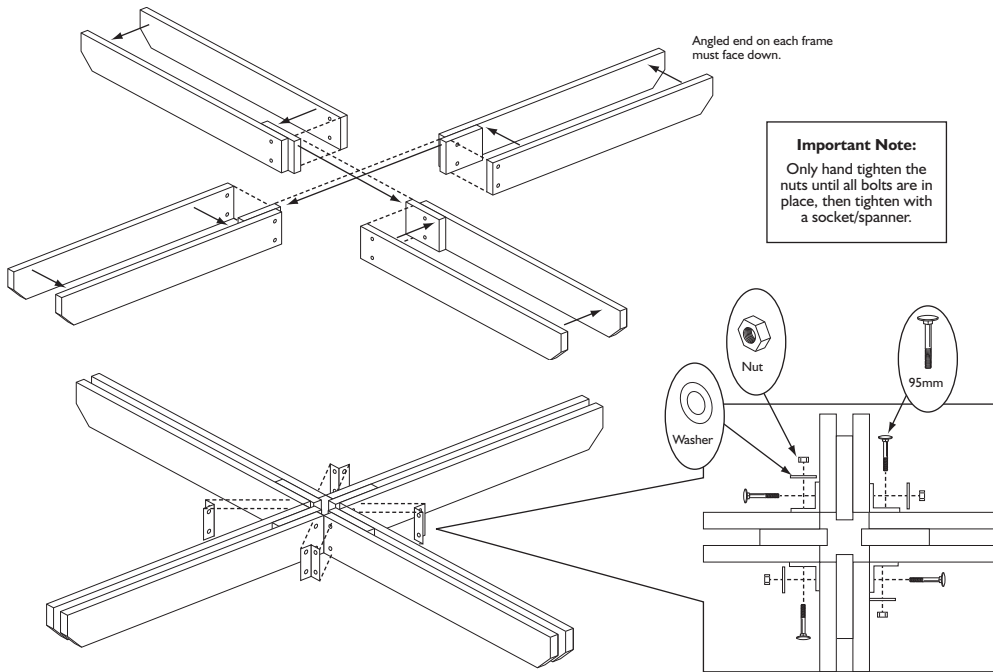
No.	Components	Qty.
1	Frame with centre block	4
2	Frame	4
3	Table leg	4
4	Table top	1
5	Seat	4
6	Seat legs	8
7	Leg brace	4

No.	Fixing kit	Qty.
8	Angle brackets	4
9	95mm bolt	24
10	70mm bolt	12
11	Dome nut	8
12	Nut	36
13	Washer	36
14	70mm screws	24



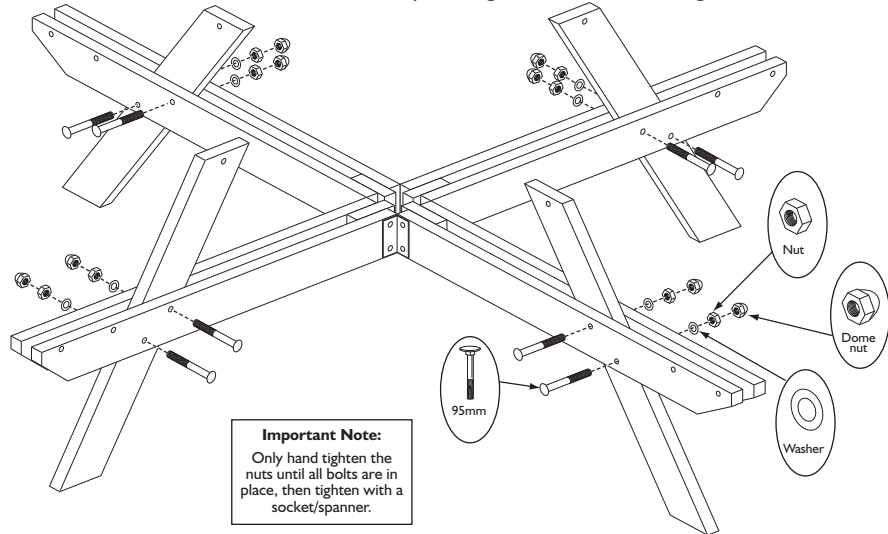
### 1. Frame assembly

Position the frames as shown. Ensure the angled end of each frame are all facing down. Into each corner position an angle bracket. Using 8 x 95mm bolts, push the bolts first through a bracket then the frames and through the bracket on the other side. Secure each one with a nut and washer. For ease of assembly only hand tighten the nuts until all bolts are in place.



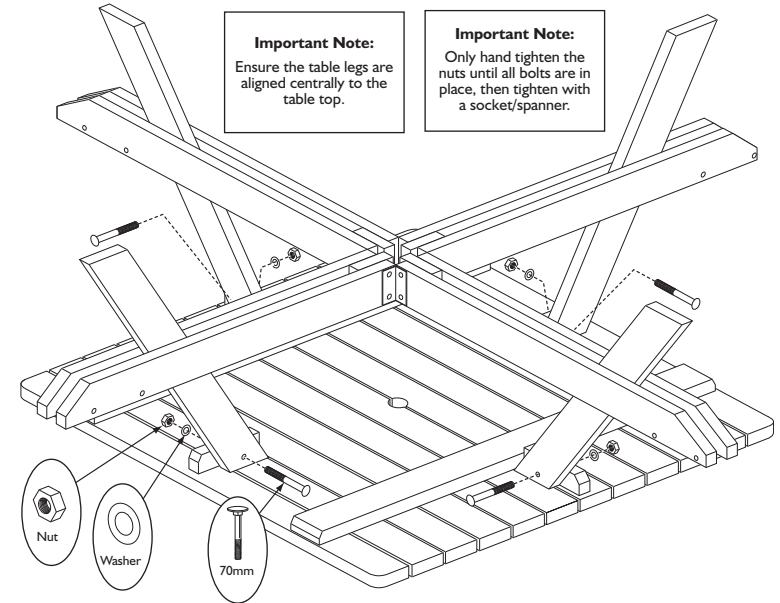
### 2. Table legs

Slide a table leg into the centre of each frame, with the top of the leg angled towards the centre of the assembly. Align the holes on the frames with the holes in the legs and secure using 2 x 95mm bolts per support. Push a bolt through each hole, and secure with a washer, nut and dome nut. Only hand tighten the nuts at this stage.



### 3. Table top

Lay the table top upside down on a soft surface to avoid scratching the top. Turn over the frame and leg assembly and position centrally onto the table top. Secure the table legs to the table using 1 x 70mm bolts per leg. Secure each bolt with a nut and washer.



### 4. seats

With the assembly still upside down, attach the four seats. Insert the middle seat bearer between the frames as shown. Align the holes and secure using 2 x 95mm bolts per seat, secure each bolt with a nut and washer.

