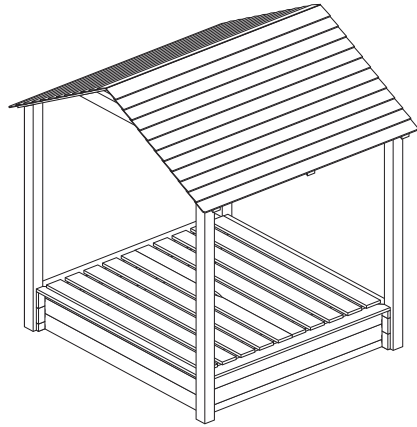


Parkland Sandpit

English SS577

Assembly Instructions



Before assembly

- We recommend that time is taken to read the instructions before starting assembly, then follow the easy step by step guide. The instruction sheet is only a guide to the assembly. Certain items may not be shown to scale.
- Check all components prior to assembly
- Drill pilot holes for every screw.
- This product should be assembled by two people
- Never attempt to erect the assembly in high winds.

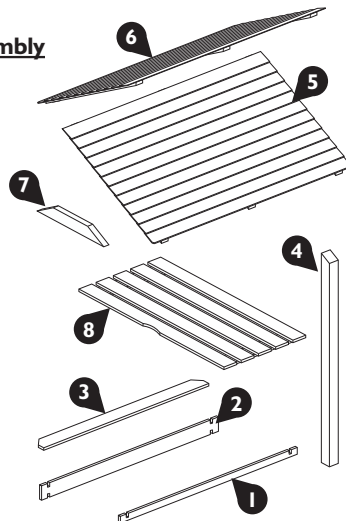


Recommended tools for assembly

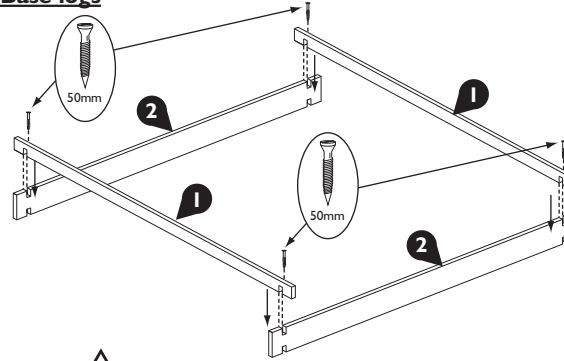
- Power drill/screwdriver
- Drill with 3mm diameter drill bit
- Crosshead screwdriver bit
- Tape measure

No.	Components	Qty.
1	Half wall log	4
2	Full wall log	8
3	Top board	4
4	Post	4
5	Right - roof panel	1
6	Left - roof panel	1
7	Roof brace	3
8	Lid	2

No.	Fixings	Qty.
4	70mm screw	10
5	50mm screw	43

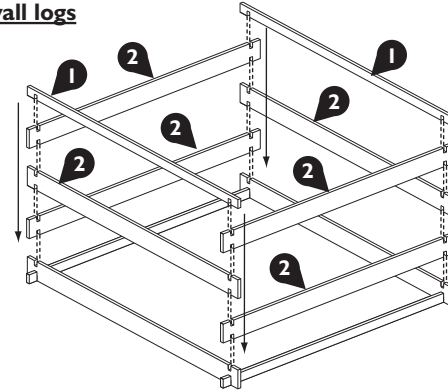


1. Base logs

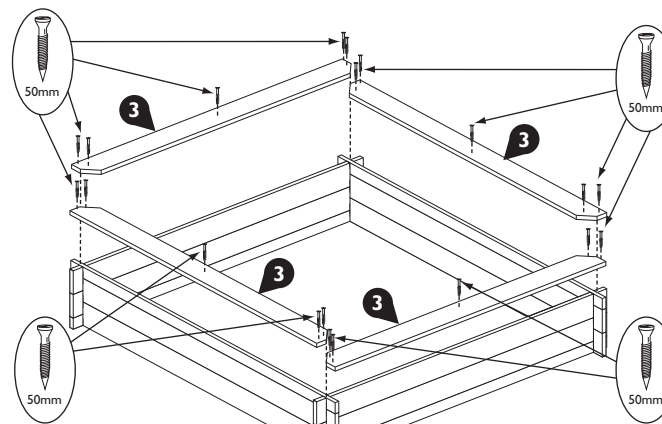


! Turn the assembly over.

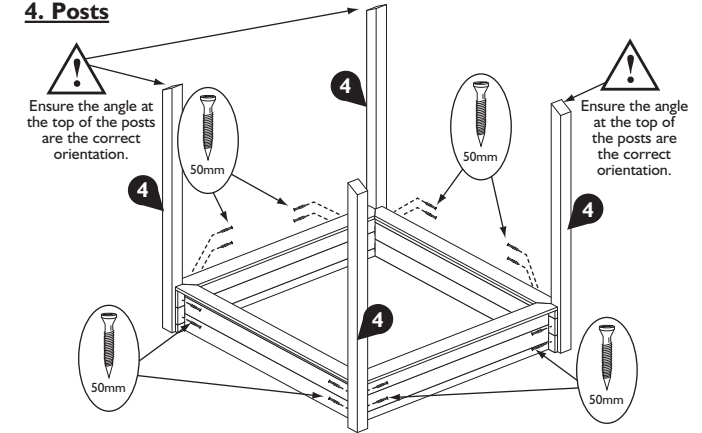
2. Full wall logs



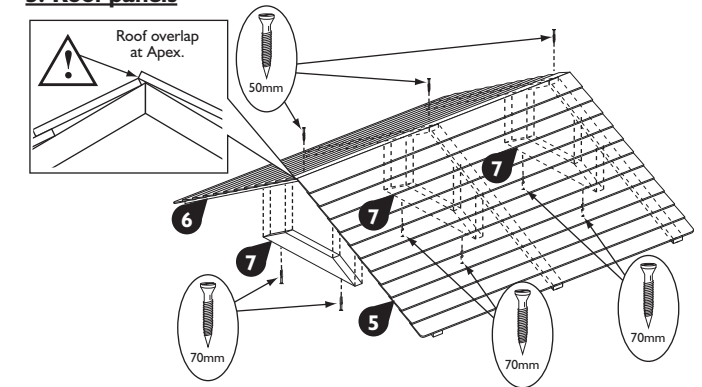
3. Top boards



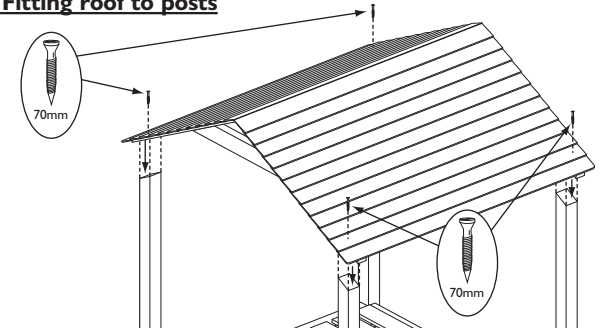
4. Posts



5. Roof panels



6. Fitting roof to posts



We constantly improve the quality of our products, occasionally the components may differ from the components shown and are only correct at time of printing. We reserve the right to change the specification of our products without prior notice.